

DeerValley Wall Mounted Bathroom Vessel Sink

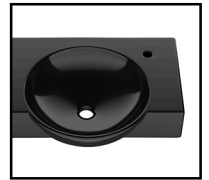
DeerValley®

Model #DV-1WS0125RB

Overall Dimension: 30 1/8" L x 18 1/8" W x 5 1/8" H

Features:

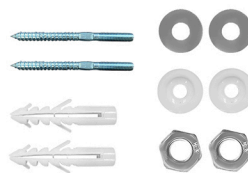
- The wall mounted bathroom sink is made of durable and smooth ceramic, a material that not only ensures the longevity of the sink, but also makes the surface easy to clean and maintain, maintaining its elegant appearance and functionality.
- This wall mount vanity sink is designed for wall-mounted installation with wall-mounted screws, which is easy to install and shows a modern appearance, making the overall bathroom look more stylish and neat.
- This sink for bathroom is cleverly designed to optimize your bathroom space by providing a practical countertop for toiletries and essentials, which not only improves the efficiency of space utilization, but also enhances the overall style and functionality.
- This black floating bathroom sink features a one-piece round bowl and countertop design, and the open space under the sink provides an additional area for storage or cleaning supplies to be placed, which greatly enhances efficiency of use.
- The faucet size is 1 3/8 inches, and the drain opening size is 1 3/4 inches. The faucet and pop-up drain are sold separately.



Package Included:



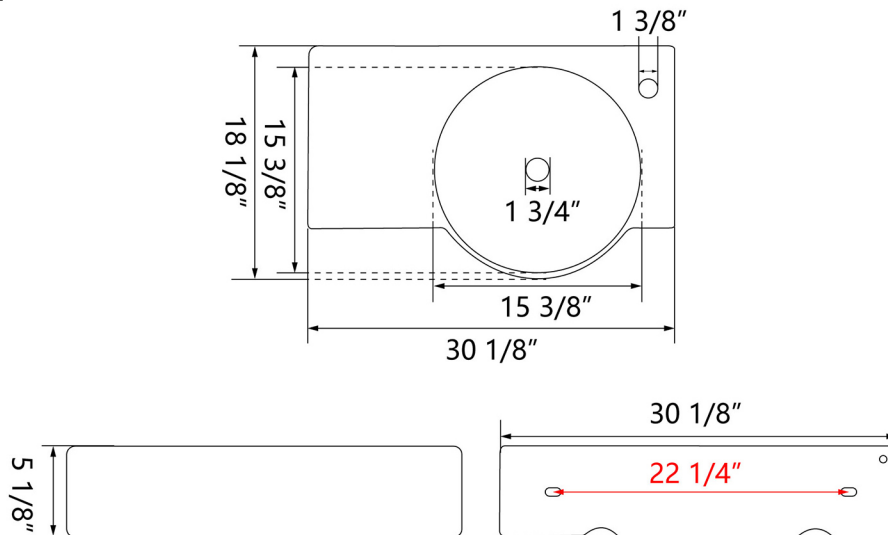
● Wall Mounted Vessel Sink



● Hardware Pack

Technical Specifications:

- + Outer: 30 1/8" L x 18 1/8" W x 5 1/8" H
- + Inner: 15 3/8" L x 15 3/8" W x 4" H
- + Weight: 43 lbs
- + Drain: 1 3/4" diameter
- + Faucet Hole: 1 3/8" diameter
- + Has Overflow Hole: No
- + Basin Location: Right side
- + Color: Black



#DV-1WS0125RB

Sinks are manually measured, so sizes may vary slightly.

1 Year Warranty

All DeerValley bathroom sinks come with our warranty within one year.

