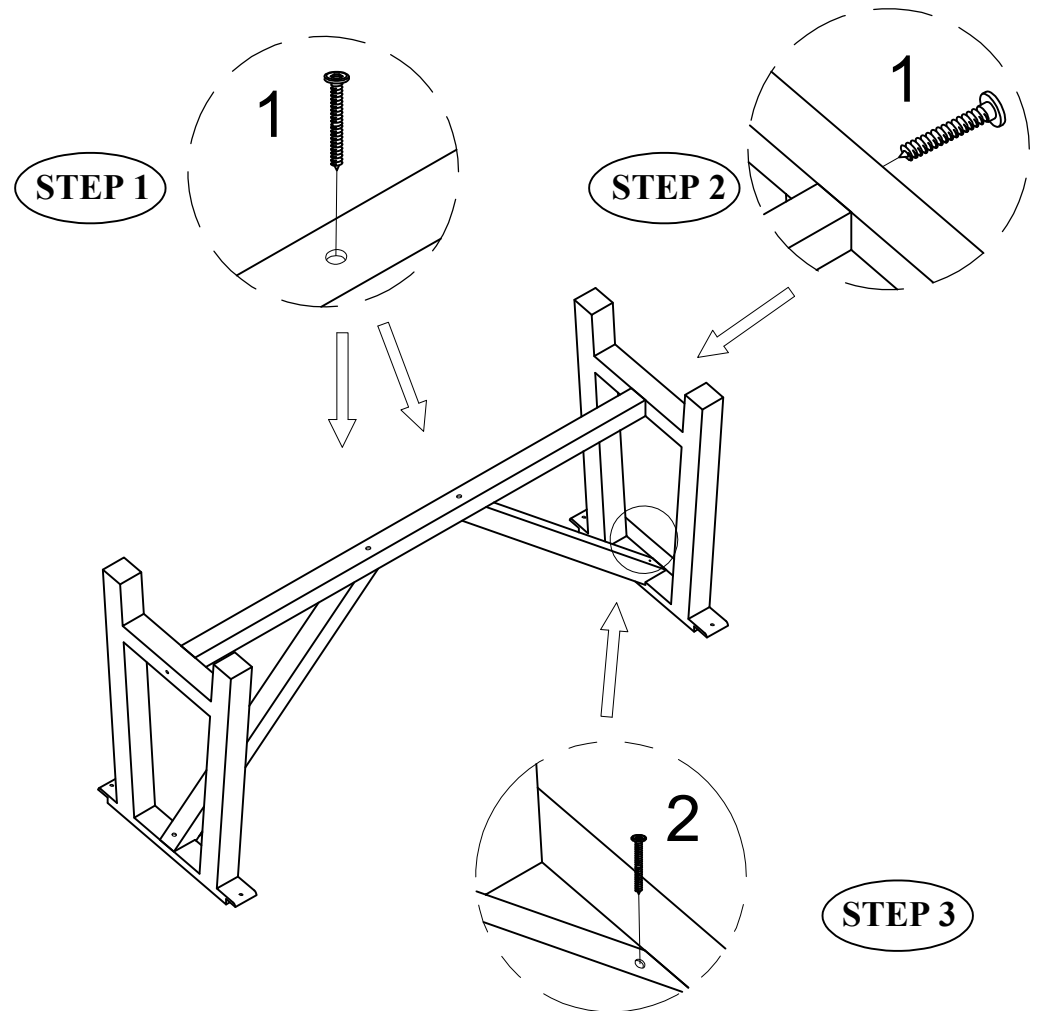
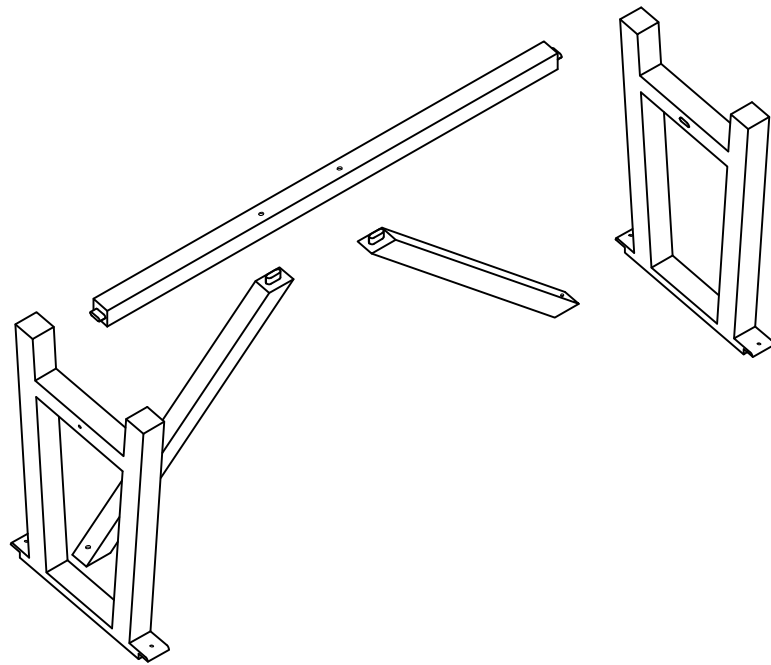


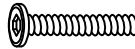

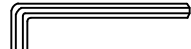


ASSMBLY INSTRUCTIONS FOR Rectangle 70" x 30" x 36'H Table

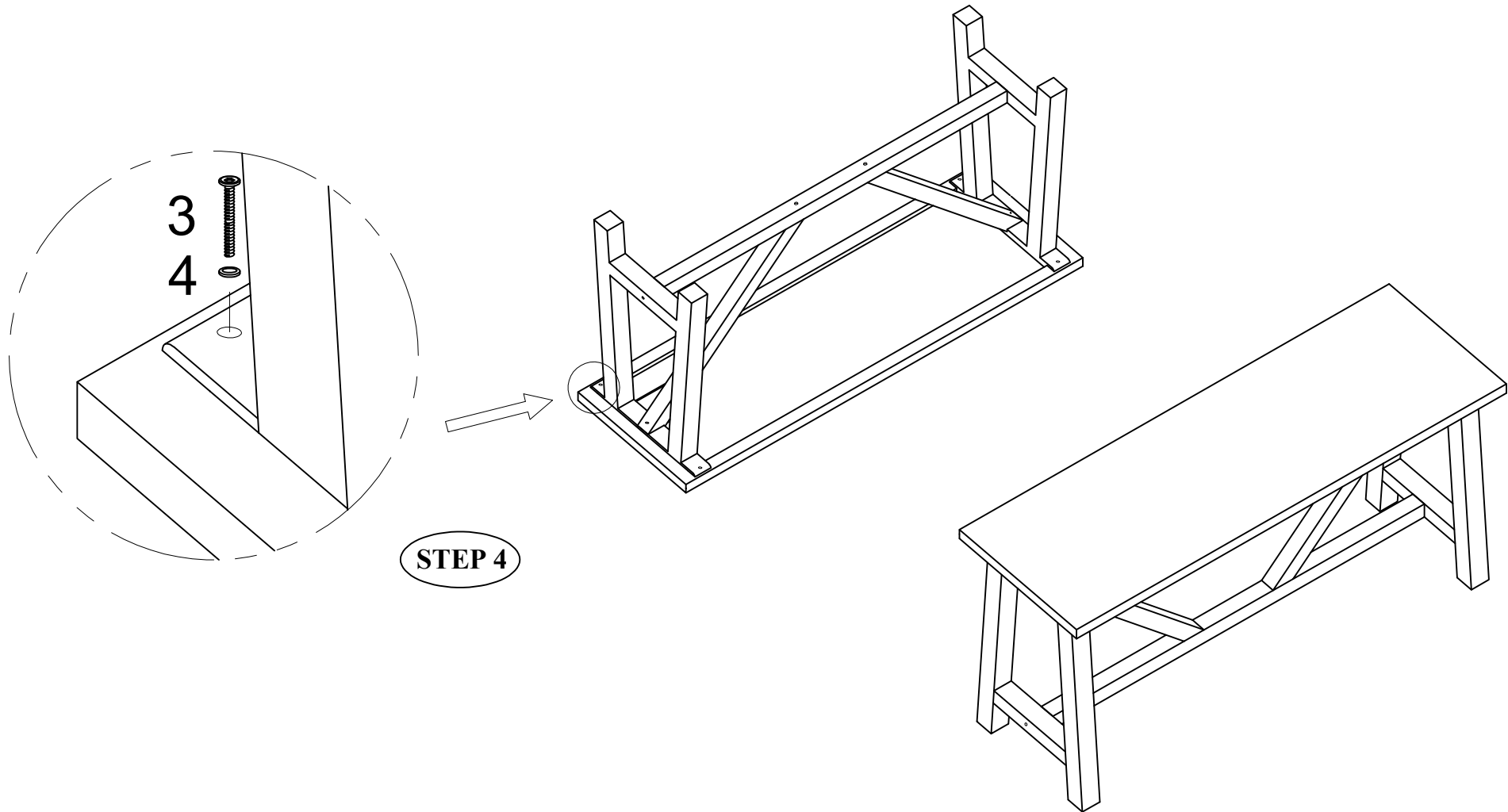


1		6x80mm	4pcs
2		6x40mm	2pcs
3		8x50mm	4pcs
4		8x19x2mm	4pcs
5		Allen key	2pcs

ASSEMBLY TIPS: Use Caution with Heavy Tables and only assemble with a minimum of two people on soft surfaces as not to damage table tops. Assembly should be face down as shown. Use patience when inserting screws & bolts to find the matching holes before locking down to avoid unnecessary damage. Please use care since the Table surface area & parts are handmade and fragile.

ASSMBLY INSTRUCTIONS

Rectangle 70" x 30" x 36'H Table



ASSEMBLY TIPS: Use Caution with Heavy Tables and only assemble with a minimum of two people on soft surfaces as not to damage table tops. Assembly should be face down as shown. Use patience when inserting screws & bolts to find the matching holes before locking down to avoid unnecessary damage. Please use care since the Table surface area & parts are handmade and fragile.