



20 : 00

estimated
assembly time



2 or more

people required

Ok, let's
get started!



- Put on mood music!
- To prevent damage to product, use the clean side of package carton or rug as working surface.
- In the event of missing or damaged parts, delivery problems etc., please reach out to our team.
We will be happy to fix the problem!

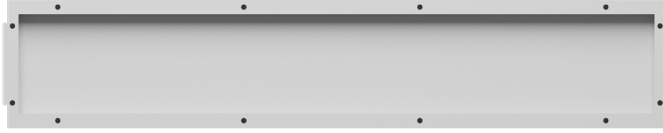
care guide

- Clean regularly with a soft and dry cloth.
- To protect finish, avoid use of abrasive cleaners.
- Wipe up spills immediately. Please!

ⓘ **While assembling the product, tighten the bolts up to 50%. Once all parts are in place, only then fully tighten the bolts.**



product parts



(A)
Headboard
x2



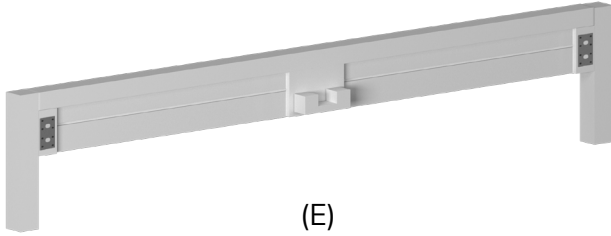
(B)
Headboard
x1



(C)
Headboard
x1



(D)
Leg
x2



(E)
Footboard
x1



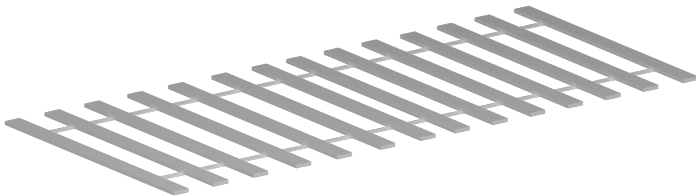
(F)
Side Rail
x2



(G)
Mid Rail
x1

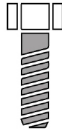


(H)
Mid Legs
x3

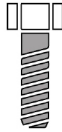


(I)
Slats
x2

what's included



(J)- Bolt 8X50mm
x18



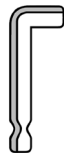
(K)- Bolt 8X25mm
x8



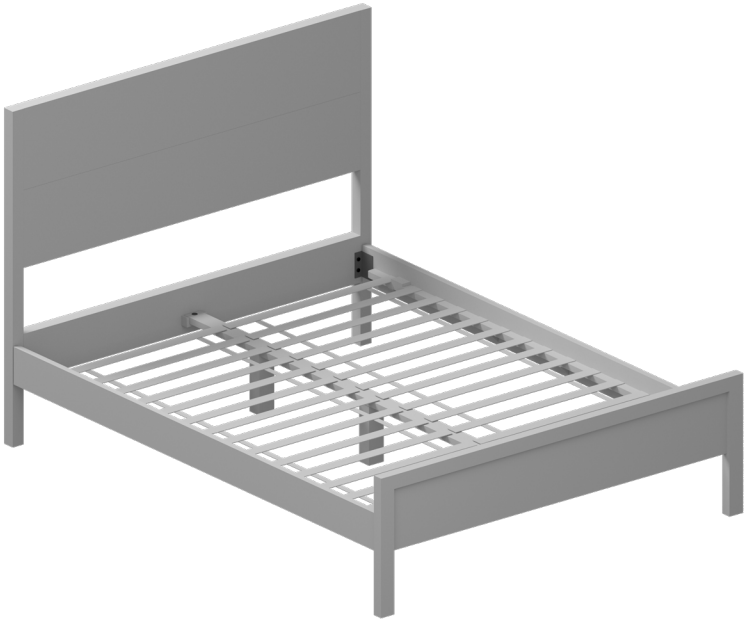
(L)- Washer 8.5
x21



(M)- Lock washer 8.5
x21



(N)- Allen Key
x1



assembly instructions

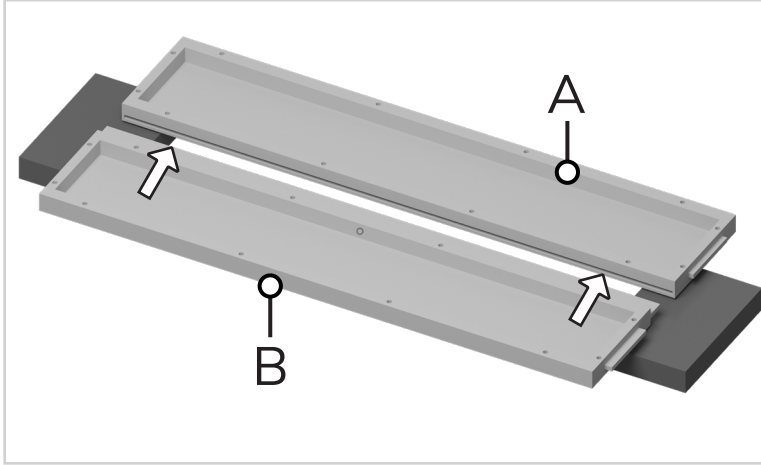
Friendly Tip: Take a deep breath going in. This may be a tricky part, but nothing too overwhelming. Just follow these steps to the T and the outcome will be worth it!



- ⓘ While assembling the product, tighten the bolts up to 50%. Once all parts are in place, only then fully tighten the bolts.

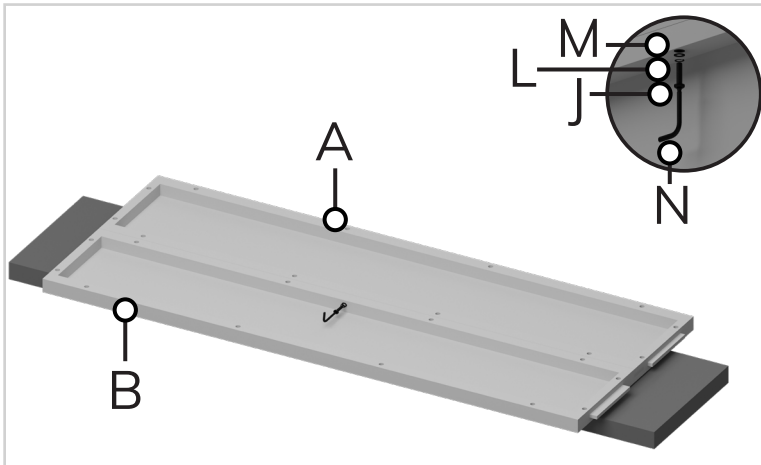
step 1:

Start by placing the headboard part (A) and (B) upside down on a flat surface. Add any object under to add some height. Make sure the tenon and slot are aligned.



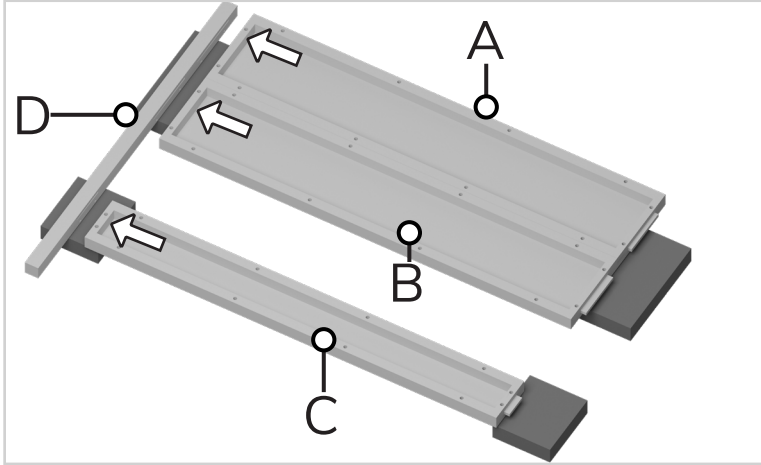
step 2:

Now, insert washer (L), lock washer (M) and bolt (J) in the given slot and fix them together with the help of allen key (N). See the image below for reference.



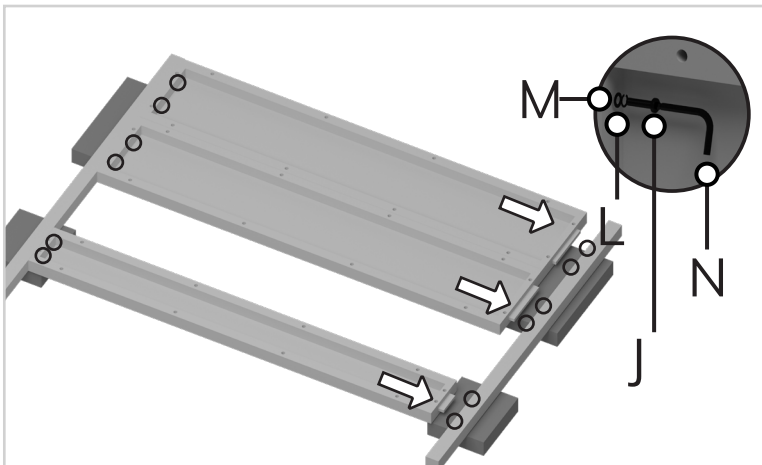
step 3:

Then, take the left leg (D) and attach the slots with the tenons on the headboard (A, B & C). Make sure they are properly attached.



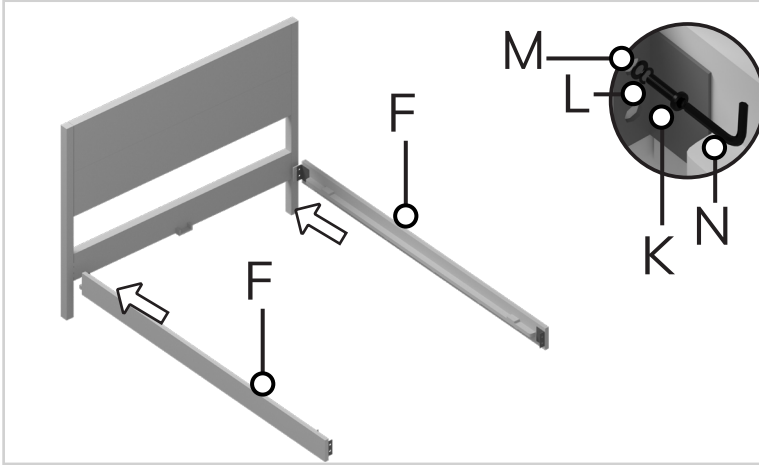
step 4:

After they are all attached, insert washer (M), lock washer (L) and bolt (J) in the holes as shown in the image below. Repeat the same step with the right leg (D). Tighten all of them fully using the allen key (N).



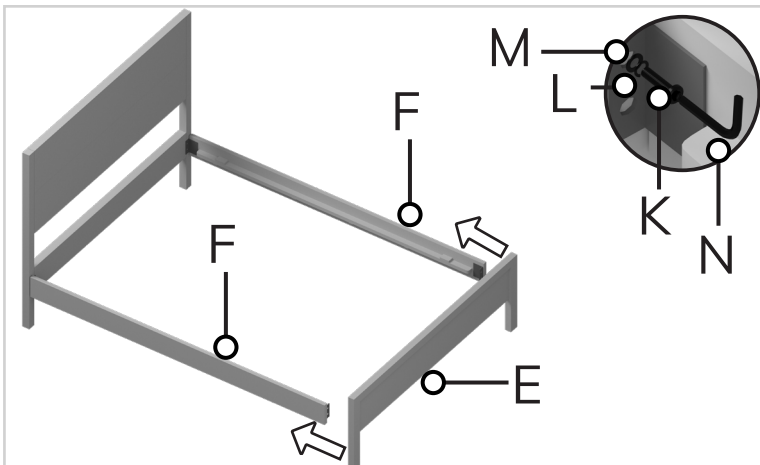
step 5:

Now, place the headboard on the floor vertically against a wall and align the side rails to the matching holes on (C). Fix them in place using washer (M), lock washer (L) and bolt (K). Tighten them up to 50% using allen key (N).



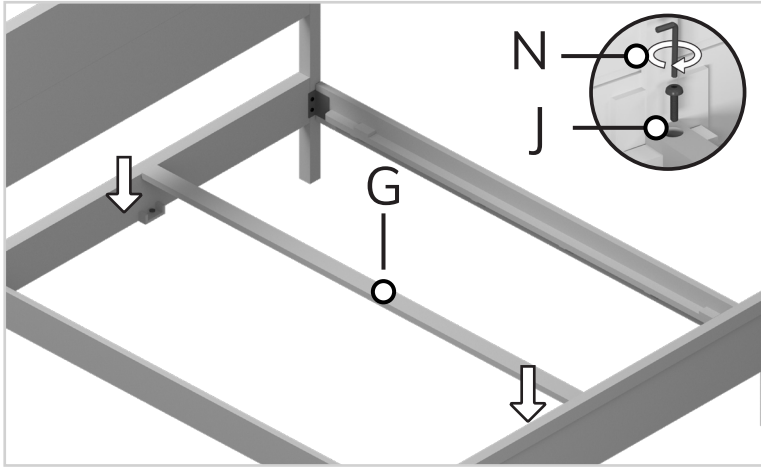
step 6:

Repeat step 5 with footboard (E).



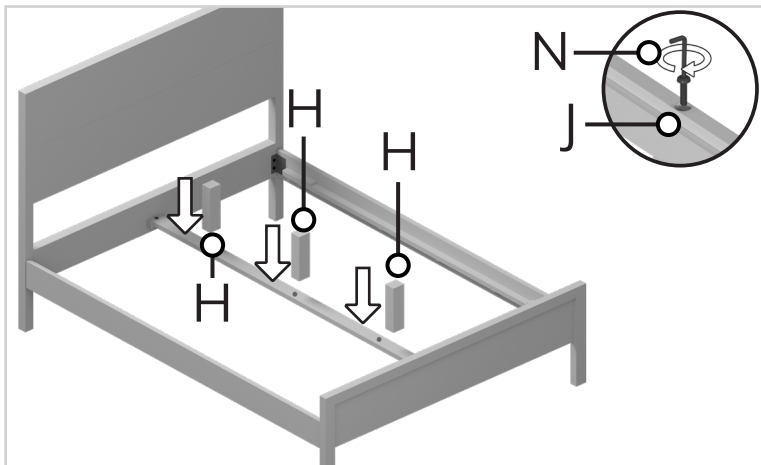
step 7:

Using the image as reference place the mid-rail (G) in the centre slots (parallel to the side-rails). insert the bolt (J) into the pre-drilled holes and fix the mid-rail in place with the help of allen key (N).



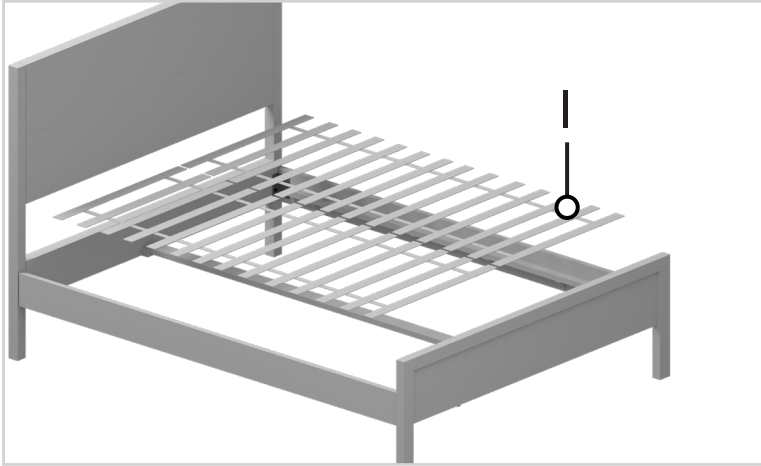
step 8:

Then align the three mid-legs (H) with the pre-drilled slots on mid-rail (G). Attach the mid-legs to the mid-rail using the bolts (J) and insert them into the pre-drilled slots. Now fix them in place with the help of allen key (N). Use the image below as reference.



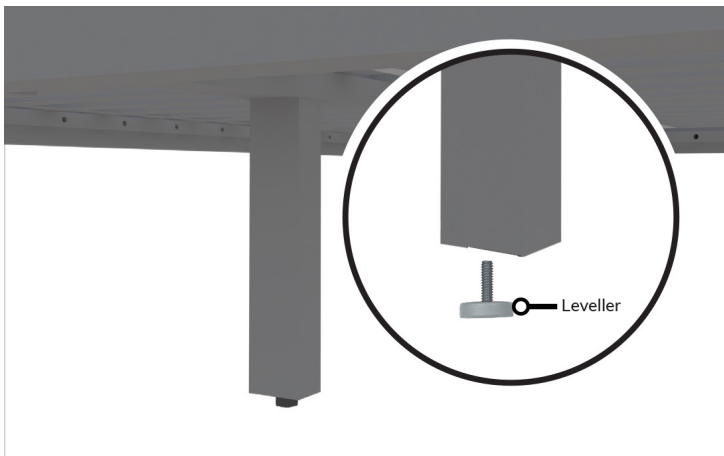
step 9:

Simple enough? Next, place all the slates (I) parallel to each other as shown in this image. Make sure the slates are well fixed in place and all the parts are aligned with each other; adjust using your hands if needed. Now, tighten all points using the allen-key (N).



step 10:

If required, adjust the levellers according to the floor as shown in the image.



Voila! Your bed is now assembled and secure!

you've
got
a home
with us

