

## 9PCS Patio Rattan Dining Set



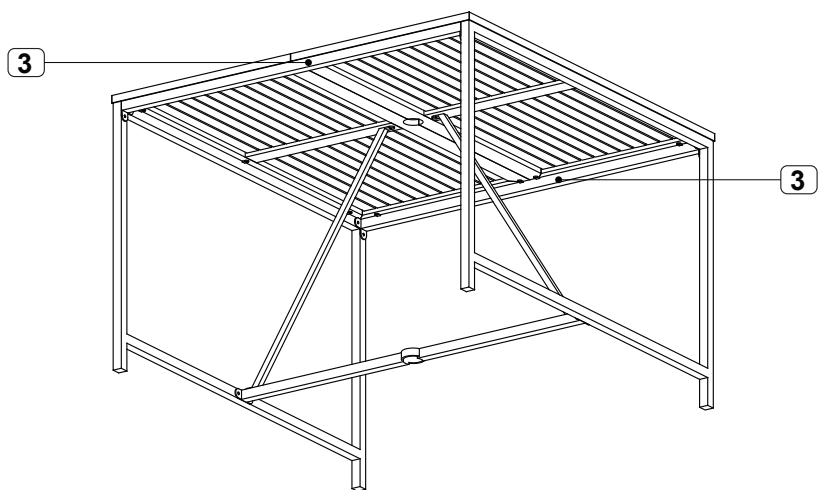
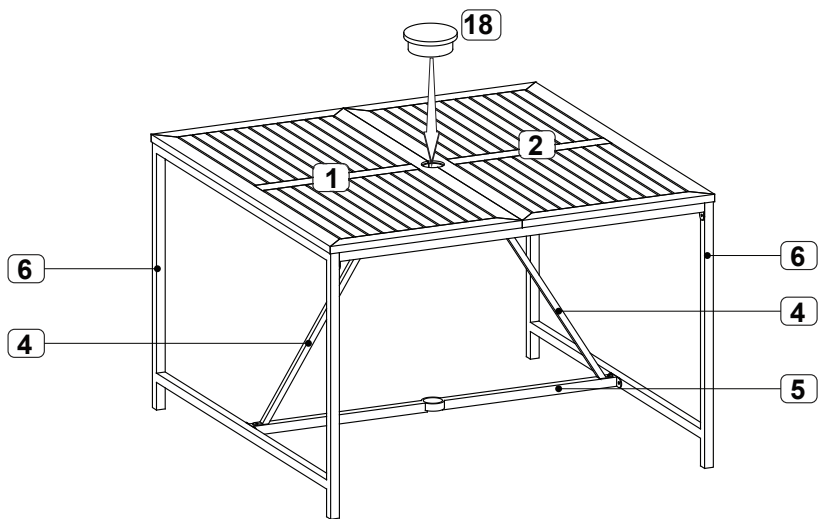
## Before You Start

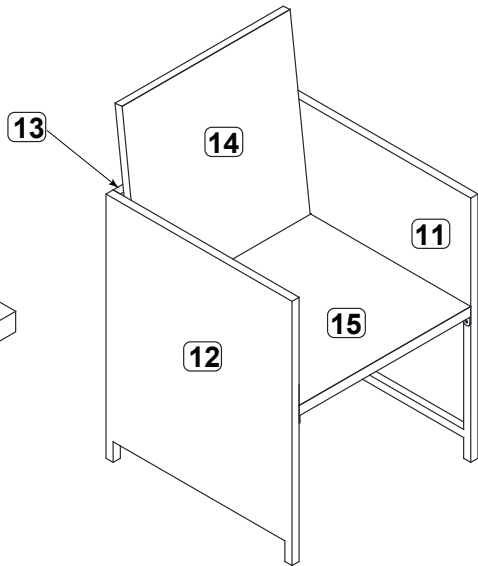
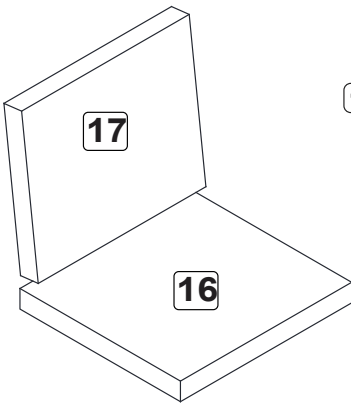
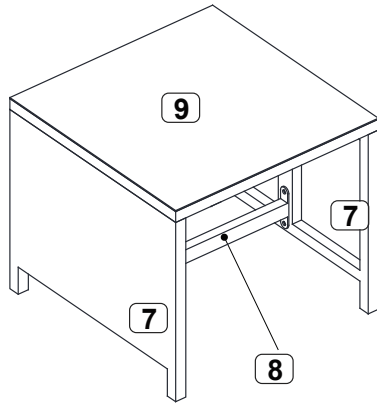
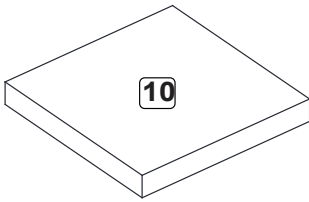
- ⚠ Please read all instructions carefully.
- ⚠ Retain instructions for future reference.
- ⚠ Separate and count all parts and hardware.
- ⚠ Read through each step carefully and follow the proper order.
- ⚠ We recommend that, where possible, all items are assembled near to the area in which they will be placed in use, to avoid moving the product unnecessarily once assembled.
- ⚠ Always place the product on a flat, steady and stable surface.
- ⚠ Keep all small parts and packaging materials for this product away from babies and children as they potentially pose a serious choking hazard.

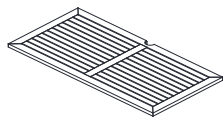


## Return / Damage Claim Instructions

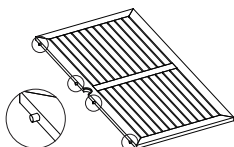
- ⚠ **DO NOT discard the box / original packaging.**  
In case a return is required, the item must be returned in original box. Without this your return will not be accepted.
- ⚠ **Take a photo of the box markings.**  
A photo of the markings (text) on the side of the box is required in case a part is needed for replacement. This helps our staff identify your product number to ensure you receive the correct parts.
- ⚠ **Take a photo of the damaged part (if applicable).**  
A photo of the damage is always required to file a claim and get your replacement or refund processed quickly. Please make sure you have the box even if it is damaged.
- ⚠ **Send us an email with the images requested.**  
Email us directly from marketplace where your item was purchased with the attached images and a description of your claim.



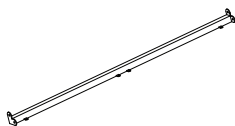




**1** x1  
A Half Table Top



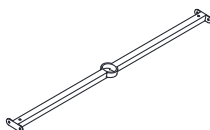
**2** x1  
A half Table Top with dowels



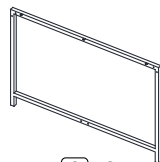
**3** x2  
Table Support



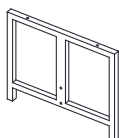
**4** x2  
Diagonal support



**5** x1  
Table Stretcher



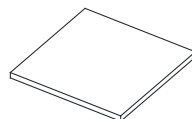
**6** x2  
Table Leg Component



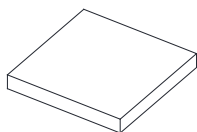
**7** x8  
Stool Leg Component



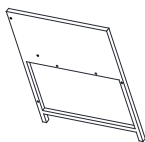
**8** x4  
Stool Stretcher



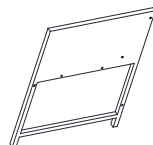
**9** x4  
Stool Seat



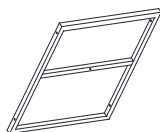
**10** x4  
Stool Cushion (small)



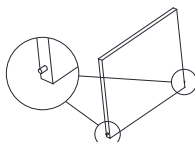
**11** x4  
Left Chair Leg Component



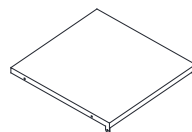
**12** x4  
Right Chair Leg Component



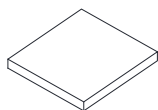
**13** x4  
Chair Back Component 1



**14** x4  
Chair Back Component 2

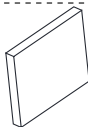


**15** x4  
Chair Seat



16 x4

Chair Seat Cushion (Large)



17 x4

Chair Backrest Cushion



18 x1

Parasol Cap



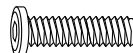
M4x15mm  
Screw

(A) x16



M6x15mm  
Bolt

(B) x38



M6x30mm  
Bolt

(C) x52



M6x16x5mm  
Washer

(D) x8

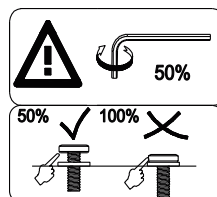


M4 Allen key

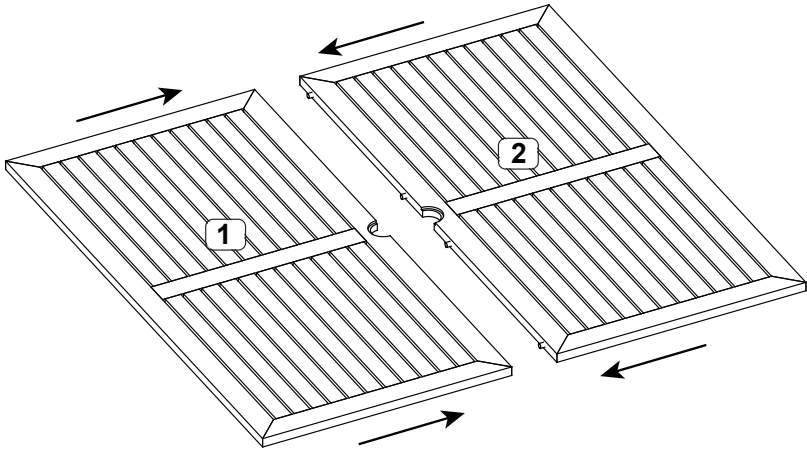
(E) x2

Please don't fasten the screw completely during assembly process. It will be likely to lead to an assembling problem that screw hole position is not aligned.

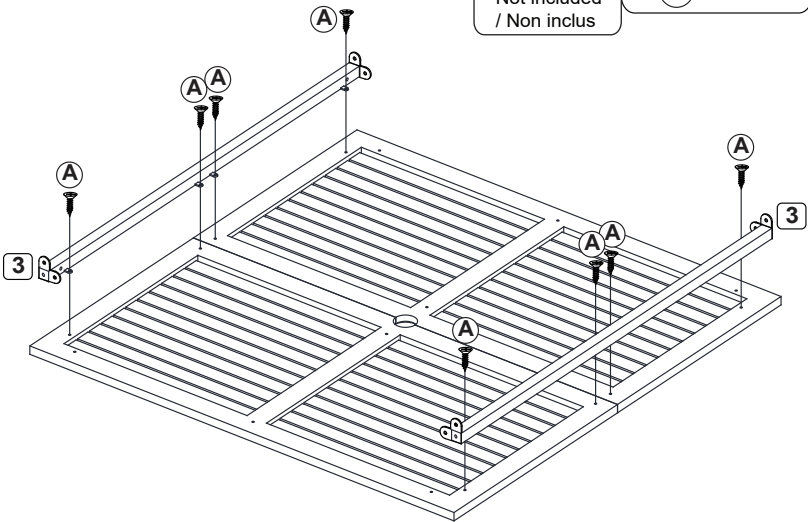
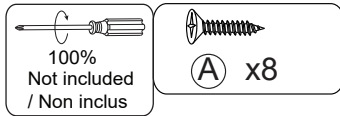
You can fasten completely when all parts have been assembled.



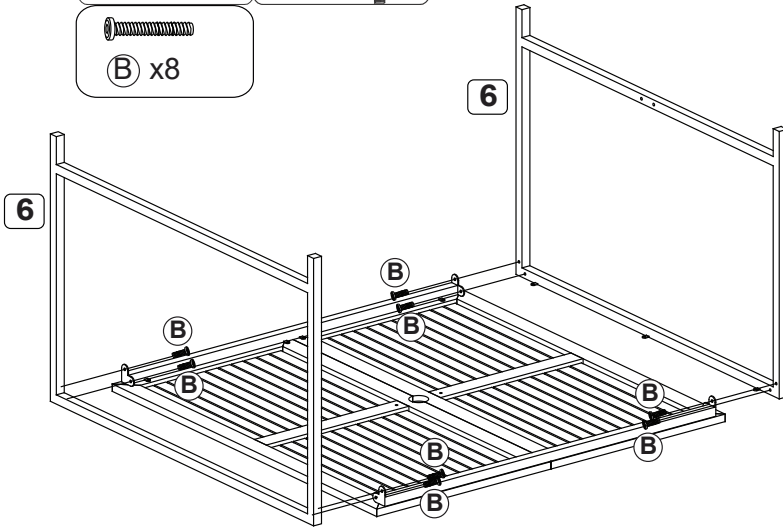
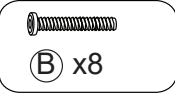
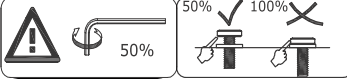
1



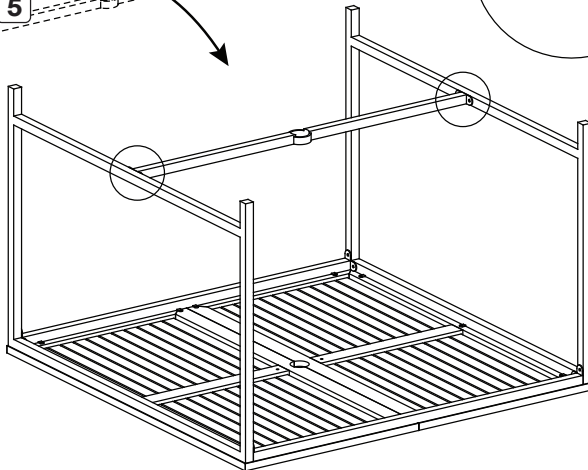
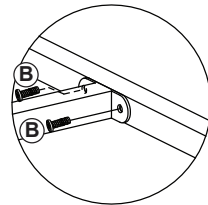
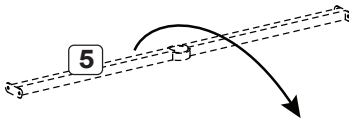
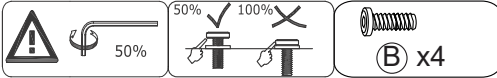
2



3



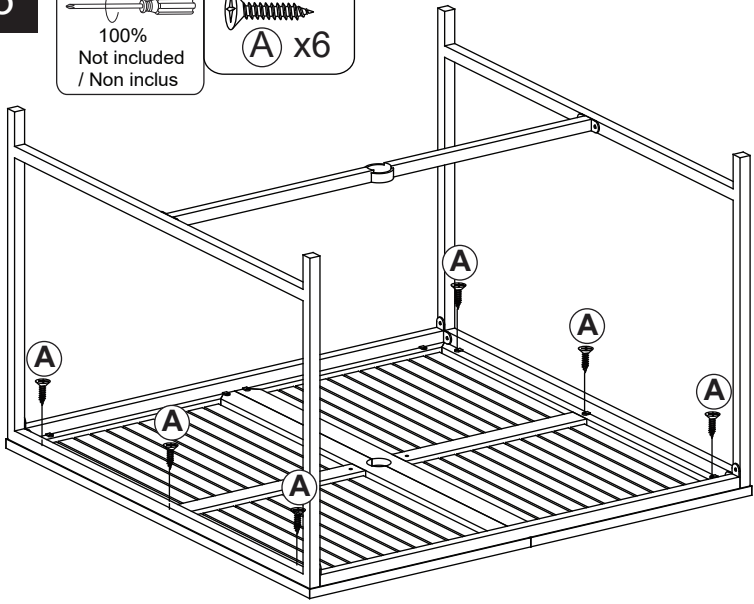
4



5

100%  
Not included  
/ Non inclus

(A) x6

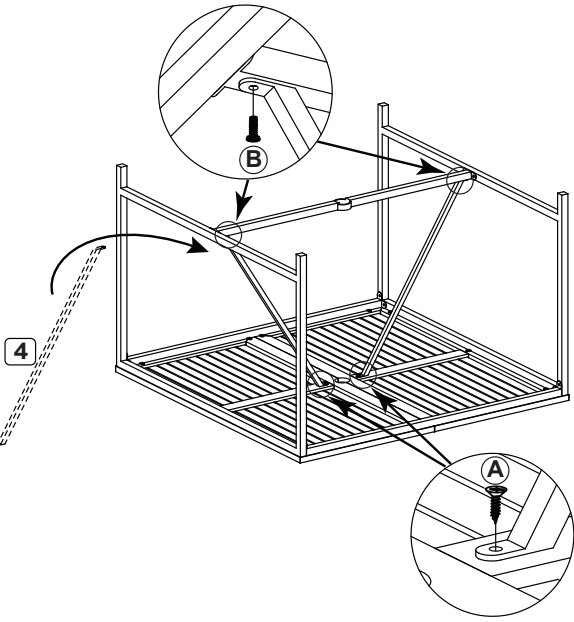
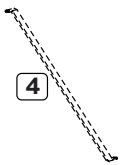


6

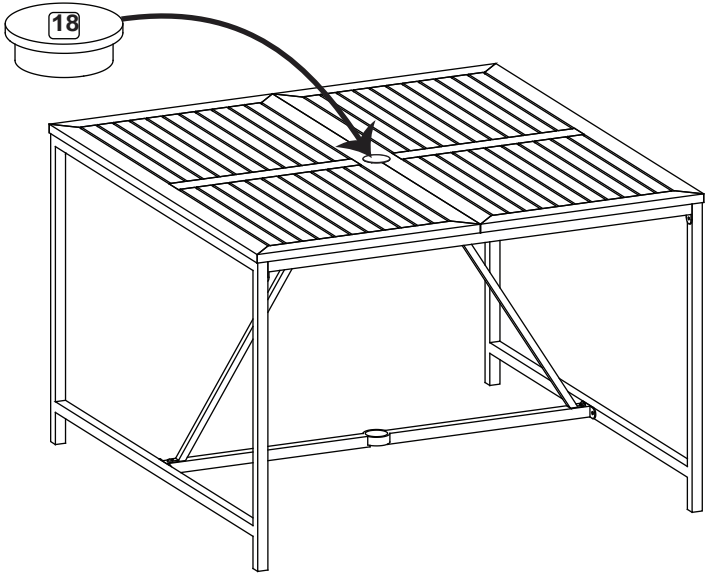
100%

(A) x2

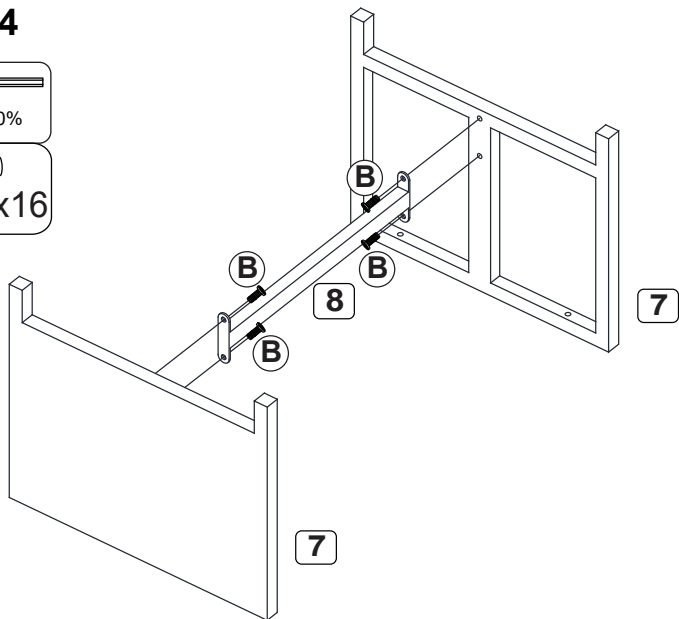
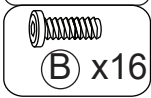
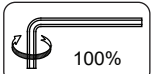
(B) x2



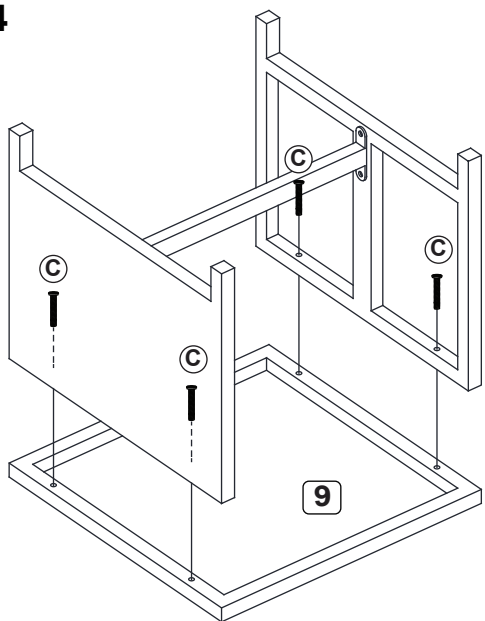
**7** TABLE



**8** x4



**9 x4**



⚠️ 50%

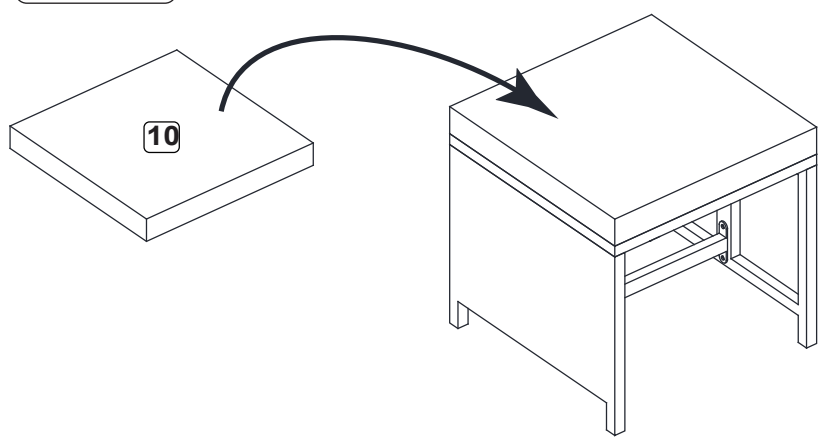
50% ✓ 100% ✗

🌀

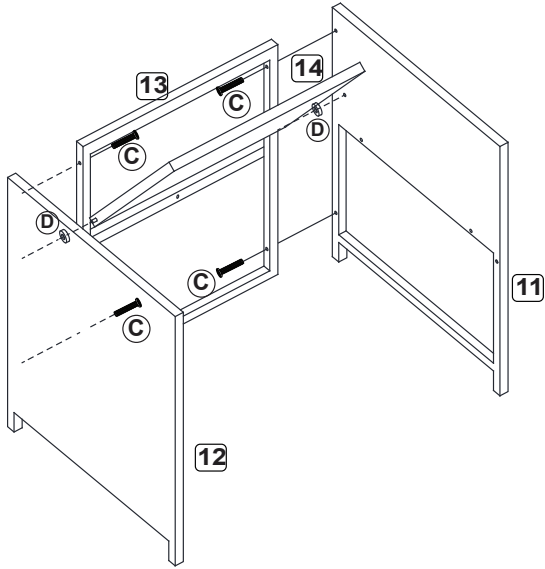
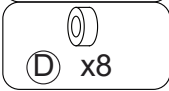
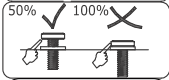
Ⓢ x16

**10 STOOL x4**

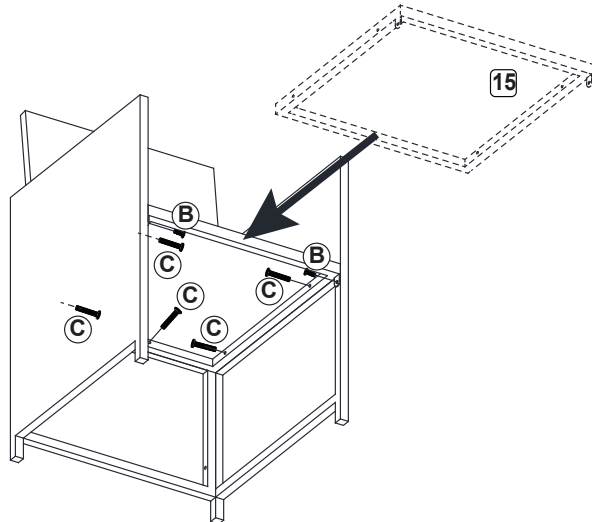
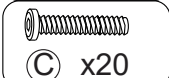
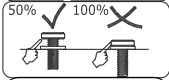
🌀 100%



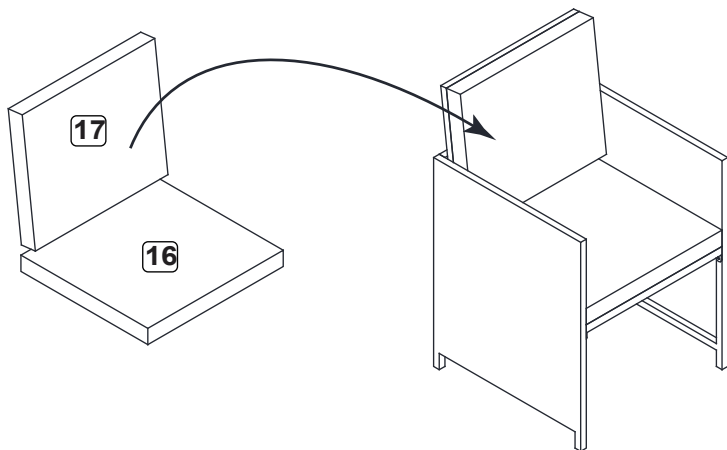
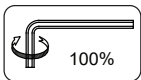
# 11 x4



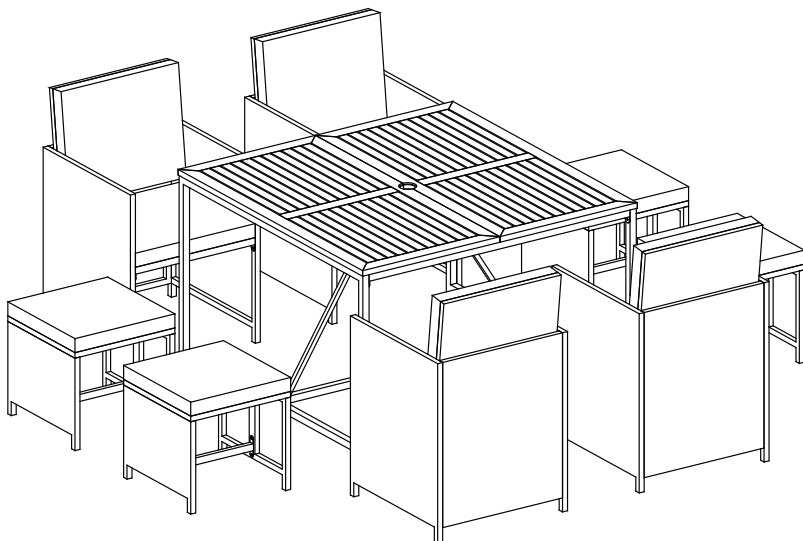
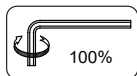
# 12 x4



## 13 CHAIR x4

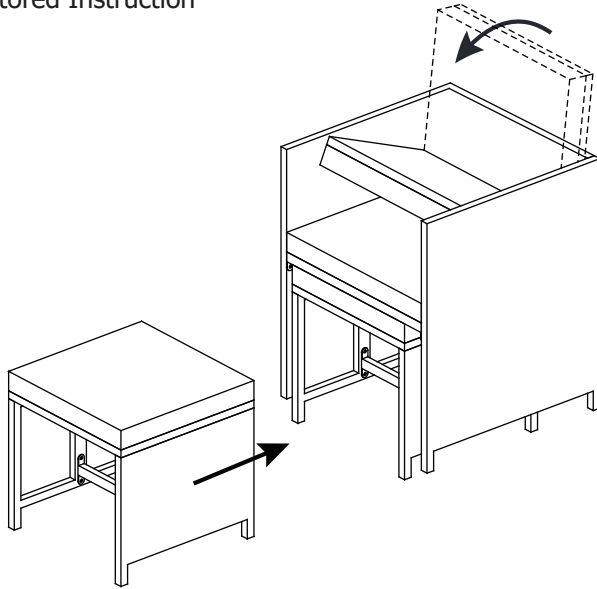


## 14



---

**15** Stored Instruction



---

**16** Stored Instruction

