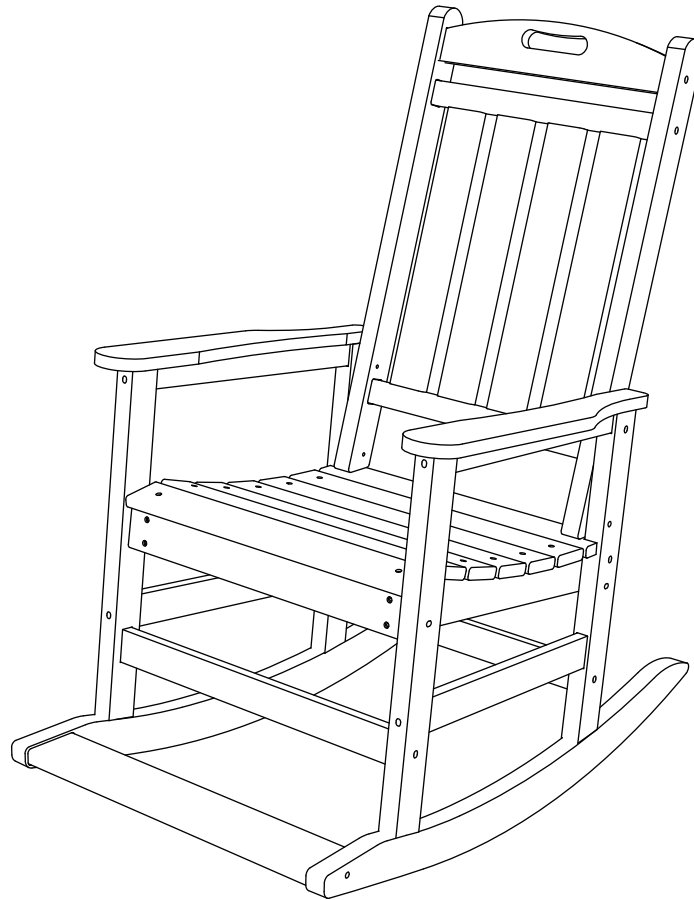


ROCKING CHAIR

Assembly Instructions

⚠ Attention

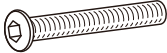
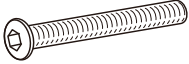
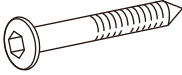
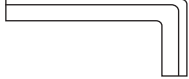
If manual installation using a hex wrench is difficult, Recommended to use electric screw tools to install.



UP TO 30 MIN.
ASSEMBLY

Hardware & Tools

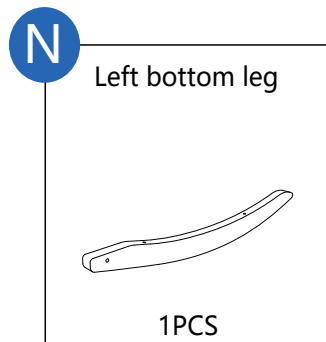
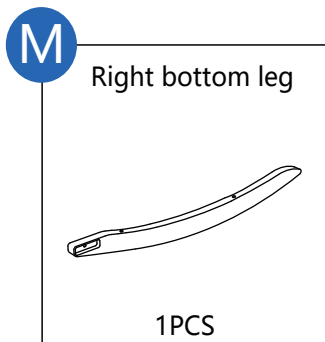
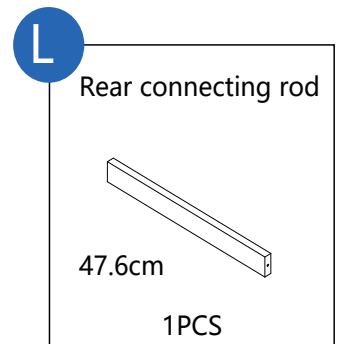
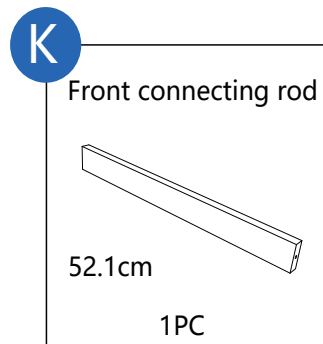
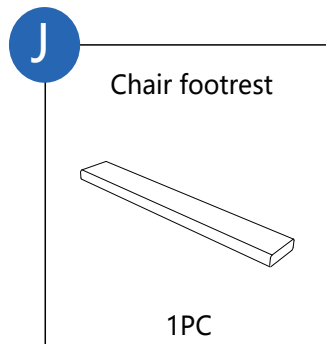
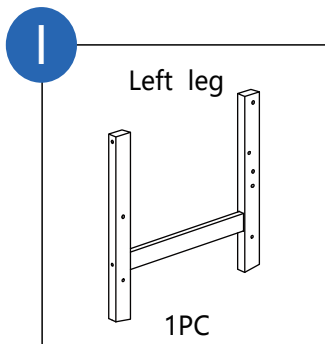
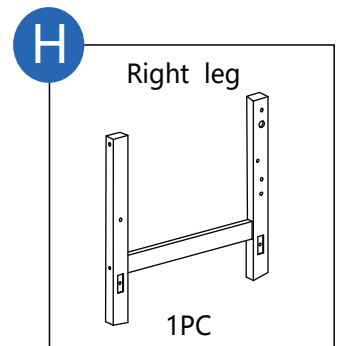
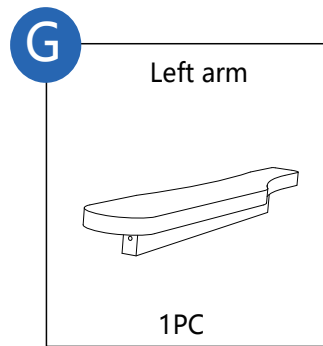
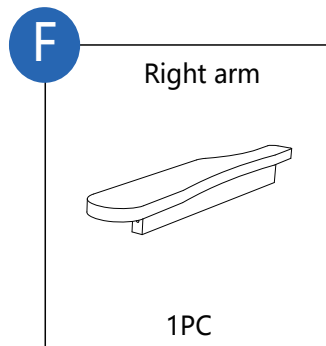
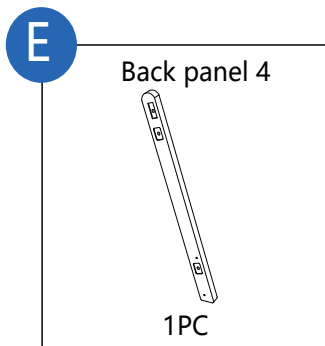
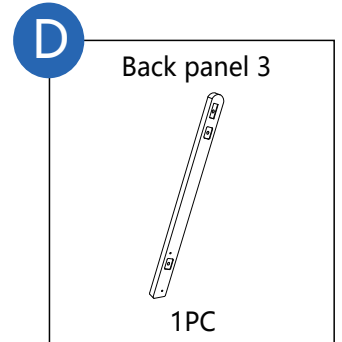
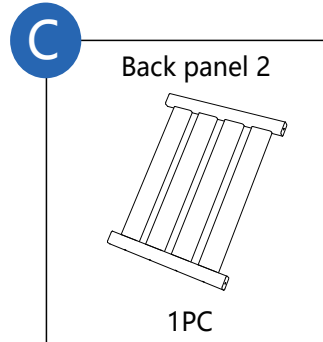
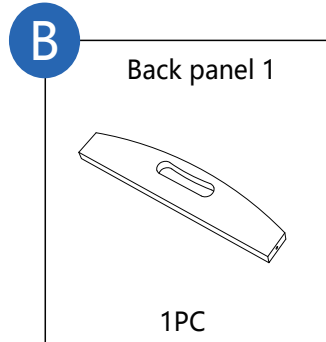
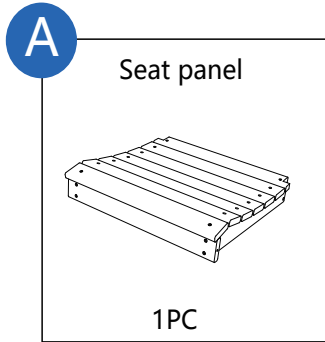
Note: The quantities below are the correct amount to complete the assembly.

- | | | | |
|---|--|---|---|
| 1
M6.3 x 60mm Bolt

8PCS | 2
M6.3 x 70mm Bolt

14PCS | 3
M6.3 x 80mm Screw

8PCS | 4
Allen key

1PC |
|---|--|---|---|

Components

! Caution: Please do not over-tighten bolts and screws during assembly.


Note: The illustration of the chair shows the exact position of each part. Check when assembling.

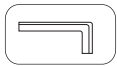
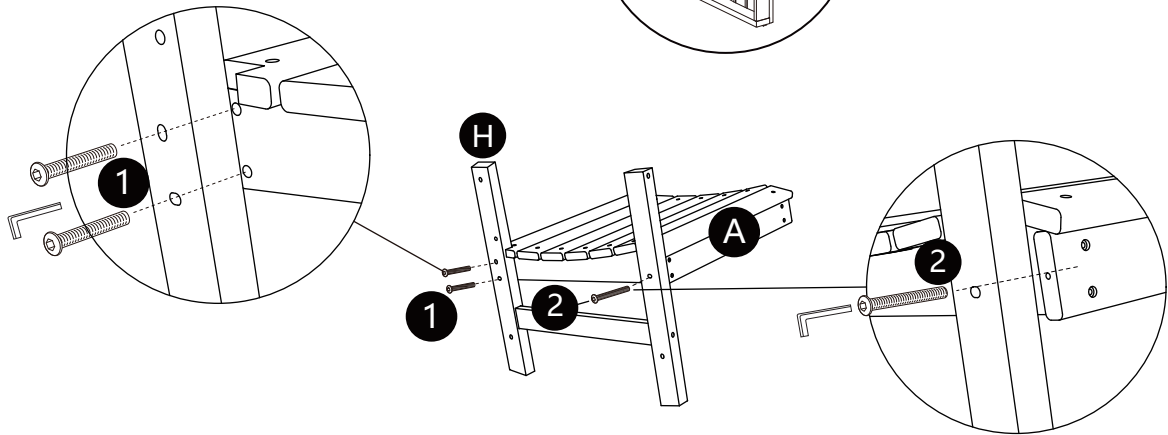
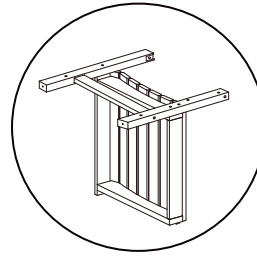


Assembly Instructions

Important - Please read these instructions fully before starting assembly

STEP1

 Side-down placement will make installation easier.



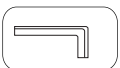
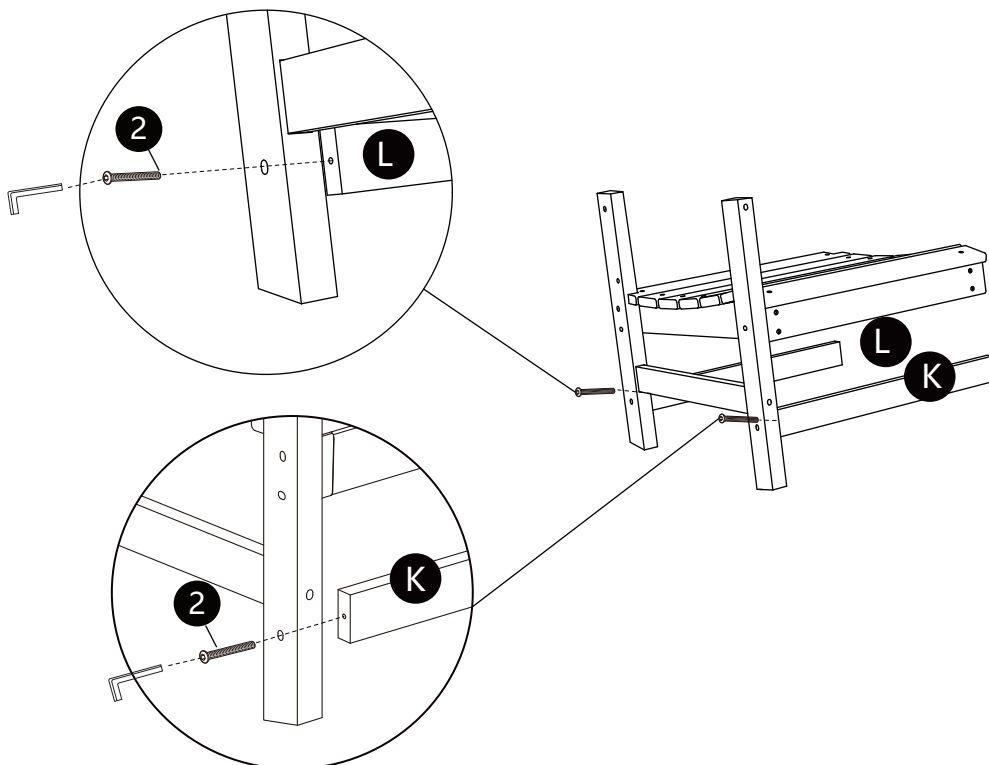
A x1

H x1

2 x1

1 x2

STEP2



K x1


L x1

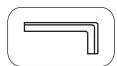
2 x2

Assembly Instructions

Important - Please read these instructions fully before starting assembly

STEP3

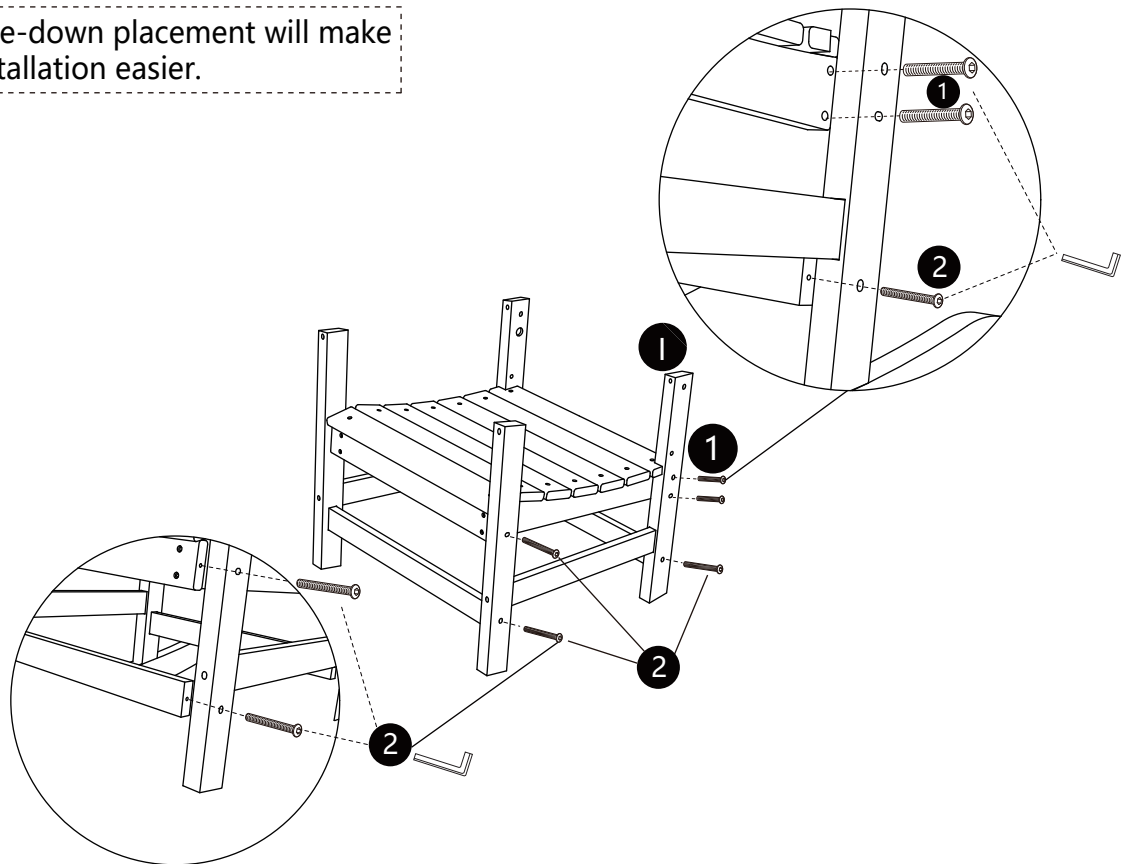
 Side-down placement will make installation easier.



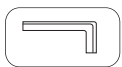
2 x3

1 x2

1 x1

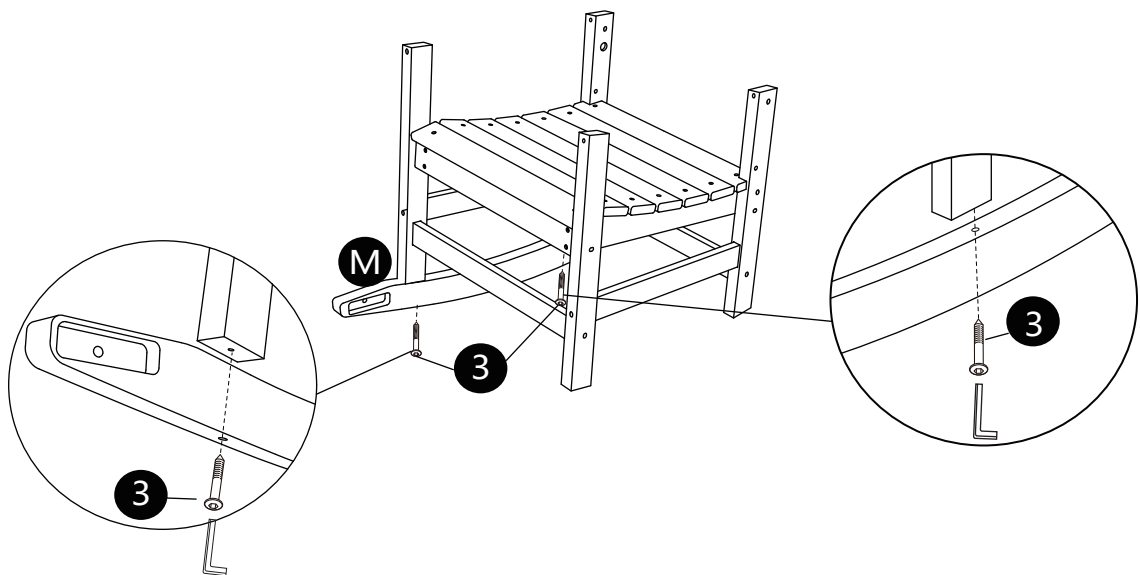


STEP4



M x1

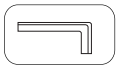
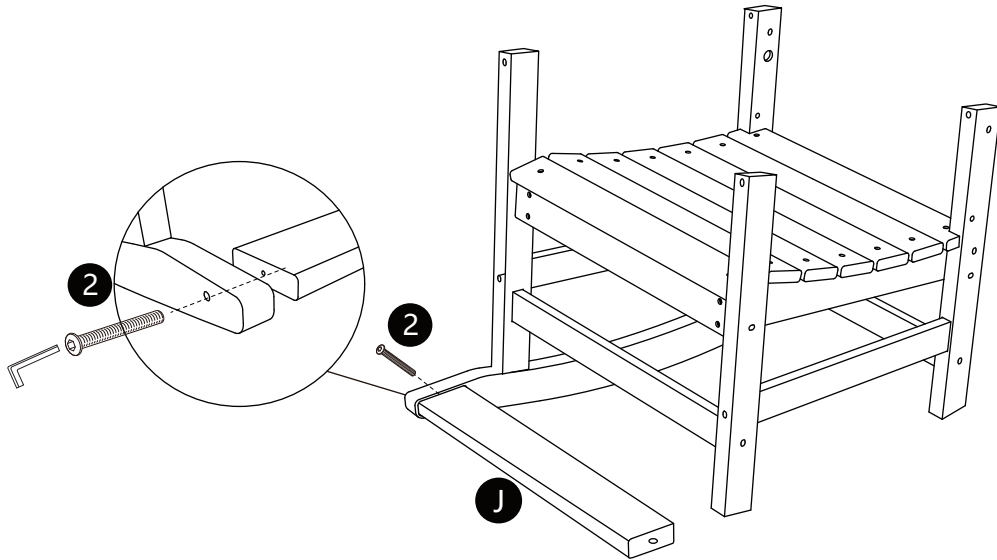
3 x2



Assembly Instructions

Important - Please read these instructions fully before starting assembly

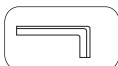
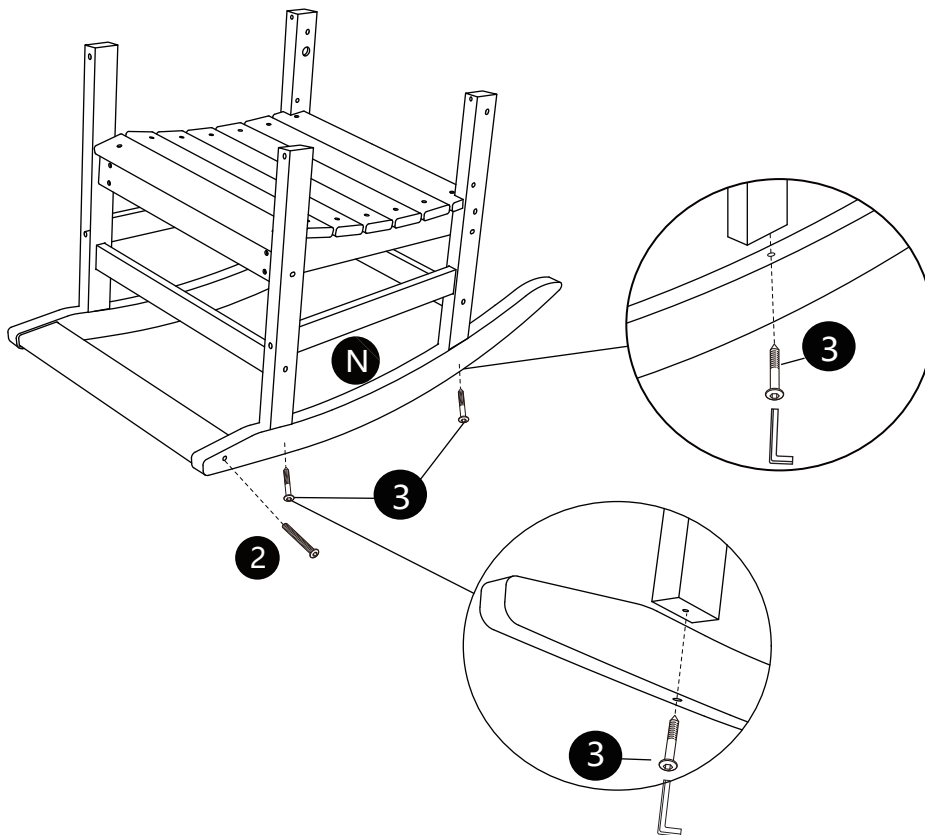
STEP5



J x1

2 x1

STEP6



N x1

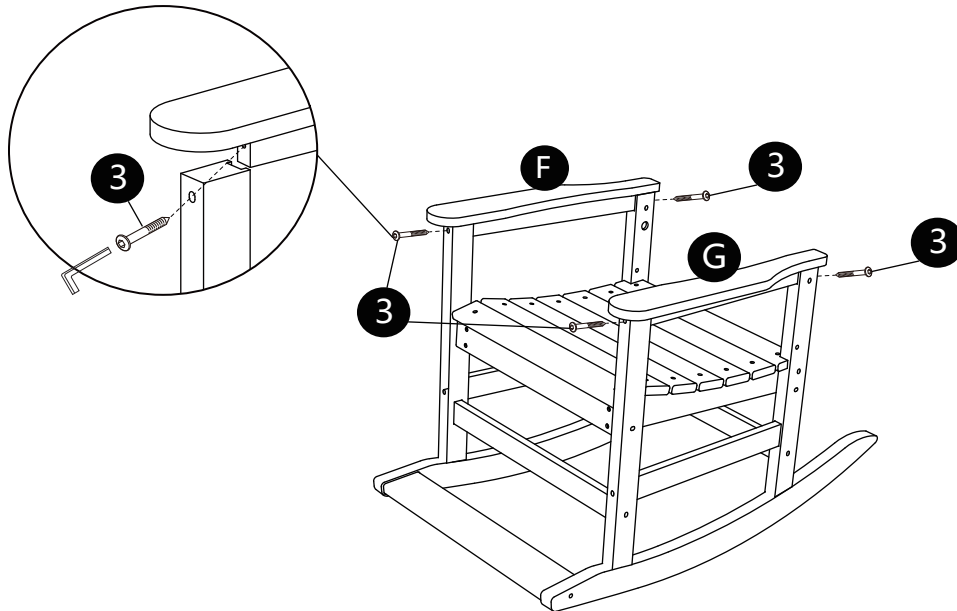
2 x1

3 x2

Assembly Instructions

Important - Please read these instructions fully before starting assembly

STEP 7

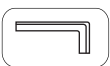
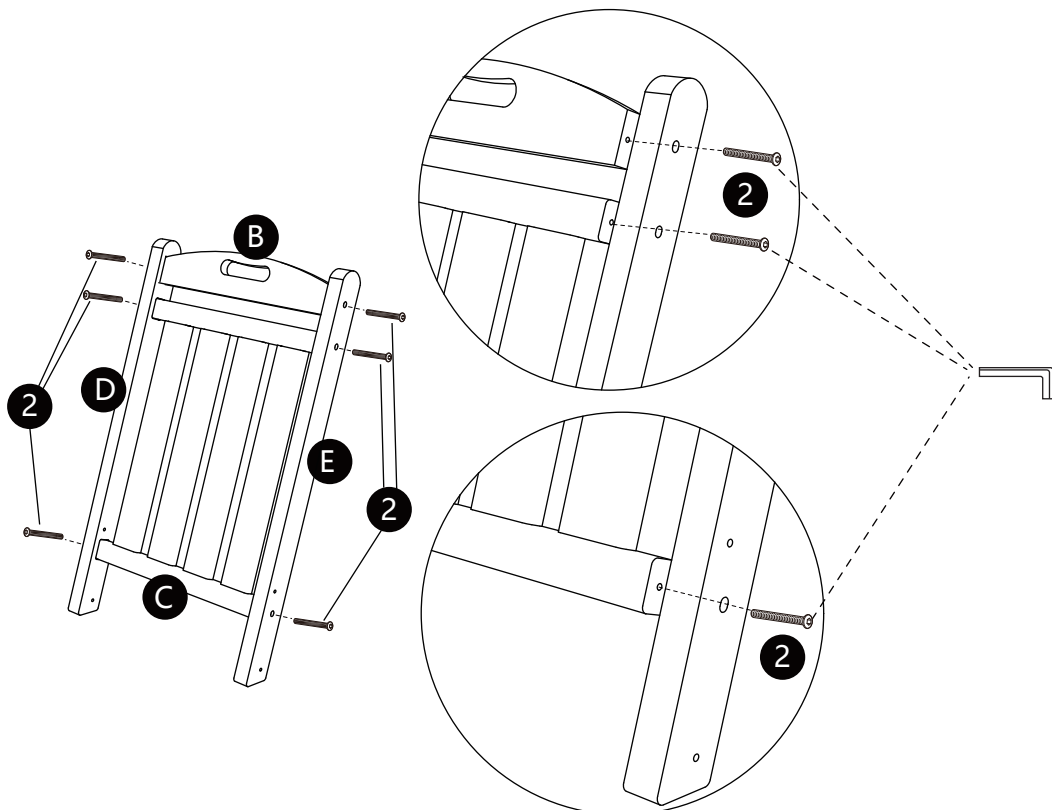


F x1

G x1

3 x4

STEP 8



B x1

C x1

D x1

E x1

2 x6

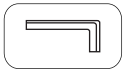
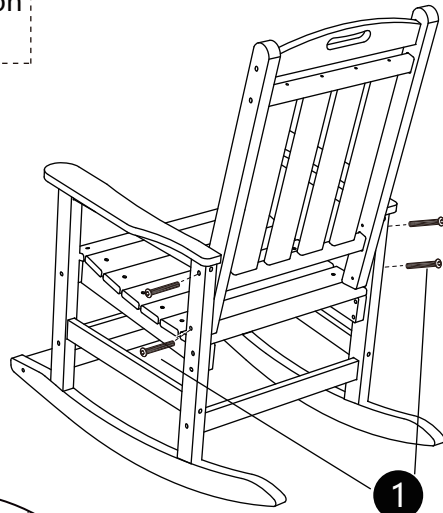
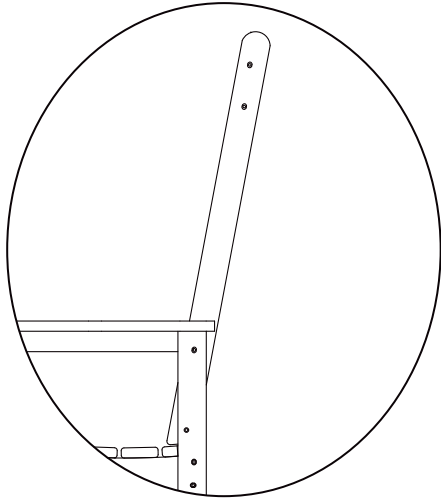
Assembly Instructions

Important - Please read these instructions fully before starting assembly

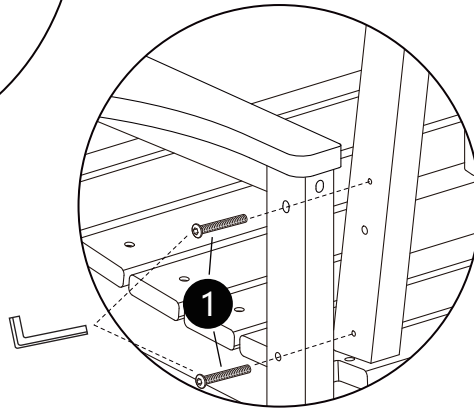
STEP9



The following figure shows the installation direction of the backplane.

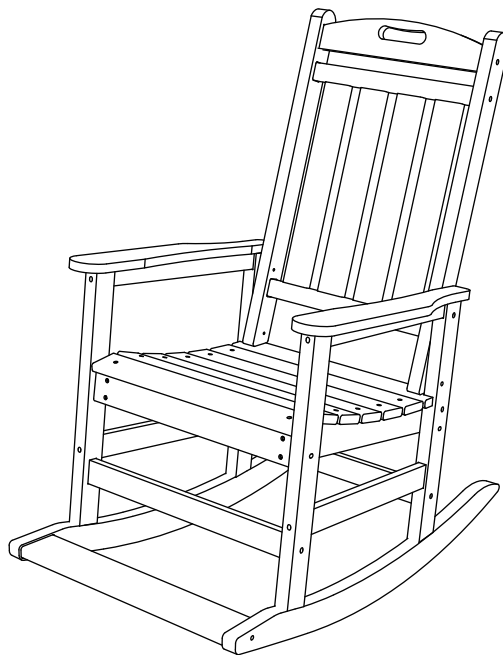


1 x4



Align the light with the hole and insert the screw to tighten it.

STEP10



Tighten all screws after assembly.

Assembly Instructions

Important - Please read these instructions fully before starting assembly

Attention

We will provide our best customer support.

If you have any questions or issues during installation, please send an email with your telephone number and address. We will provide installation support, guided videos and offer reissues for any defective parts.

All queries will be addressed within 24 hours.

Customer satisfaction is of the utmost importance to us!

