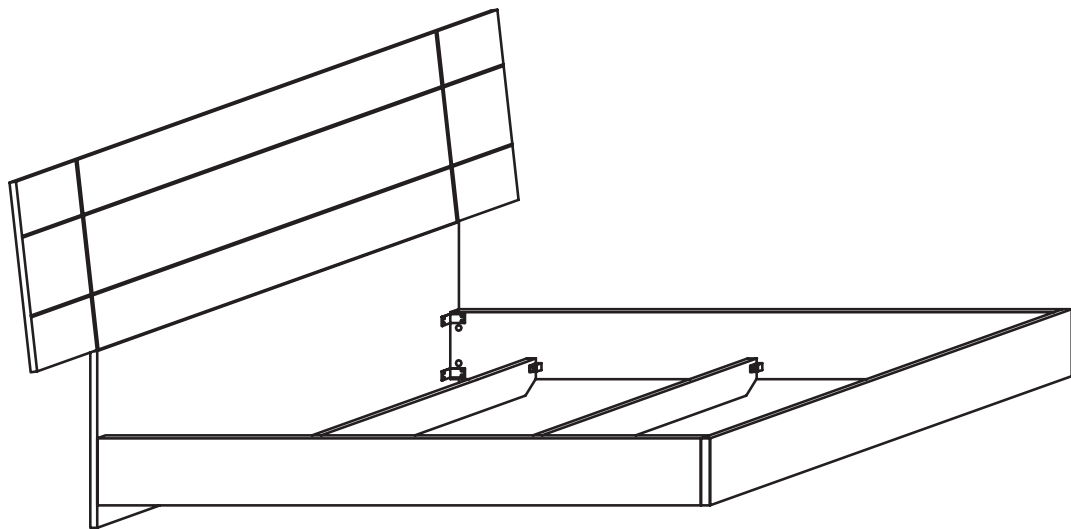




# BED

## ASSEMBLY INSTRUCTIONS



IMPORTANT  
ASSEMBLING THIS  
UNIT NEEDS  
MINIMUM 2 PEOPLE

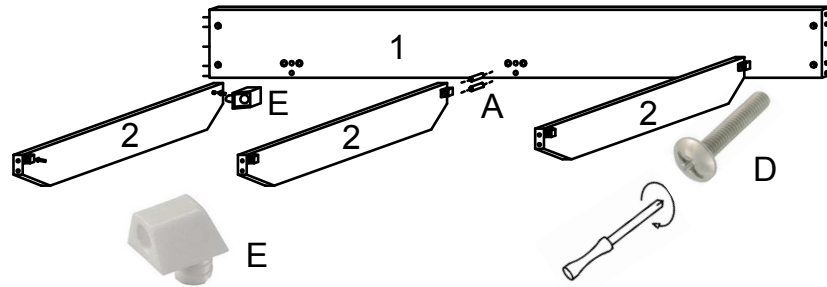


**NO**  
DON'T USE THE DRILL



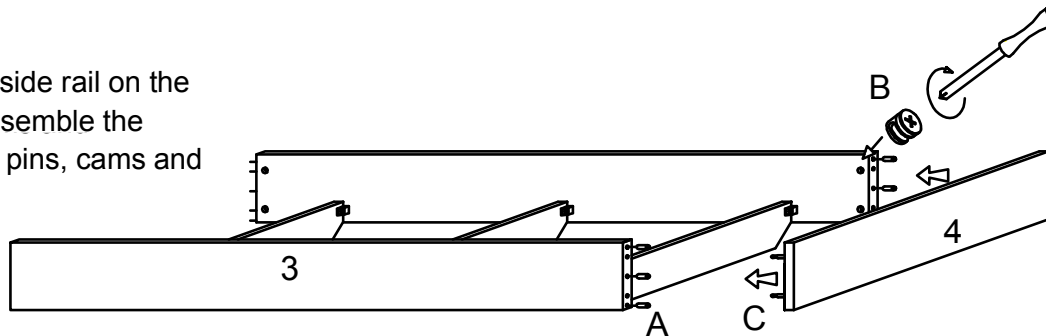
## LEGEND

1	Side rails
2	Ring / Slat support
3	Side rails
4	Footboard
5	Under headboard
6	Headboard









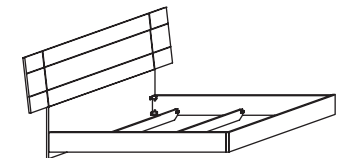
1  
Fit the slat supports to the side rail, using the screws 4MA

2  
Assemble the other side rail on the slat supports and assemble the footboard, using the pins, cams and wooden dowels



## PARTS CHECKLIST

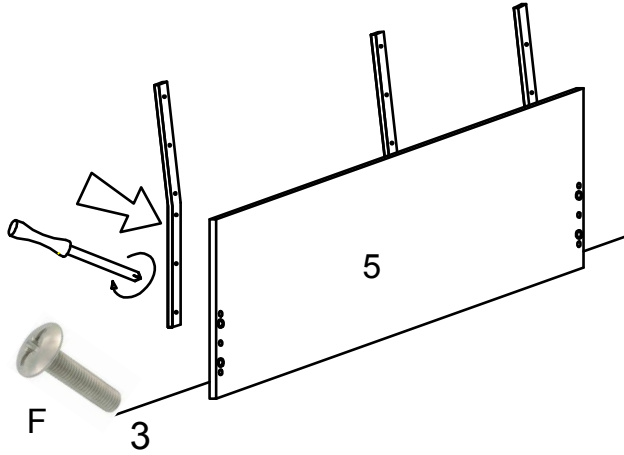
A		Wooden dowels (24 pcs)
B		Cams (8 pcs)
C		Pins (8 pcs)
D		Screws TBL 4MA (6 pcs)
E		Cams for TBL 4MA (6 pcs)
F		Screws TBL 6MA (18 pcs)



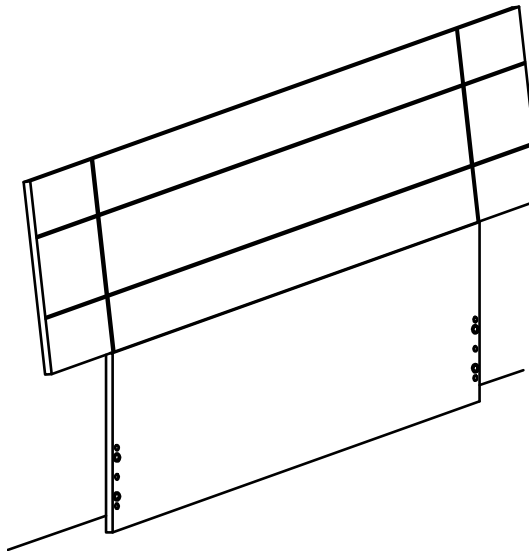
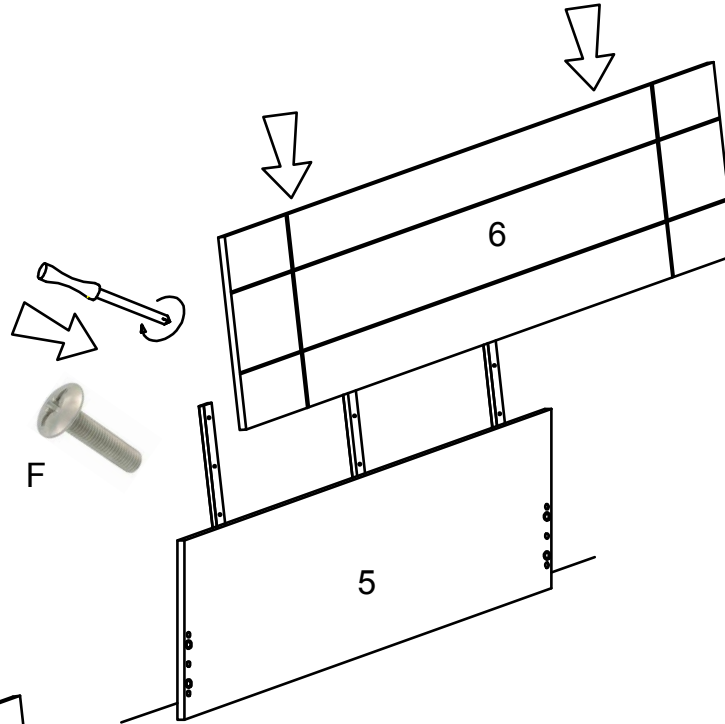
IMPORTANT  
ASSEMBLING THIS  
UNIT NEEDS  
MINIMUM 2 PEOPLE



**NO**  
DON'T USE THE DRILL









Fit the iron bars first on the under headboard and then on the hearboard, using the screws 6MA

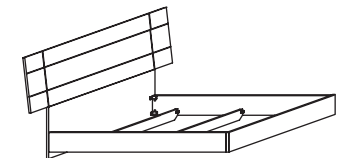


## LEGEND

1	Side rails
2	Ring / Slat support
3	Side rails
4	Footboard
5	Under headboard
6	Headboard

## PARTS CHECKLIST

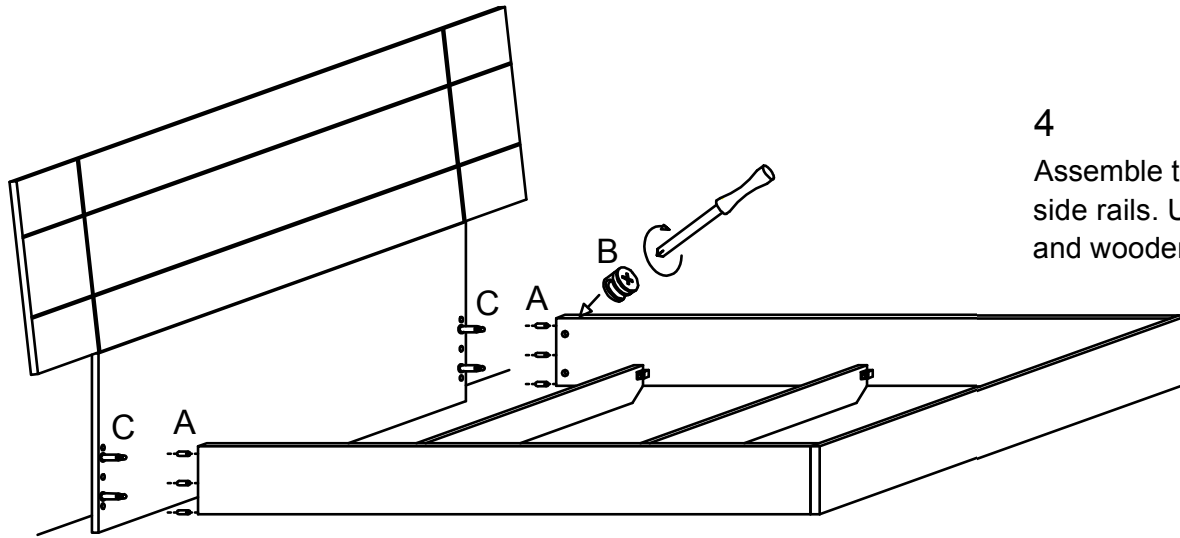
A		Wooden dowels (24 pcs)
B		Cams (8 pcs)
C		Pins (8 pcs)
D		Screws TBL 4MA (6 pcs)
E		Cams for TBL 4MA (6 pcs)
F		Screws TBL 6MA (18 pcs)



IMPORTANT  
ASSEMBLING THIS  
UNIT NEEDS  
MINIMUM 2 PEOPLE

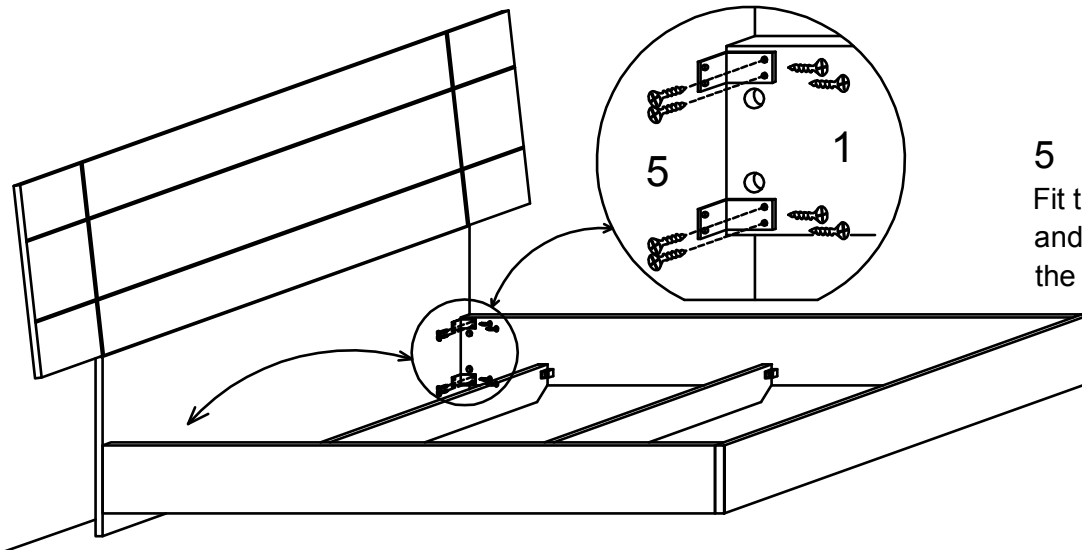


**NO**  
DON'T USE THE DRILL



4

Assemble the headboard to the side rails. Using the pins, cams and wooden dowels









5

Fit the iron corner on the side rails and to the under headboard, using the screws TSP 4x20

## LEGEND

1	Side rails
2	Ring / Slat support
3	Side rails
4	Footboard
5	Under headboard
6	Headboard

## PARTS CHECKLIST

A		Wooden dowels (24 pcs)
B		Cams (8 pcs)
C		Pins (8 pcs)
D		Screws TBL 4MA (6 pcs)
E		Cams for TBL 4MA (6 pcs)
F		Screws TBL 6MA (18 pcs)

