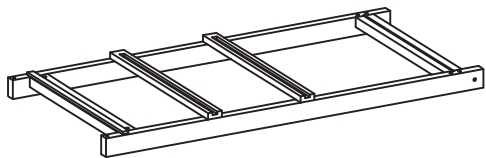


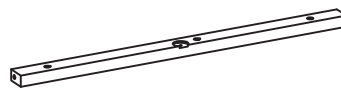
IMPORTANT, RETAIN FOR FUTURE REFERENCE: READ CAREFULLY

ASSEMBLY & INSTRUCTION MANUAL

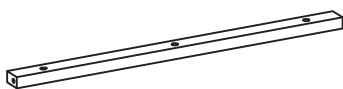
1 x 1



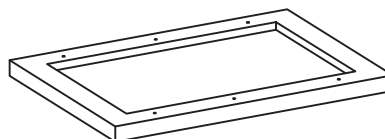
2 x 1



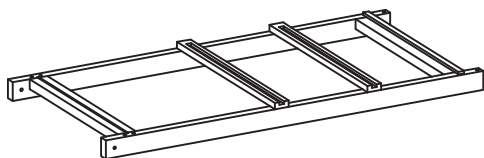
3 x 1



4 x 1



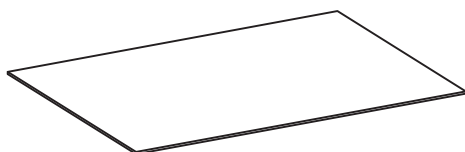
5 x 1



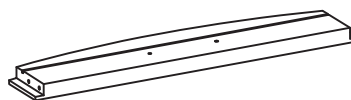
6 x 2



7 x 1



8 x 1



9 x 2



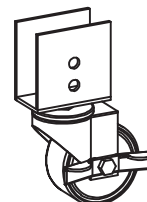
10 x 1



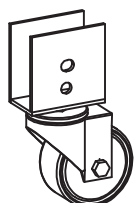
11 x 1



G x 2



H x 2



K x 1



M x 2



A x 2



B x 1



M3.8*12

C x 1



D x 1



M3*12

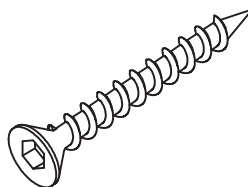
E x 14

+1(spare)



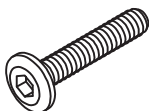
F x 12

+1(spare)



M4*25

I x 4



M5*50

J x 4



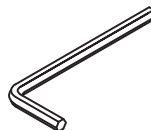
M6*30

L x 2



M6*30

N x 1



M4*25

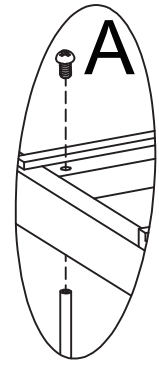
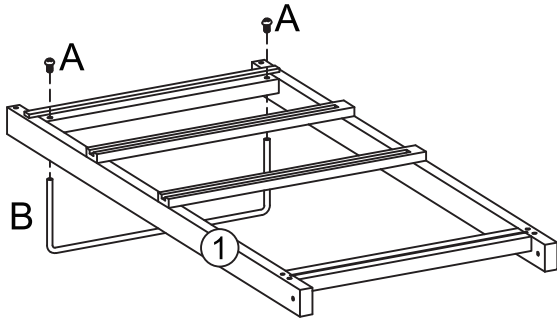
O x 1



A x 2



B x 1



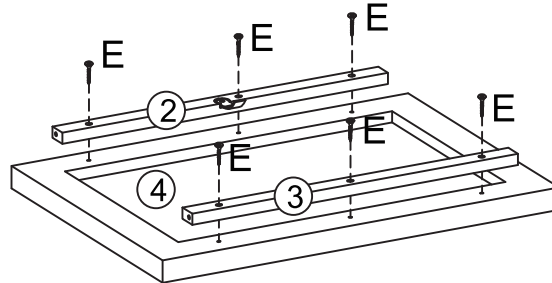
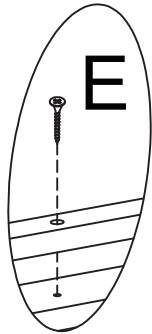
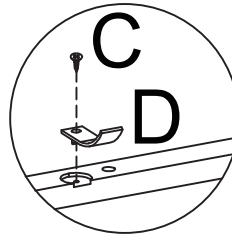
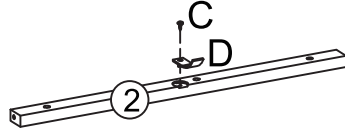
C x 1



D x 1



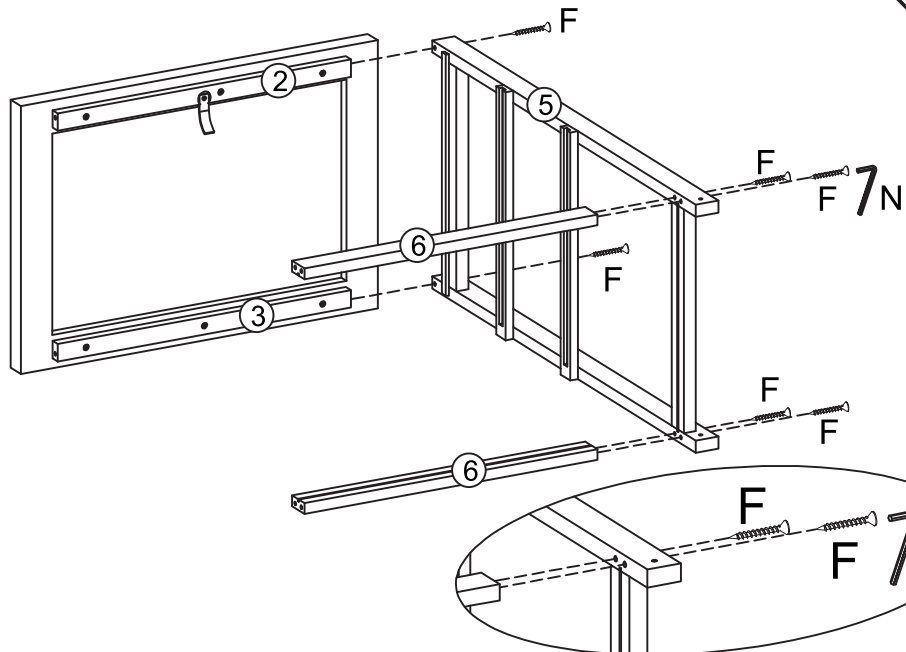
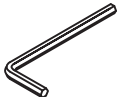
E x 6

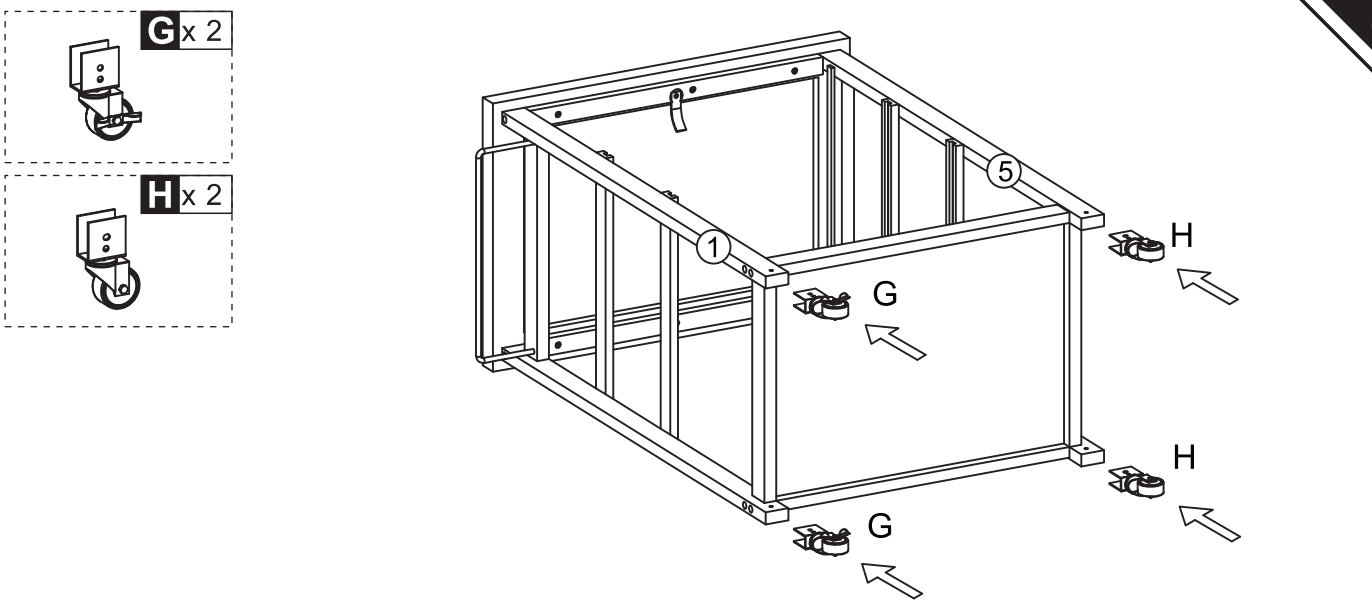
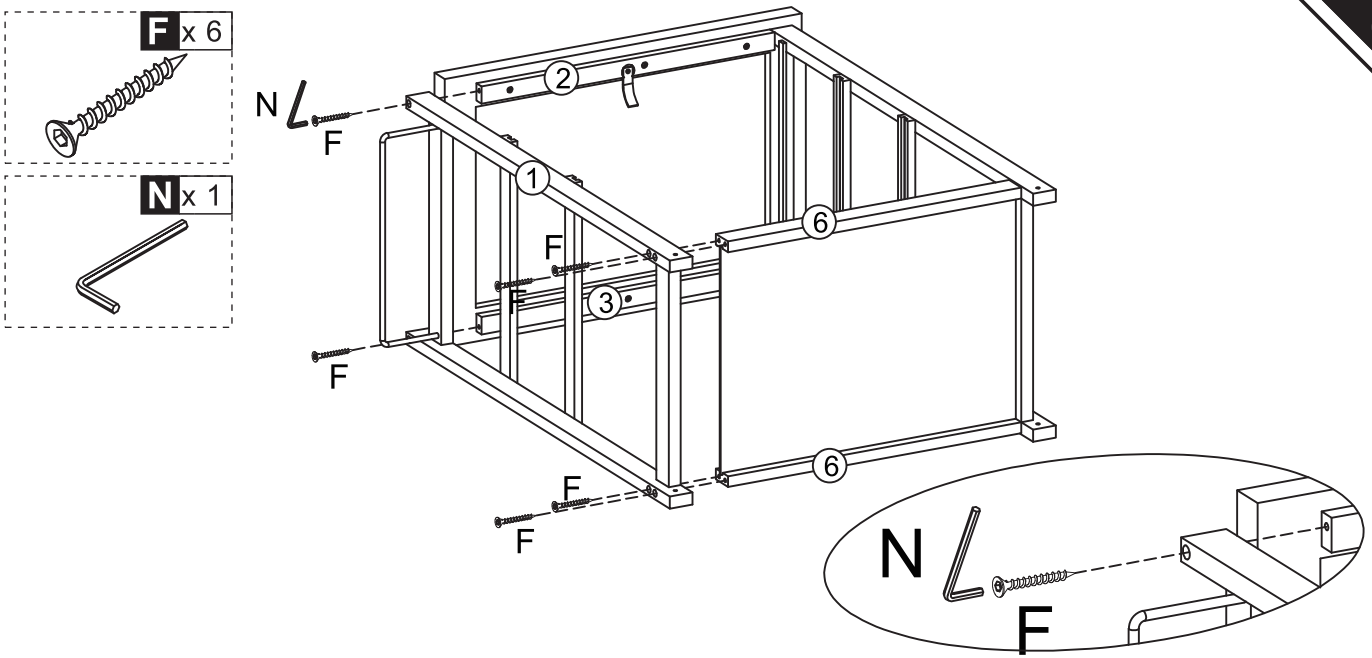
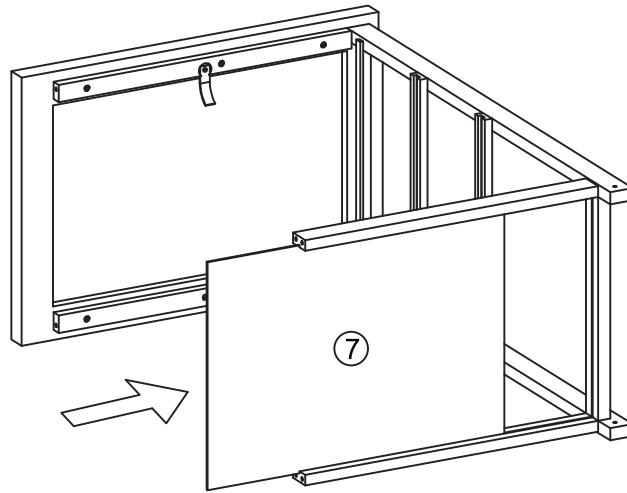


F x 6

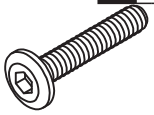


N x 1





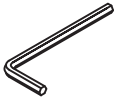
I x 4



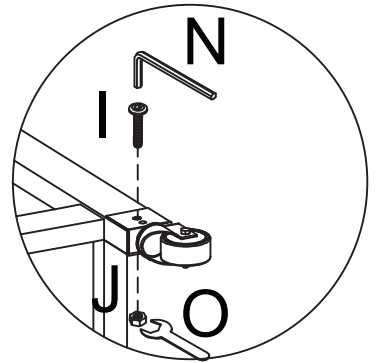
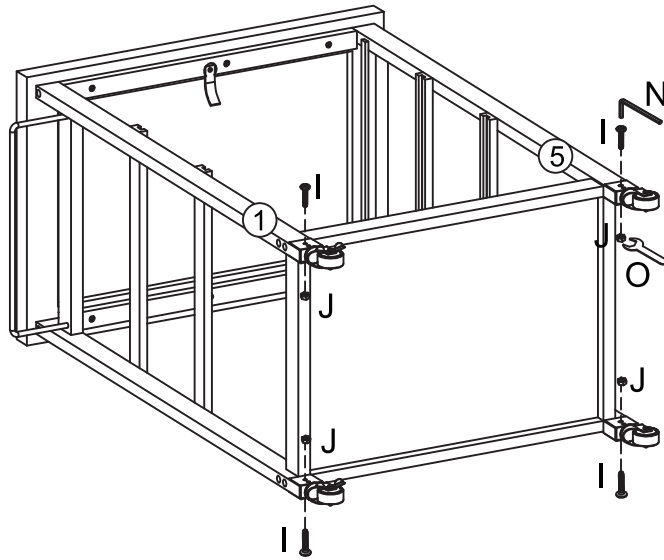
J x 4



N x 1



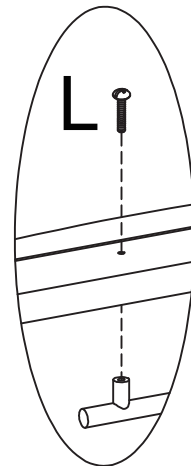
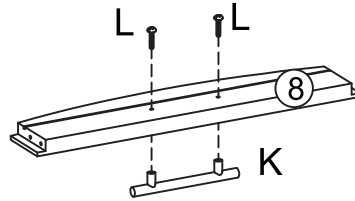
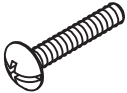
O x 1



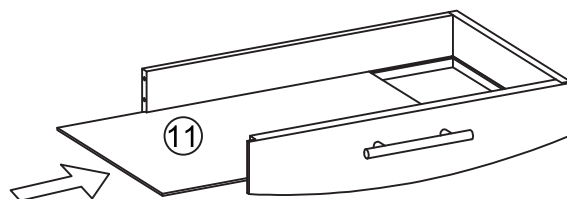
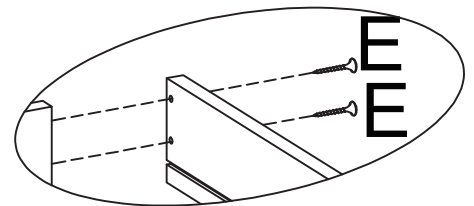
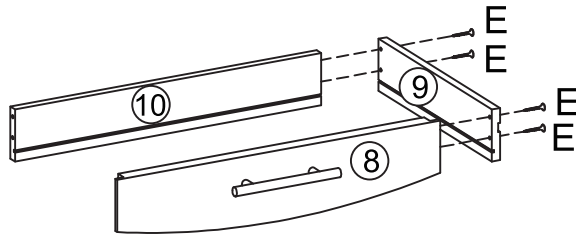
K x 1



L x 2

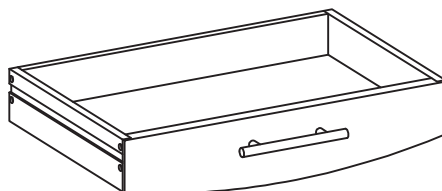
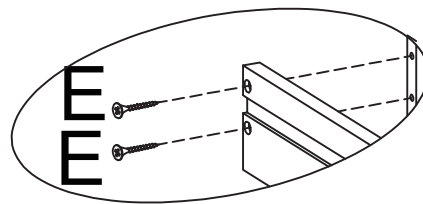
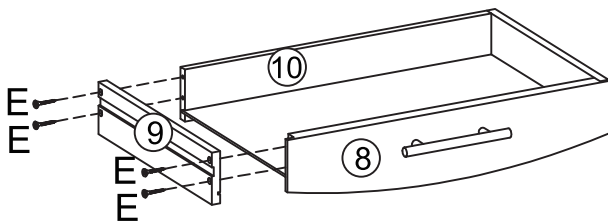


E x 4



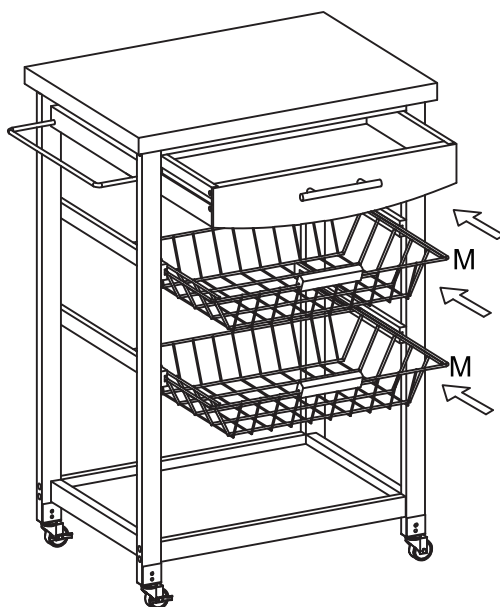
10

E x 4



11

M x 2



Done

