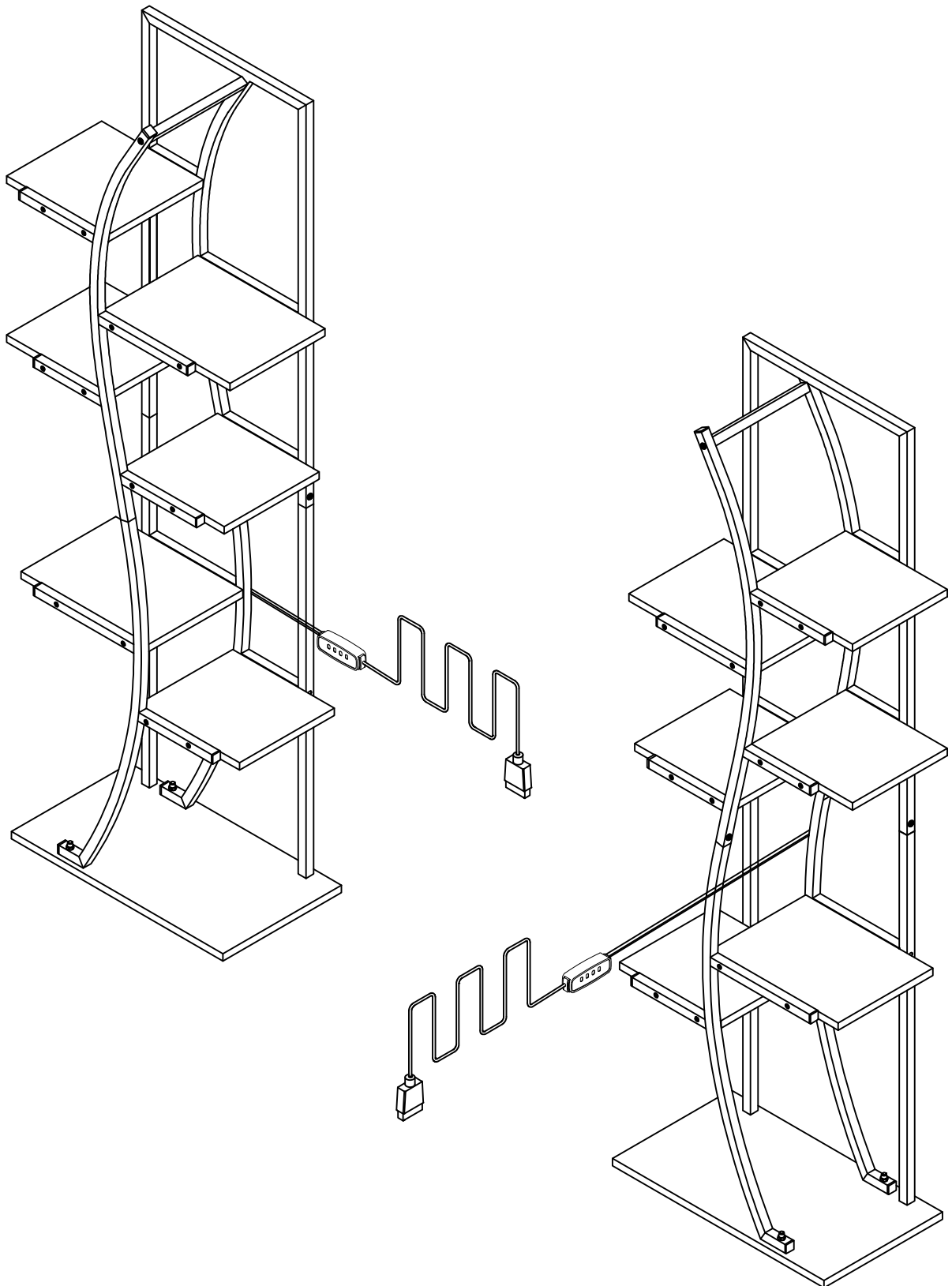
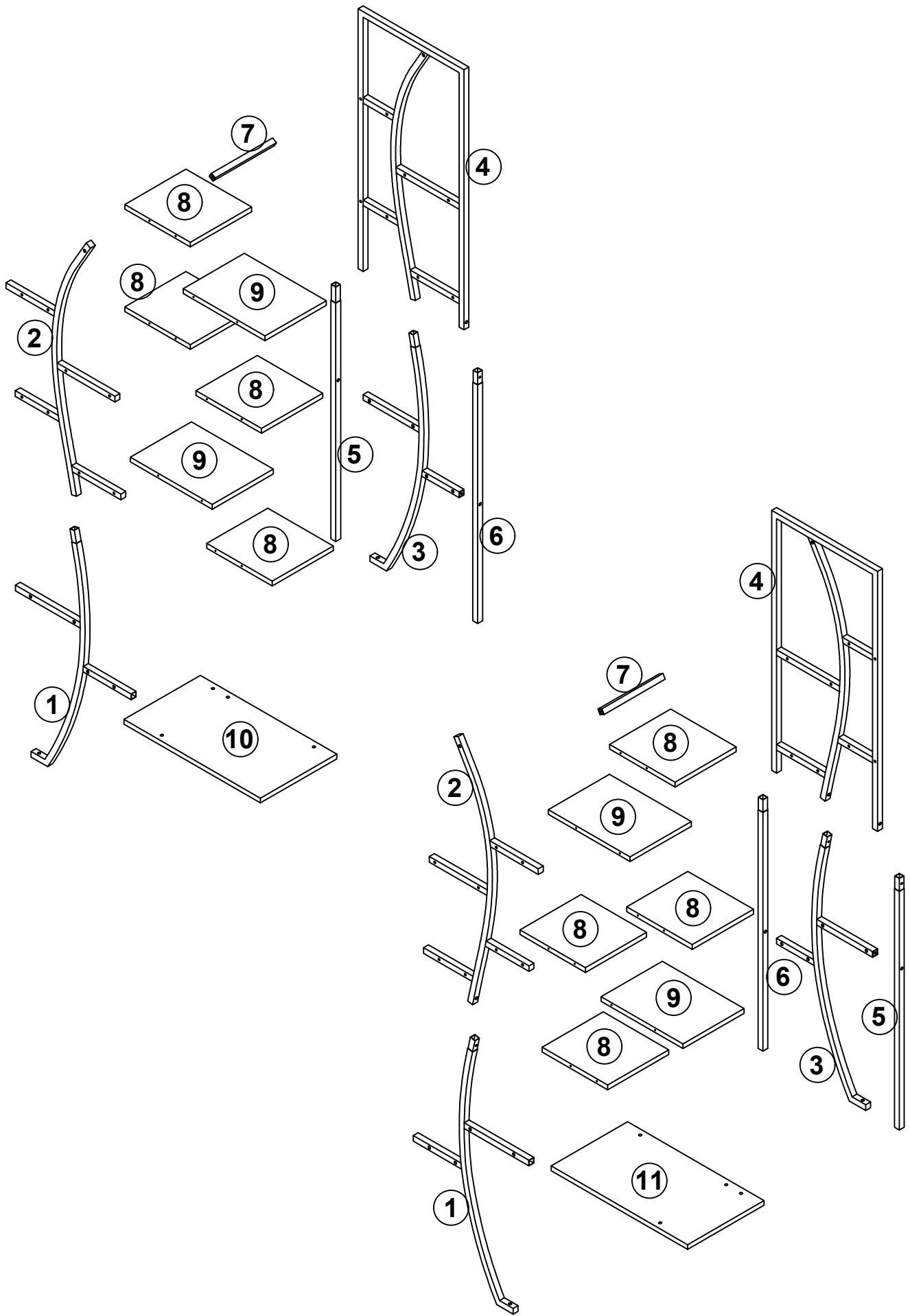
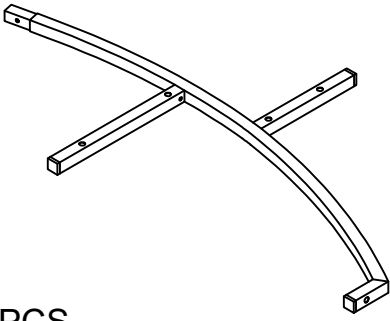


# INSTRUCTIONMANUAL



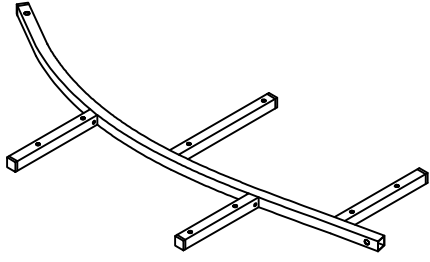


①



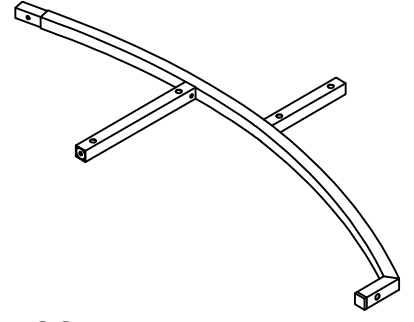
2 PCS

②



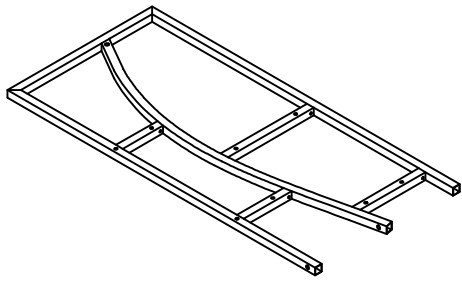
2 PCS

③



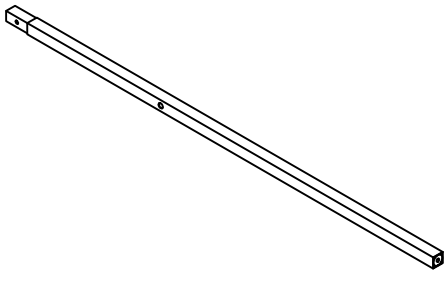
2 PCS

④



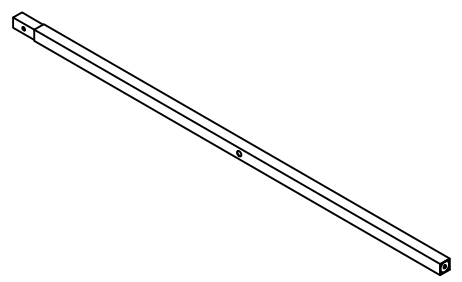
2 PCS

⑤



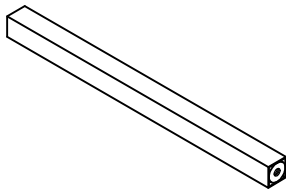
2 PCS

⑥



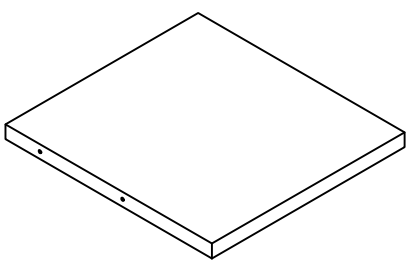
2 PCS

⑦



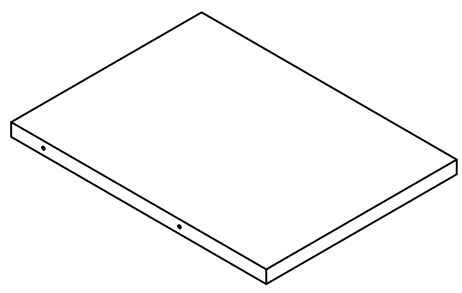
2 PCS

⑧



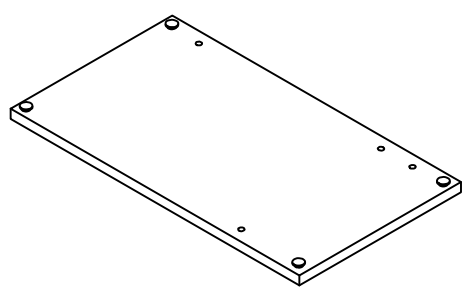
8 PCS

⑨



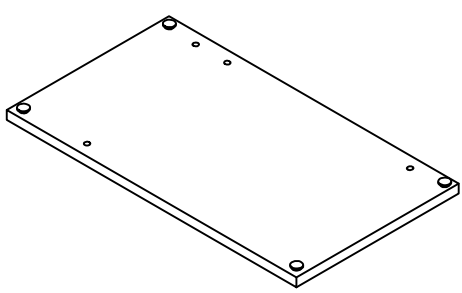
4 PCS

⑩



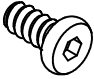

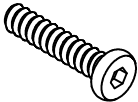
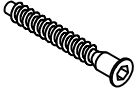

1 PC



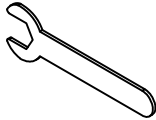
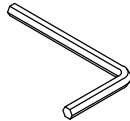
⑪



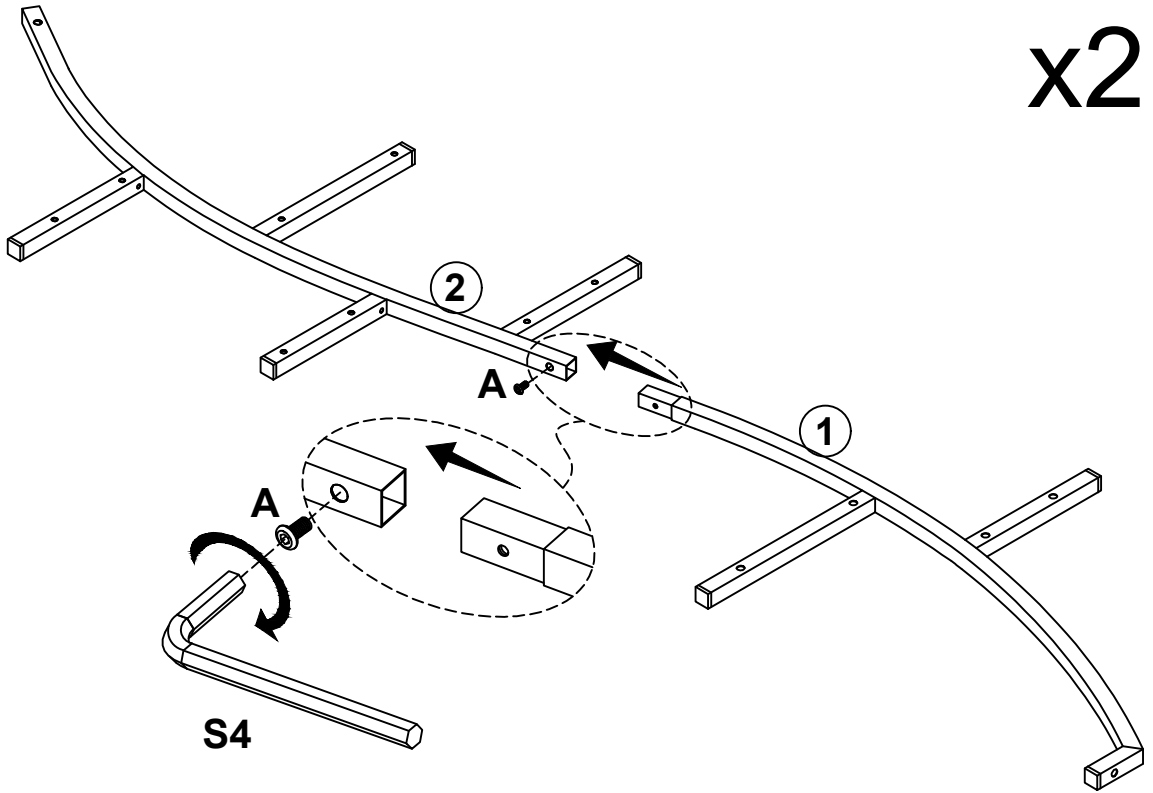
1 PC


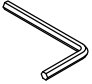
# Hardware

A	 M6x12	8
B	 M6x28	12
C	 M6x40	4
D	 M6*50	48
E	 M6x11.6	4

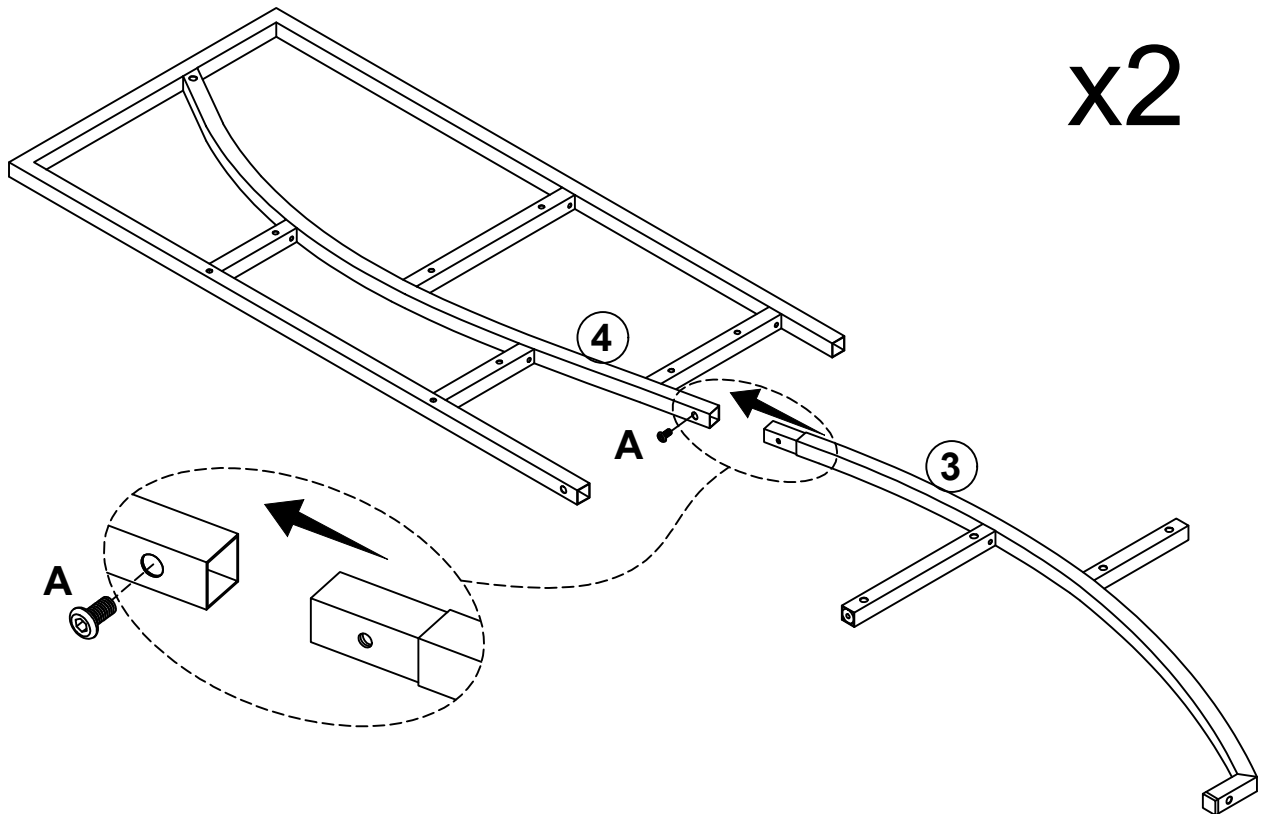
F	 $\varnothing 6 \times 30$ $\varnothing 10 \times 360$ ST3.5*35	2
-		2
#10		1
S4		1


Step: 1



A	x2	S4	
			
M6x12			

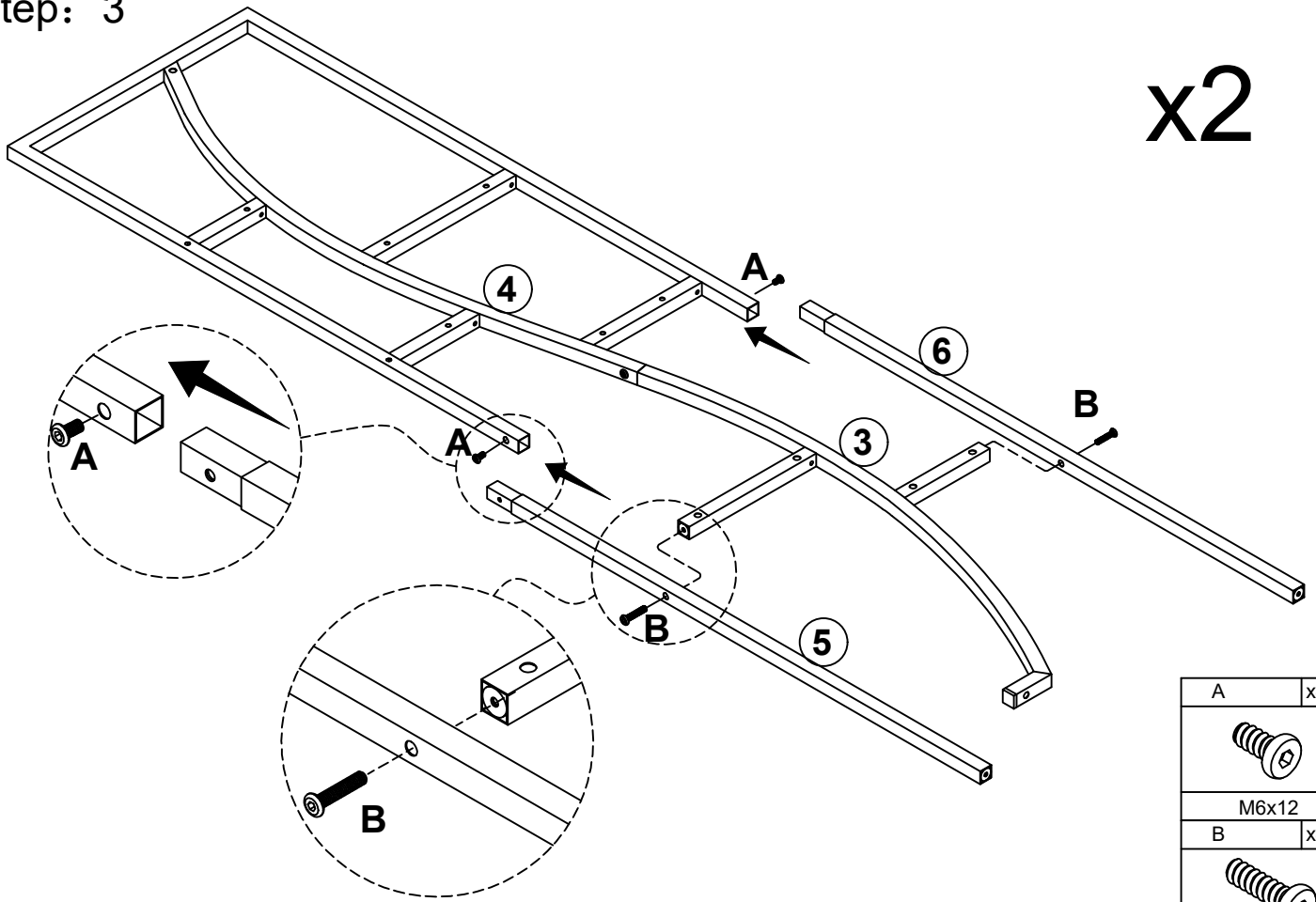
Step: 2





A	x2		
			
M6x12			

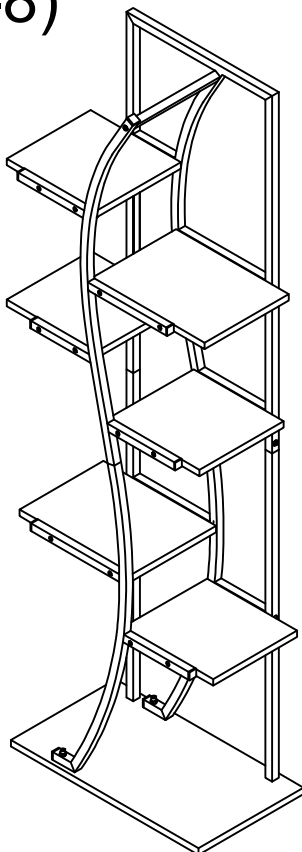
Step: 3

x2

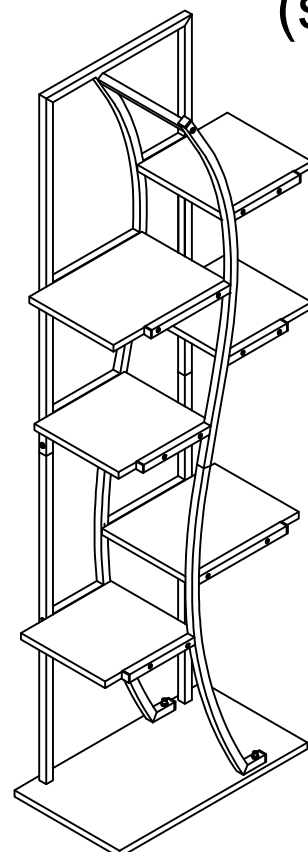


A	x4
	
M6x12	
B	x4
	
M6x28	

Left  
(step4-8)

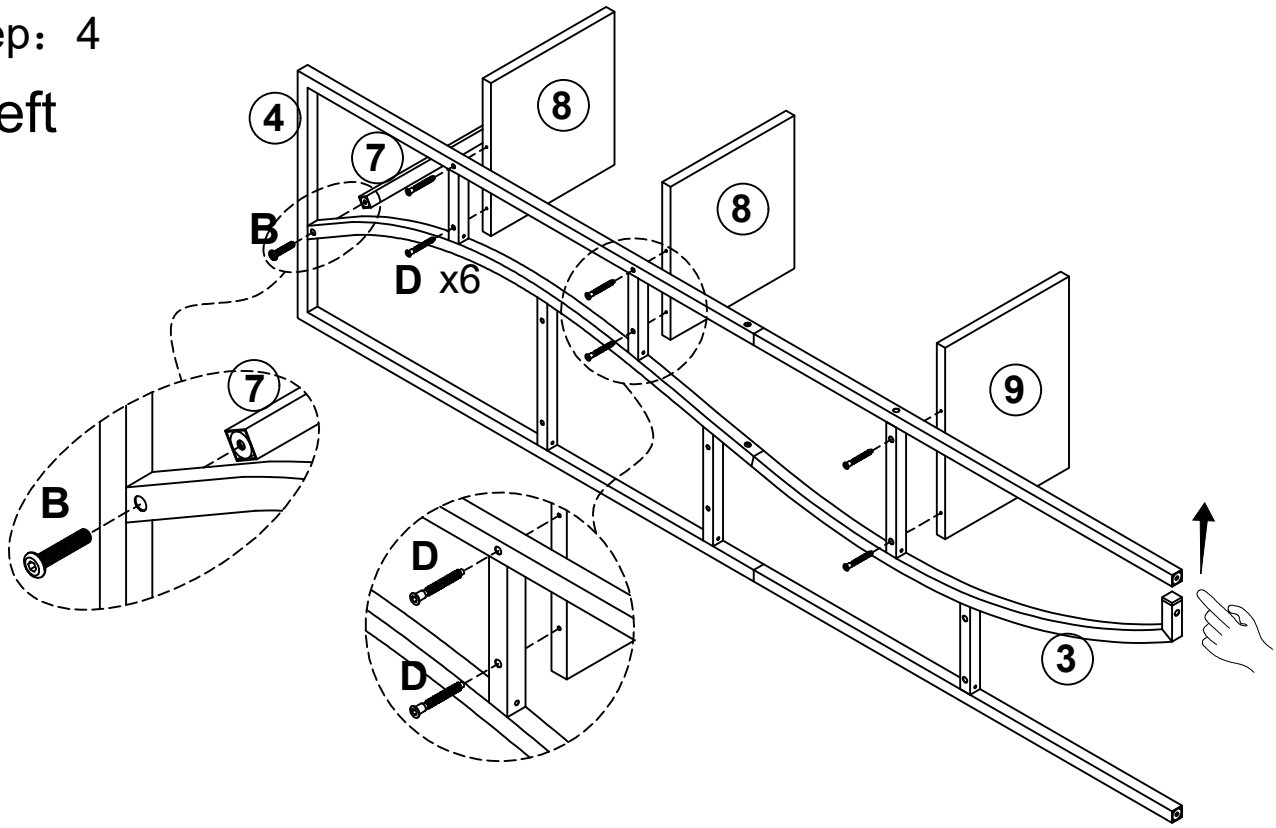




Right  
(step9-13)



Step: 4

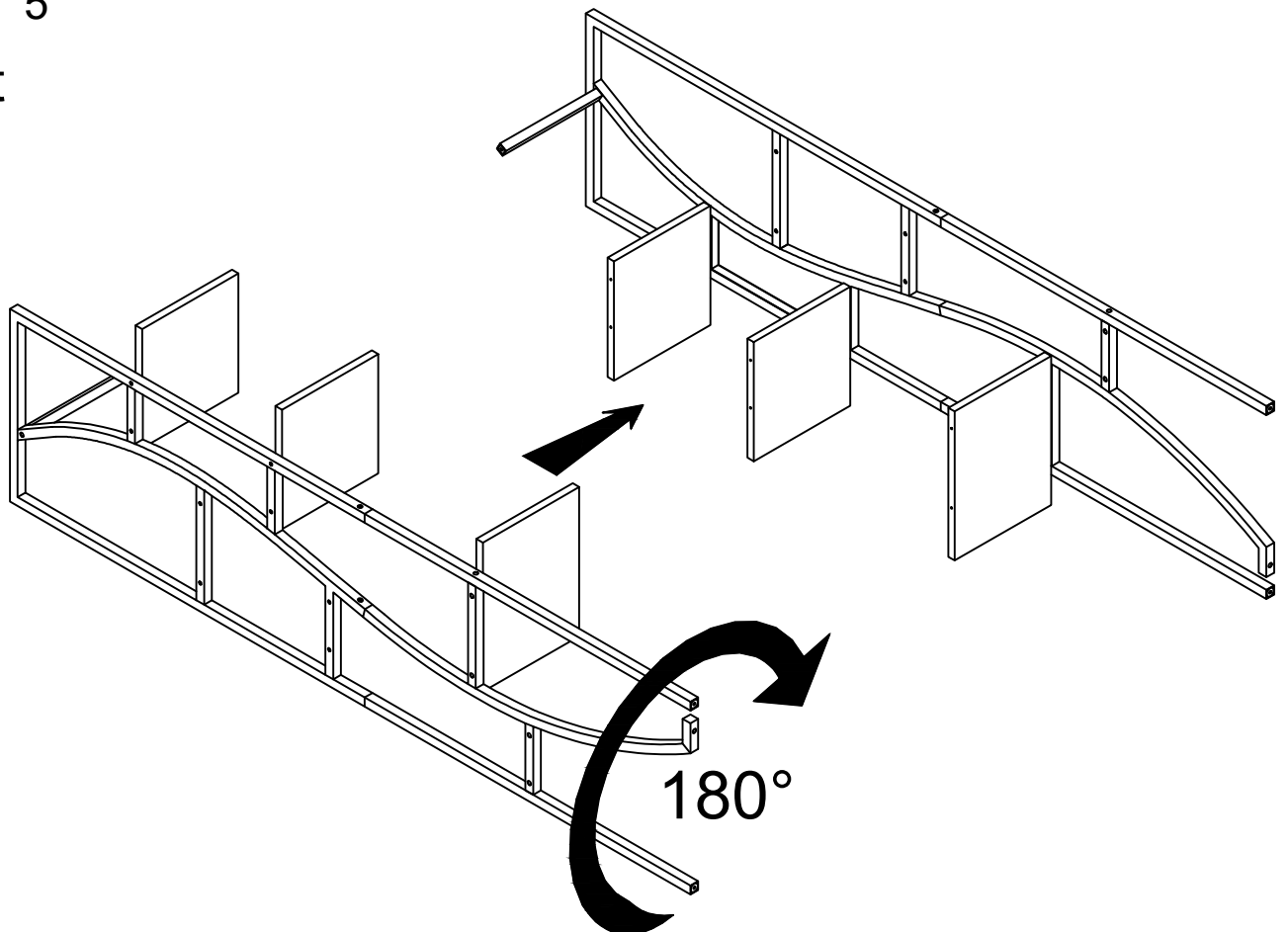
Left



D	x6	B	x1
			
M6x50		M6x28	

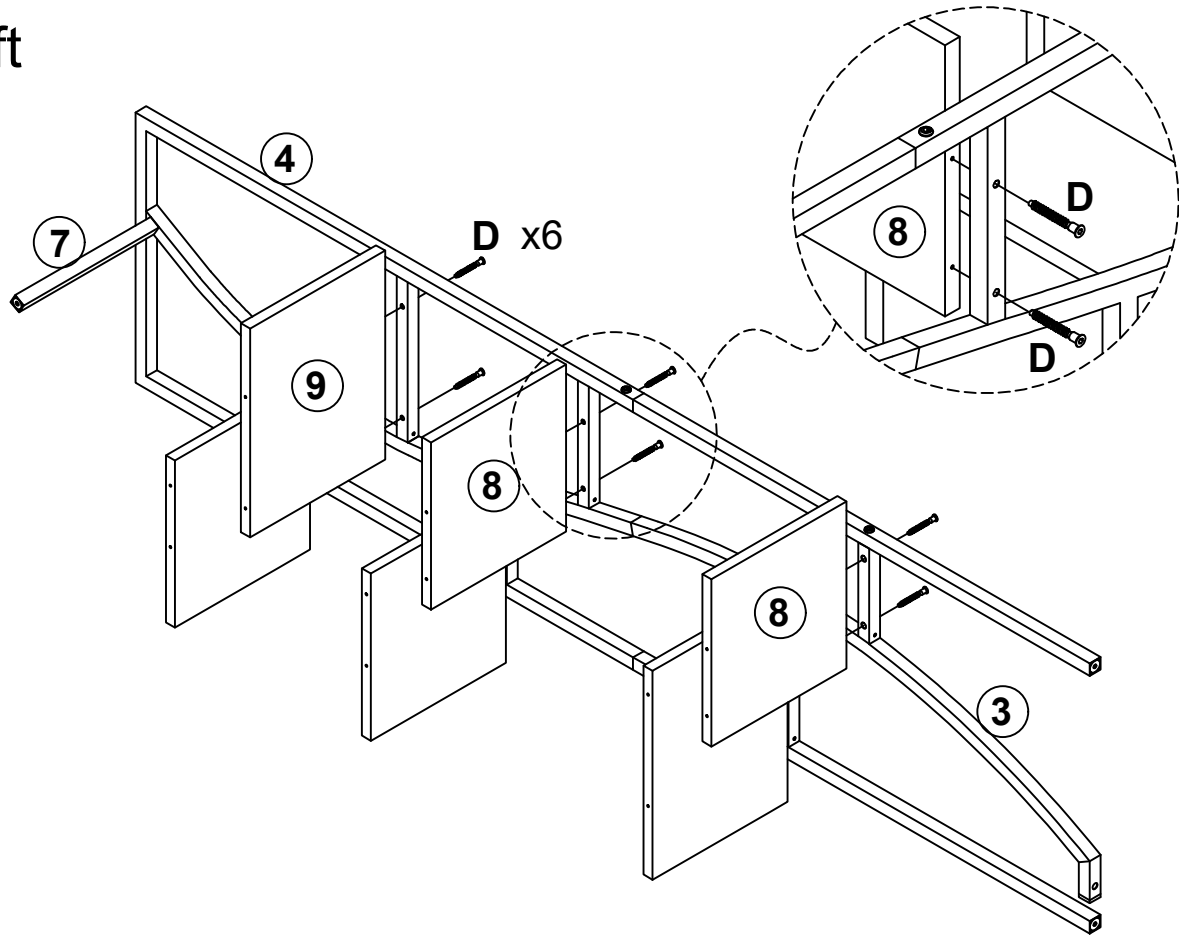
Step: 5

Left



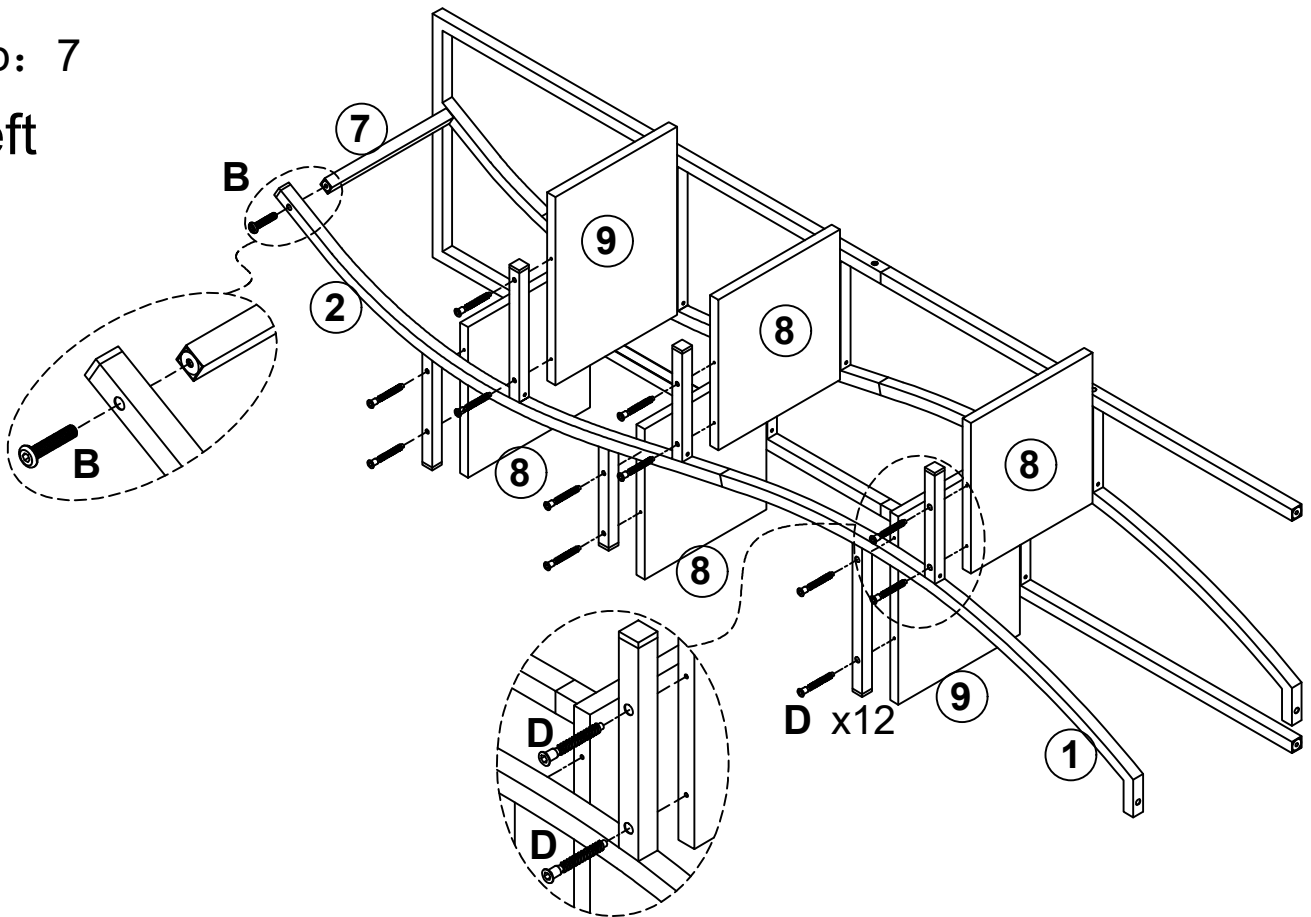
Step: 6

Left



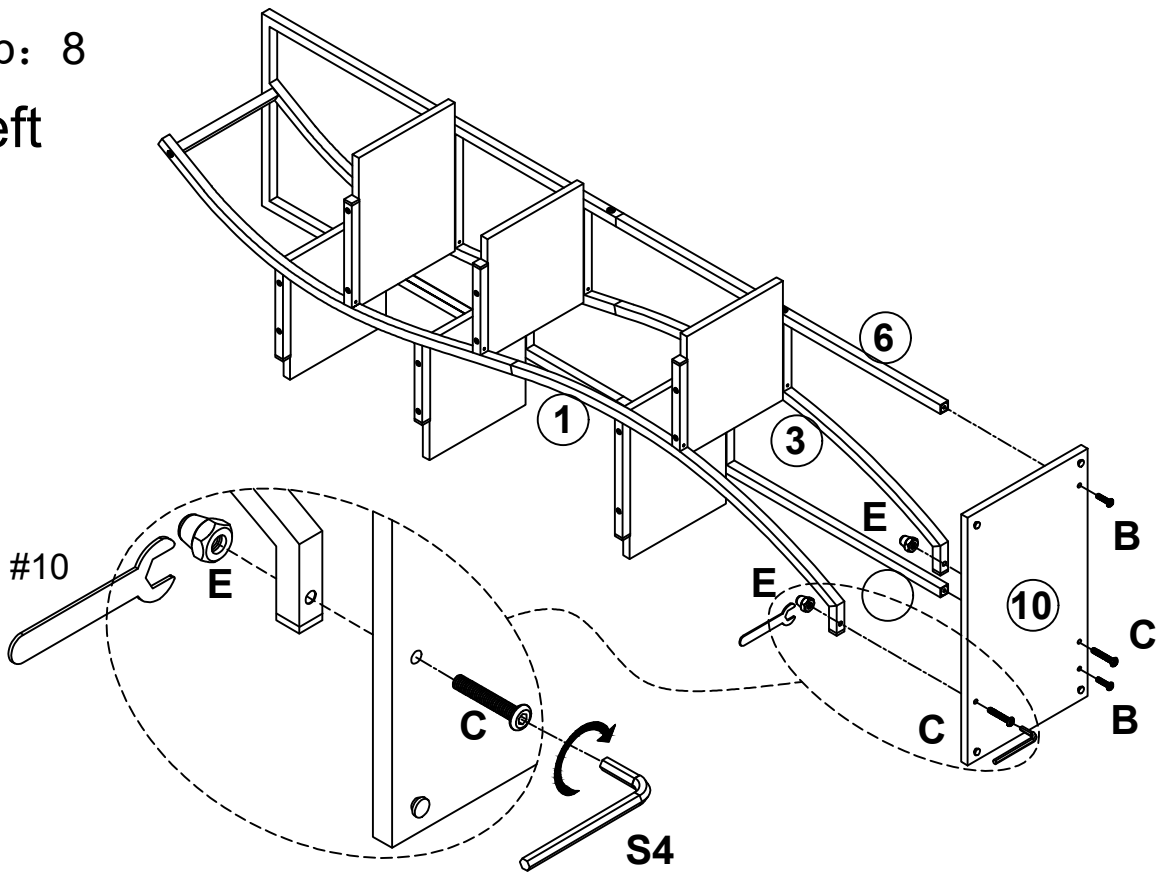
Step: 7


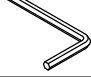



Left



# Step: 8

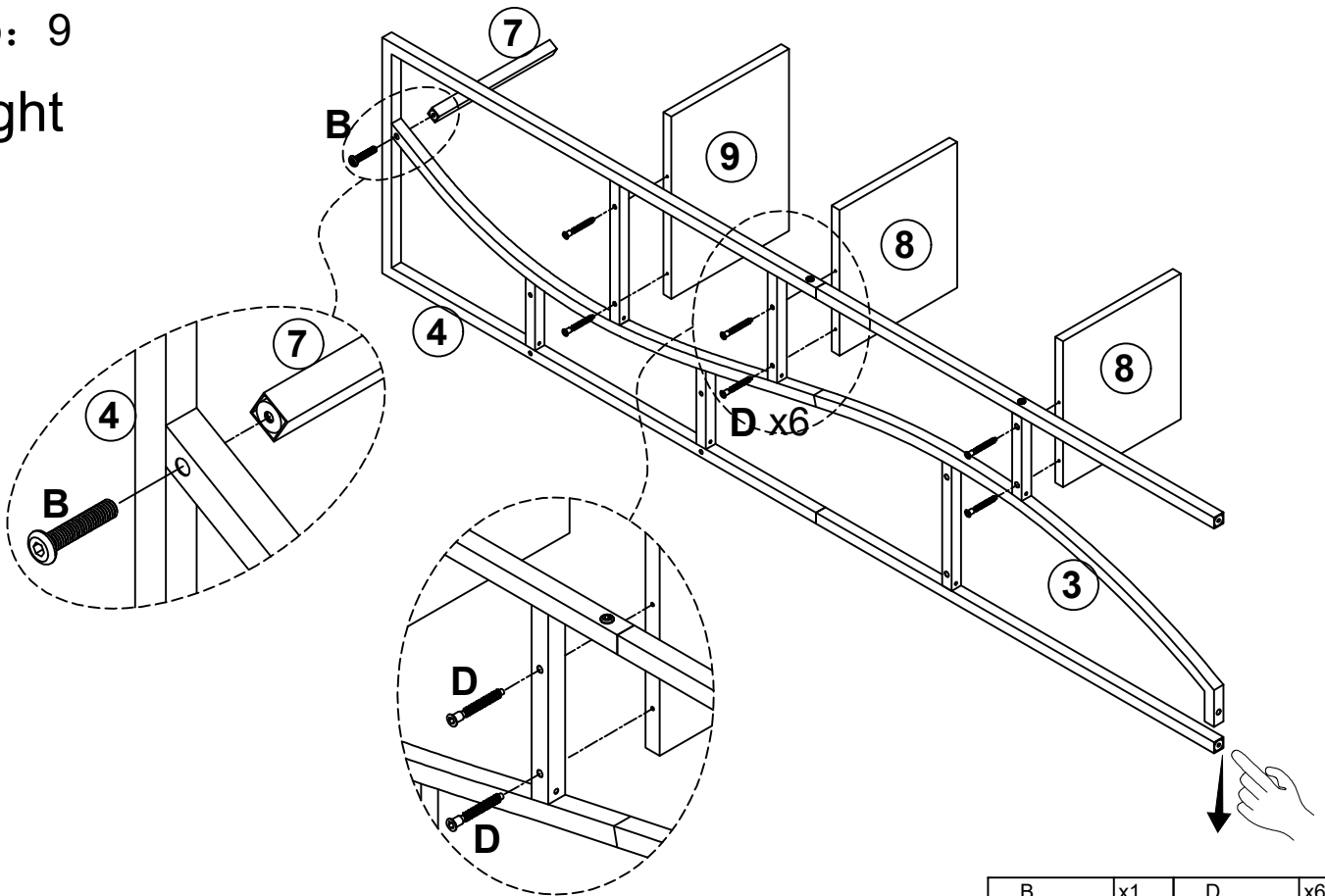
## Left





				C	x2
					
				M6x40	
S4	#10	E	x2	B	x2
					
		M6x11.6		M6x28	

# Step: 9

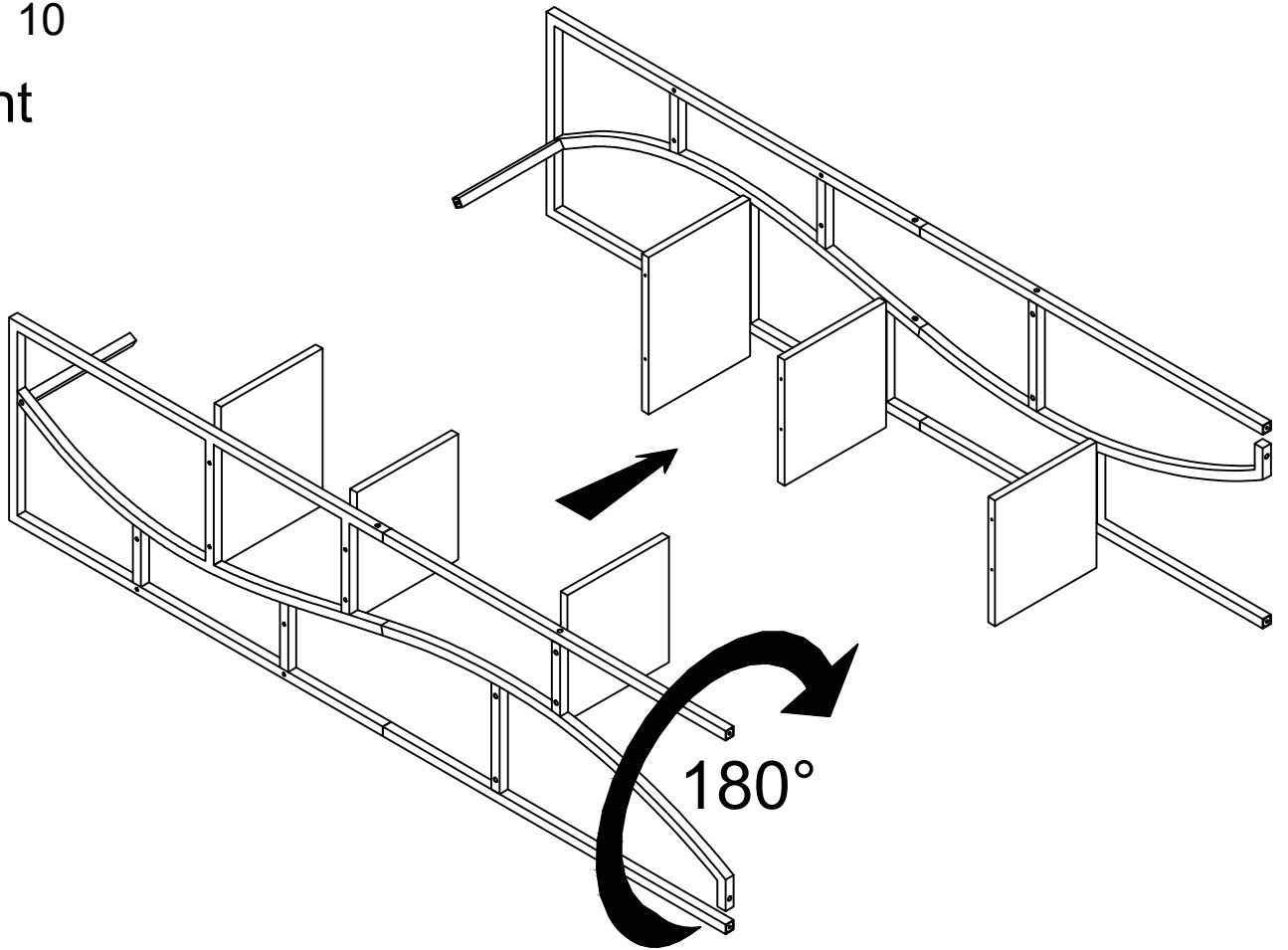
## Right



B	x1	D	x6
			
M6x28		M6x50	

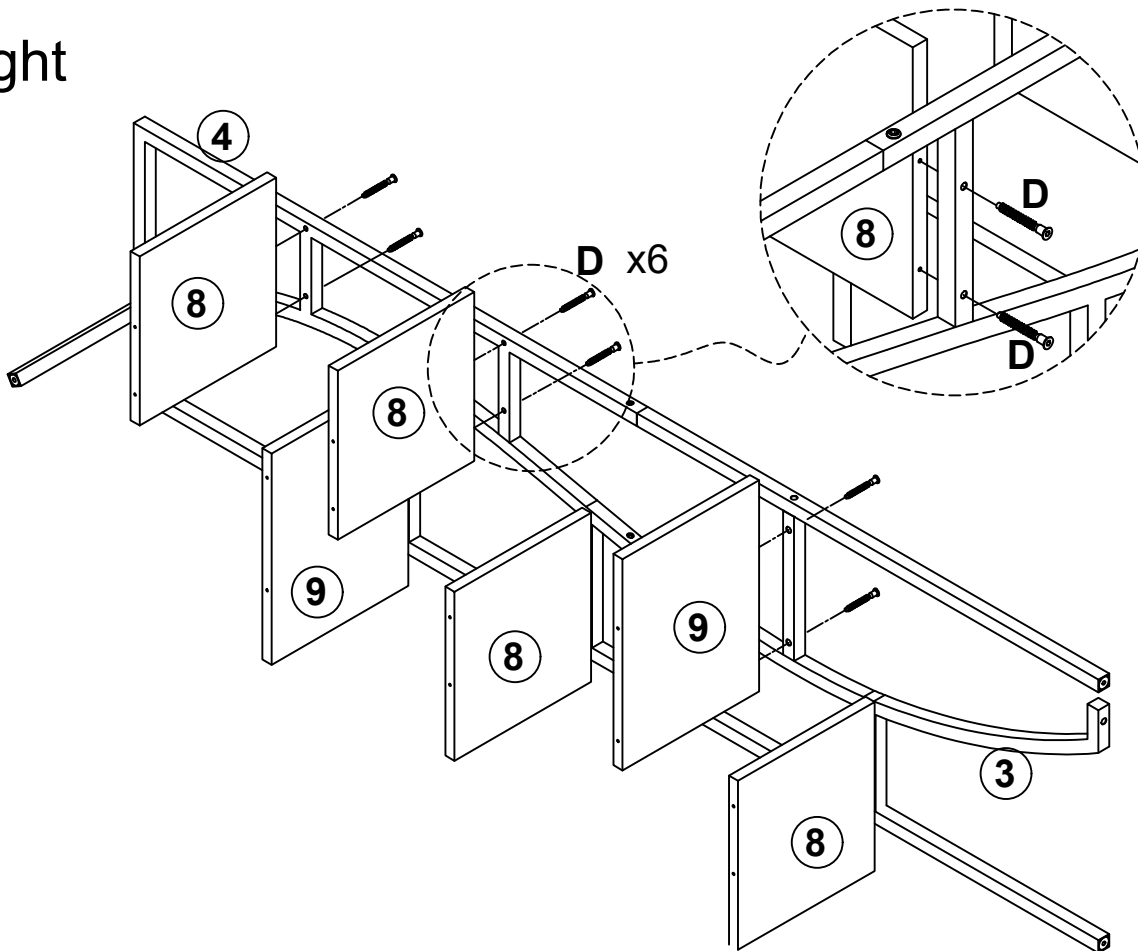
Step: 10


Right



Step: 11

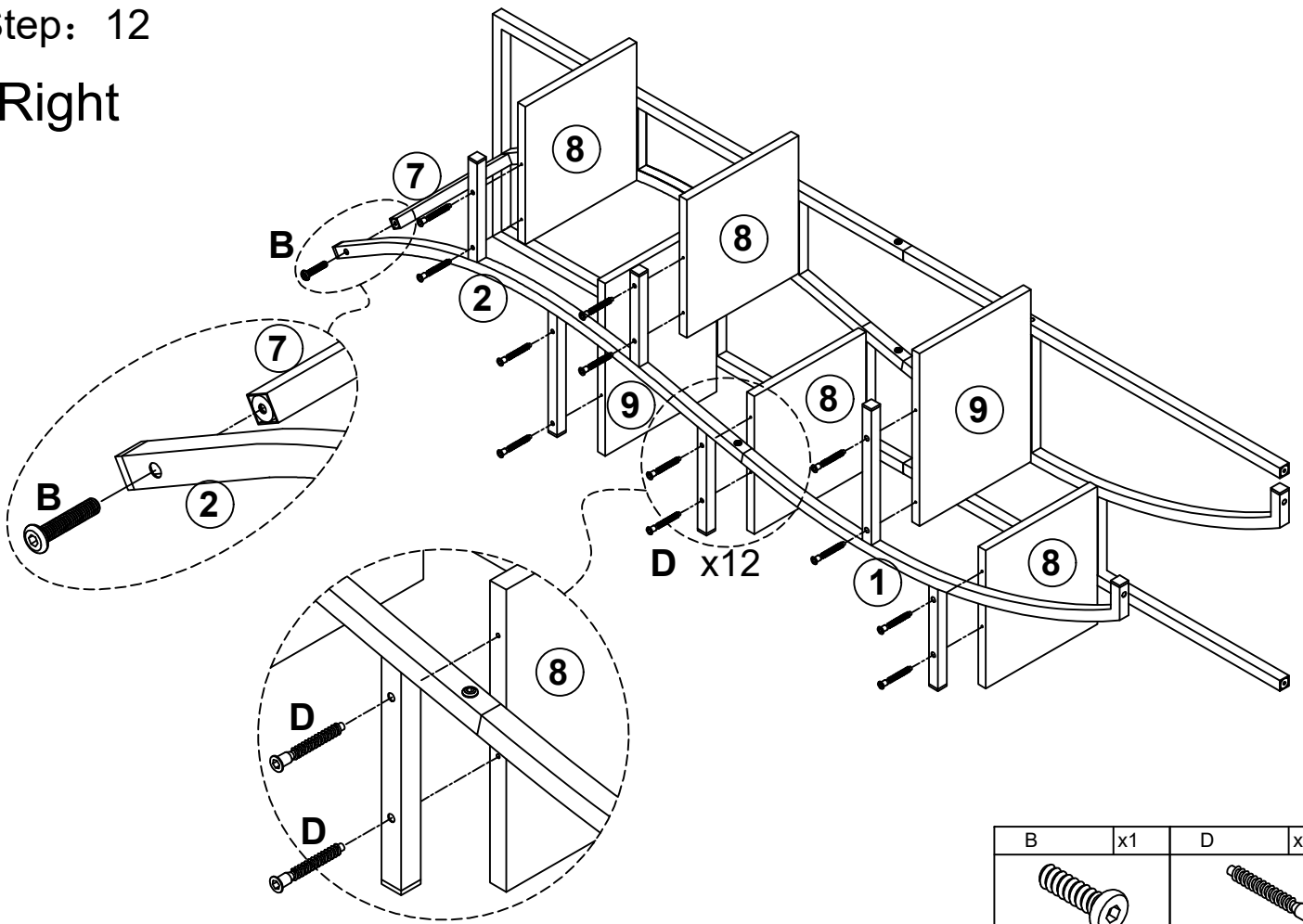
Right





D	x6
	
M6x50	

Step: 12

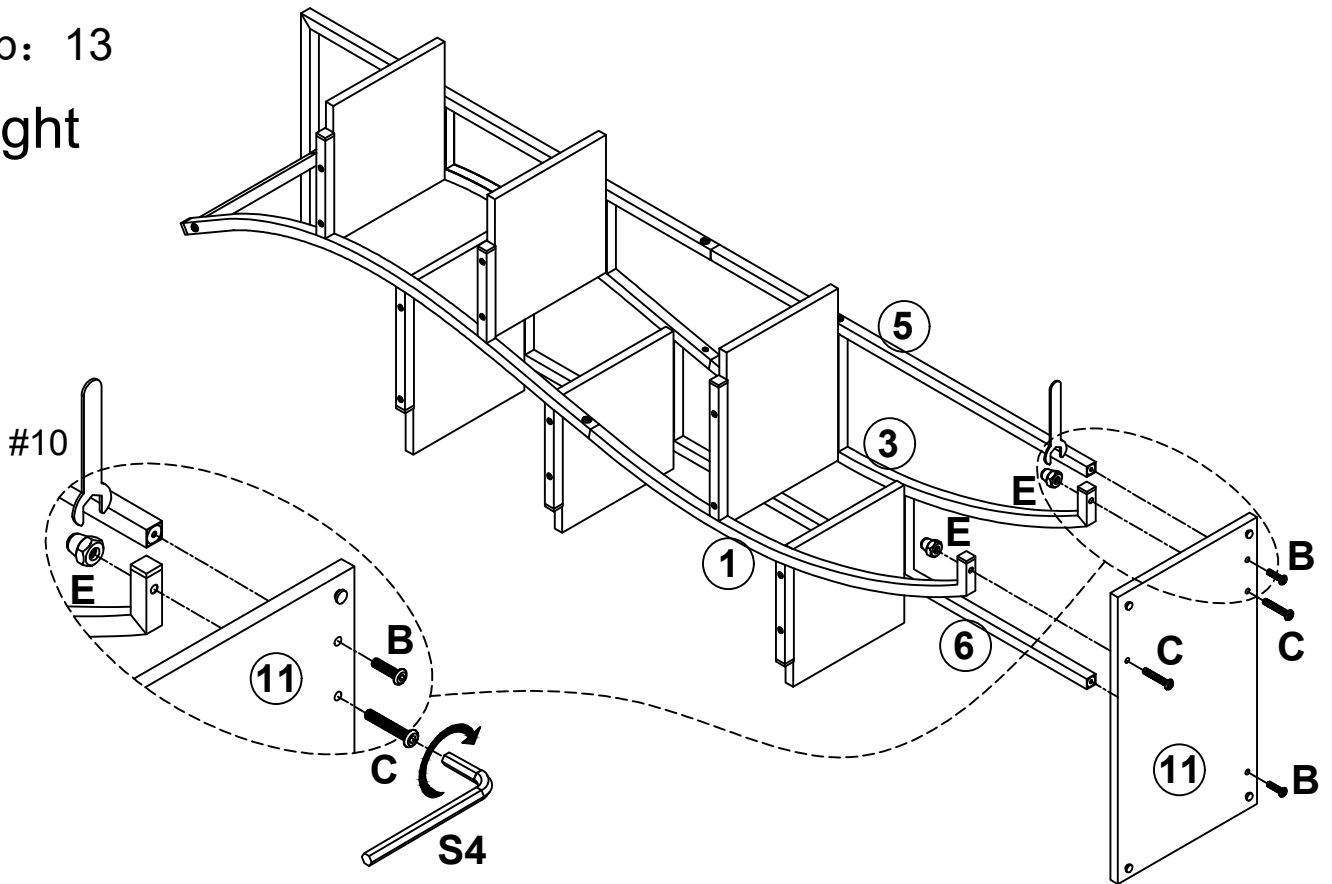
Right

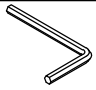
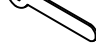





B	x1	D	x12
			
M6x28		M6x50	

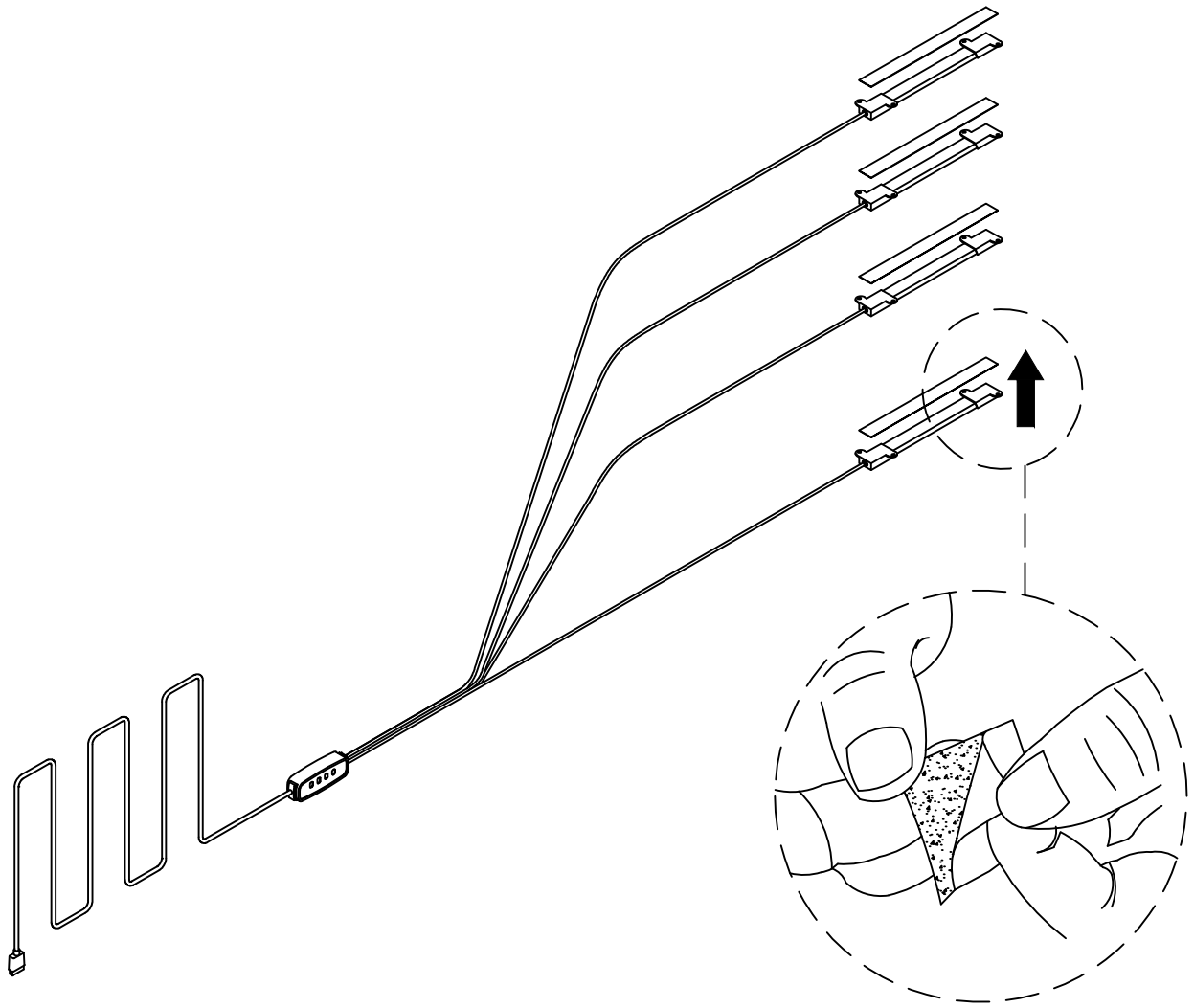
Step: 13

Right



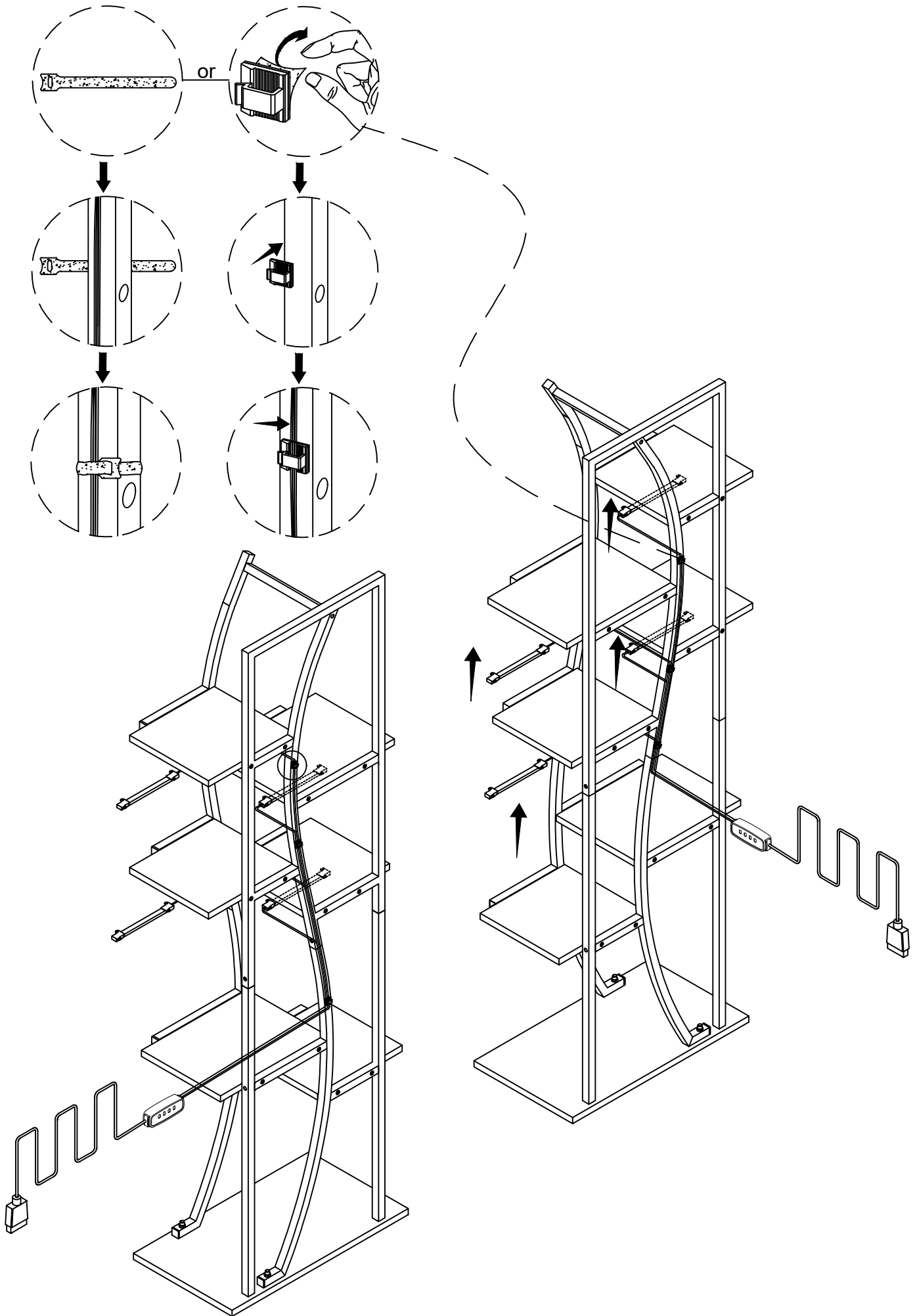
S4	#10	E	x2	C	x2	B	x2
							
		M6x11.6		M6x40		M6x28	

Step: 14

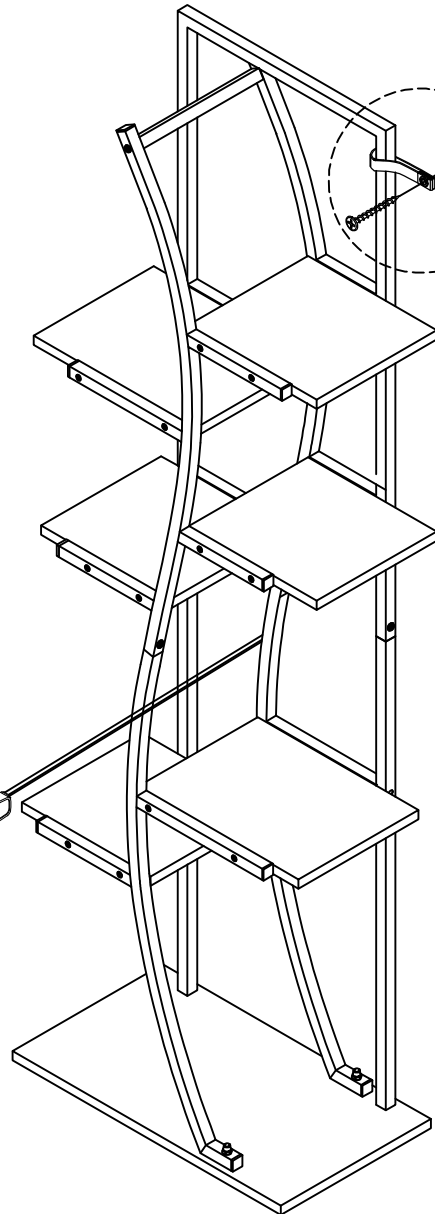
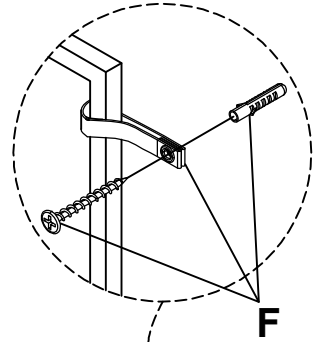
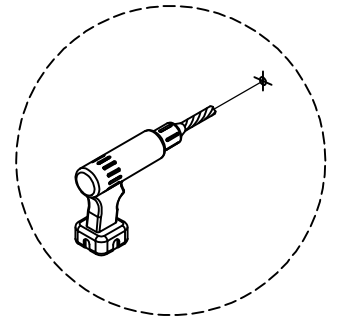
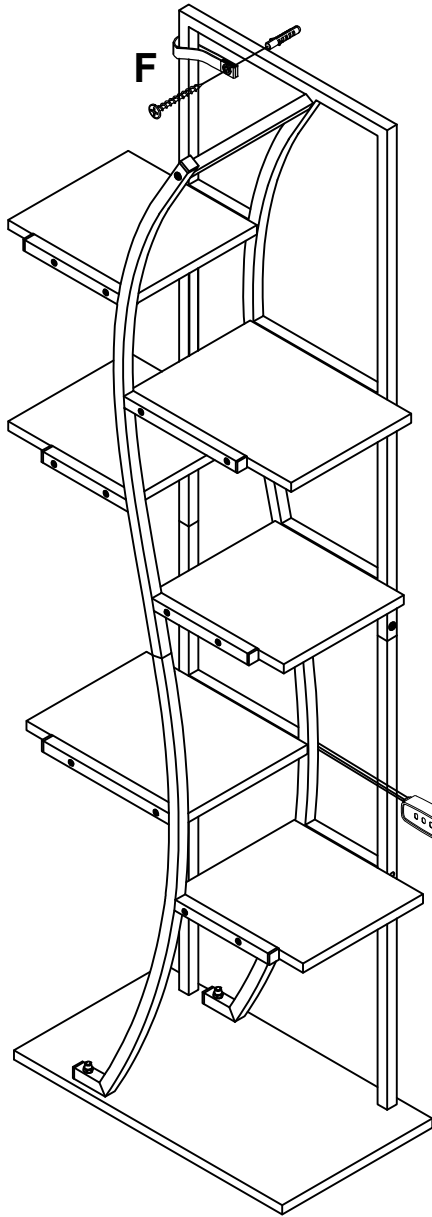


-	x2

Step: 15



Step: 16



F	x2