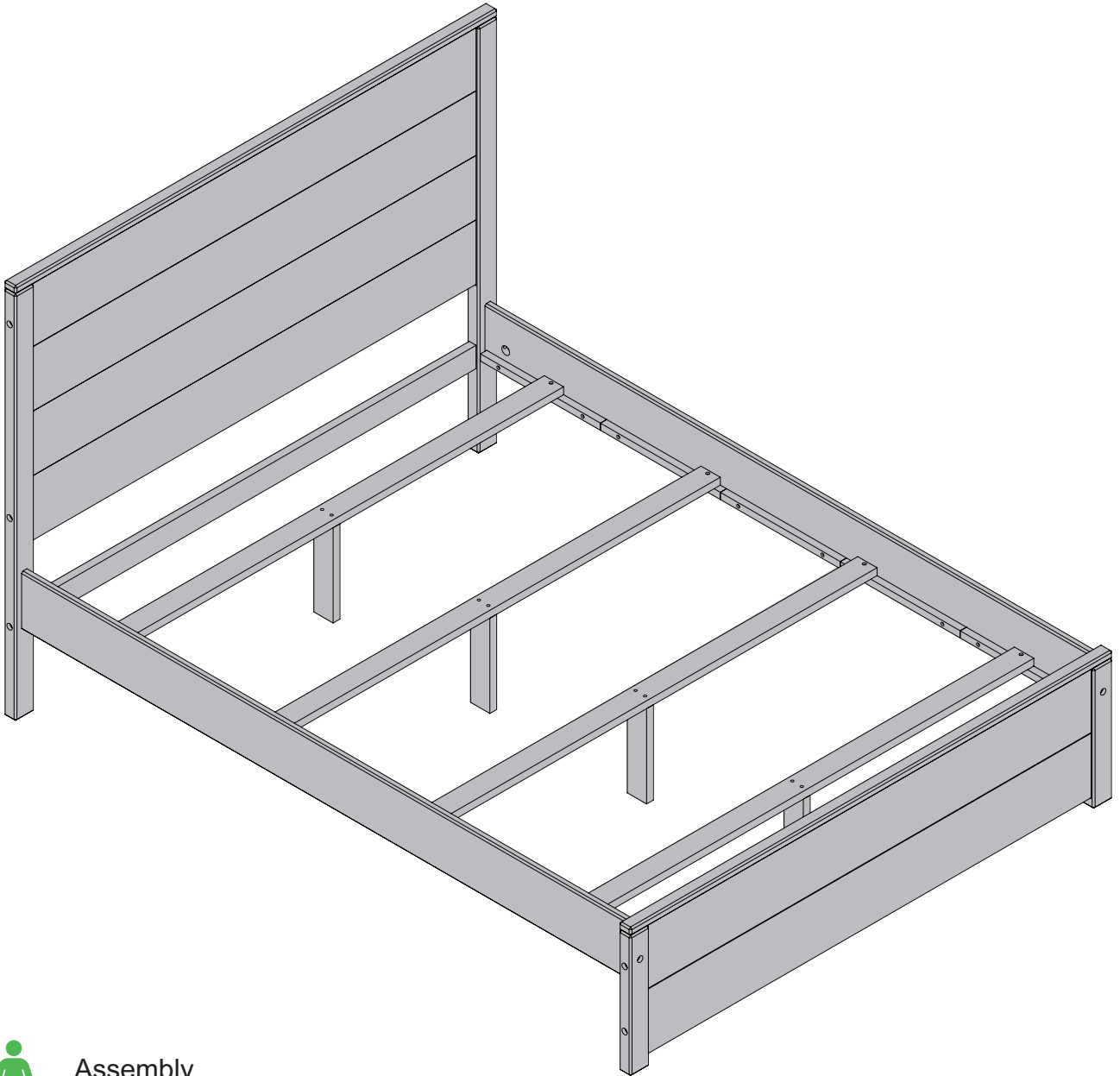


King Size



Assembly
02 people



Time
1:30 hours approximately

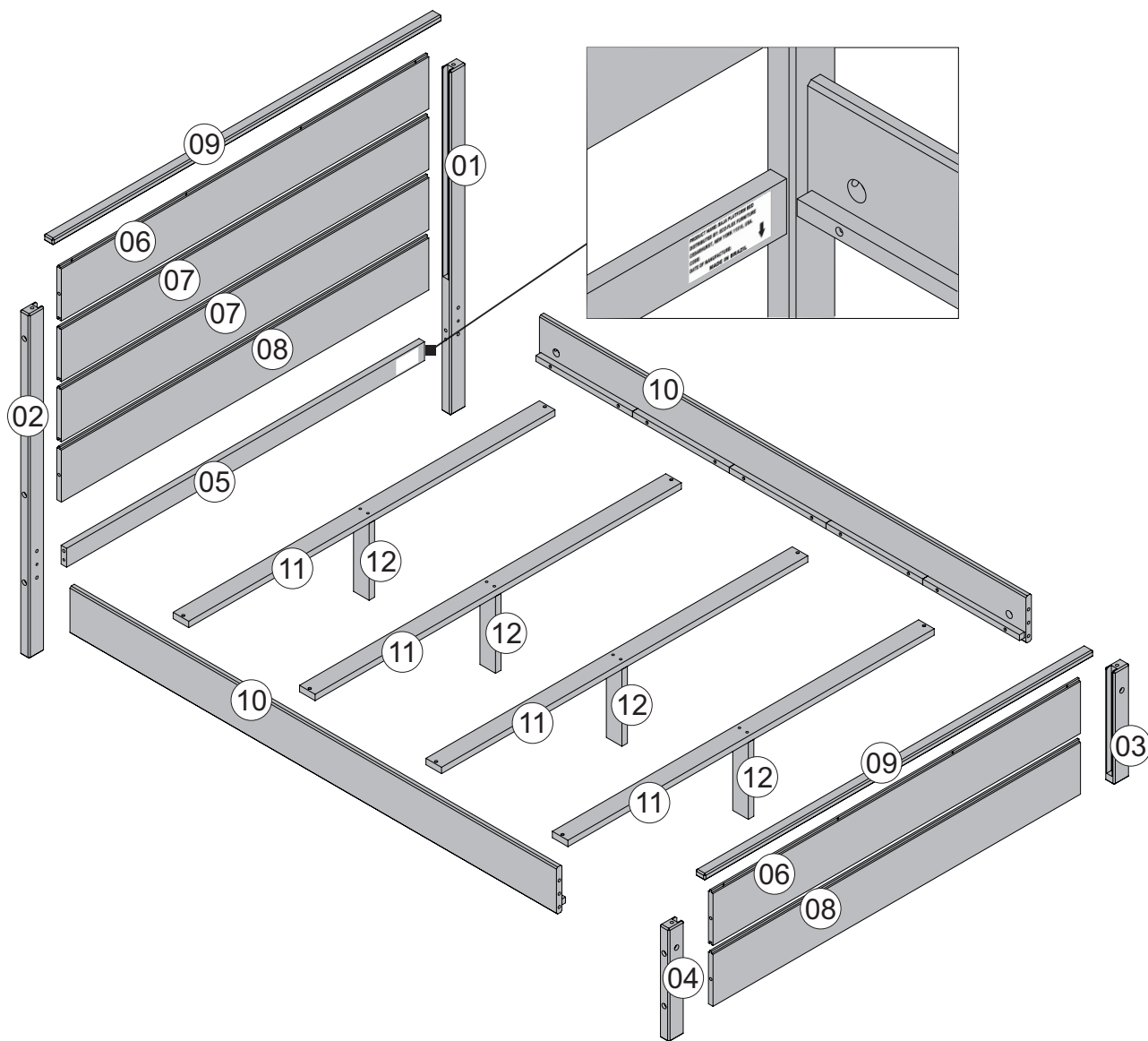


Tools
philips key, rubber hammer



Volume quantity
01 box

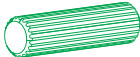


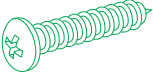


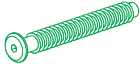

Parts list for assembly. Please confirm all parts available before assembly

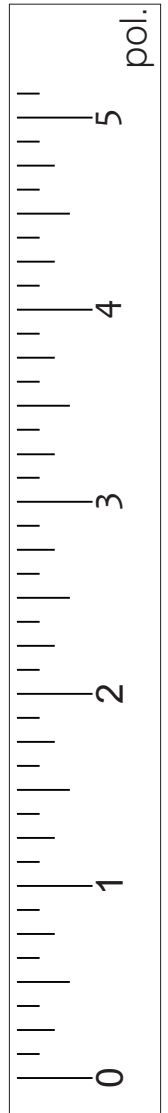


ATTENTION

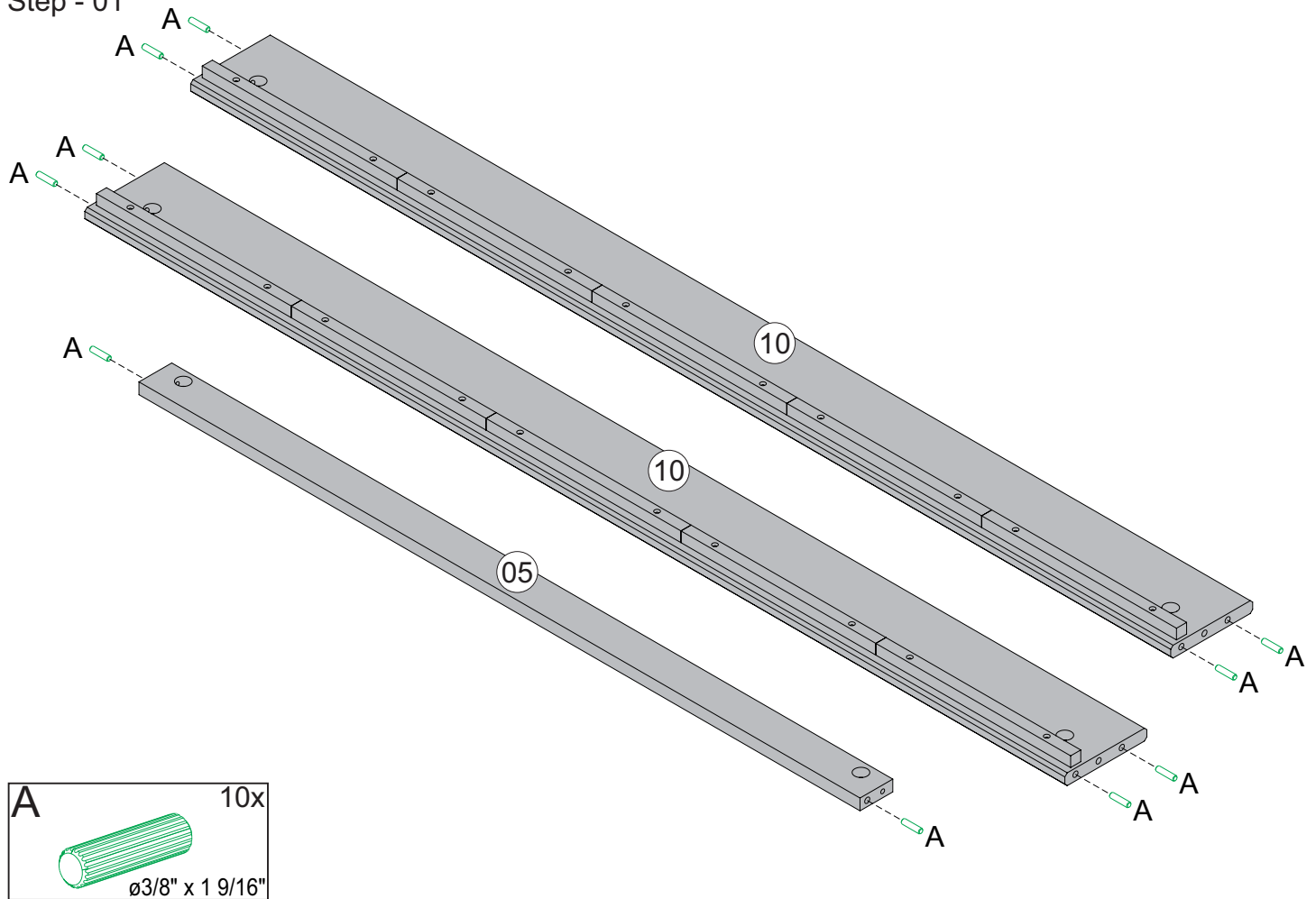
- * Read and observe carefully all the assembly instructions before beginning assembly.
- * The assembly of the product must be done on a clean and flat surface. We suggest to use the packaging to cover the floor to avoid damages.
- * The screws must be tightened periodically.
- * Avoid contact with sharp objects.
- * Avoid banging pieces together.

Hardware list for assembly.
Please confirm all hardware available before assembly

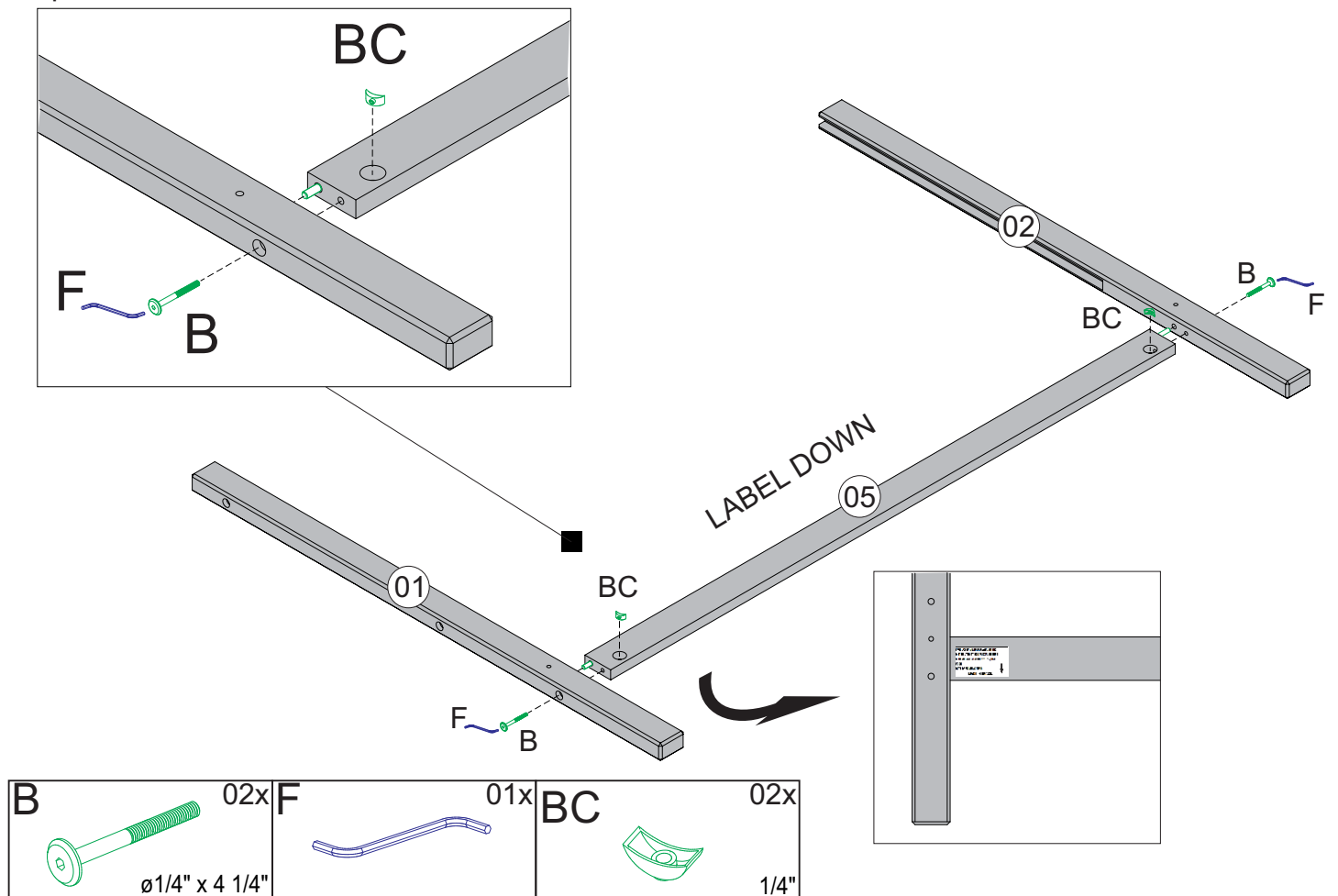
| | | | | |
|----|---|-----|---|--------------|
| A |  $\emptyset 3/8" \times 1' 9/16"$ | 14x | + | SPARE 02x |
| B |  $\emptyset 1/4" \times 4' 1/4"$ | 14x | + | 02x |
| F |  | 01x | + | 01x |
| AP |  $\emptyset 1/8" \times 1' 3/8"$ | 18x | + | 02x |
| BC |  $1/4"$ | 14x | + | 02x |
| BJ |  $\emptyset 3/4"$ | 12x | + | 02x |
| BL |  $\emptyset 1/4" \times 2"$ | 08x | + | 01x |
| BV |  $\emptyset 1/4"$ | 04x | | |



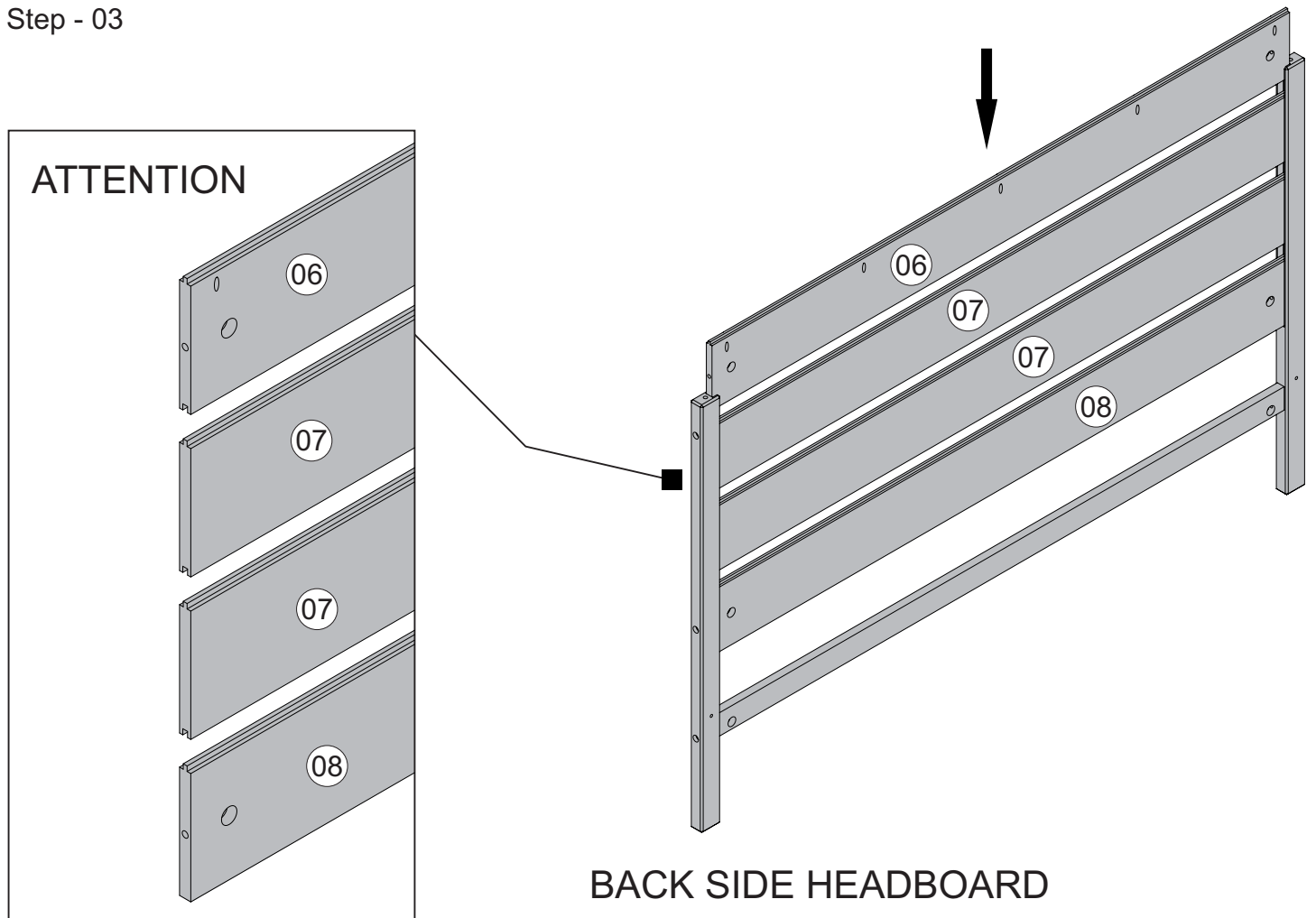
Step - 01



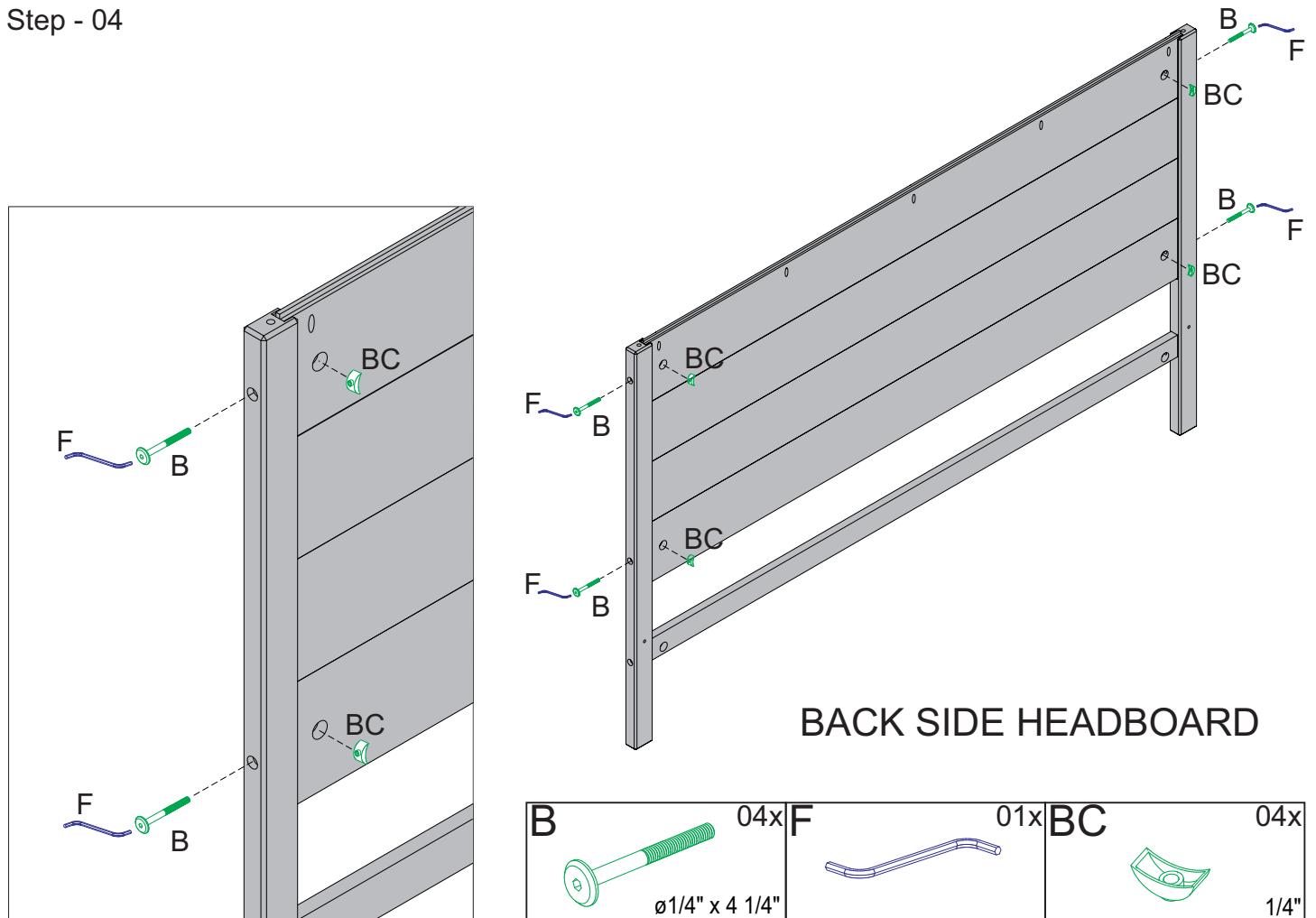
Step - 02



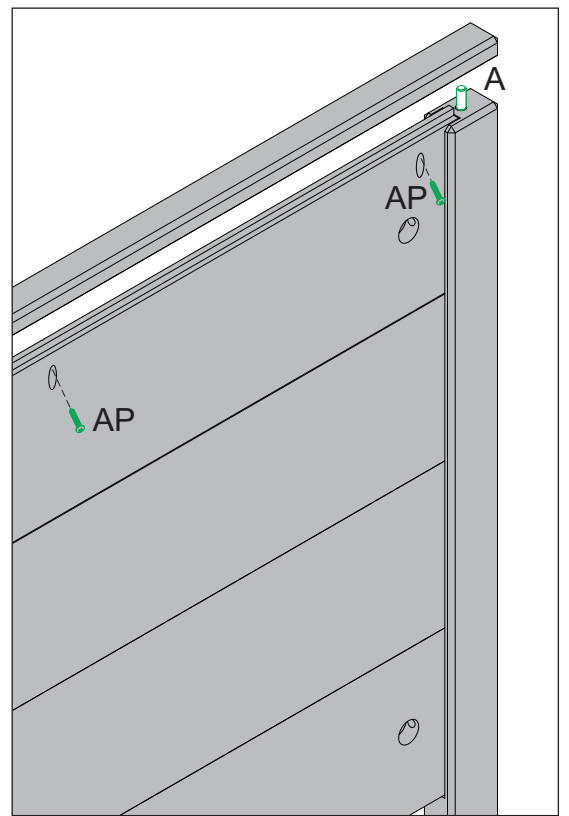
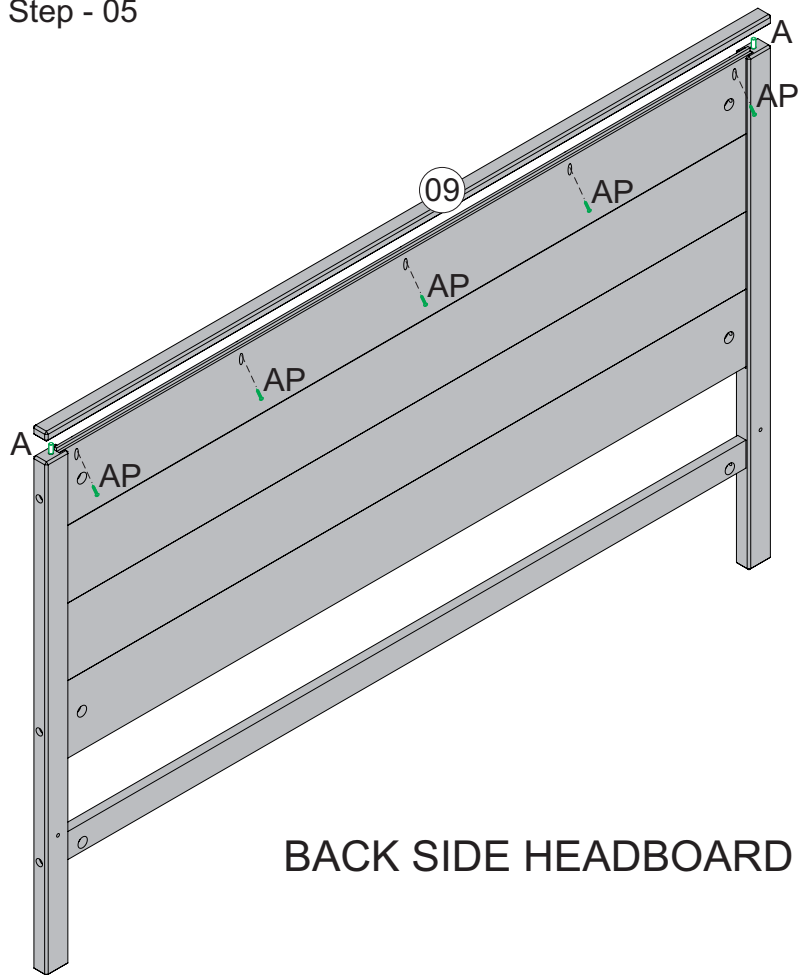
Step - 03



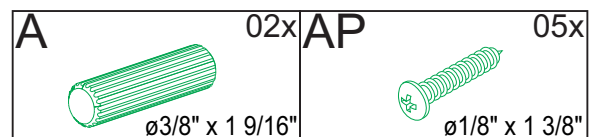
Step - 04



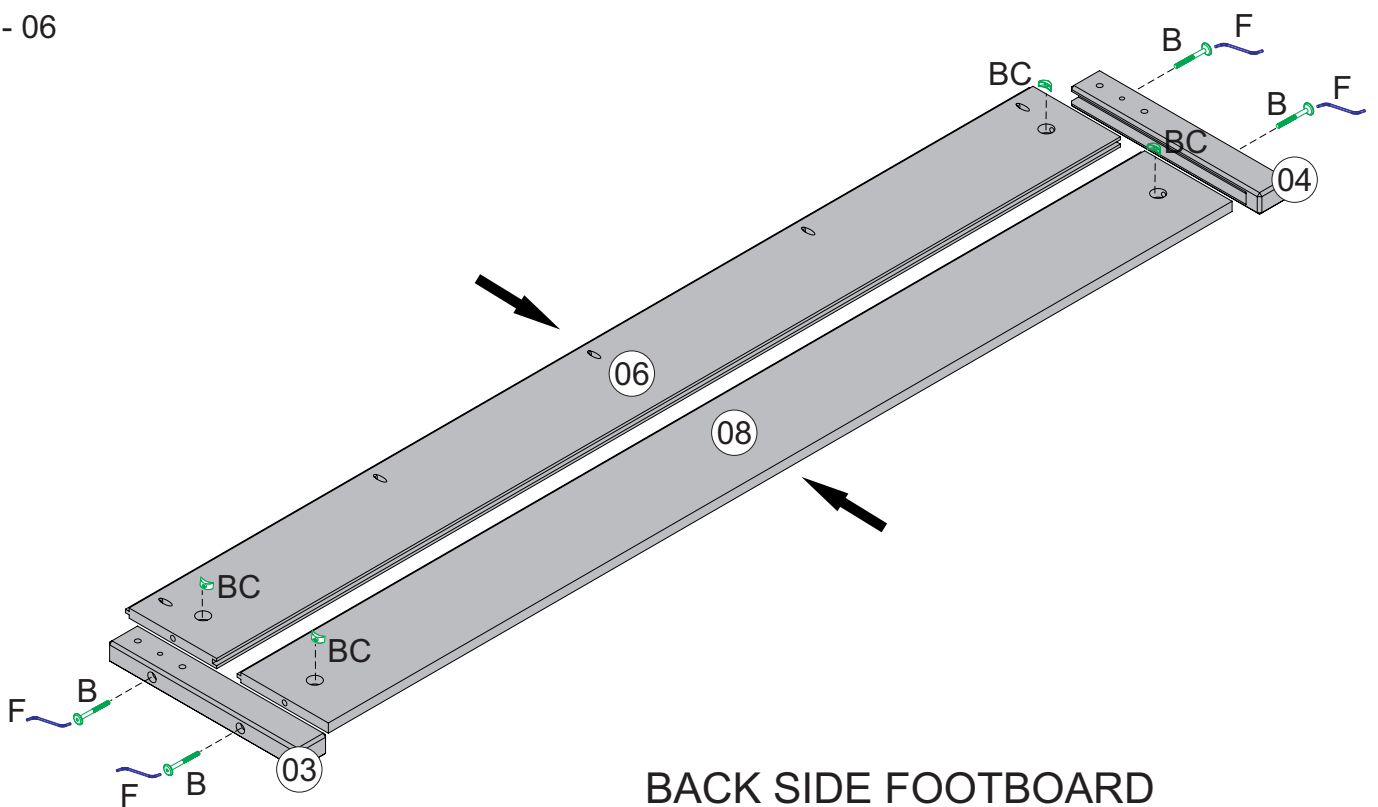
Step - 05



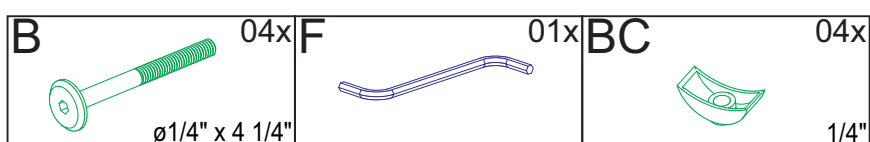
BACK SIDE HEADBOARD



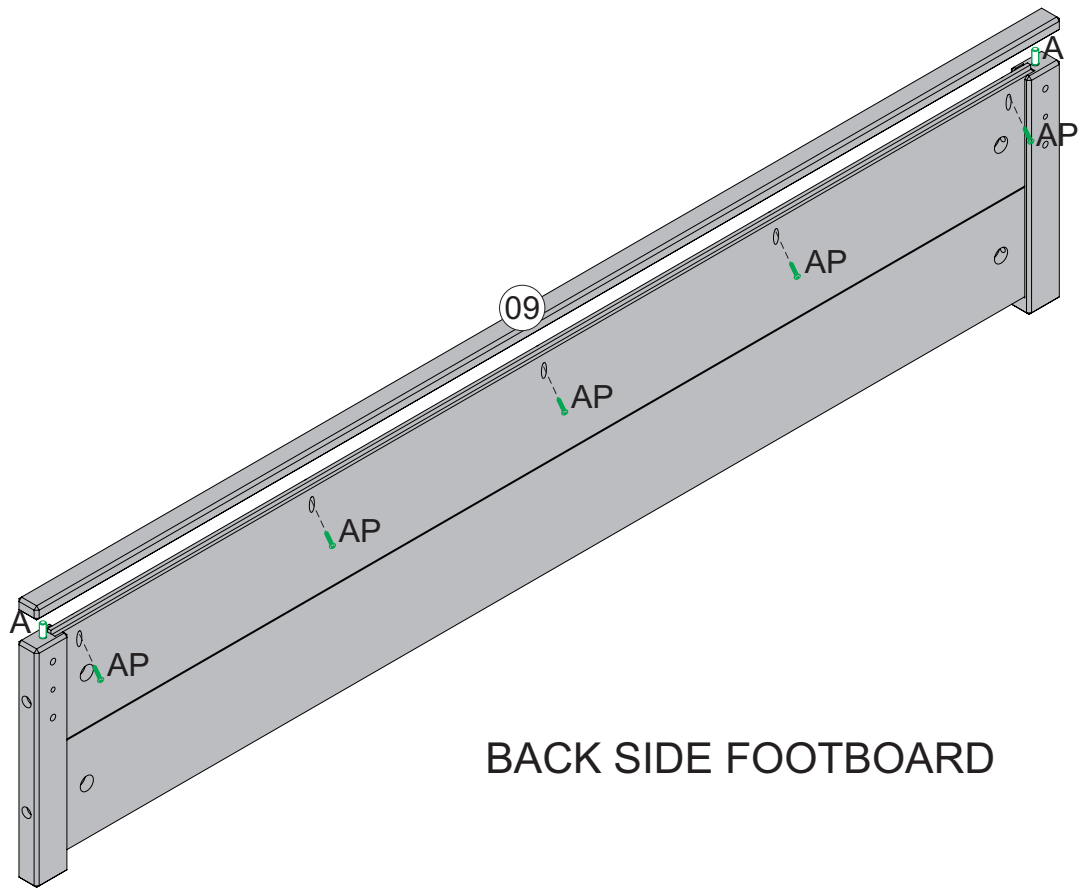
Step - 06



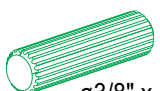

BACK SIDE FOOTBOARD

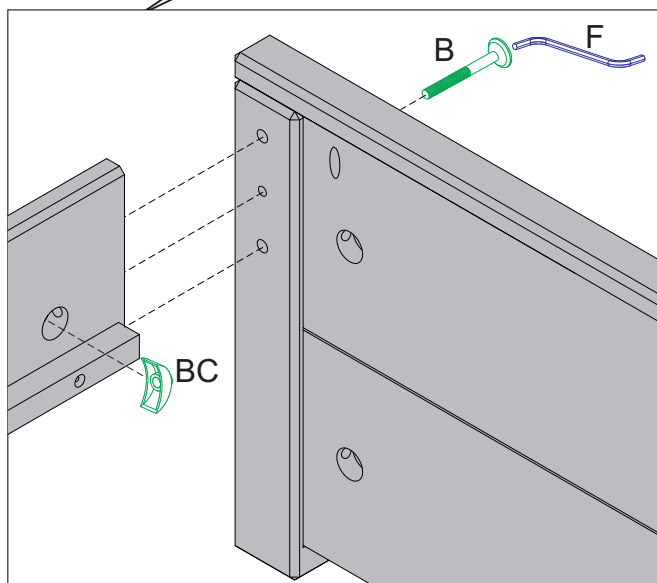
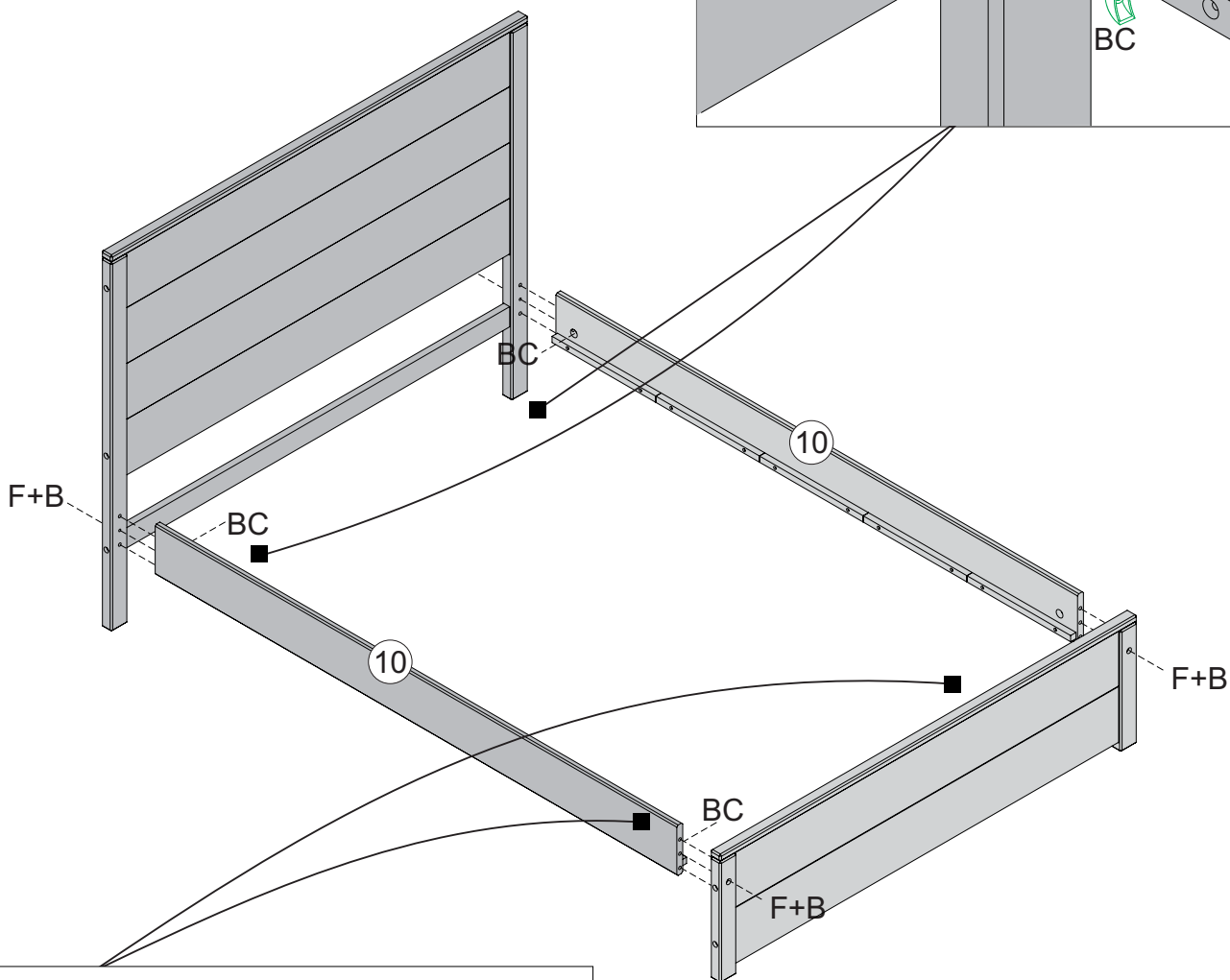
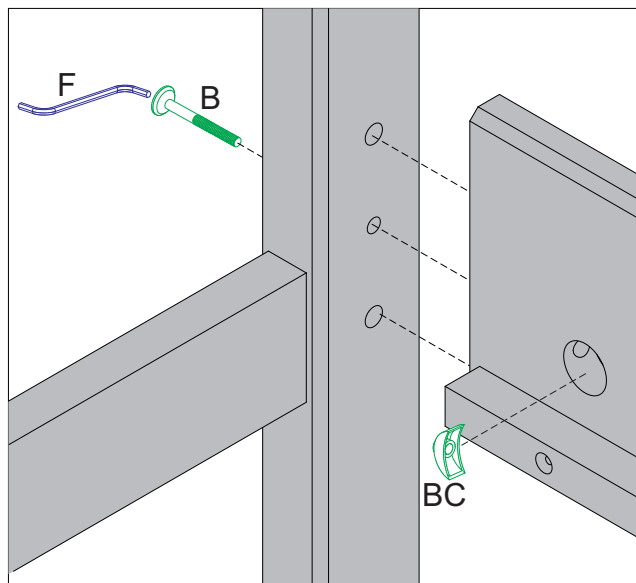


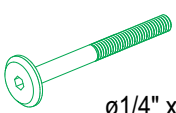


Step - 07



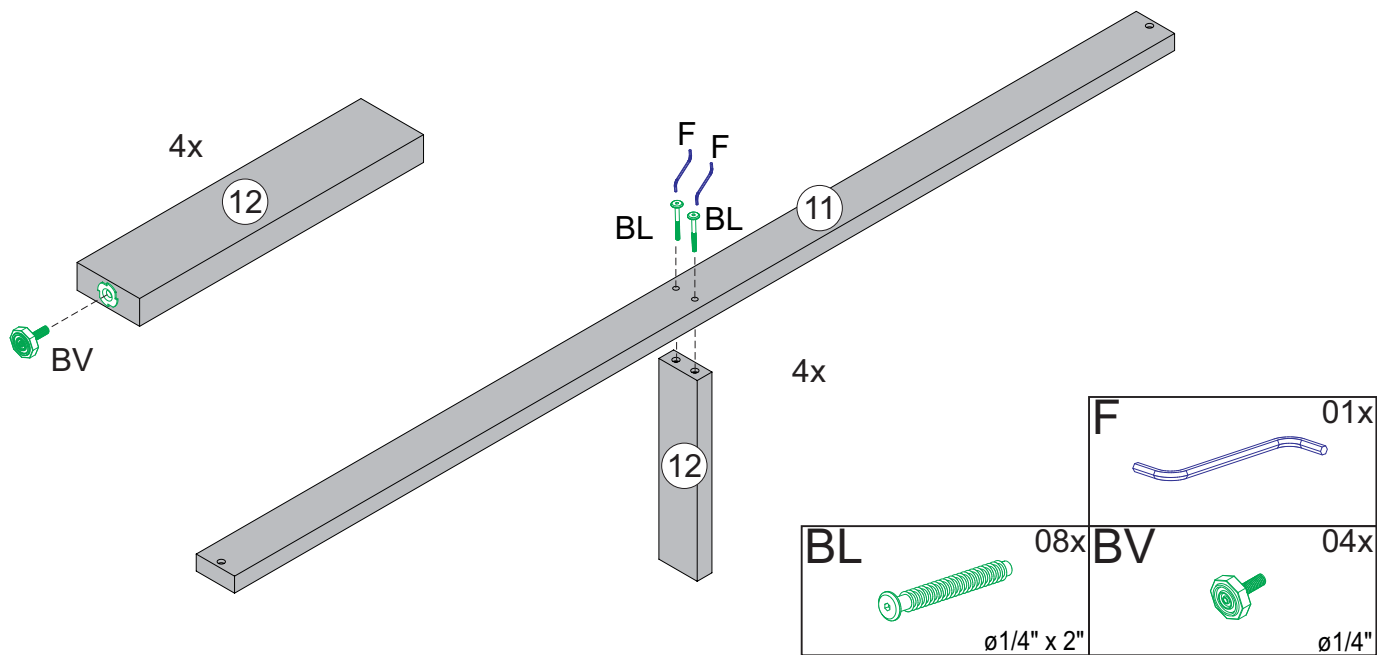
BACK SIDE FOOTBOARD

| | |
|---|---|
| A  02x ø3/8" x 1 9/16" | AP  04x ø1/8" x 1 3/8" |
|---|---|

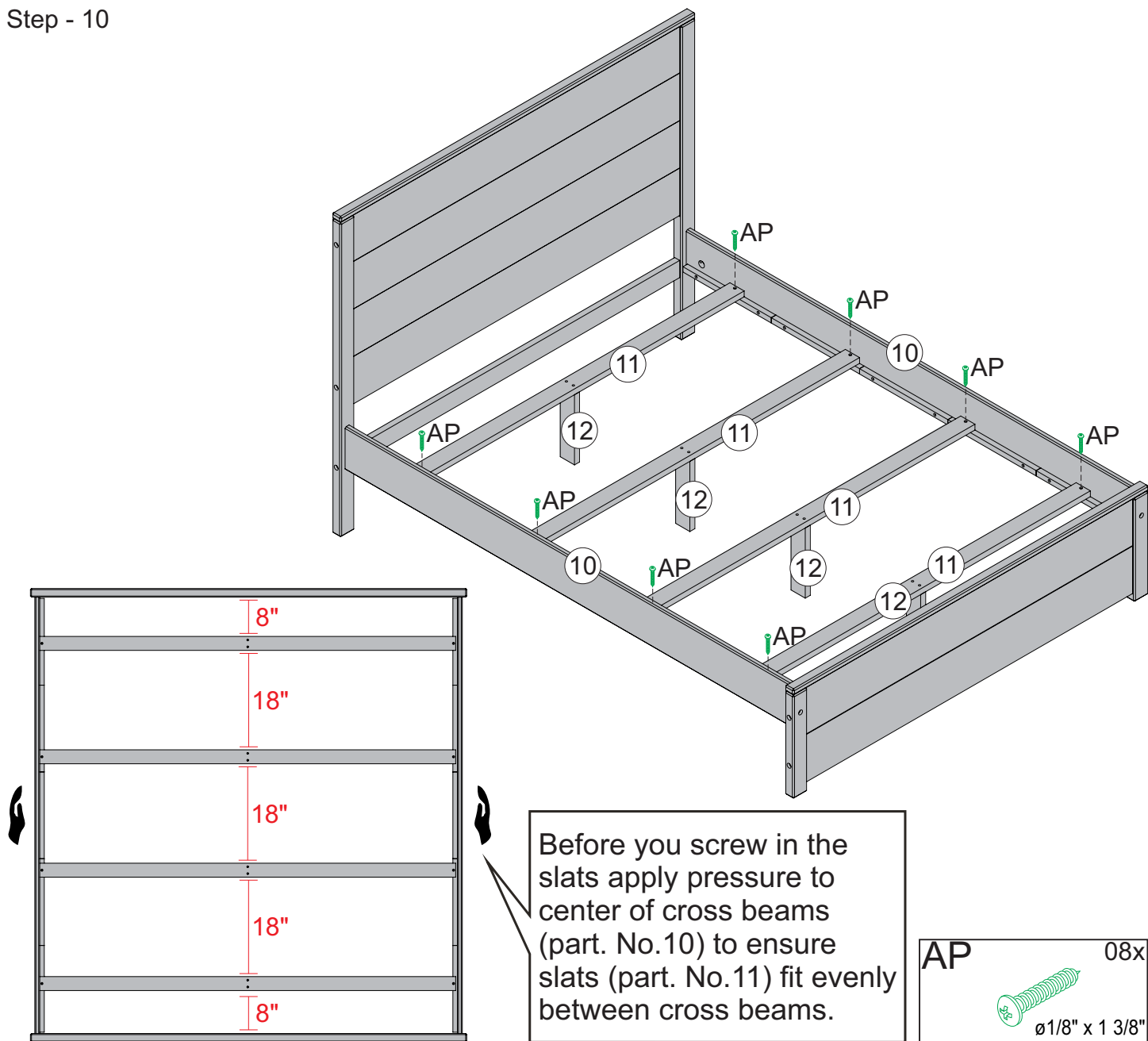


| | |
|---|----------------------------------|
| B | 04x |
|  | $\varnothing 1/4" \times 4 1/4"$ |
| F | 01x |
|  | |
| BC | 04x |
|  | 1/4" |

Step - 09



Step - 10



Step - 11

