



42 GREENE STREET LL NEW YORK NY 10013
 T 212.355.0625 F 212.355.0628 WWW.OASIQ.US



SANDUR Club Chair Full Woven

W 32" D 30" H 28 9/16"

AH 21 11/16" SH 12 1/4"

CH 2" OSH 14 1/4"

22.7 lbs

Powder coated stainless steel & rope or
 stainless steel & rope

SANDUR ROPE AND FRAME COMBINATION



White Rope / White Frame



White Rope / Anthracite Frame



Clay Rope / White Frame



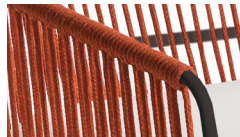
Clay Rope / Stainless Steel Frame



Green Rope / Anthracite Frame



Terra Cotta Rope / White Frame



Terra Cotta Rope / Anthracite Frame



Taupe Rope / Stainless Steel Frame

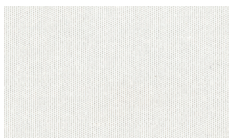


Taupe Rope / Anthracite Frame

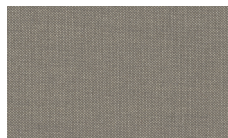


Anthracite Rope / Anthracite Frame

SANDUR: CUSHION FABRICS



Canvas Natural



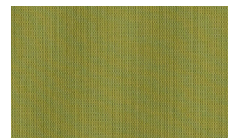
Lantern Slate



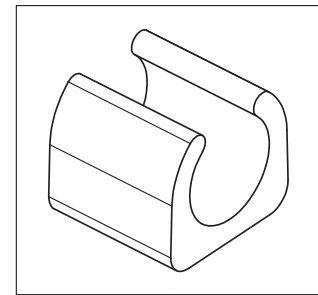
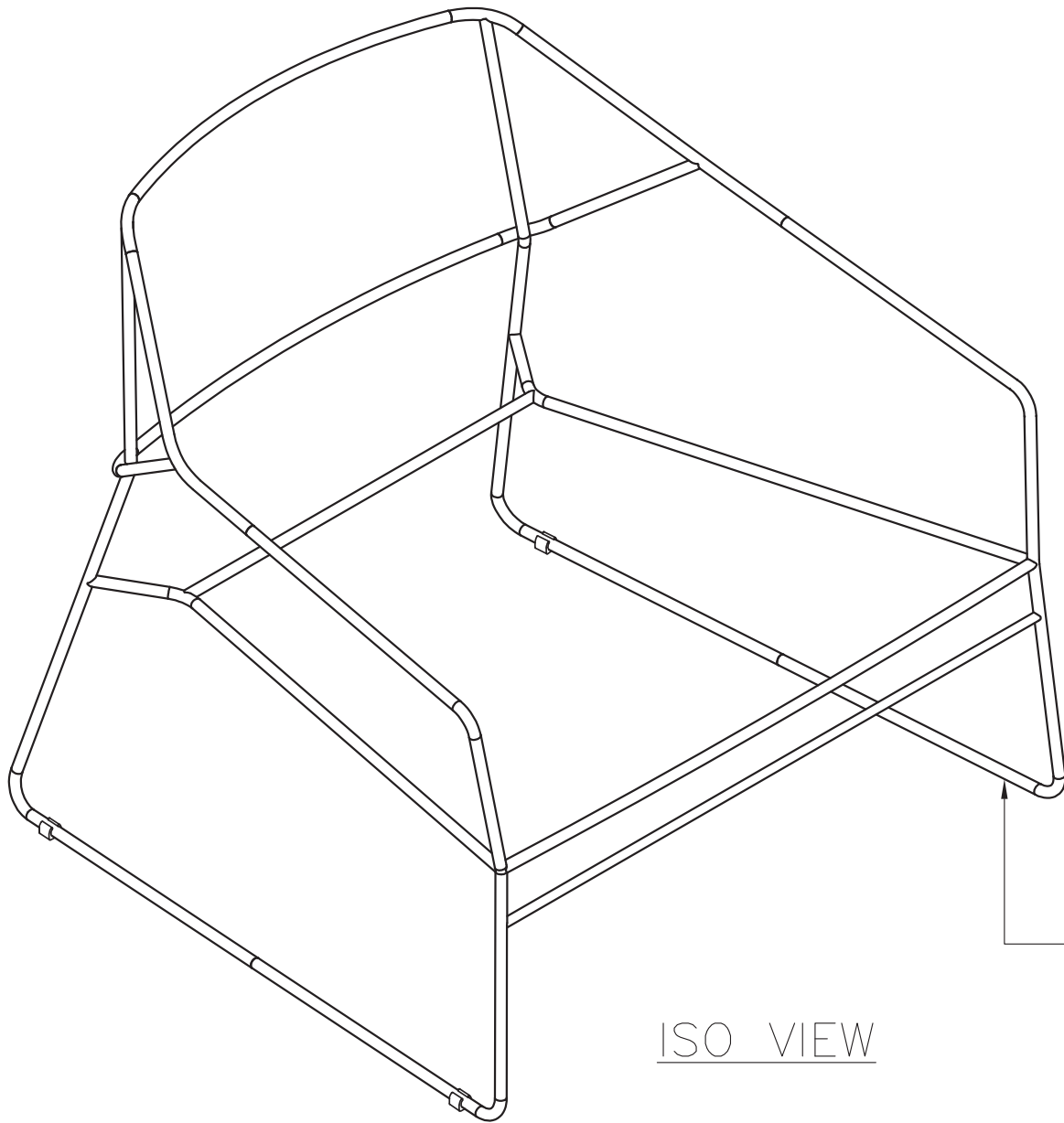
Cayenne



Canvas Brick



Canvas Lichen



ISO VIEW

ISO

OASIQ

DWG.NO: FAE0A4-3K/KB

TITLE : ISO VIEW

DIM EXT: 812.5x761.3x725.2 MM.

MATERIAL: SS304

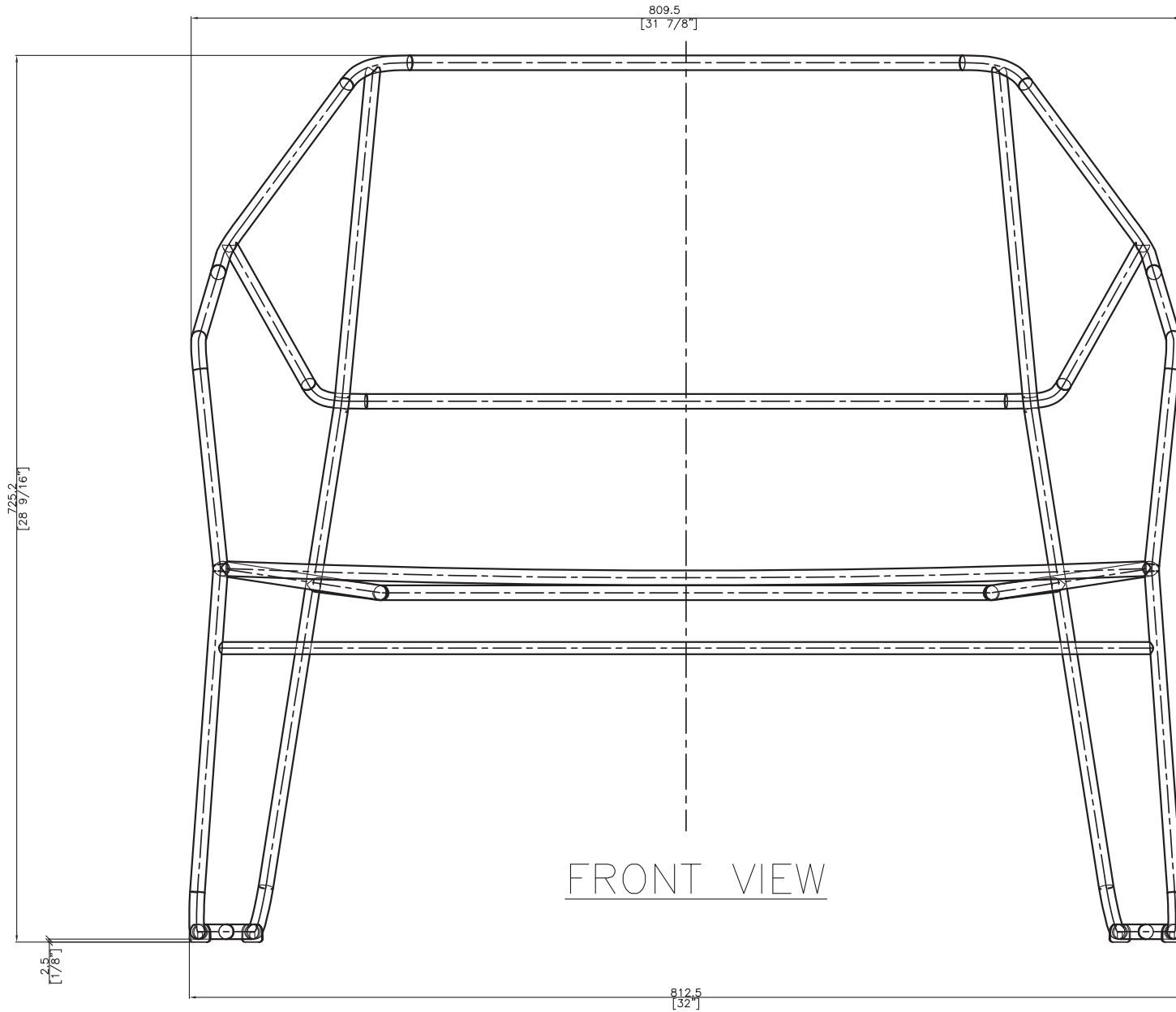
DRAWN BY : Mr.Khanti

FINISH DATE : 17-09-14
BEGIN DATE : 4-03-13

TSAI
KHAN

SCALE : 1:1
⊕

P. 2



FRONT VIEW

EF

OASIQ

DWG.NO: FAE0A4-3K/KB

TITLE : FRONT VIEW

DIM EXT: 812.5x761.3x725.2 MM.

MATERIAL: SS304

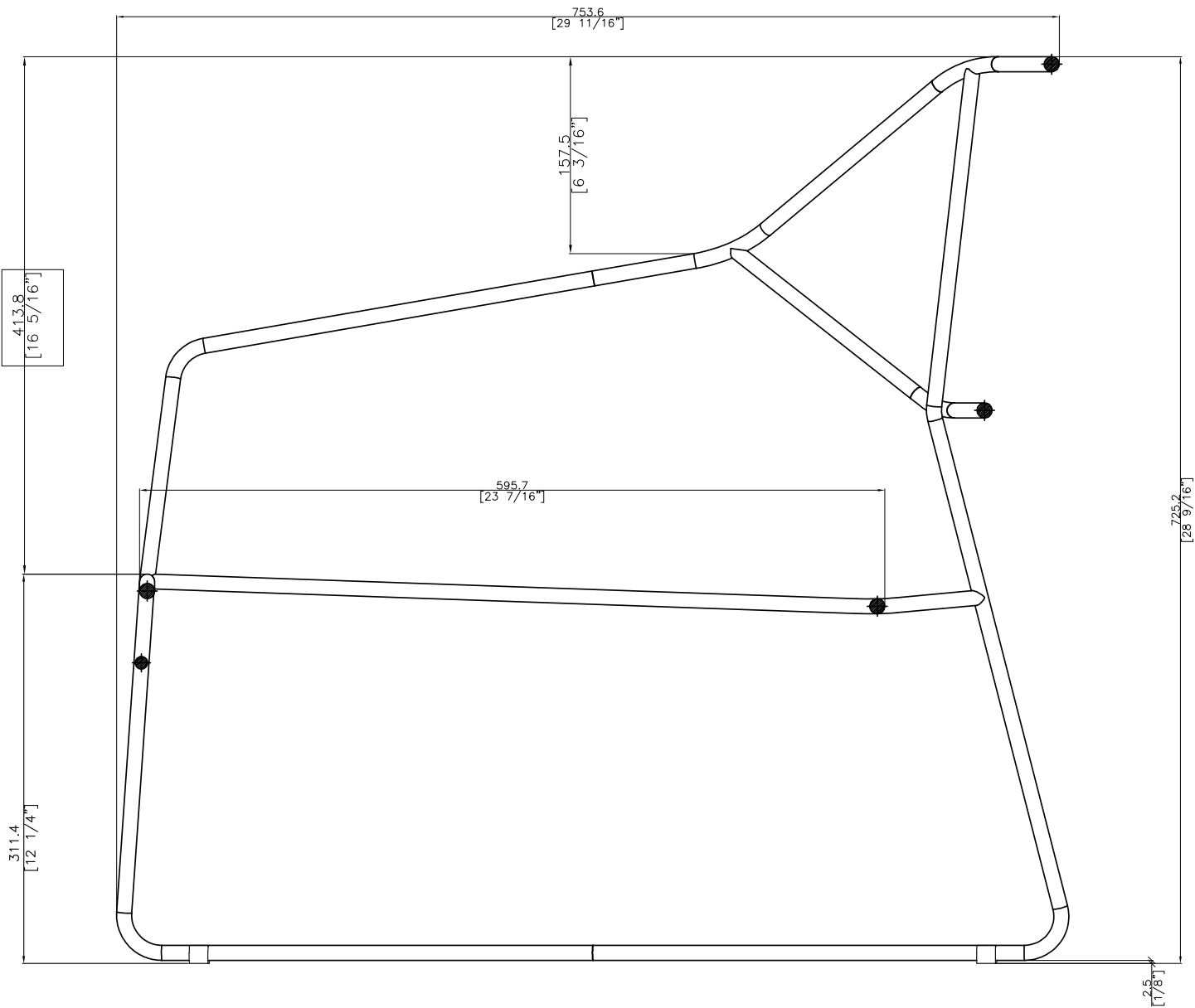
DRAWN BY : Mr.Khanti

FINISH DATE : 25-07-13
 BEGIN DATE : 4-03-13

KHAN
 KHAN

SCALE : 1:1

P. 4



SIDE VIEW

ES

OASIQ

DWG.NO: FAEOA4-3K/KB

TITLE : SIDE VIEW

DIM EXT: 812.5x761.3x725.2 MM.

MATERIAL: SS304

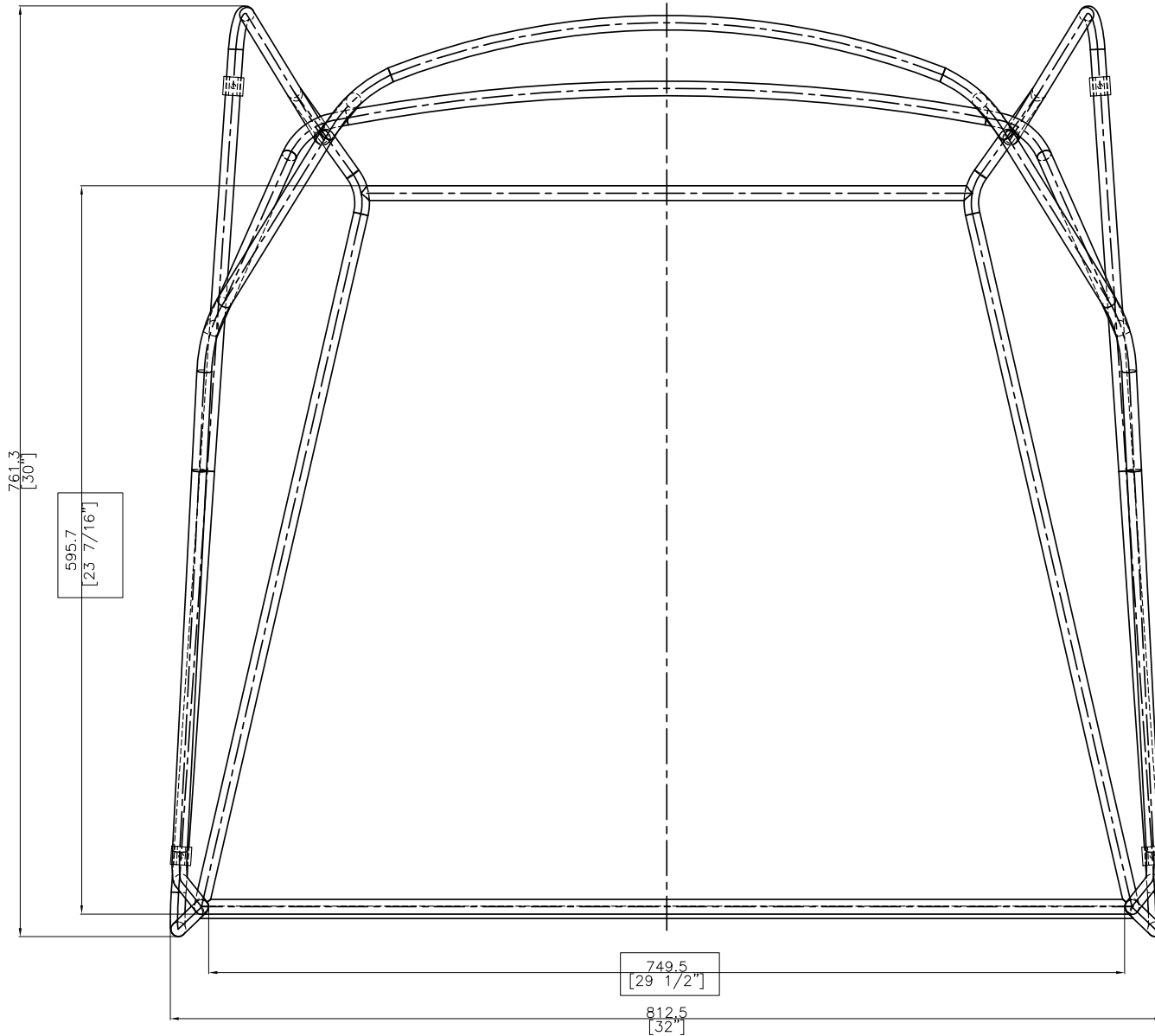
DRAWN BY : Mr.Khanti

FINISH DATE : 11-10-13
 BEGIN DATE : 4-03-13

KHAN
 KHAN

SCALE : 1:1

P. 5



TOP VIEW

ET

OASIQ

DWG.NO: FAE0A4-3K/KB

TITLE : TOP VIEW

DIM EXT: 812.5x761.3x725.2 MM.

MATERIAL: SS304

DRAWN BY : Mr.Khanti

FINISH DATE : 11-10-13
BEGIN DATE : 4-03-13

KHAN
KHAN

SCALE : 1:1
⊕

P. 3