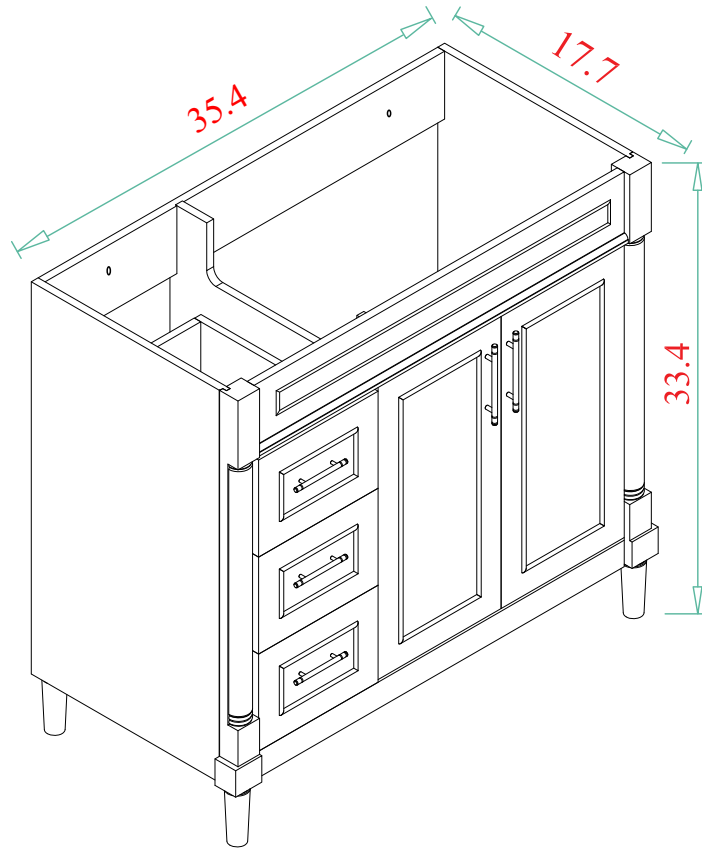


INSTALLATION INSTRUCTIONS

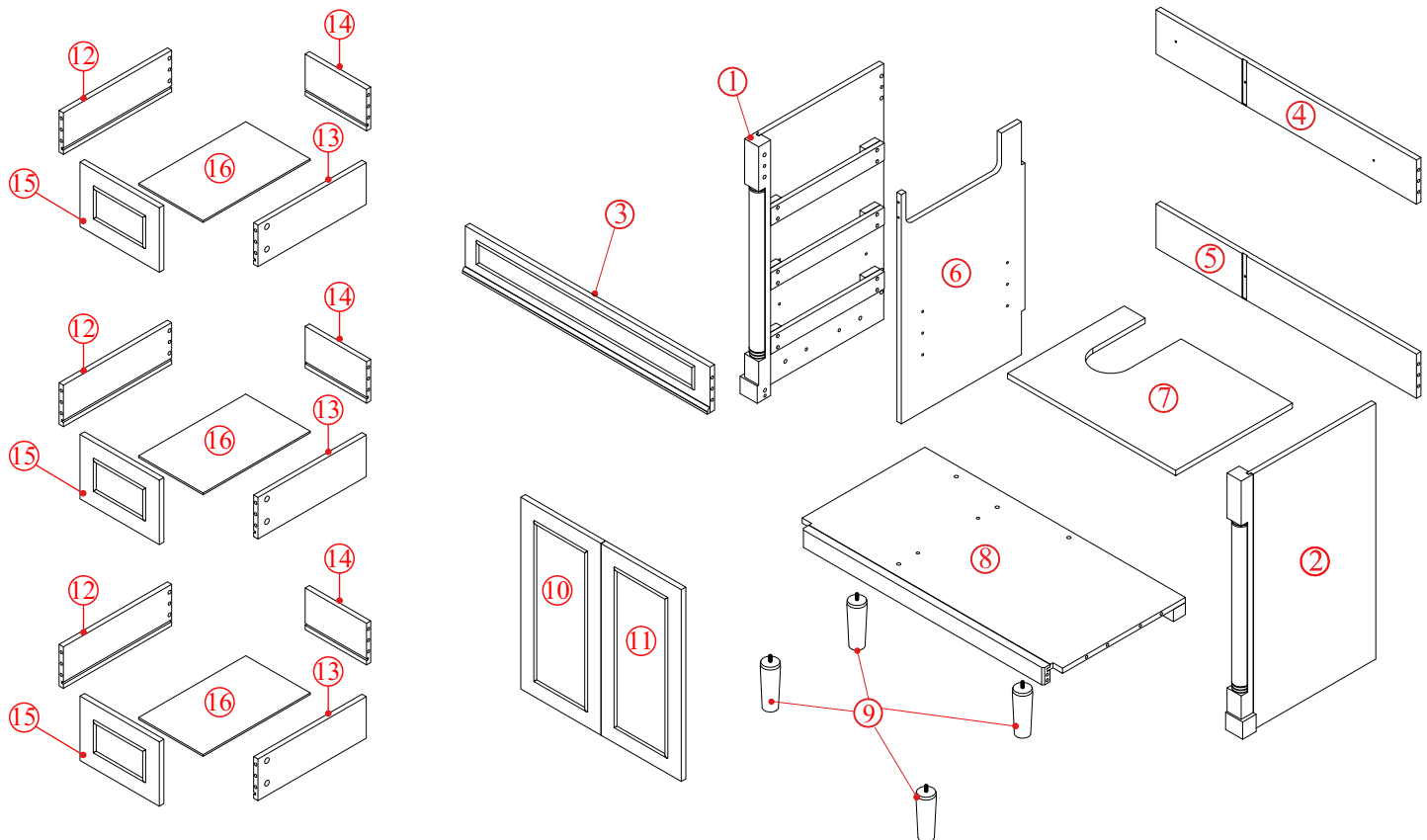
***The vessel and faucet set is not included**

DIMENSIONS

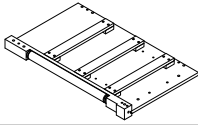
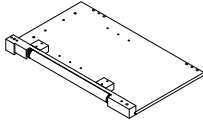
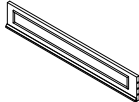
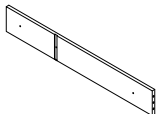
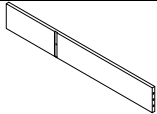
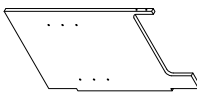
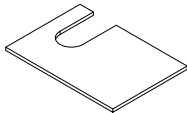
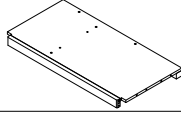



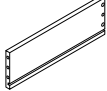
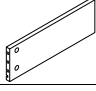
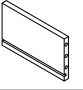
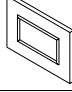

Unit: inch

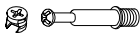



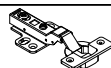
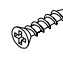

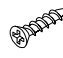
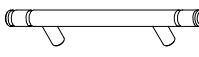
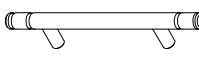
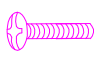






ASSEMBLY DIAGRAM



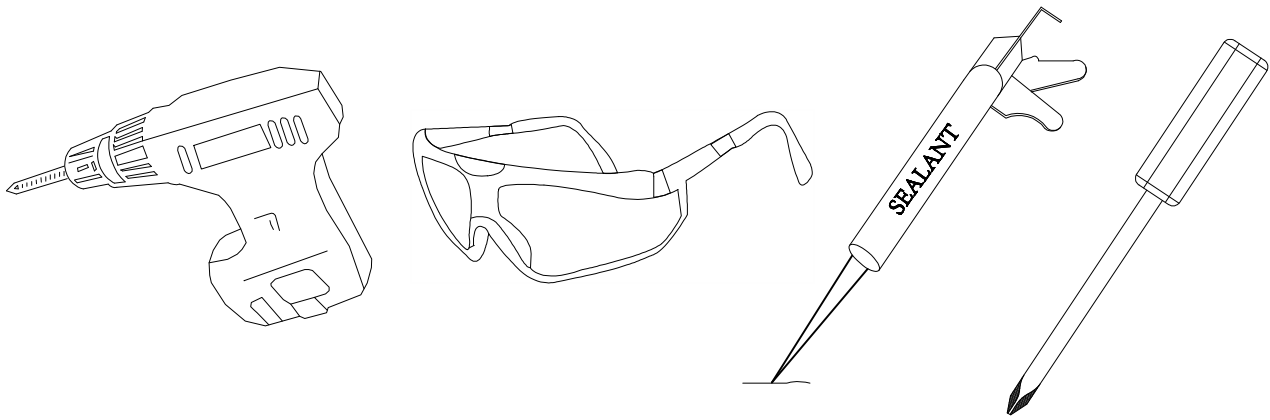
PARTS LIST

PARTS LIST		
No.	Description	QTY
1		1
2		1
3		1
4		1
5		1
6		1
7		1
8		1
9		4
10		1
11		1
12		3
13		3
14		3
15		3
16		3

HARDWARE LIST			
No.	Description		QTY
A		Three-in-one Connector	45
B		Wood Plug	29
C		SHELF SUPPORT	4
		Screws M3.5x12	4
D		Large curved hinge	2
		Handle Screws M3.5x12	12
E		Half curved hinge	2
		Handle Screws M3.5x12	12
F		Handle 120x12mm	3
G		Handle 164x12mm	2
H		Handle Screws M4x19	10
I		Slider	6
		Screws M3.5x12	36
K		Screws M4x25	2
L		Screws For Fix On The Wall	2



CAUTION: Please confirm the parts list before installtion

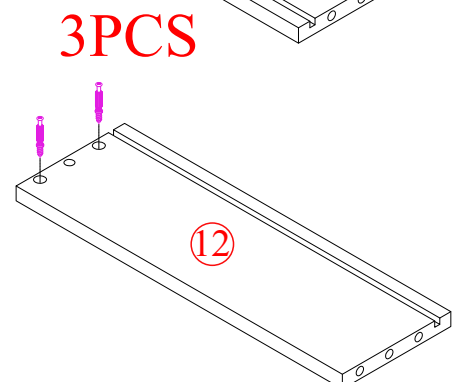
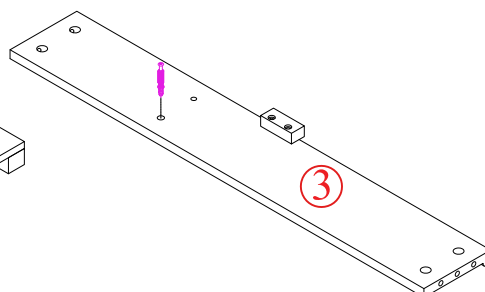
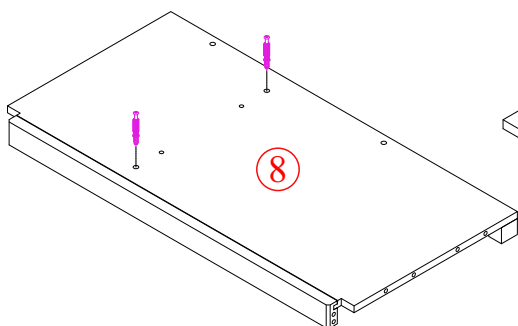
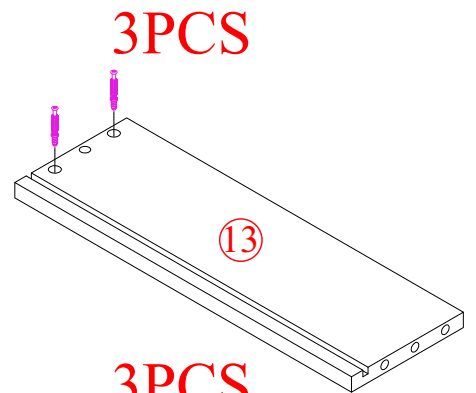
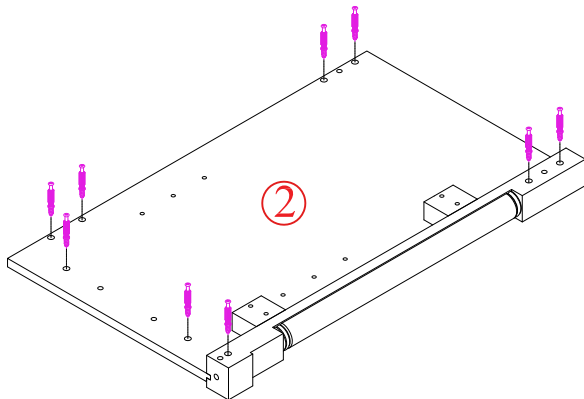
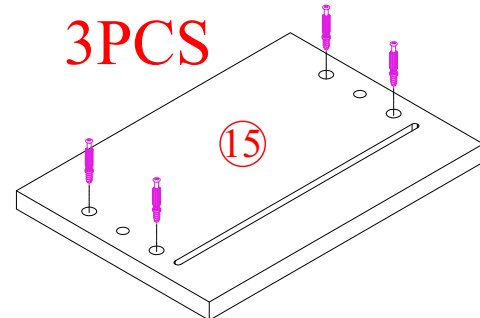
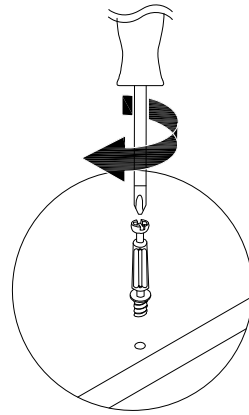
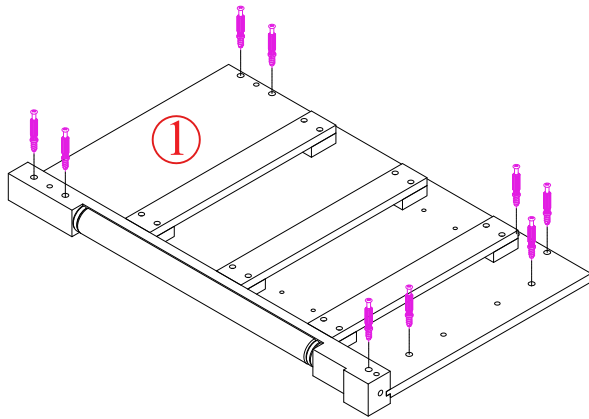
YOU MAY NEED (NOT SUPPLIED)



INSTALLATIONS


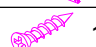
STEP 1

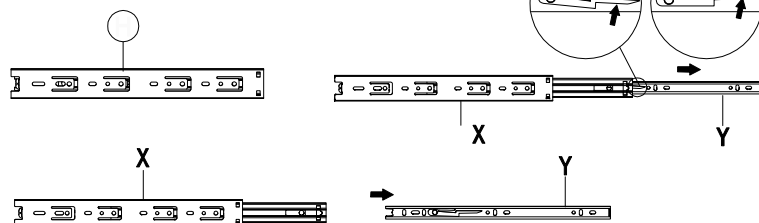
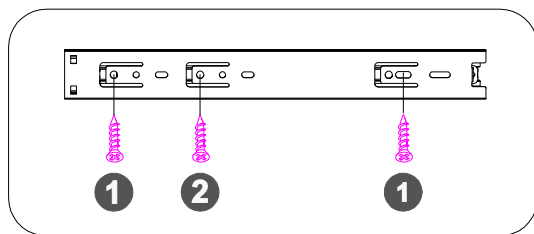
HARDWARE LIST	
A	 45 PCS
	



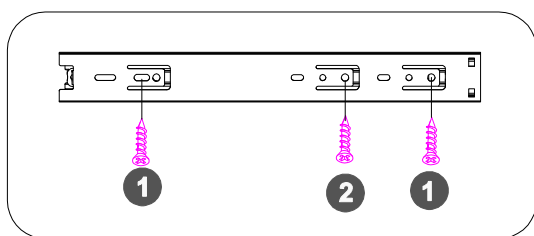
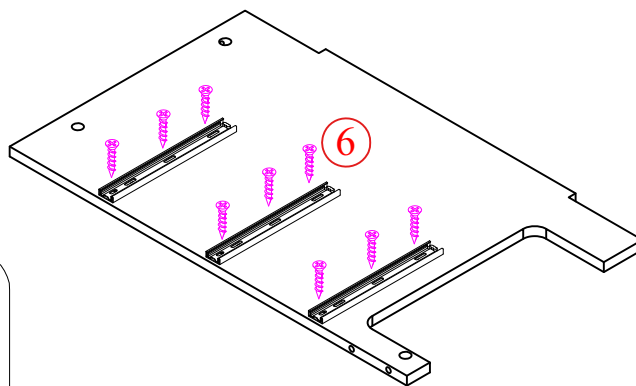
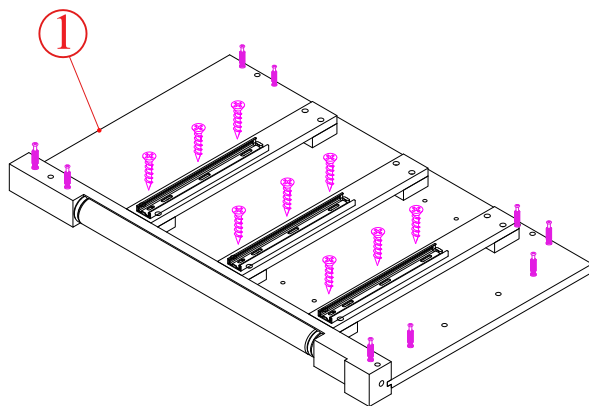
• Insert the Cam Screw into the shelves above

STEP 2

HARDWARE LIST	
 X	6PCS
 Y	18PCS




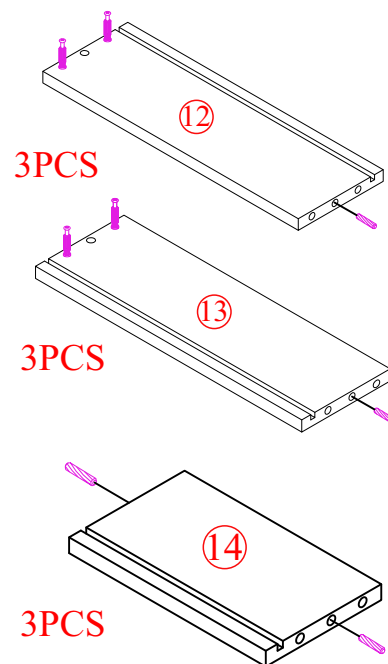
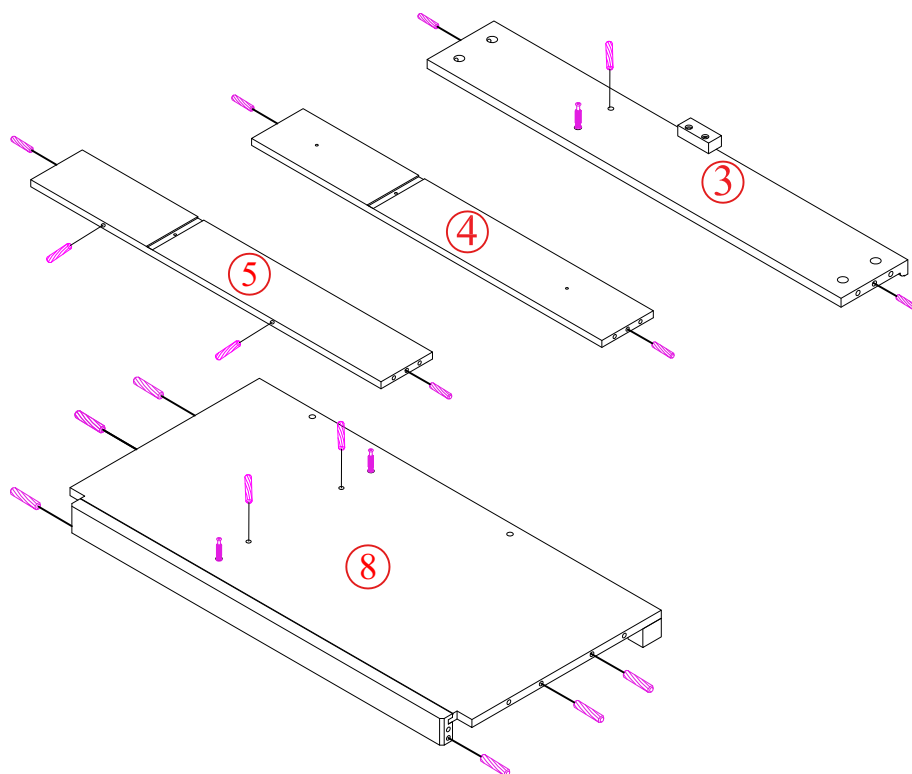
Keep pressing here, then pull out to devide the slide.



- Refer to the illustration to fix the Slide rails to theboard #2, #6 with screws.

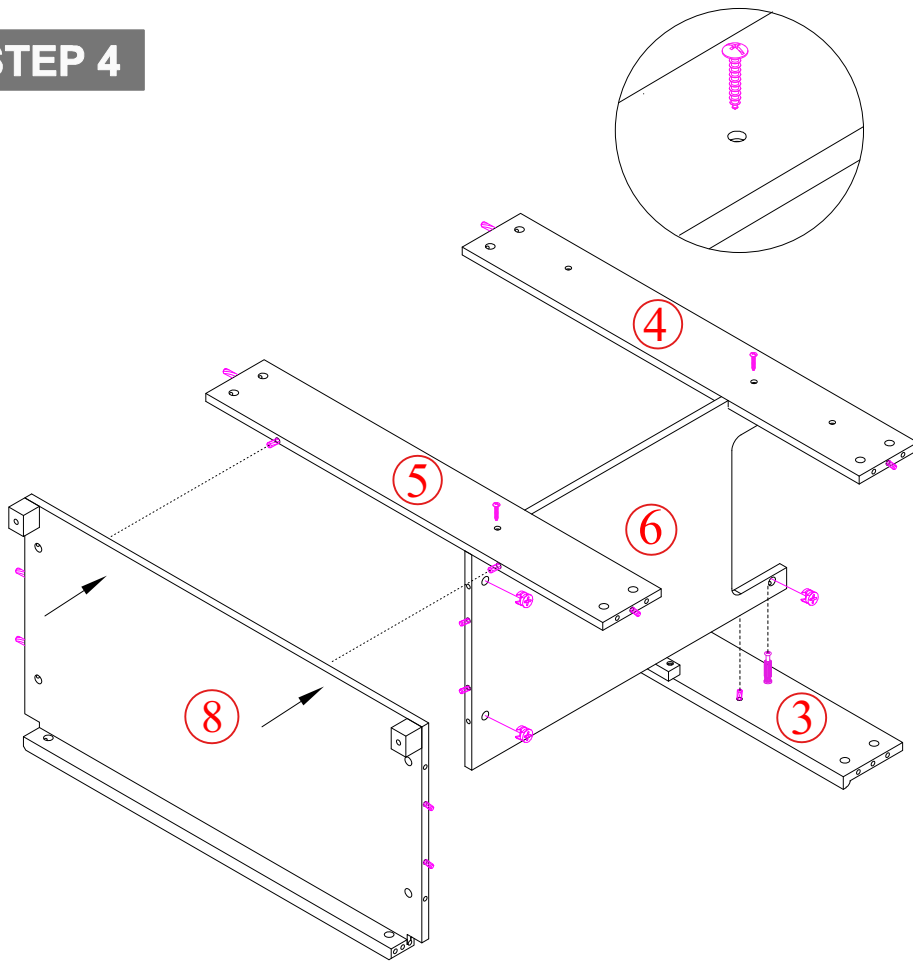
STEP 3




HARDWARE LIST	
 B	29 PCS

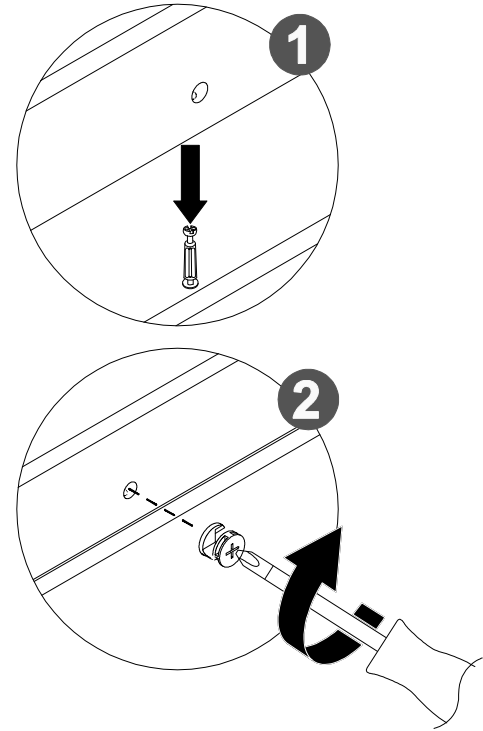


- Insert the wooden dowel pins into the shelves

STEP 4

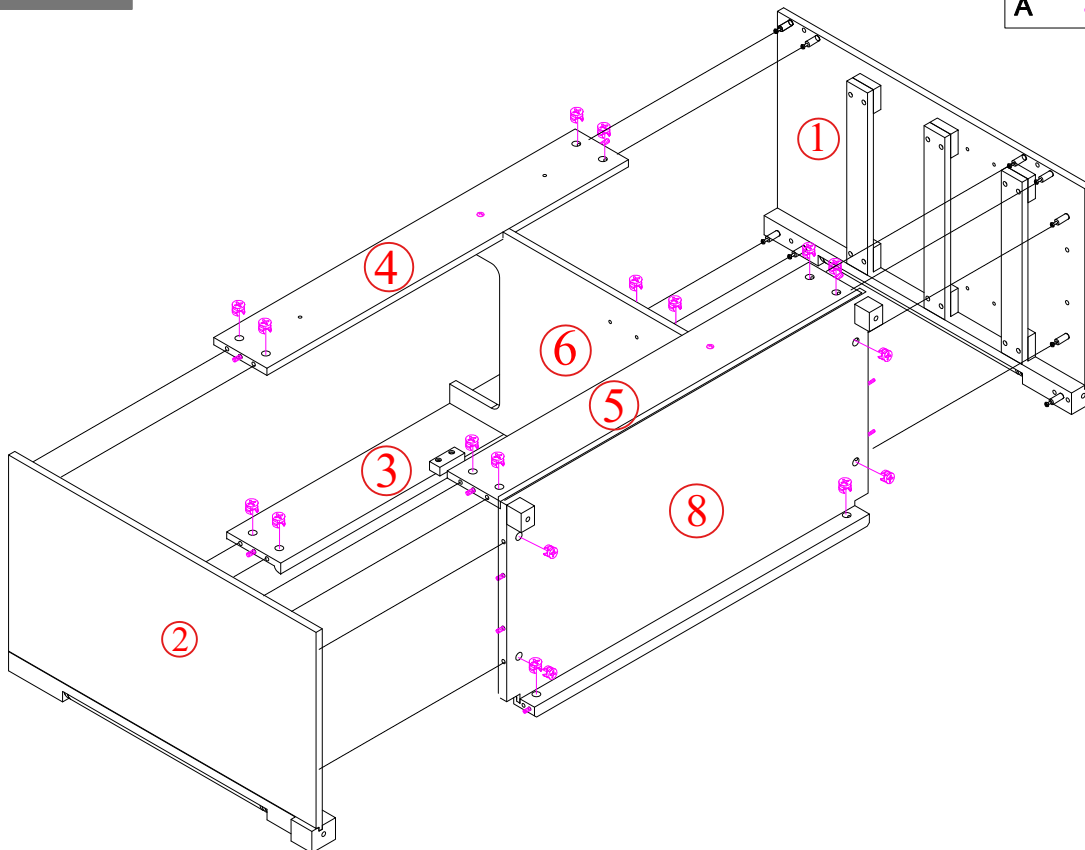




HARDWARE LIST			
A		3PCS	
K		2PCS	

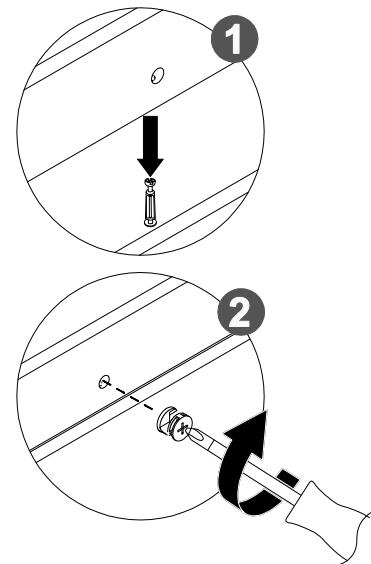


- Refer to the illustration, already assembled #3,#4,#5,#6,#8
Then tighten the cam lock.
- Use Screws to install the board #4,#5.

STEP 5

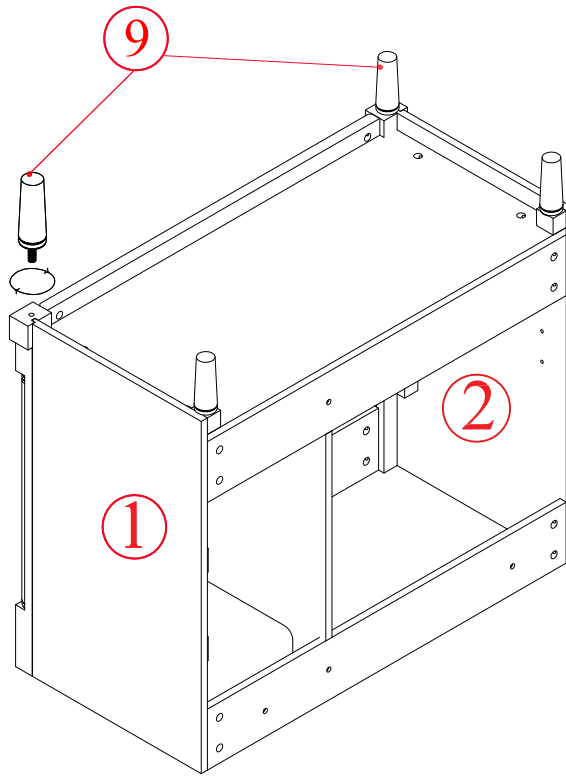


HARDWARE LIST			
A		18PCS	



- Refer to the illustration, already assembled #3,#4,#5,#6,#8 on the shelf #1 and #2.
Then tighten the cam lock.


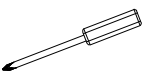



STEP 6

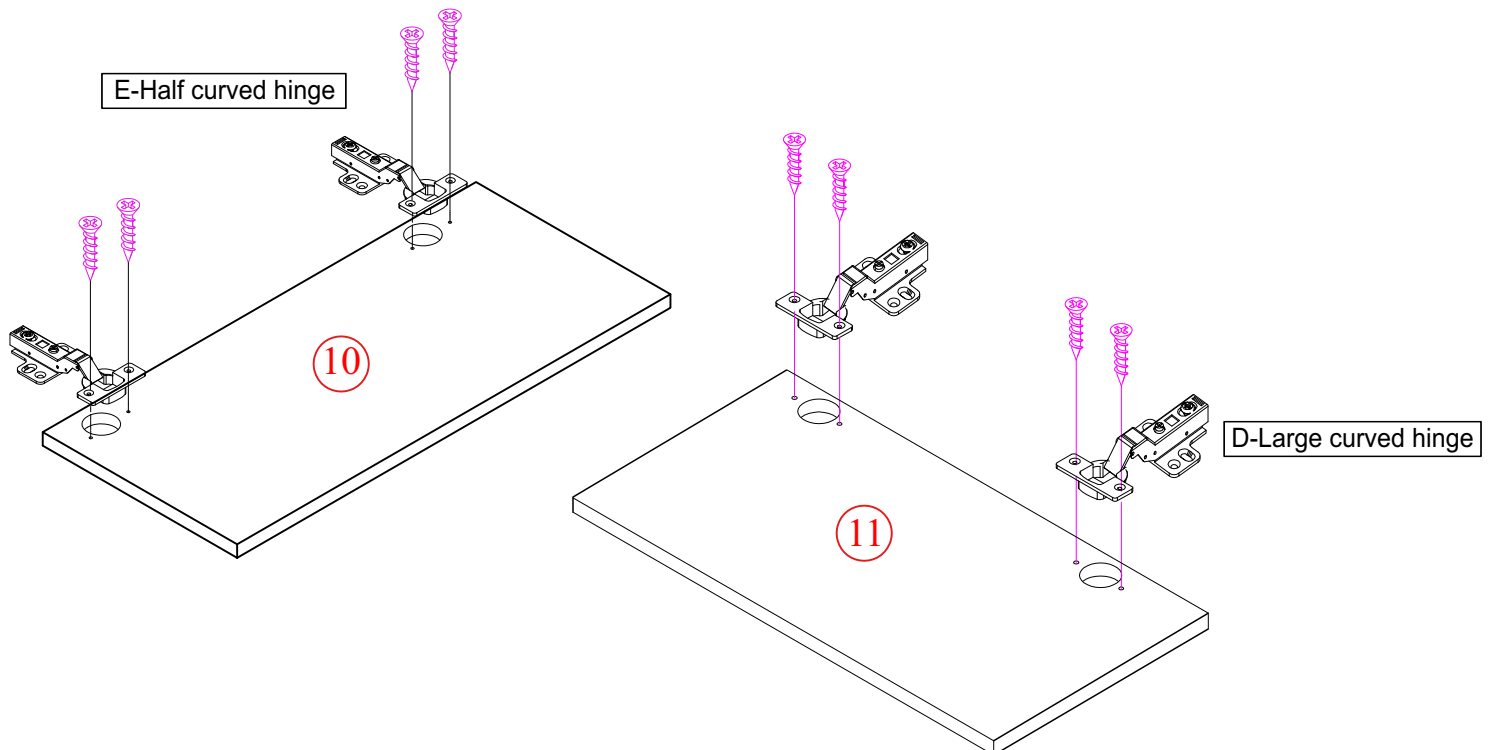


- Insert the legs #9 into the hip frame positions as show #1,#2.

STEP 7

HARDWARE LIST




D		2 PCS	
		4 PCS	
E		2 PCS	
		4 PCS	

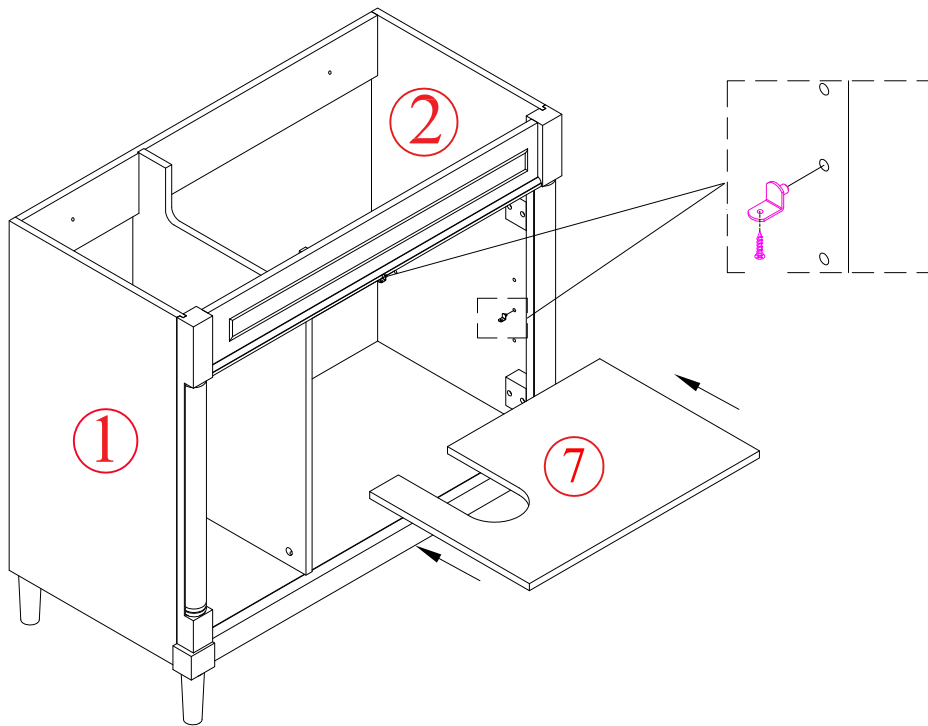


- Use Screws to install the handle and apply Screws to fix the hinge on the shelf #10,#11.

STEP 8

HARDWARE LIST

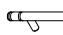
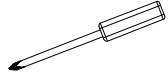



C		4 PCS	
		4 PCS	

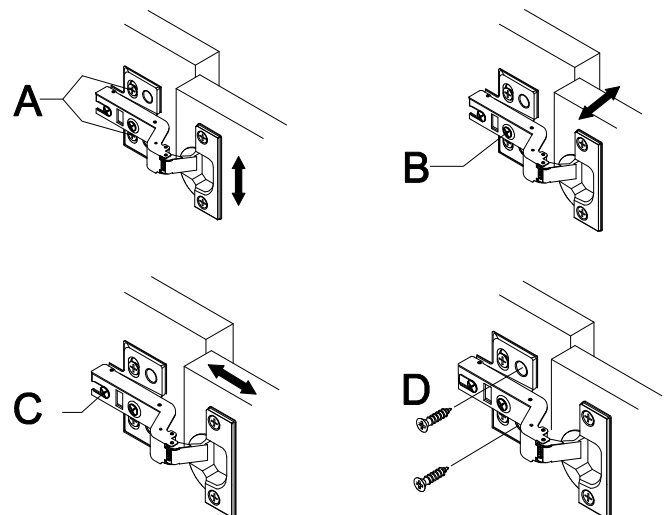
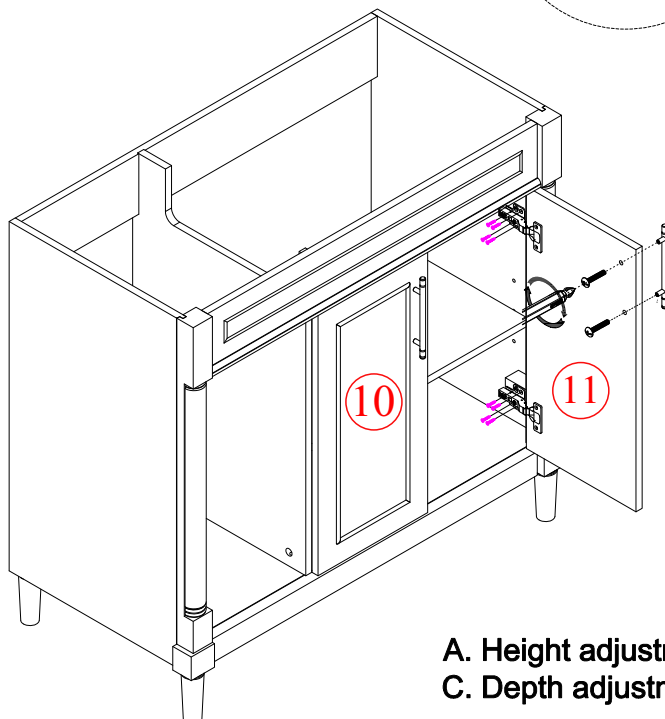
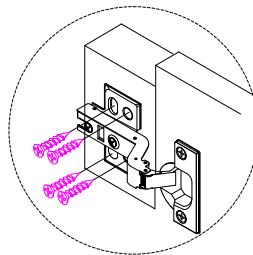


- Insert the floor shelf support sequentially into the side frame #1 and #2 .
Then put the #7 floor inside the cabinet

STEP 9

HARDWARE LIST

G		2 pcs	
H		4 pcs	
D		8 pcs	
E		8 pcs	





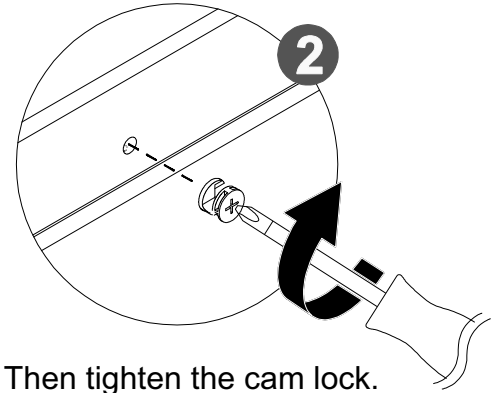
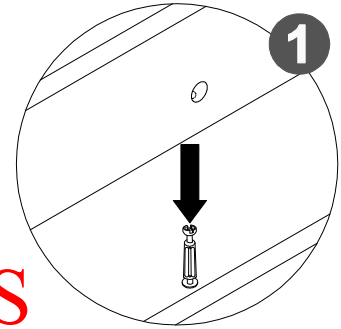
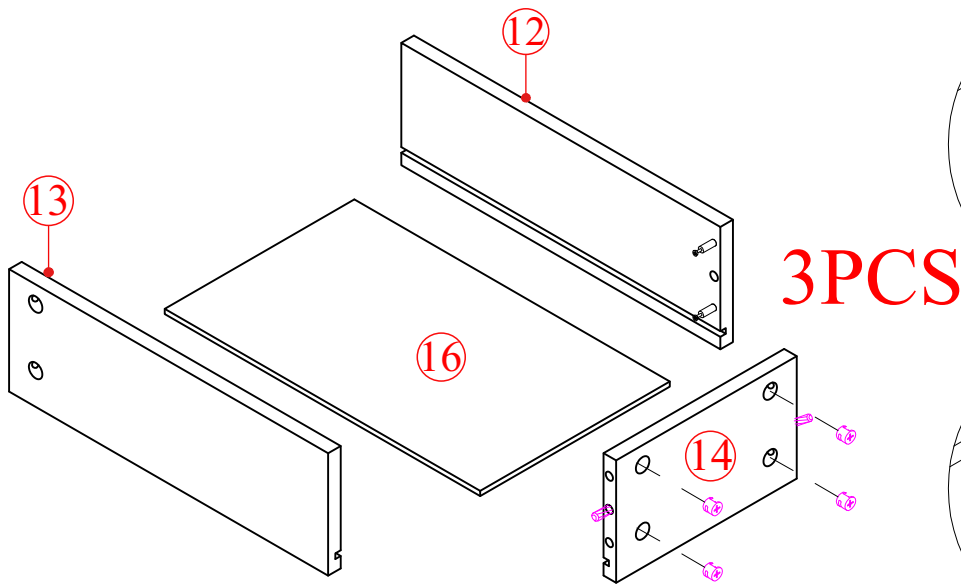
A. Height adjustment
C. Depth adjustment

B. Side to side adjustment
D. After adjustment A/B/C, tighten screws

- To ensure proper cabinet alignment, refer to the above illustrations for instructions about adjusting the cabinet height, depth and lateral movement.



STEP 10

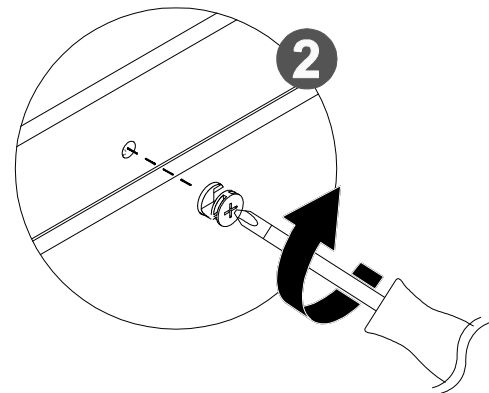
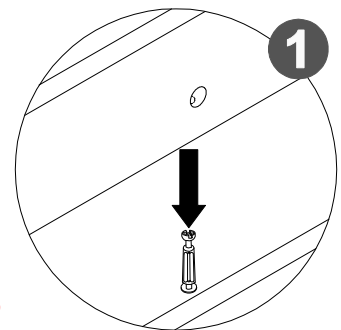
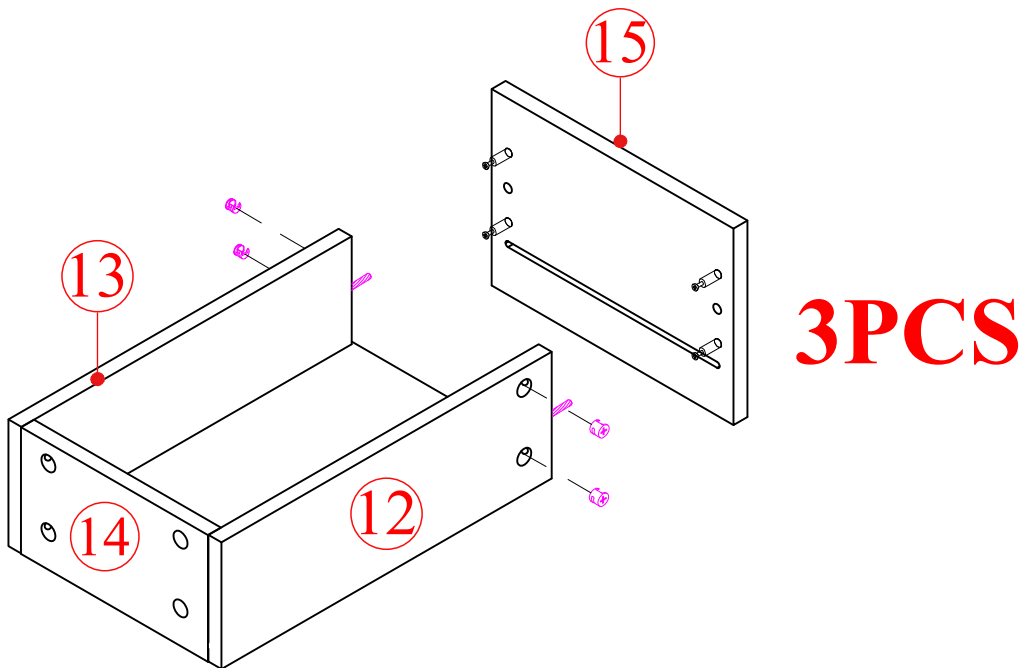
HARDWARE LIST		
A	 12PCS	



- Insert the wooden dowel pins into the panel #14
- Insert shelves #14, #12, #13 and #16 to their corresponding positions. Then tighten the cam lock.

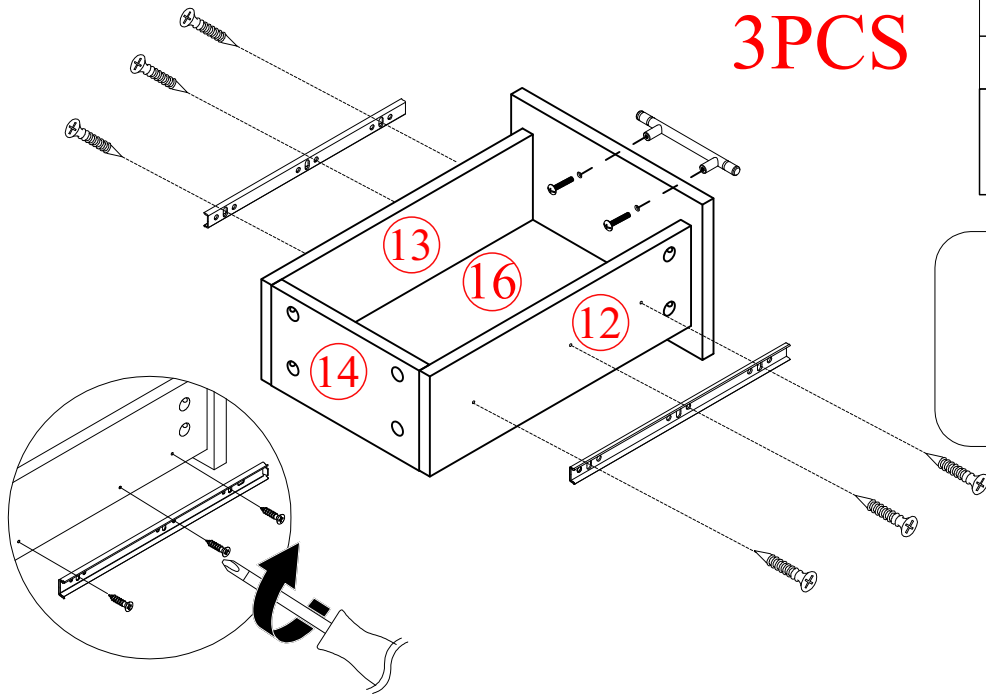
STEP 11

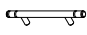

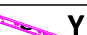

HARDWARE LIST		
A	 12PCS	

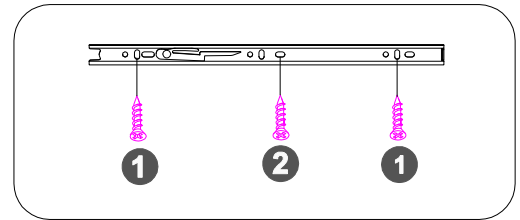
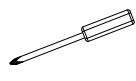


- Insert the wooden dowel pins into the panel #15
- Insert drawer panel to their corresponding positions. Then tighten the cam lock.

STEP 12

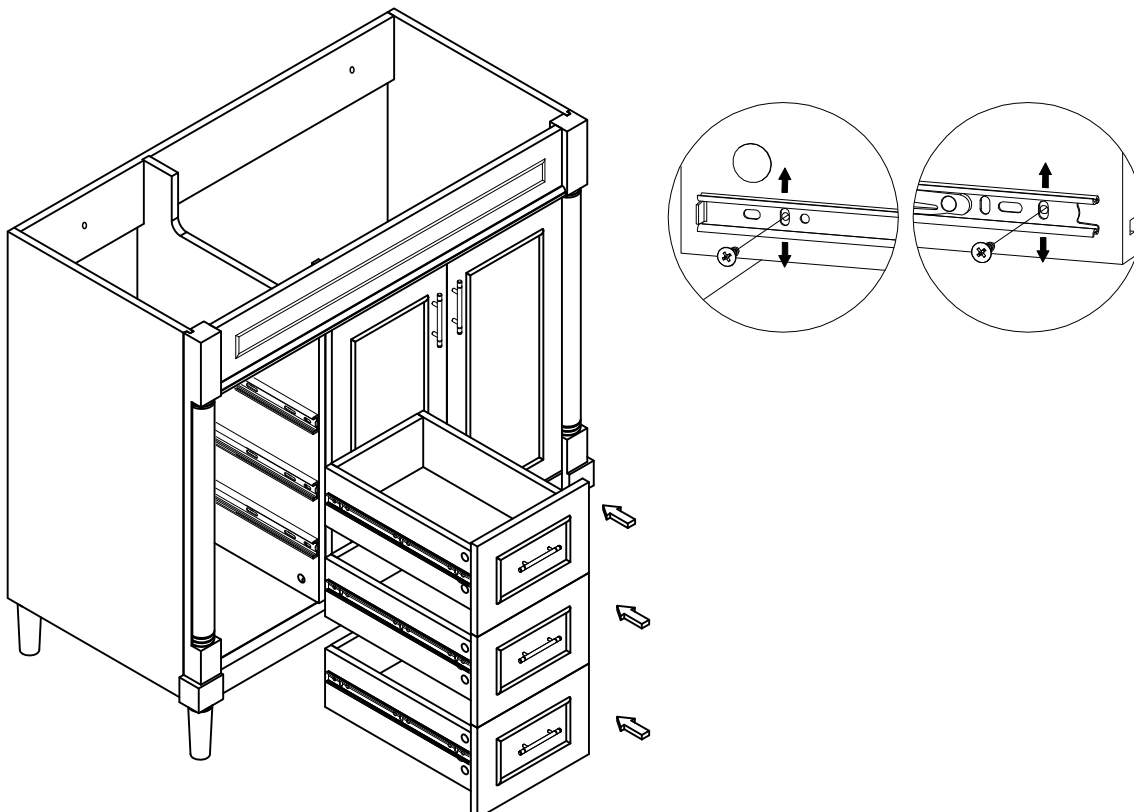


HARDWARE LIST		
F		3PCS
H		6PCS
I		6PCS
		18PCS




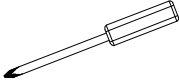


- Refer to the illustration, Apply Screws to fix the Slides on the panel #12,#13.
- Use Screws to install the handle

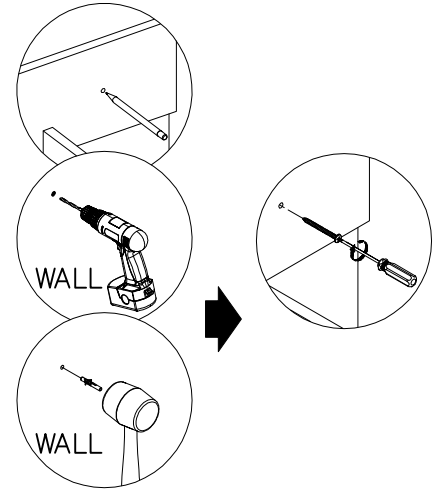
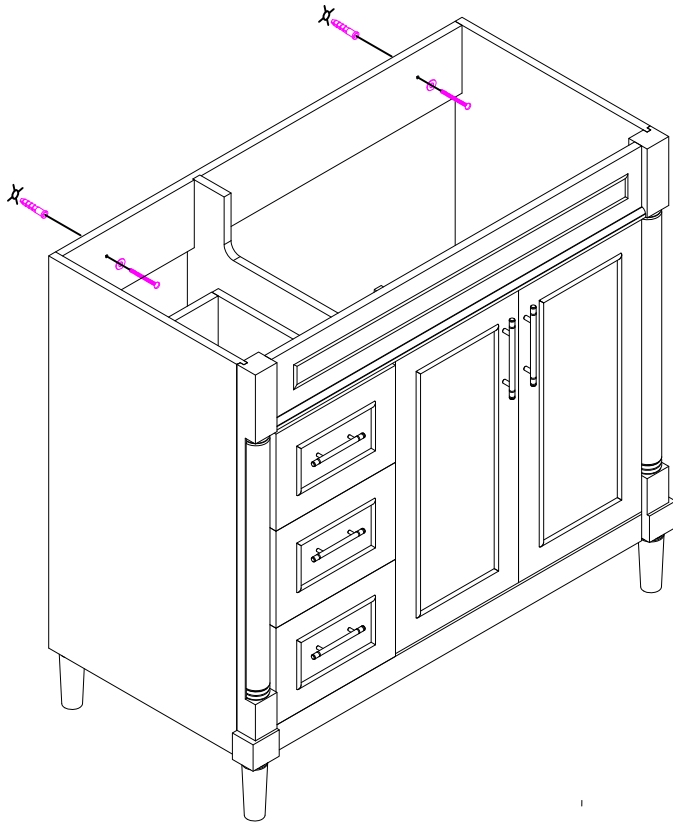
STEP 13



- If the drawers are not in the same level, please adjust the screws in the drawer box.
- Assembled drawers are loaded onto cabinets.

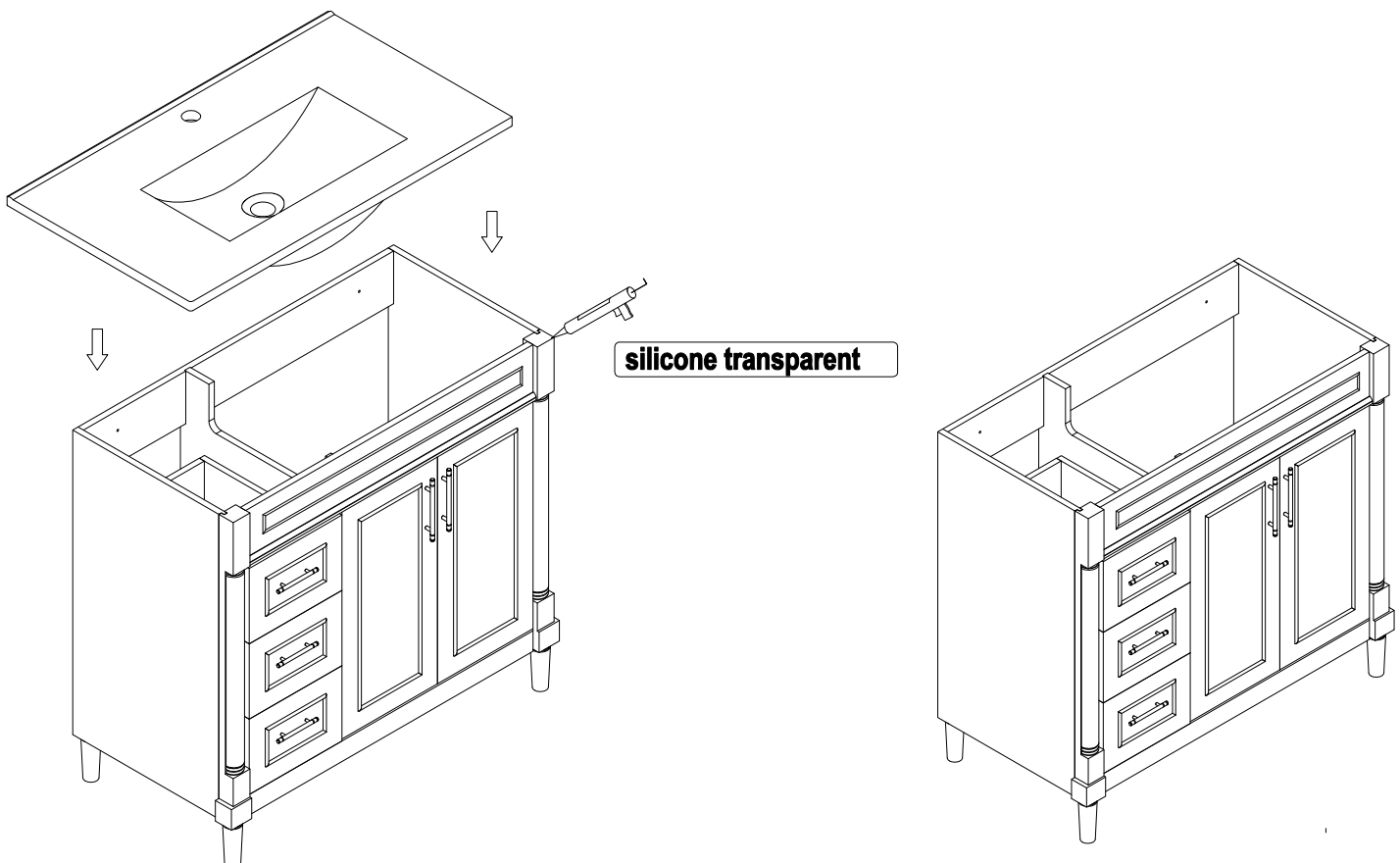
STEP 14

HARDWARE LIST			
L		2PCS	
L		2PCS	
L		2PCS	



- Refer to the illustration, Draw the spacing between the walls on the cabinet, punch holes in the wall, and fix the cabinet to the wall with screws.

STEP 15



- To help prevent mildew, apply sealant to the space between the wall and the edge of the cabinet.

CARE AND CLEANING

1. Many cleansers contain abrasive and chemical substance which is not suitable for cleaning stainless steel, enamel, plating or plastic products. You may use mild cleansers or soaps to clean the surfaces. Wipe any splashes of cleaner solutions from the surface with a clean soft cloth.
2. Maintain ventilation in the bathroom and separate the dry area from the damp one if conditions permit. Try to open the door and windows of the bathroom to maintain adequate ventilation.
3. This cabinet is built to withstand normal bathroom humidity. For best results, keep this vanity dry and take necessary steps to minimize bathroom humidity by opening windows and doors and using the exhaust fan (if available).
4. To maintain the cabinet door, clean and wipe the door regularly with a soft cloth. Wipe condensation with a dry, soft cloth. Keep away from resin and high temperatures.
5. Please do not sit, lean or step on the basin cabinet.