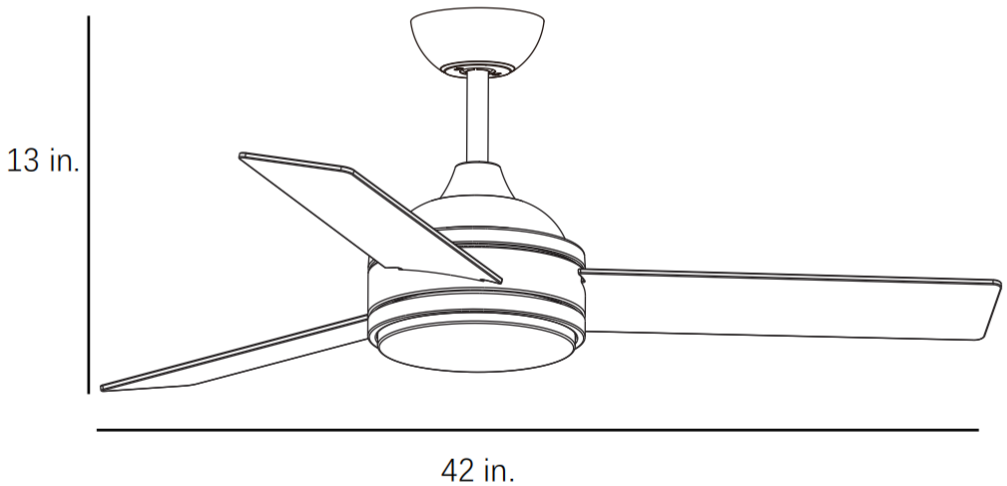


Ceiling Fan

Specification



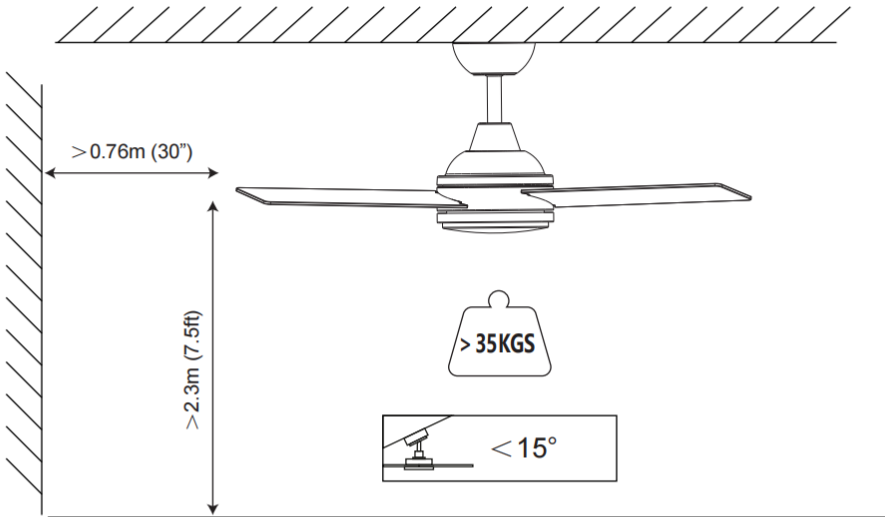
THANK YOU

We appreciate the trust and confidence you have placed in us through the purchase of this ceiling fan. We strive to continually create quality products designed to enhance your home. Thank you for choosing us!

Visit www.pmwfan.com for further assistance.

DIMENSIONS

- First, check the room size, and then ensure there is at least 30 inches (76 centimeters) of clearance or space between the fan and any walls or other obstacles that the fan blades might hit to optimize airflow. After installation, please verify blades are at least 7.5 feet (2.3 meters) above the ground.



TOOLS REQUIRED



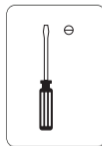
Step
ladder



pliers



Phillips
screwdriver



Flat blade
screwdriver



Electrical
tape

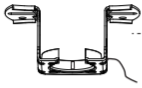


tape
measure

PACKAGE LIST



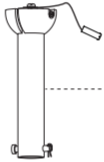
Unpack your fan and check the contents. You should have the following:



1. Bracket



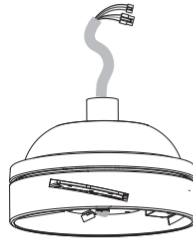
2. Canopy



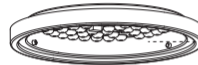
3. Downrod



4. Coupling cover



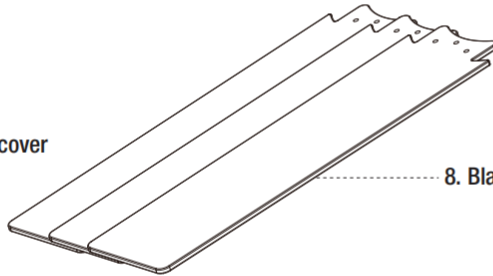
5. Motor Assembly



6. Light Fixture

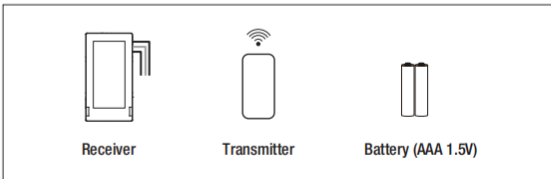


7. Lampshade

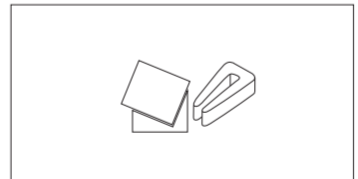


8. Blades

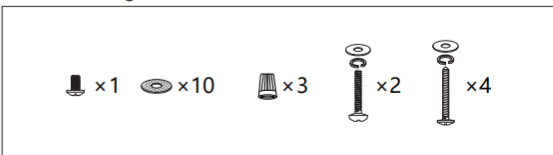
Remote control unit



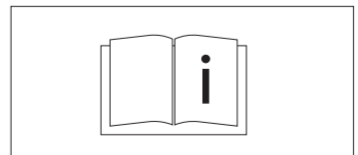
Blade balance kit



Hardware bag



Installation manual



• Note: The illustrations in this manual are for explanatory purposes only and may not correspond to actual units.