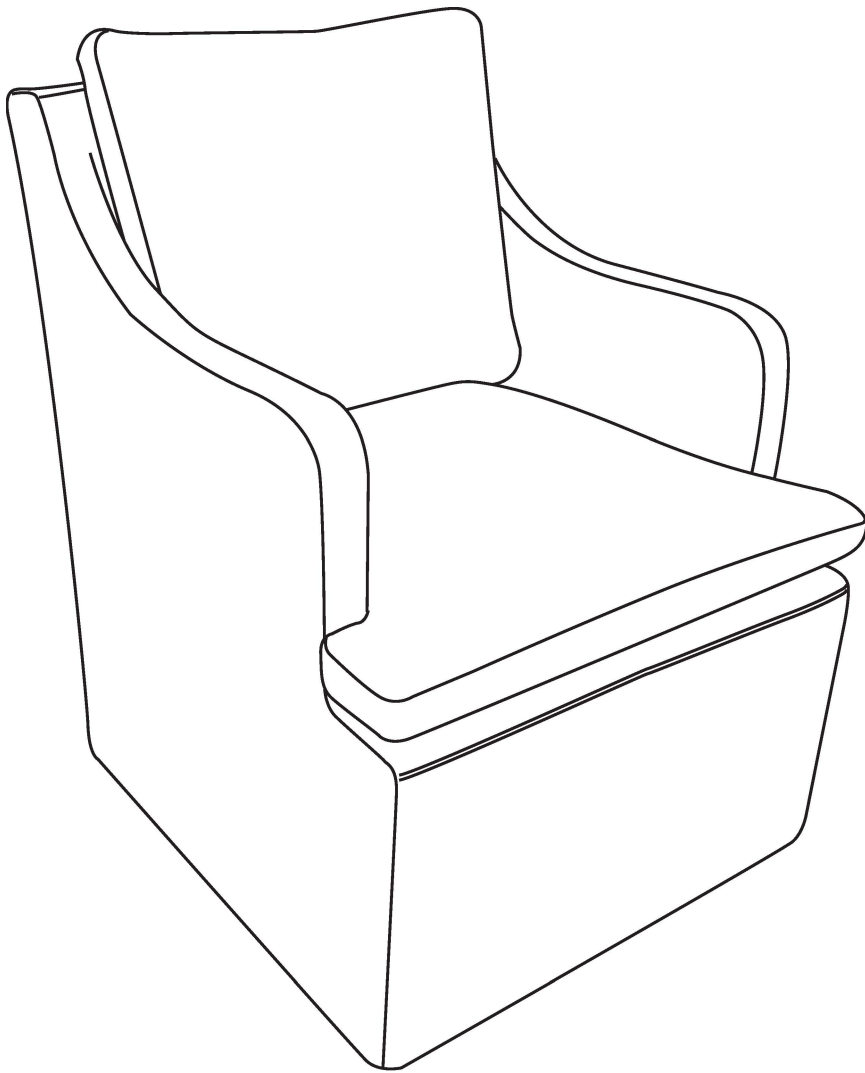


ASSEMBLY INSTRUCTIONS



WARNING



Please read the instructions carefully and follow the assembly steps.

Do not tighten bolts or screws completely until all hardware is lined up and inserted into the holes.

Do not over-tighten screws and bolts to avoid stripping the hardware or cracking the item.

Assemble your item on a flat, carpeted area, with plenty of space to work. This will prevent damage and scratches to your floors or the item while you're assembling the product.

Keep all components and packaging out of reach of children or animals to avoid risk of choking or suffocation.

ASSEMBLY PARTS AND TOOL

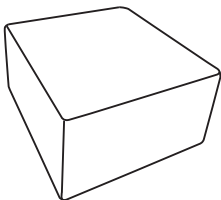


BEFORE YOU GET STARTED. A FEW POINTERS:



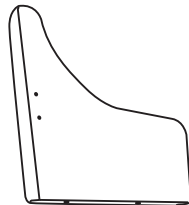
Please use the included wrench instead of an ELECTRIC HAND DRILL in case of damage to the chair leg.

A



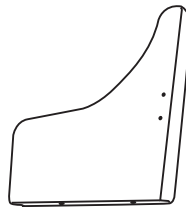
Storage Space*1

B



Right Armrest*1

C



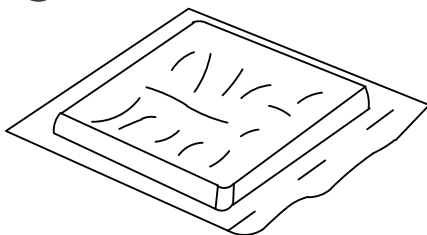
Left Armrest*1

D



Back*1

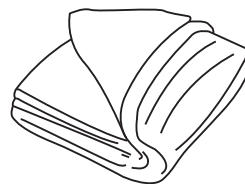
E F



Back Cushion*1

Seat Cushion*1

G



Removable Slipcover*1

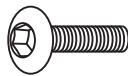
ASSEMBLY PARTS AND TOOL

1



Bolt M6*60mm*4

2



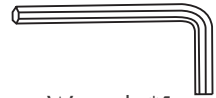
Bolt M6*35mm*8

3



Flat Washer*4

4



Wrench *1

5



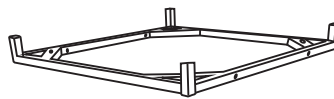
Caster*4

6



Insert Piece*2

7



Metal Frame*1

8

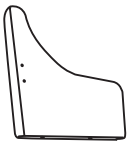


Foot Peg*4

ASSEMBLY INSTRUCTIONS

STEP 1:

B

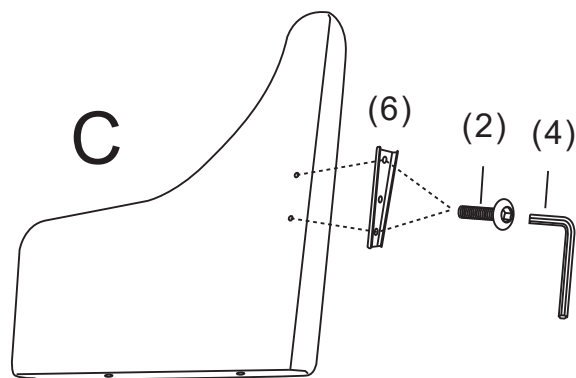


Right Armrest*1

C



Left Armrest*1



2



Bolt M6*35mm*4

4

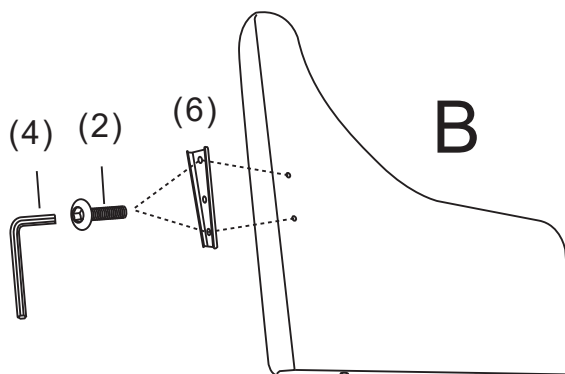


Wrench *1

6

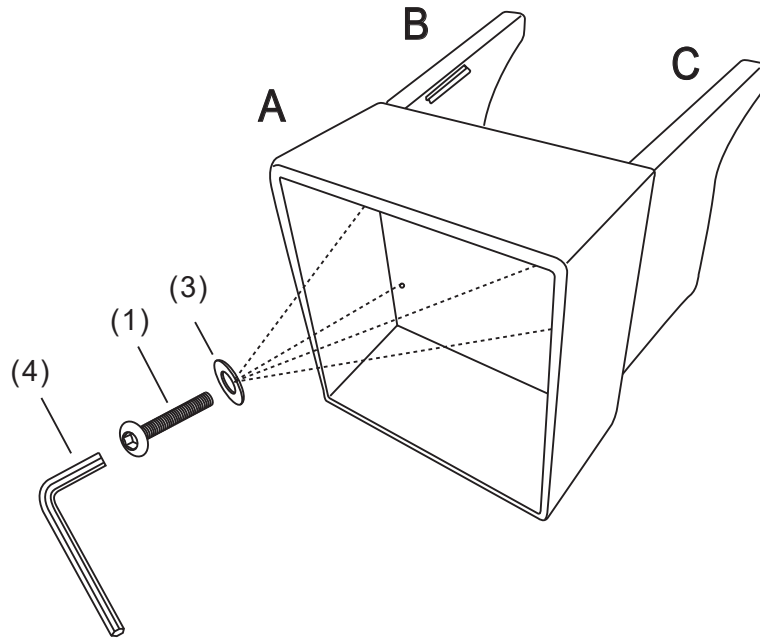
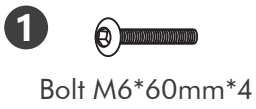


Insert Piece*2

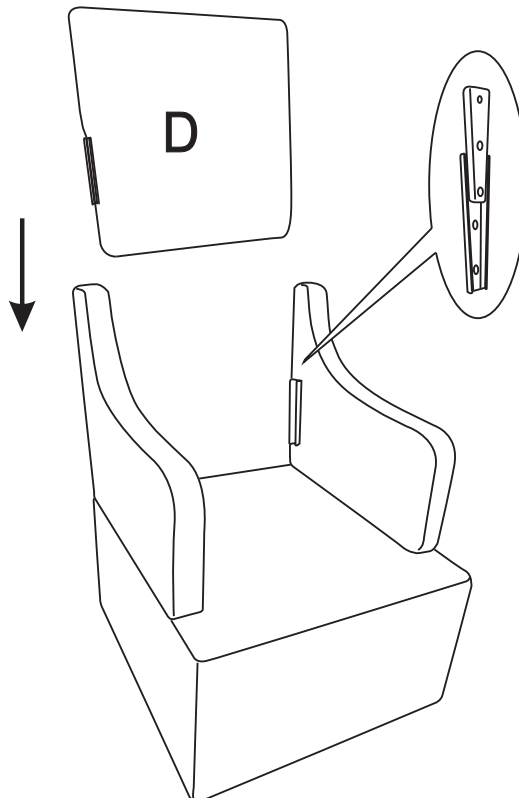
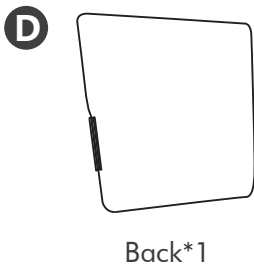


ASSEMBLY INSTRUCTIONS

STEP 2:



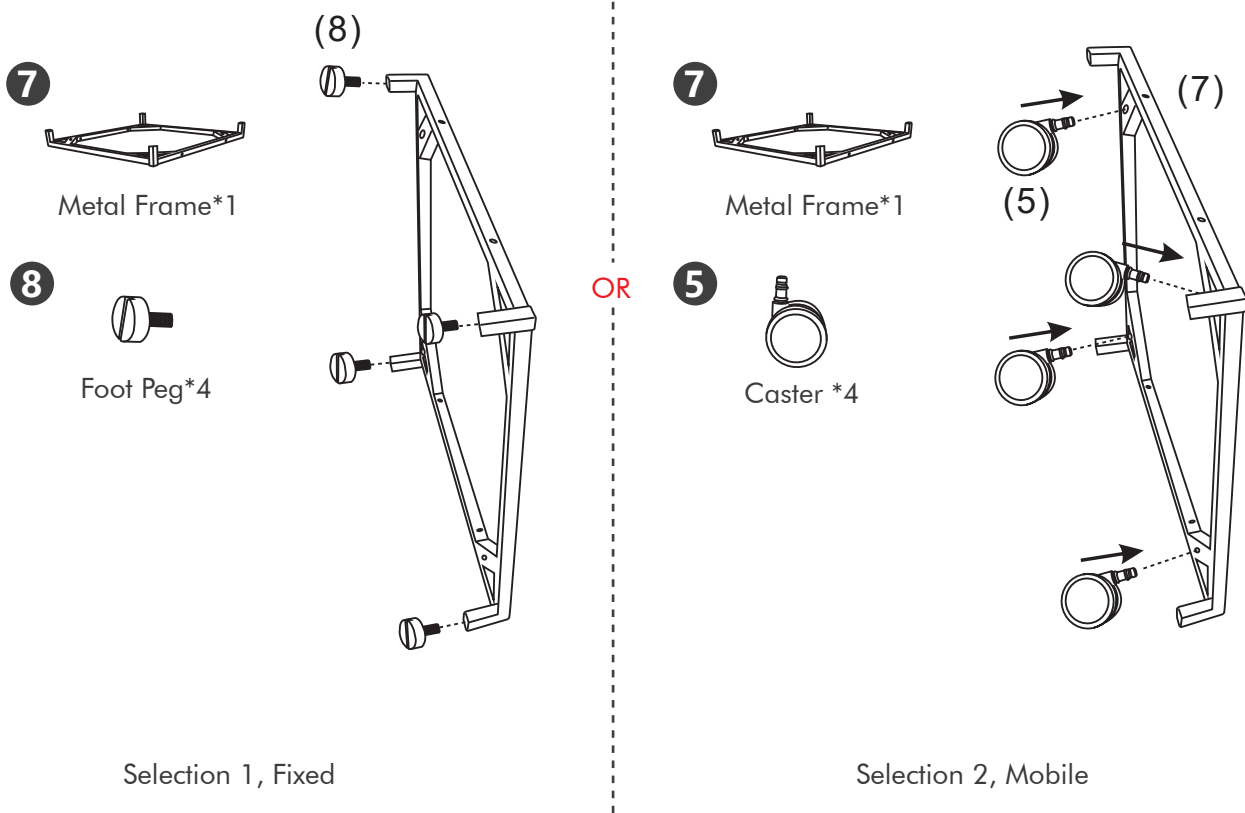
STEP 3:



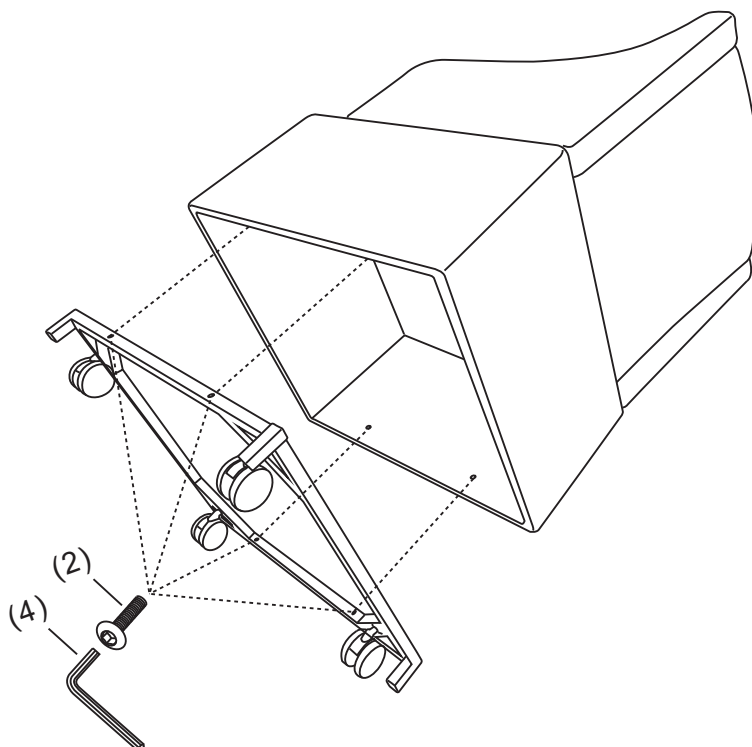
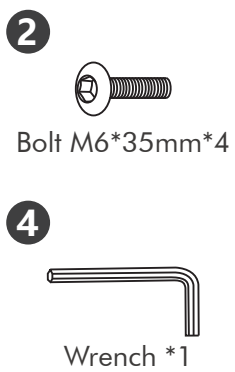
ASSEMBLY INSTRUCTIONS

STEP 4:

You have the option of mounting the casters or the foot pegs to the bottom of the chair.



STEP 5:



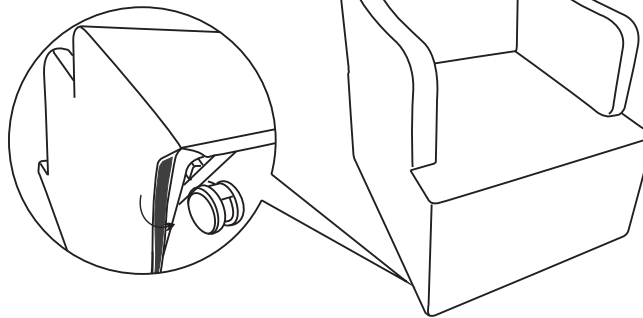
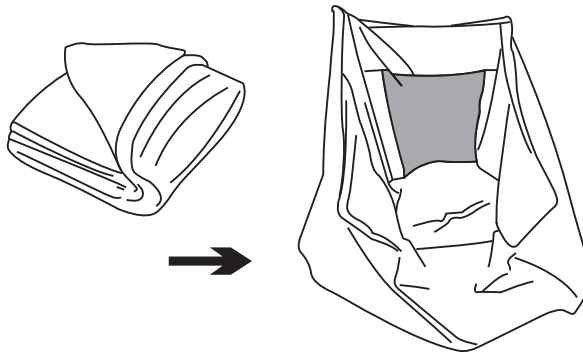
ASSEMBLY INSTRUCTIONS

STEP 6:

G



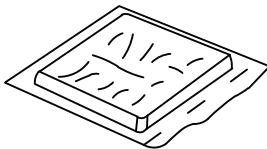
Removable Slipcover*1



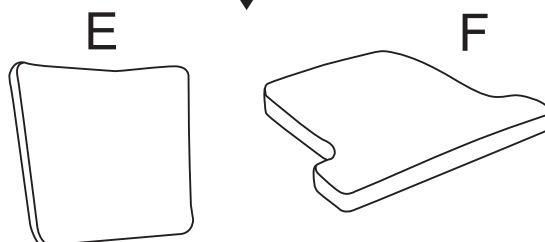
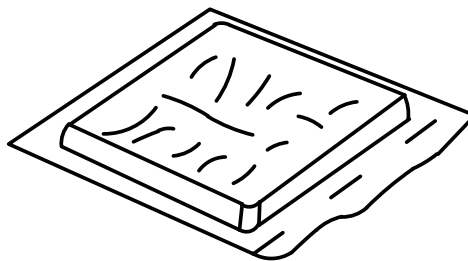
Please smooth out the Velcro before attaching it to the bottom position.

STEP 7:

E F

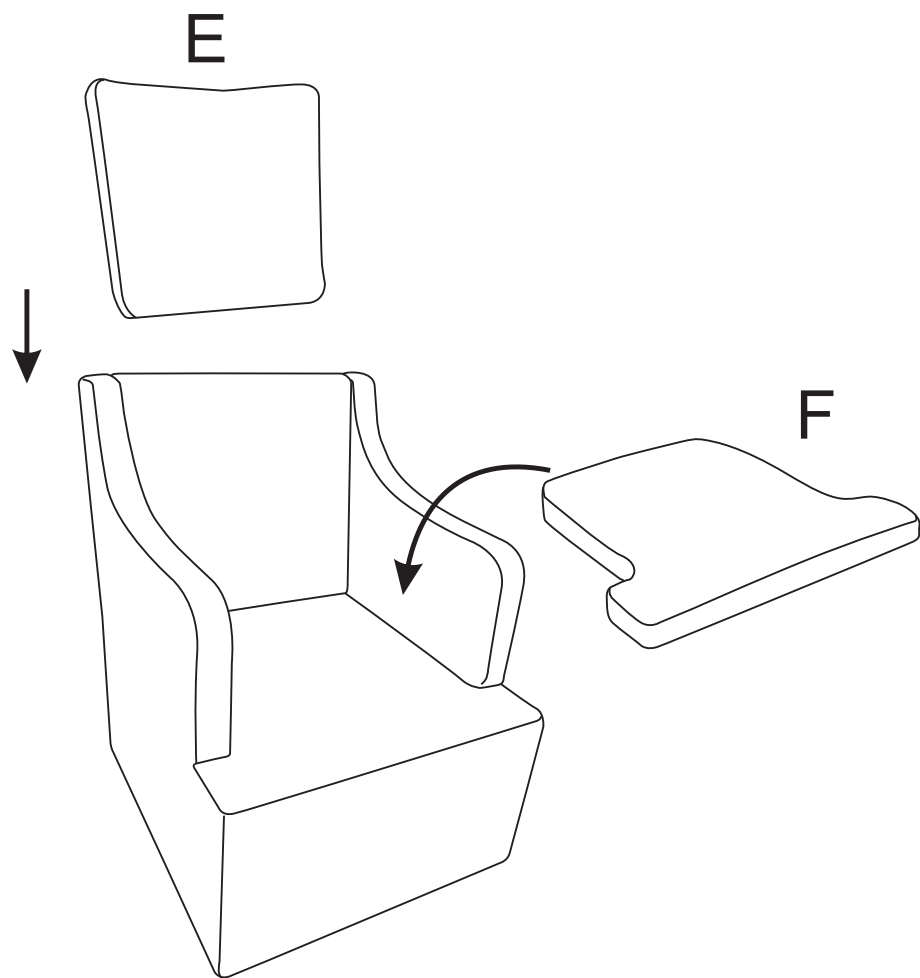


Back Cushion*1
Seat Cushion *1



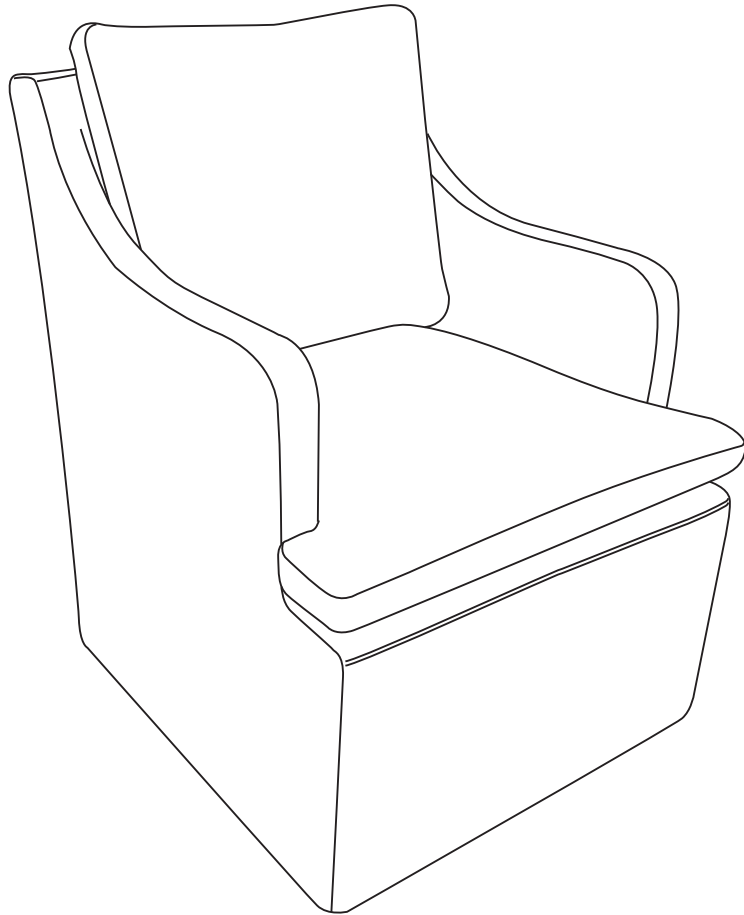
ASSEMBLY INSTRUCTIONS

STEP 8:



ASSEMBLY INSTRUCTIONS

STEP 9:



Your chair assembly is complete!

CARING FOR YOUR ITEM

Indoor use only

Not contract grade.

Clean using a non-abrasive cloth and a mild cleaner.

Never use harsh chemicals, as they could damage the finish or integrity of the item.