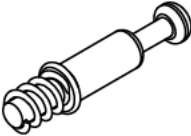

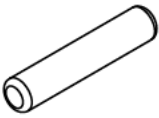


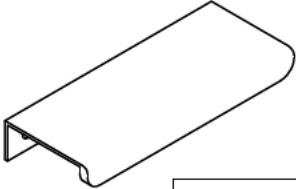
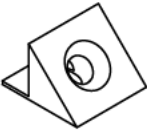
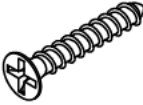
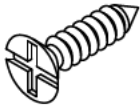
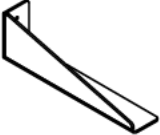
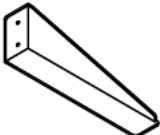





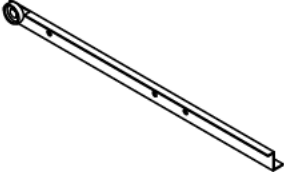
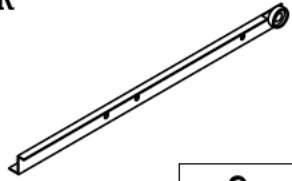
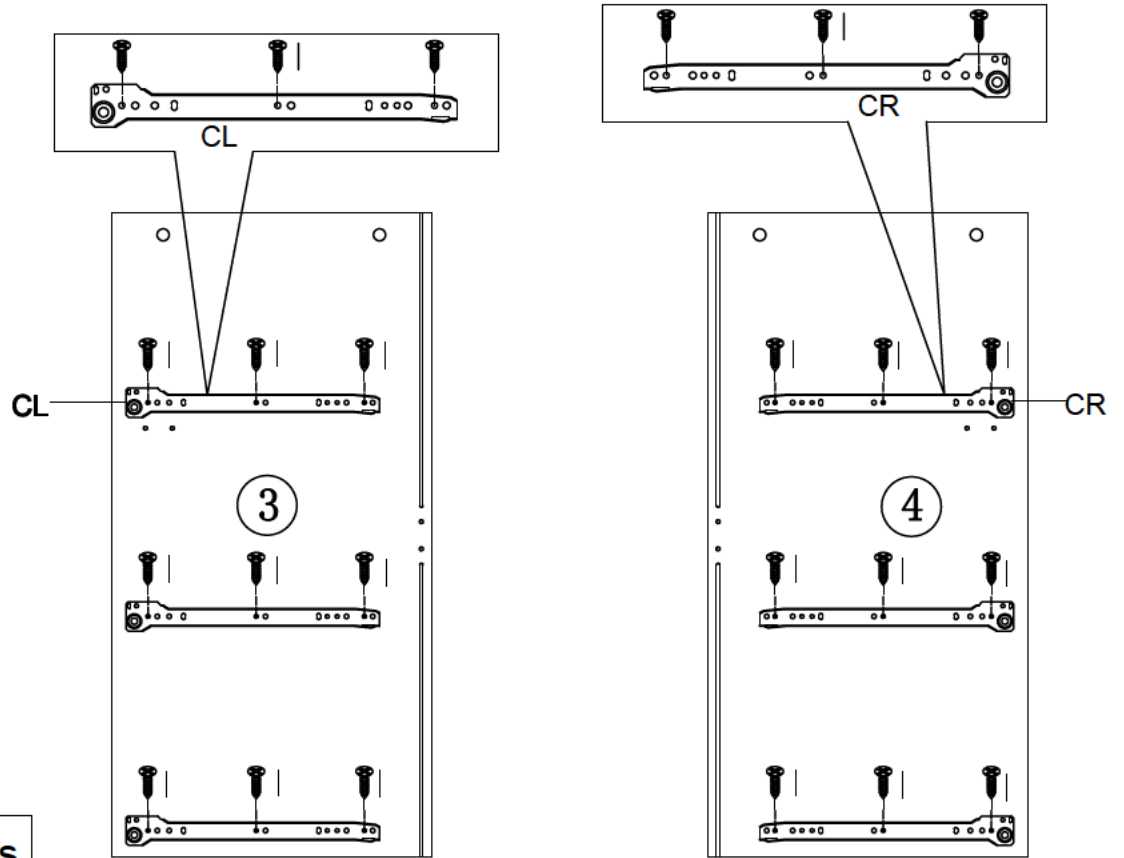





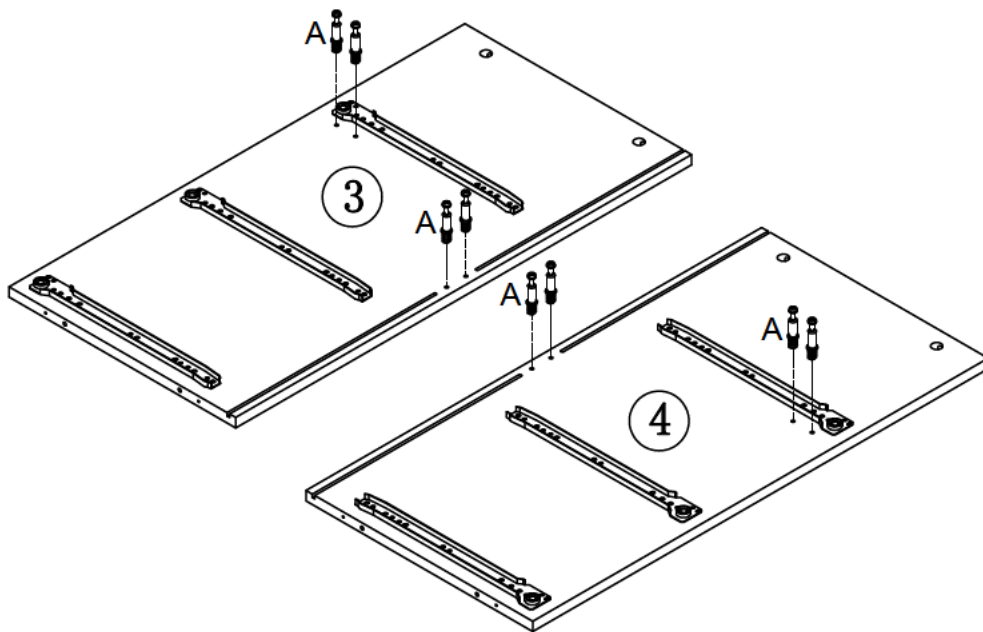
<p>A</p>  <p>M6*32mm 88+4pcs</p>	<p>B</p>  <p>∅15*9.5 88+4pcs</p>	<p>C</p>  <p>M6*30mm 24+4pcs</p>
<p>D</p>  <p>M4*50mm 8+1pcs</p>	<p>E</p>  <p>M4*35mm 40+4pcs</p>	<p>F</p>  <p>9pcs</p>
<p>G</p>  <p>12+2pcs</p>	<p>H</p>  <p>M3*17mm 12+2pcs</p>	<p>I</p>  <p>M3*12mm 126+4pcs</p>
<p>J</p>  <p>1pc</p>	<p>K</p>  <p>1pc</p>	<p>L</p>  <p>2pcs</p>
<p>M</p>  <p>M4*14mm 6pcs</p>	<p>N</p>  <p>2pcs</p>	<p>CL</p>  <p>300mm 9pcs</p>
<p>CR</p>  <p>300mm 9pcs</p>	<p>DL</p>  <p>300mm 9pcs</p>	<p>DR</p>  <p>300mm 9pcs</p>


STEP 1



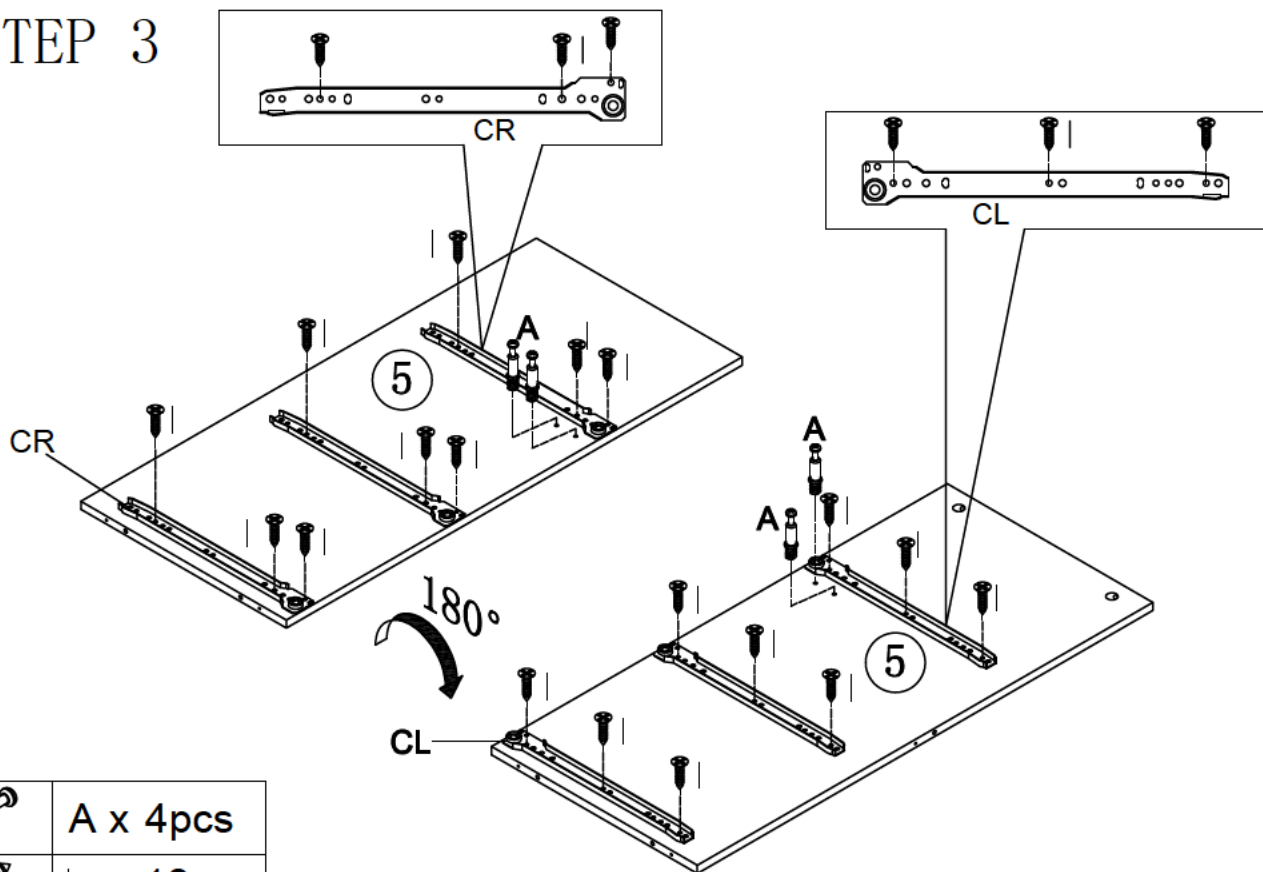
	x 18pcs
	CL x3pcs
	CR x3pcs





STEP 2



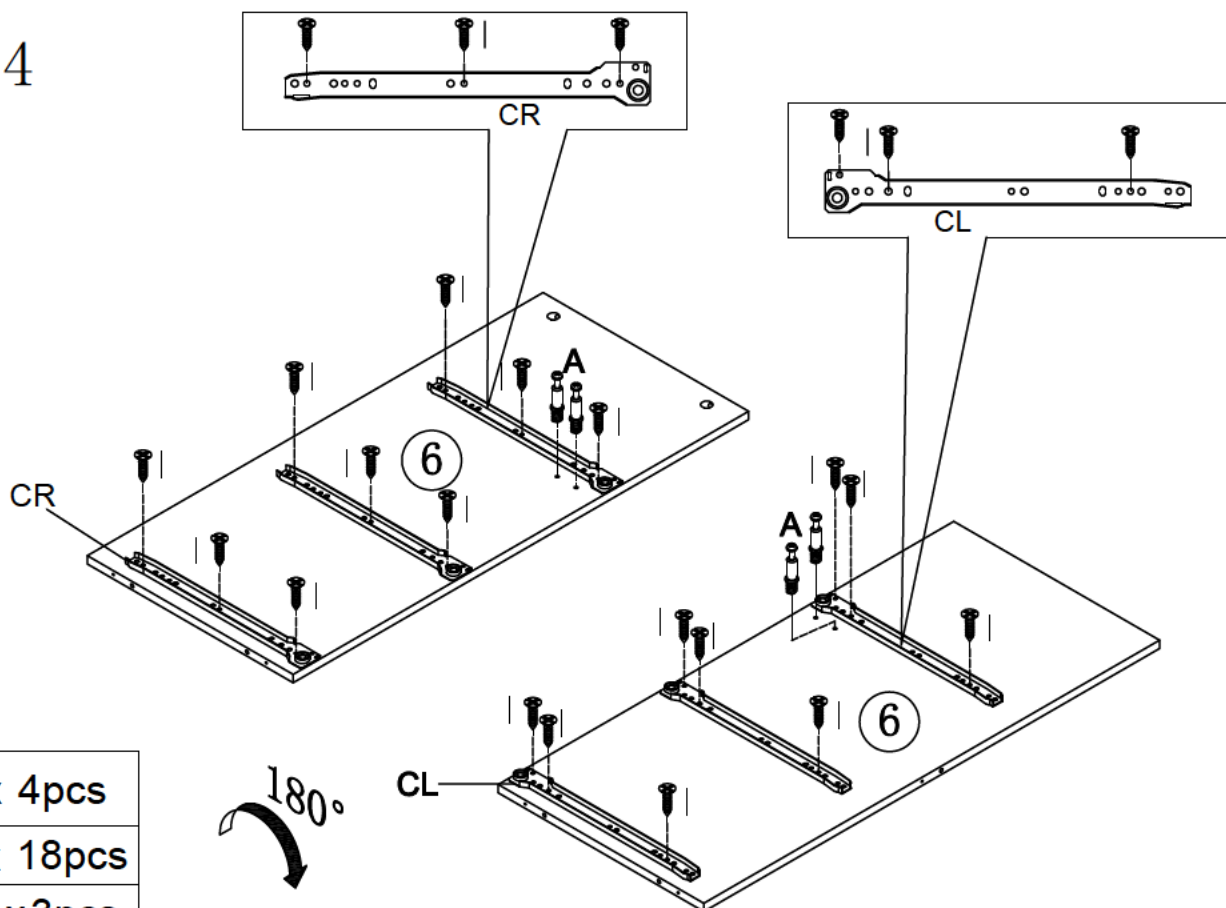
	A x 8pcs
--	----------





STEP 3



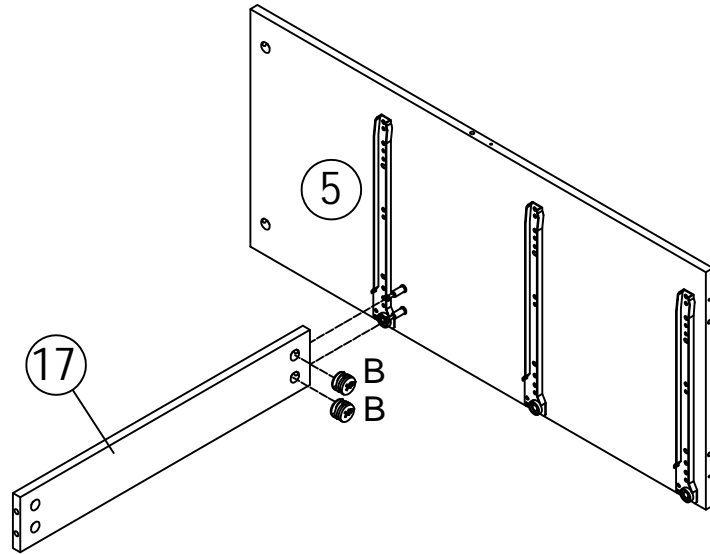
	A x 4pcs
	I x 18pcs
	CL x 3pcs
	CR x 3pcs

STEP 4



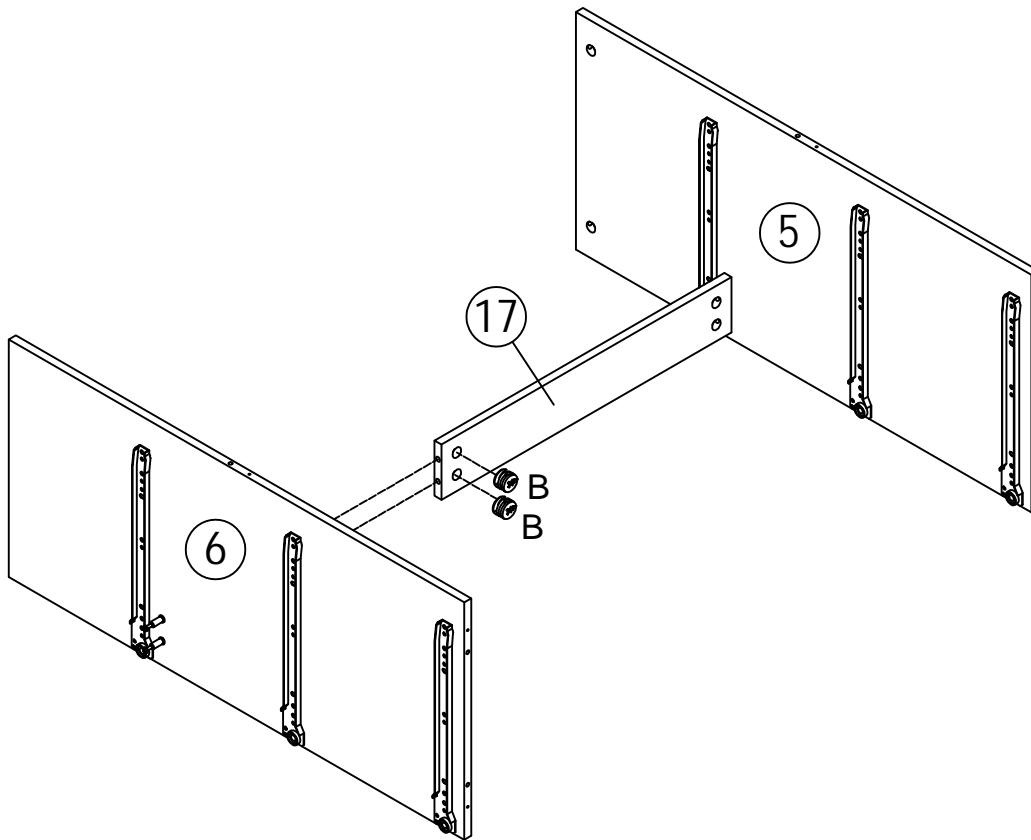
	A x 4pcs
	I x 18pcs
	CL x 3pcs
	CR x 3pcs

STEP 5



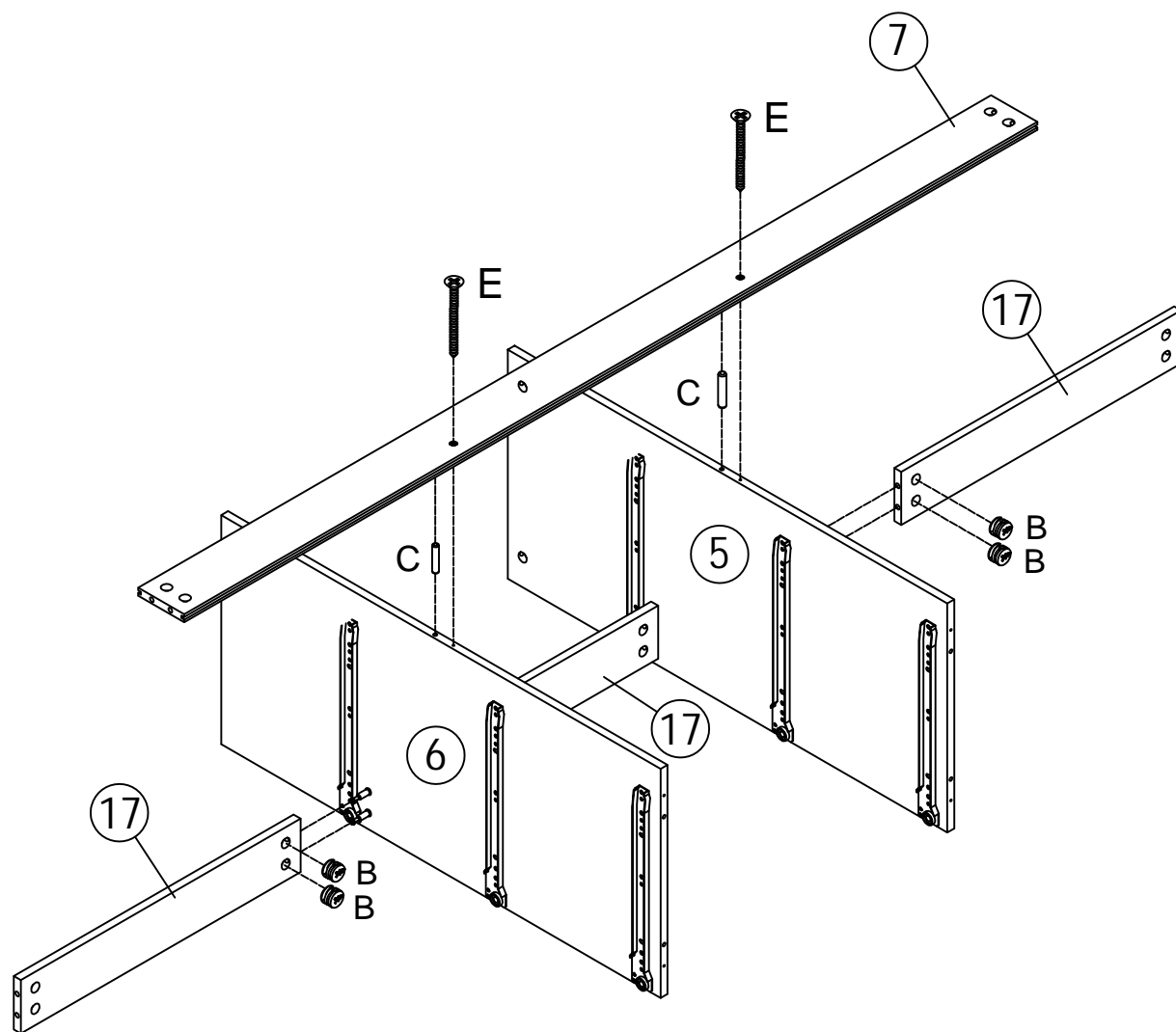
B x 2pcs


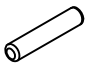

STEP 6



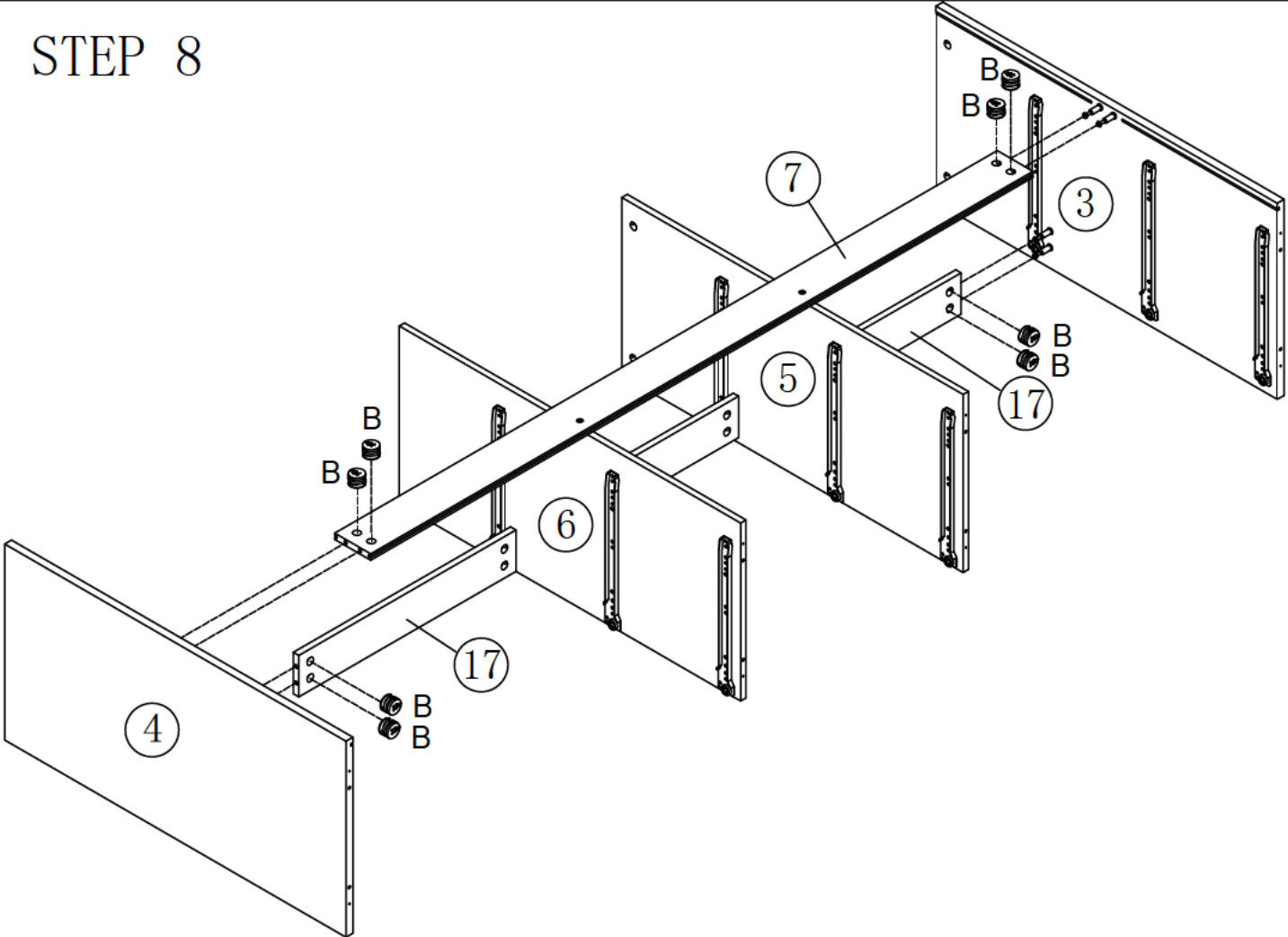
B x 2pcs

STEP 7



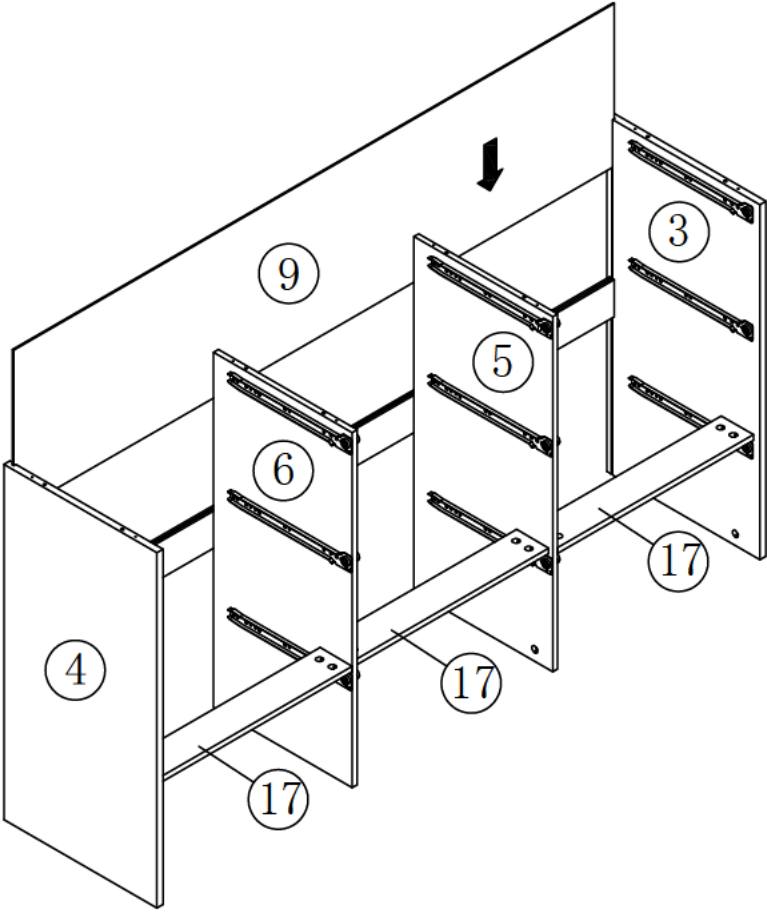
	B x 4pcs
	C x 2pcs
	E x 2pcs

STEP 8

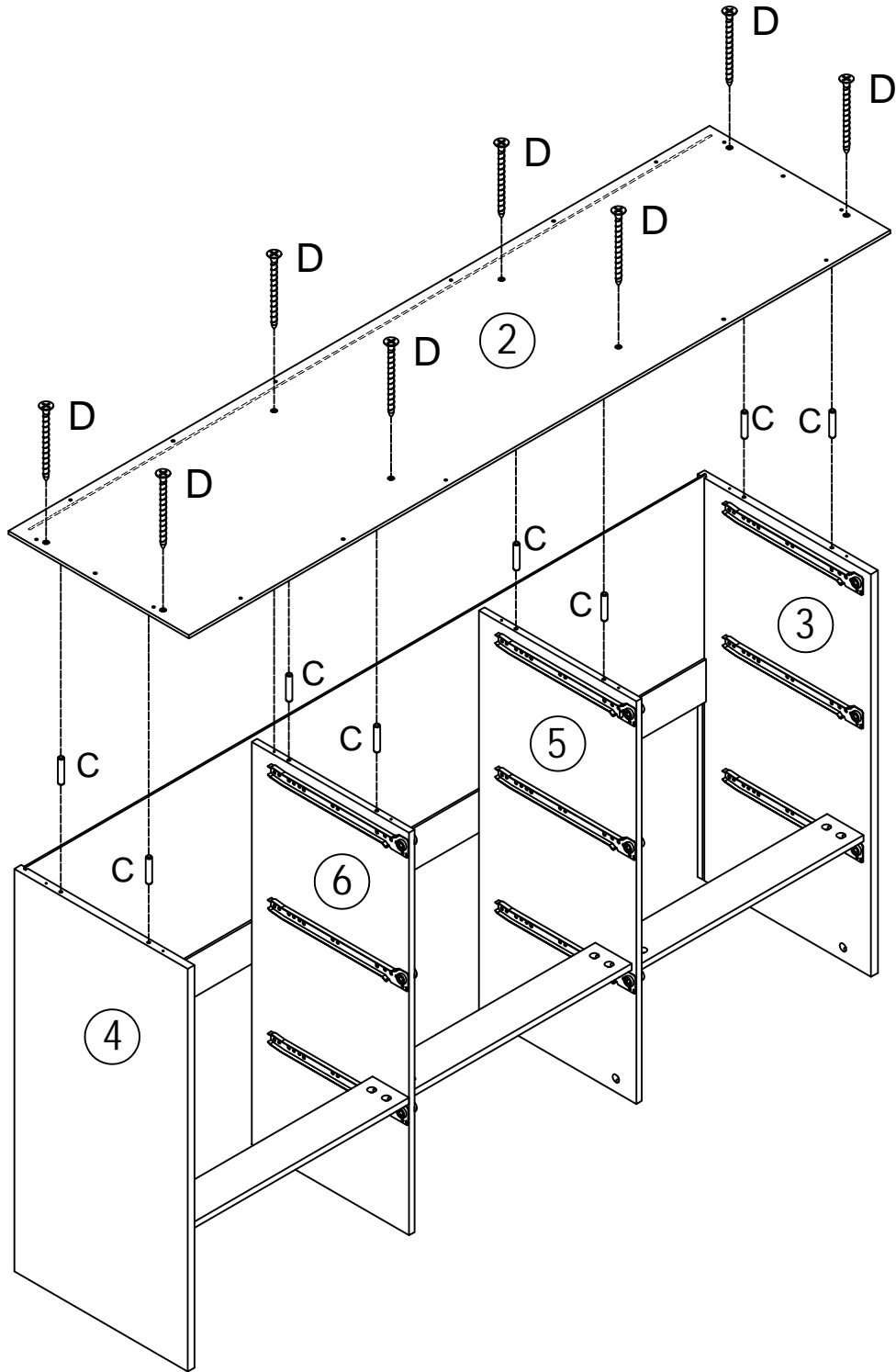


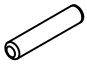

B x 8pcs

STEP 9

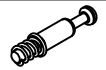
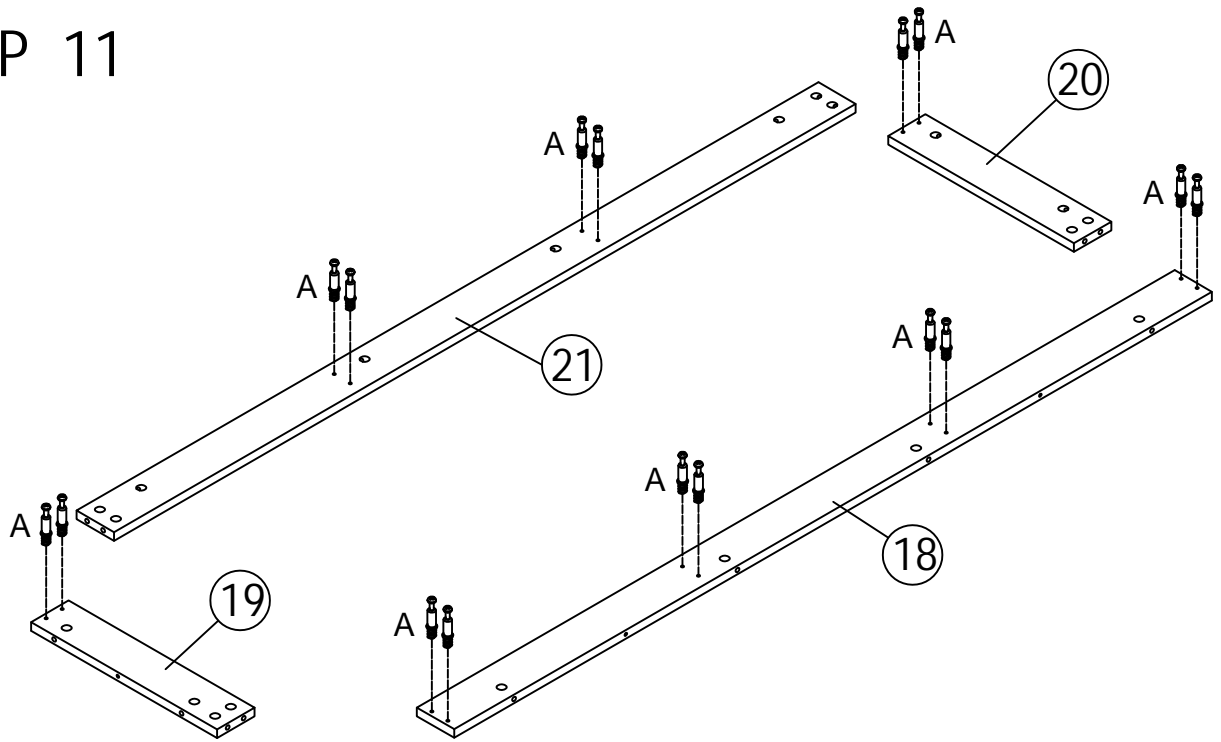


STEP 10



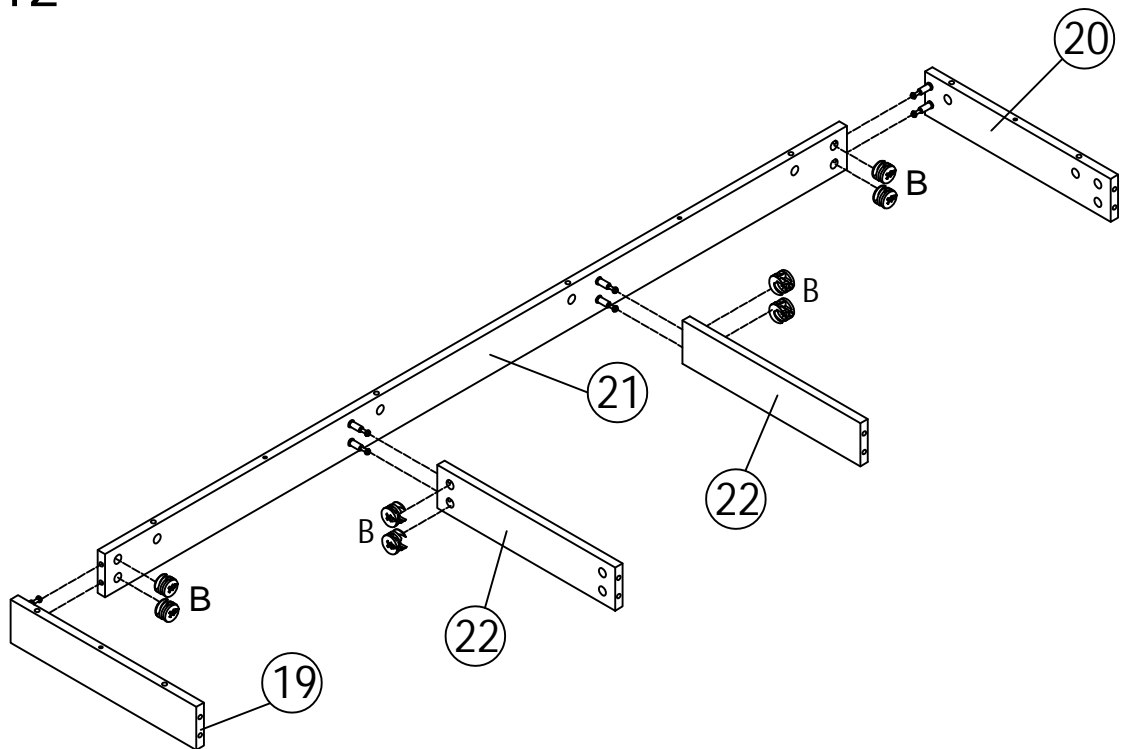
	C x 8pcs
	D x 8pcs

STEP 11



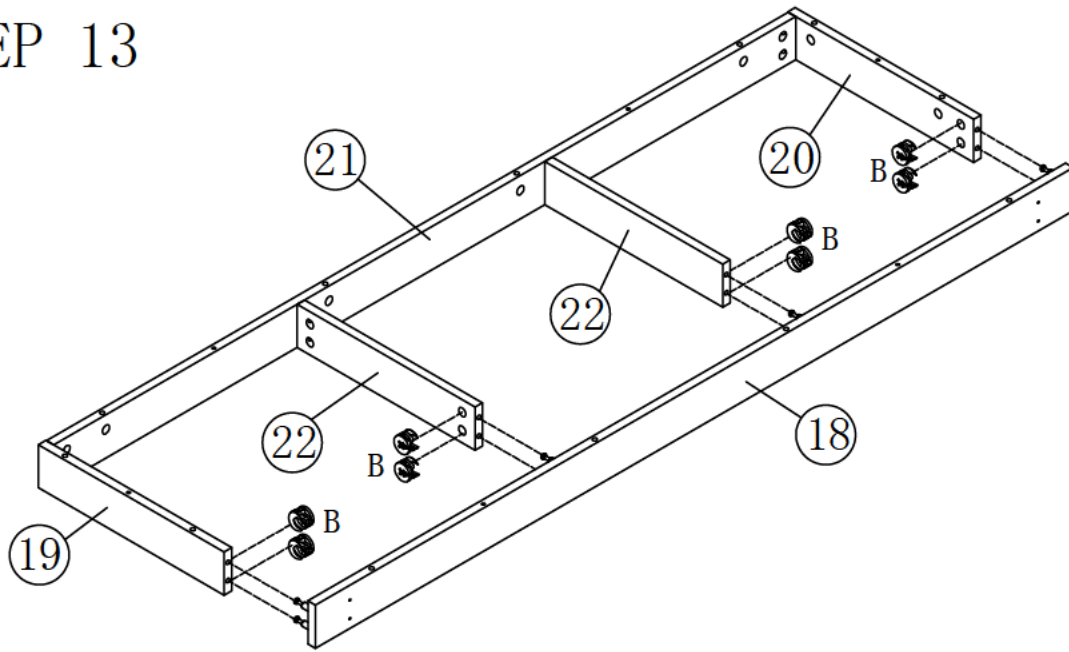
A x 16pcs

STEP 12



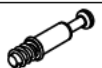
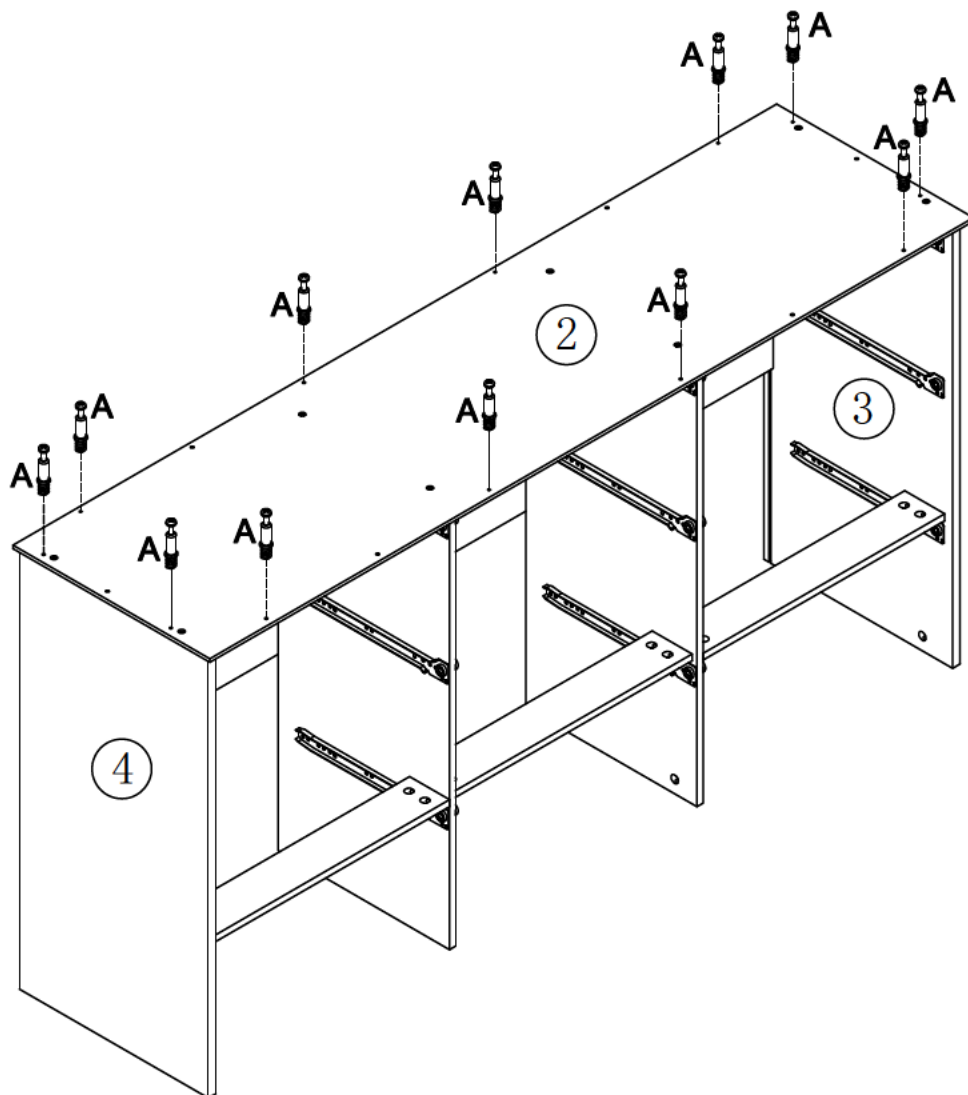
B x 8pcs

STEP 13



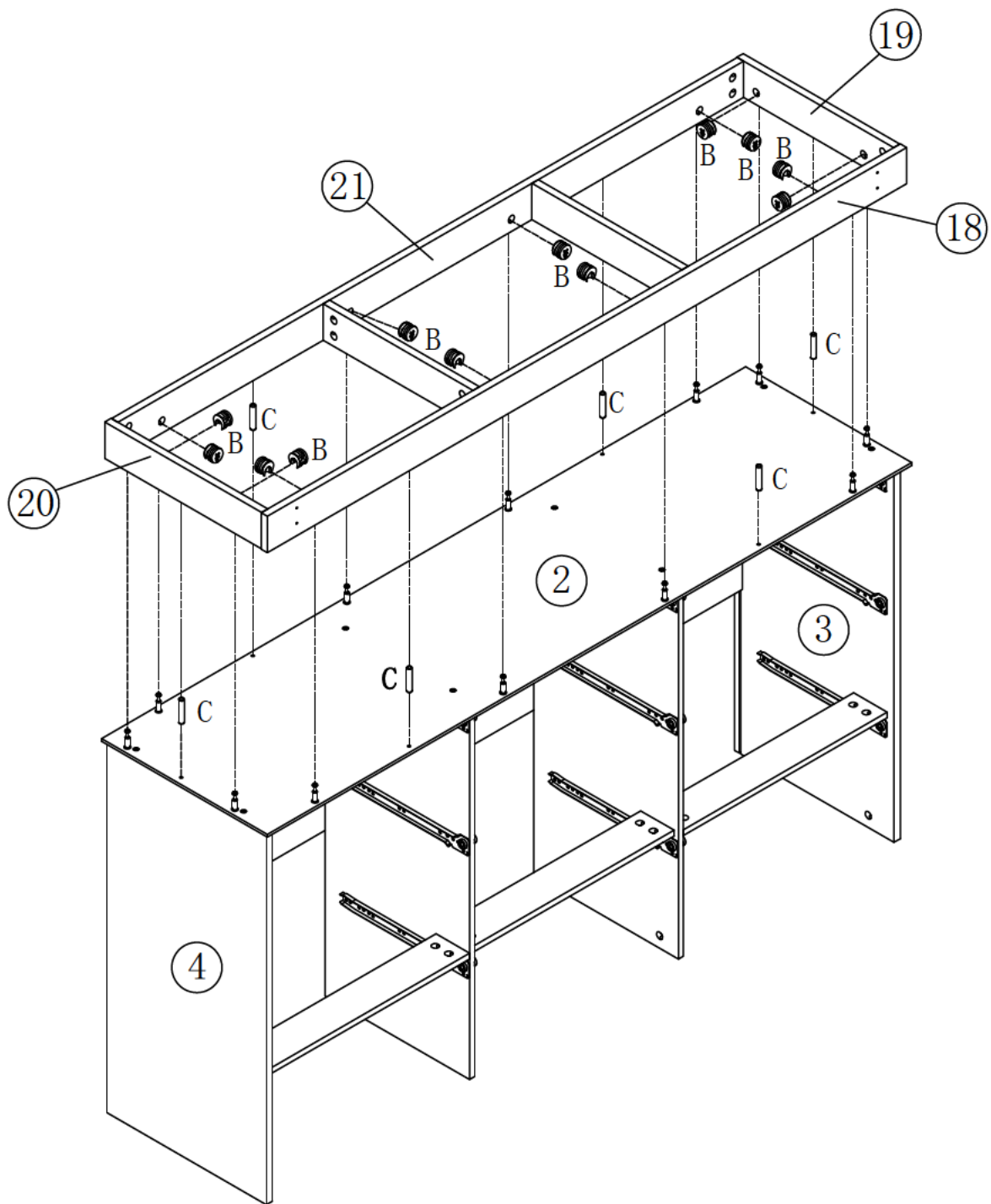
B x 8pcs



STEP 14



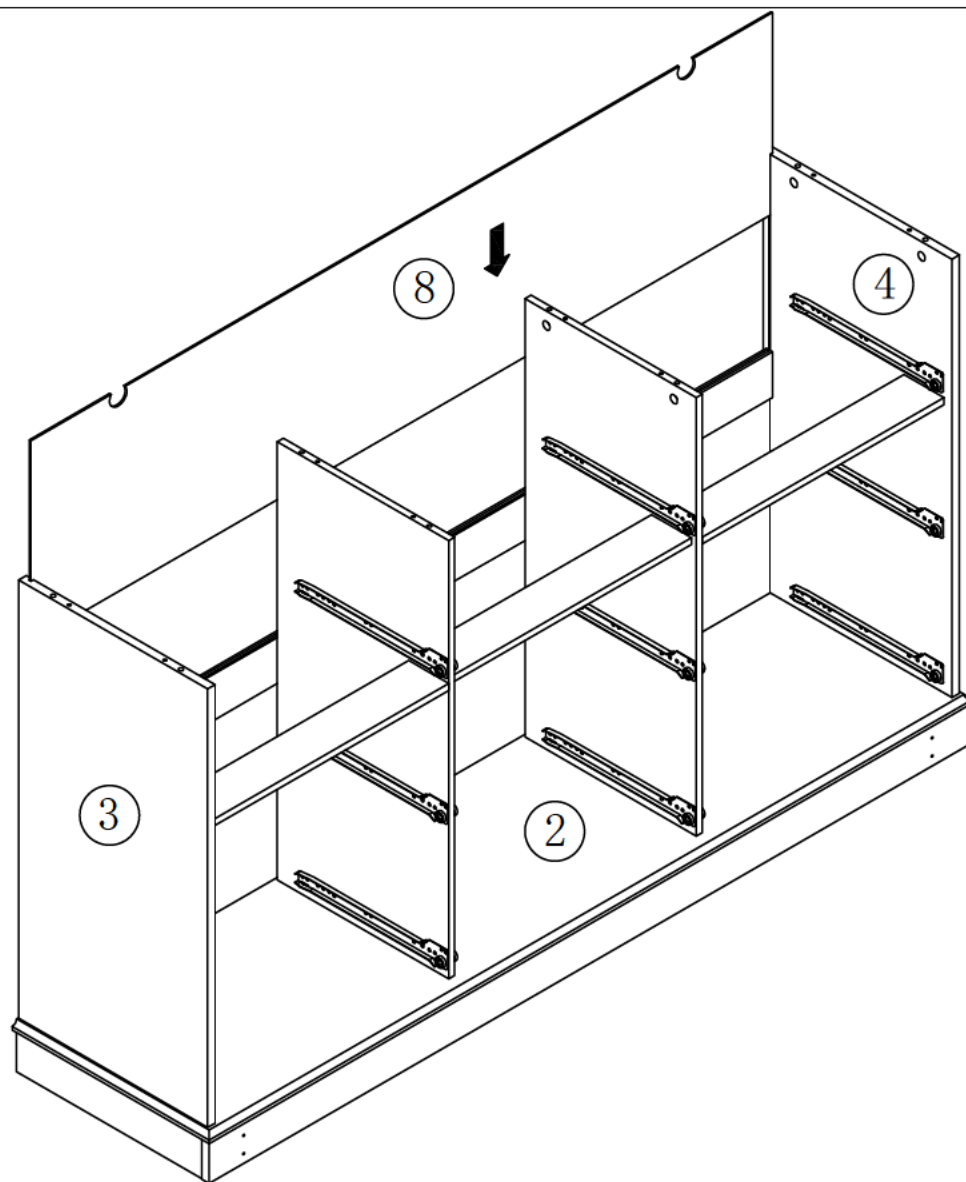
A x 12pcs

STEP 15

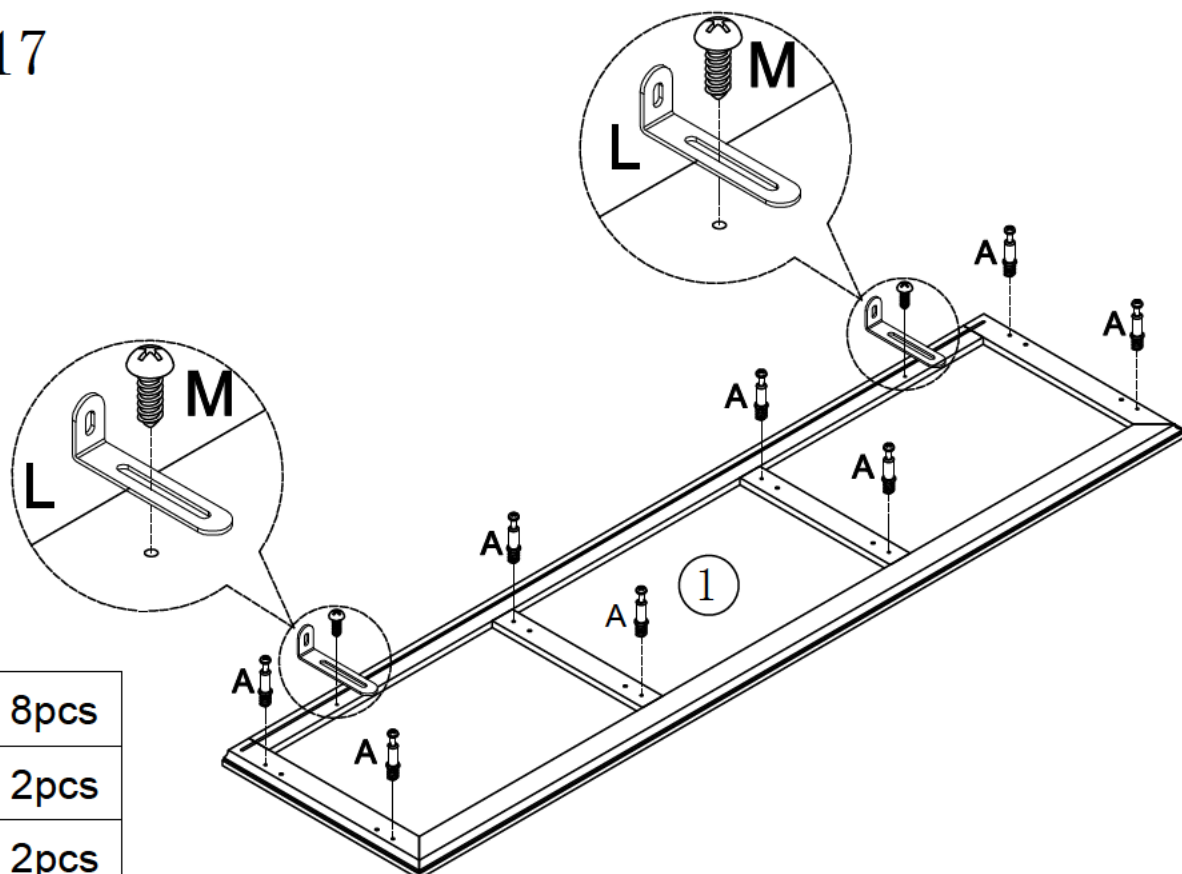





	B x 12pcs
	C x 6pcs

STEP 16

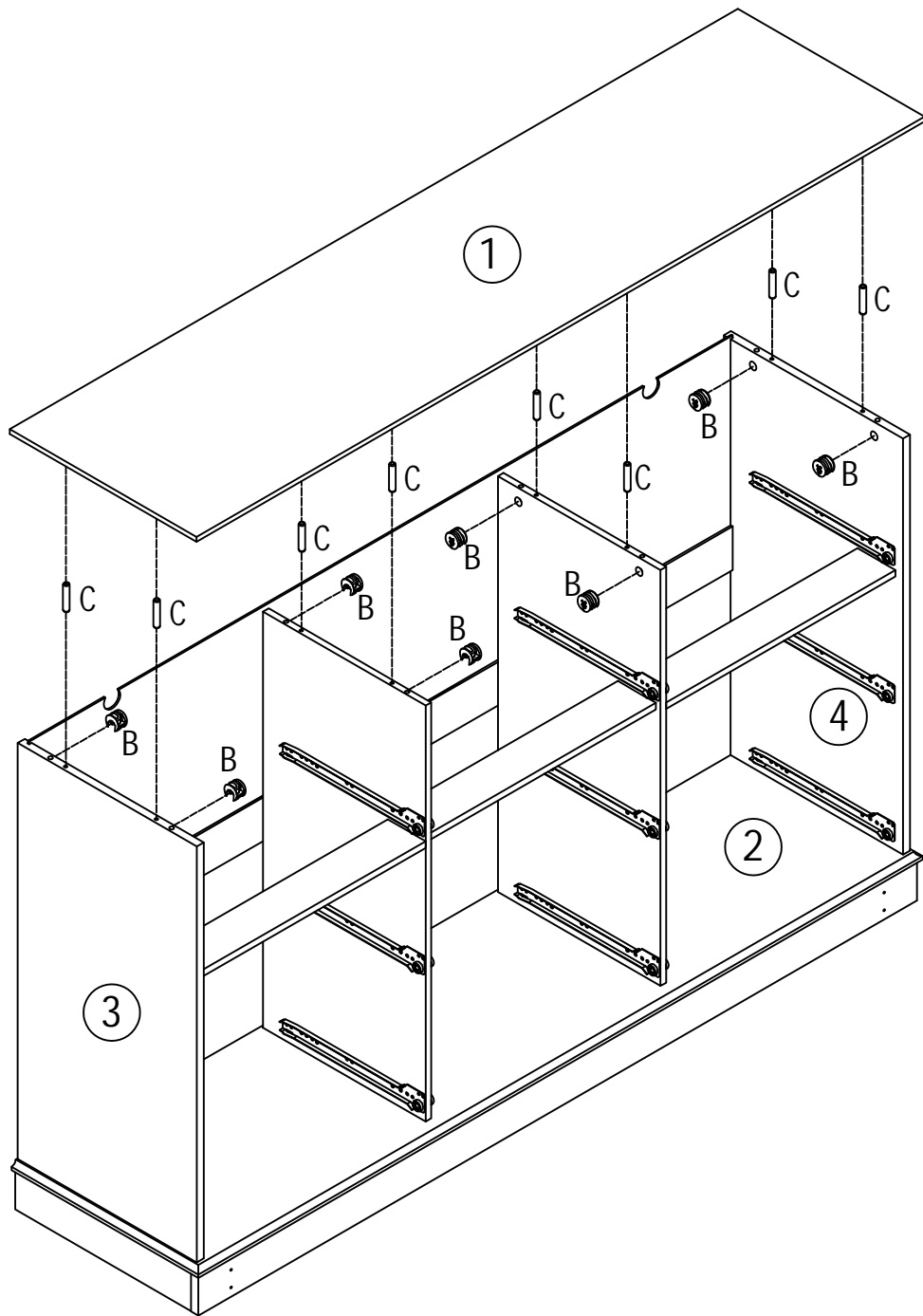



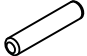
STEP 17



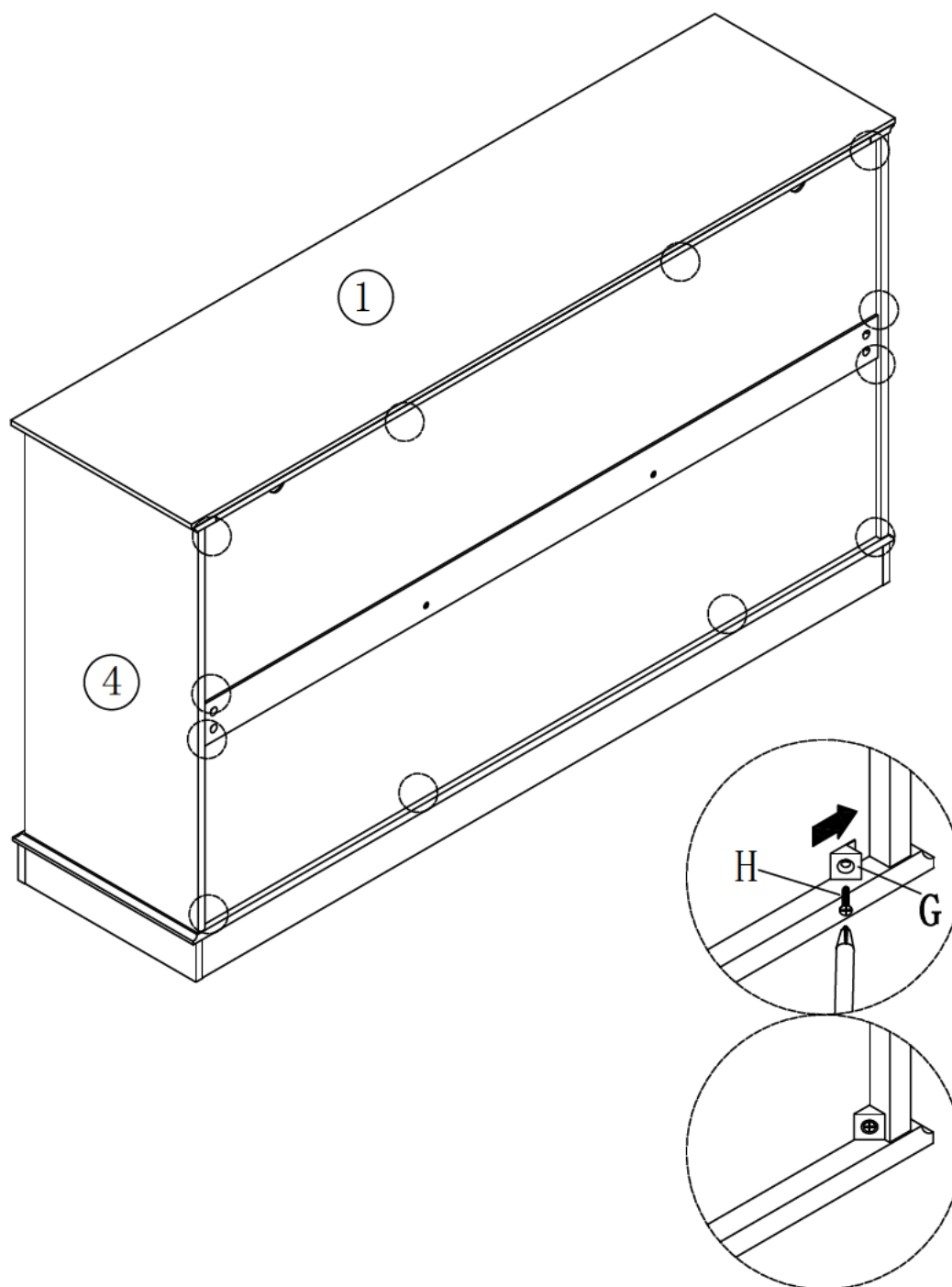
	A x 8pcs
	L x 2pcs
	M x 2pcs

STEP 18



	B x 8pcs
	C x 8pcs

STEP 19

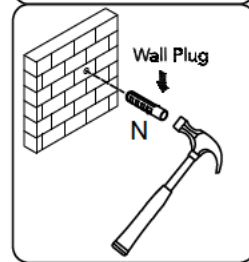
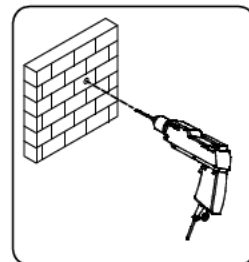
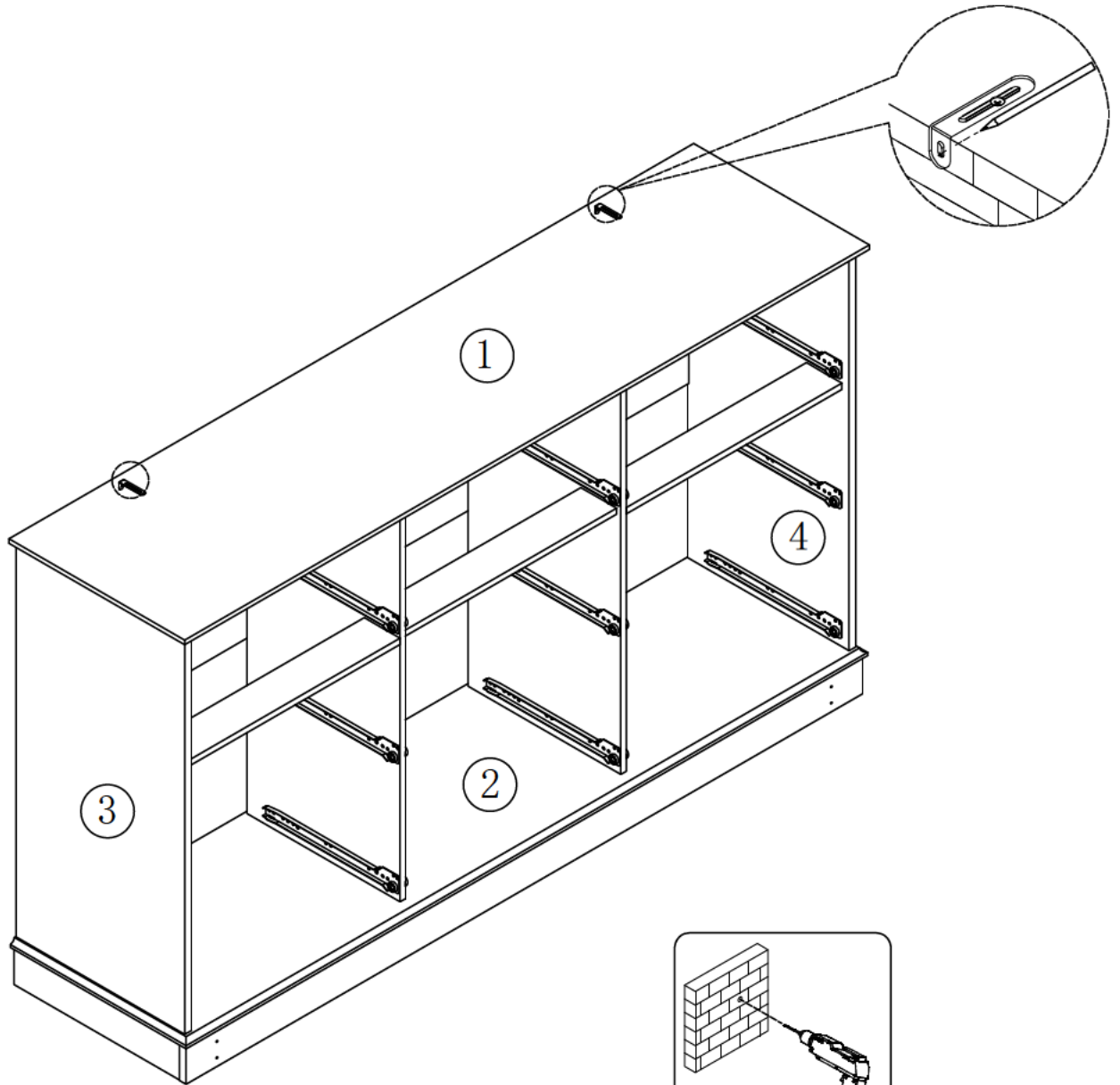


G x 12pcs



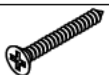
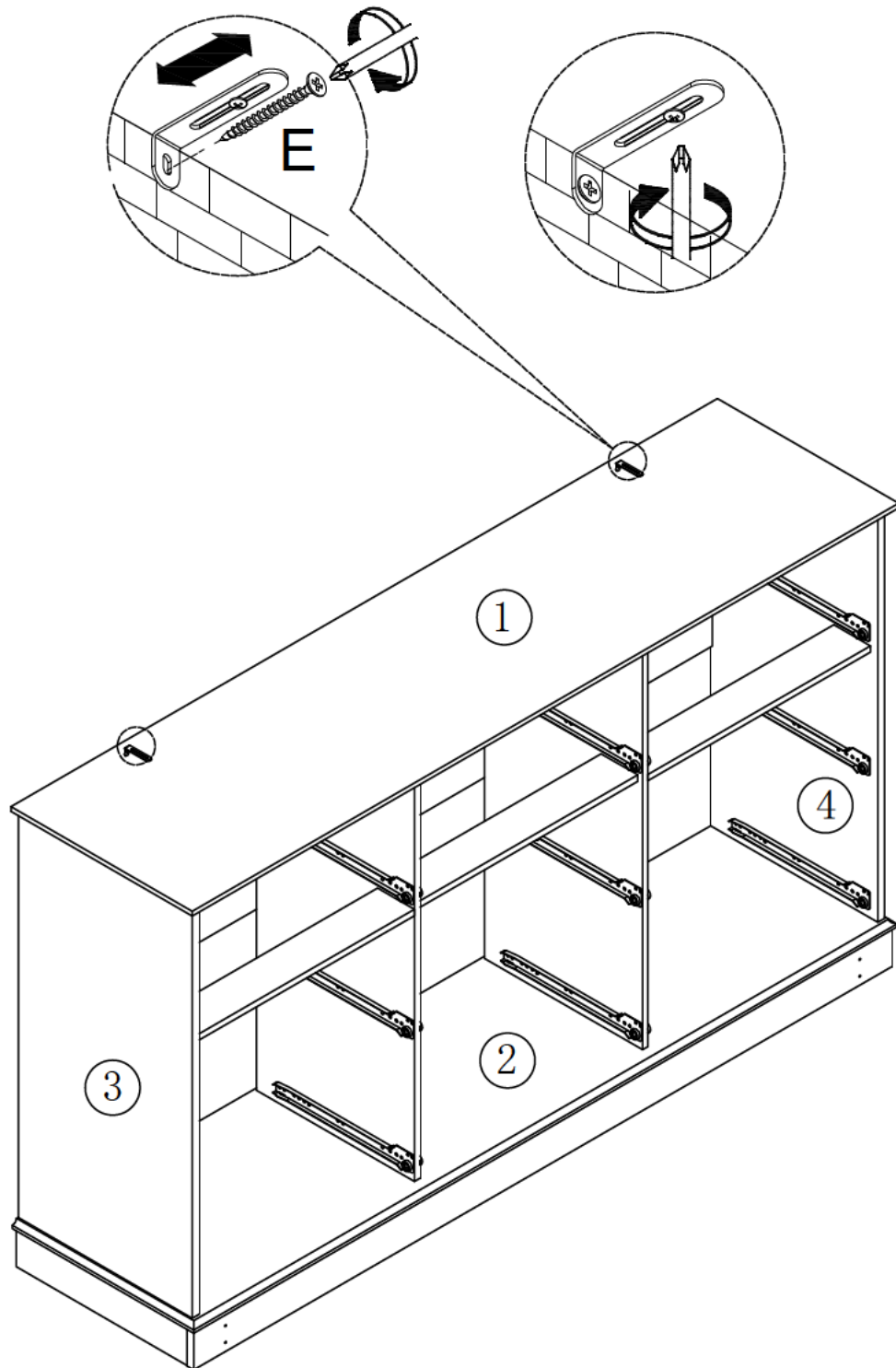
H x 12pcs

STEP 20



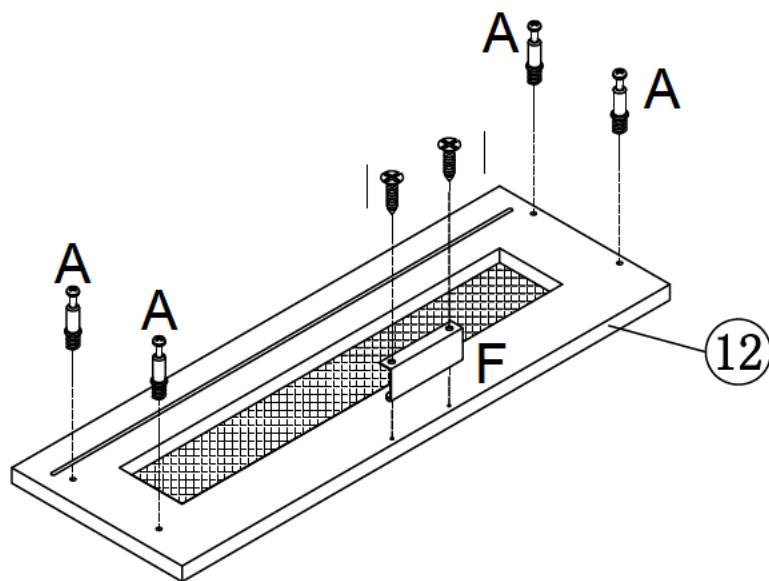
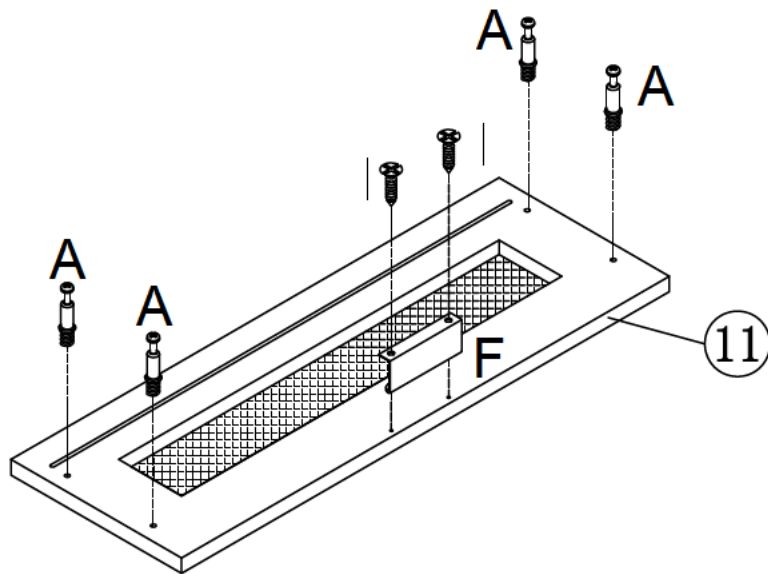
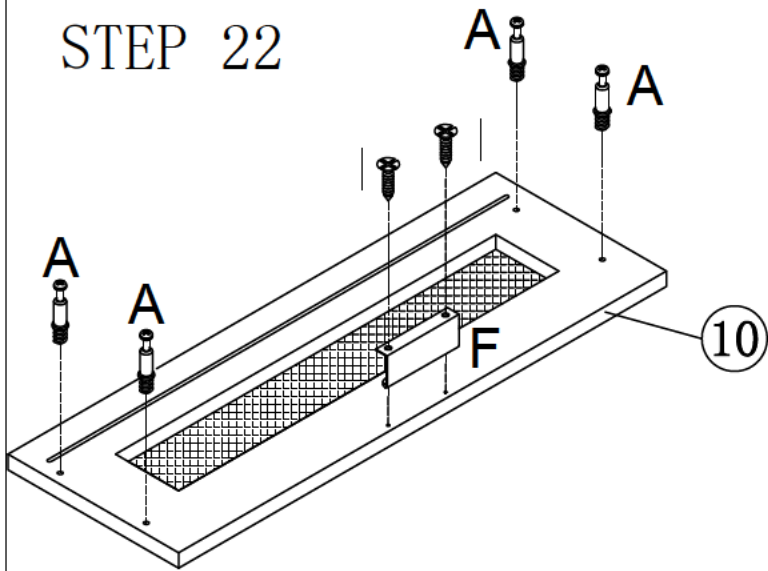
N x 2pcs


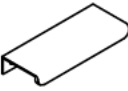
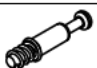
STEP 21



E x 2pcs

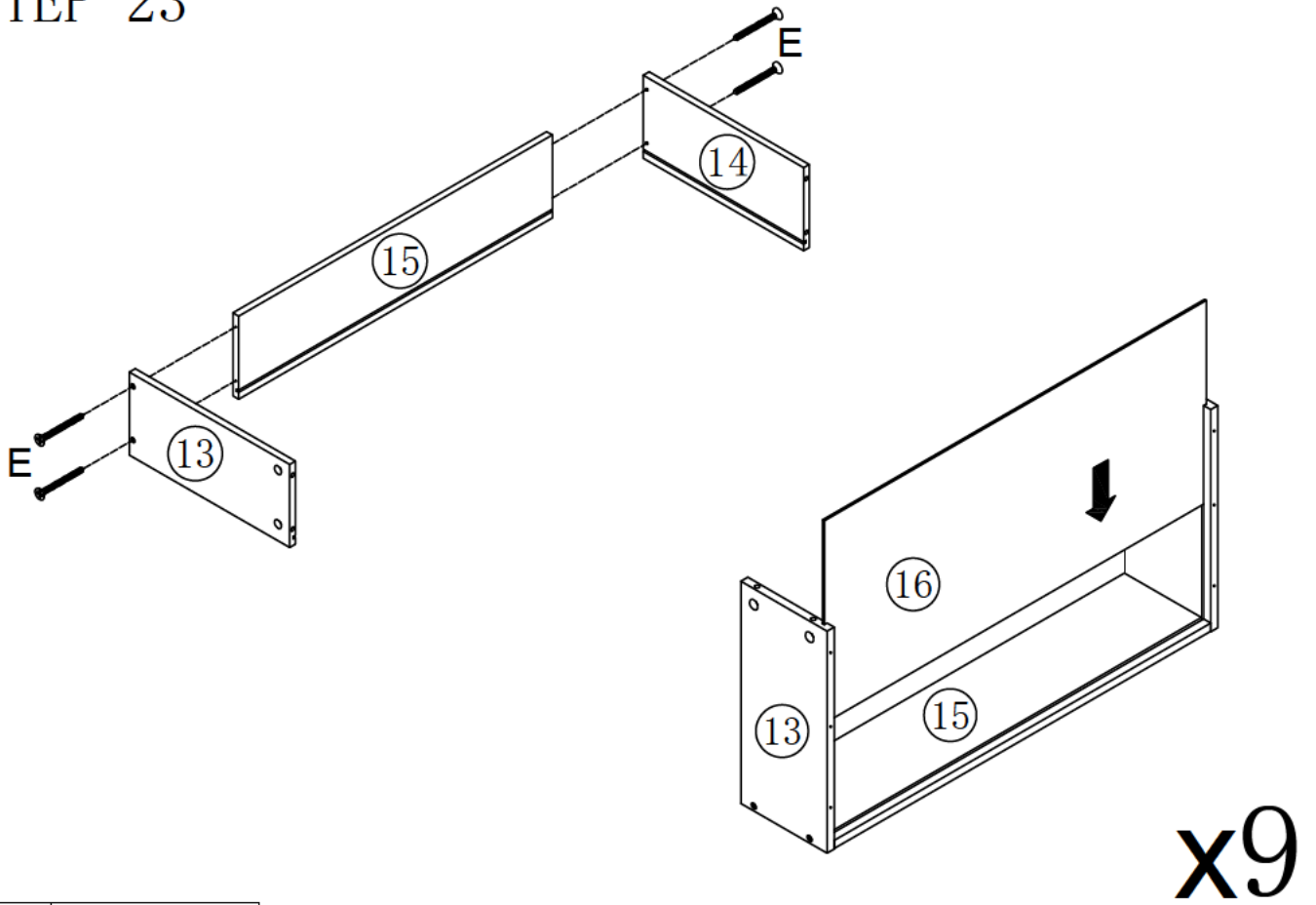
STEP 22



	x 18pcs
	F x 9pcs
	A x 36pcs

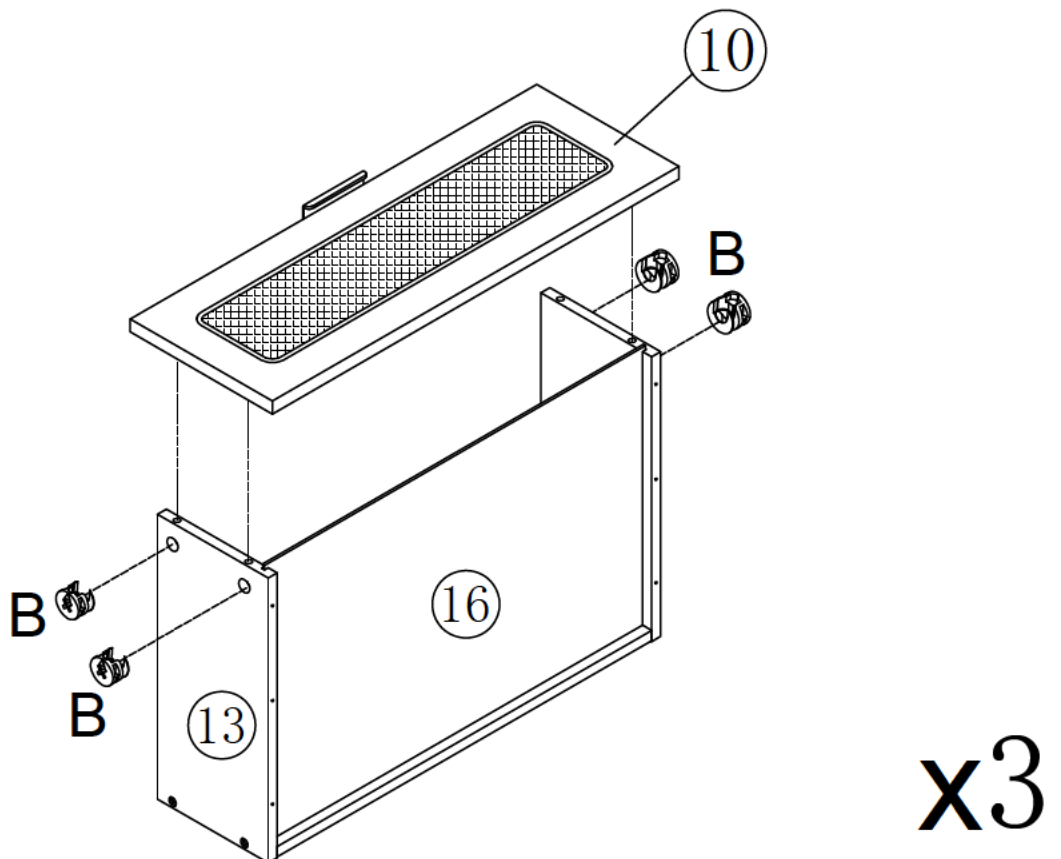
x3

STEP 23



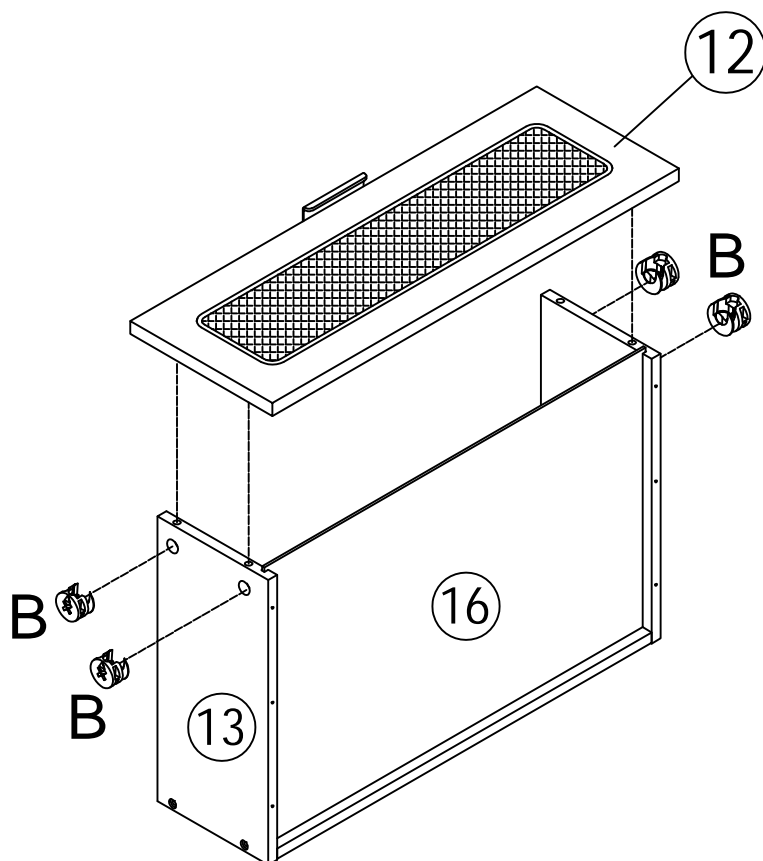
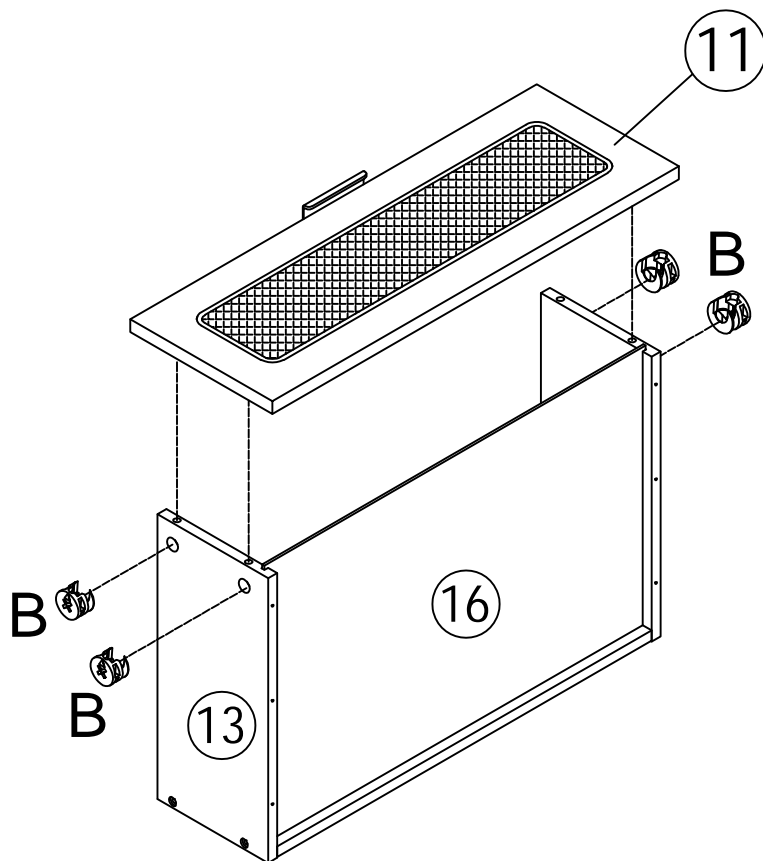
E x 36pcs

STEP 24



B x 12pcs

STEP 25

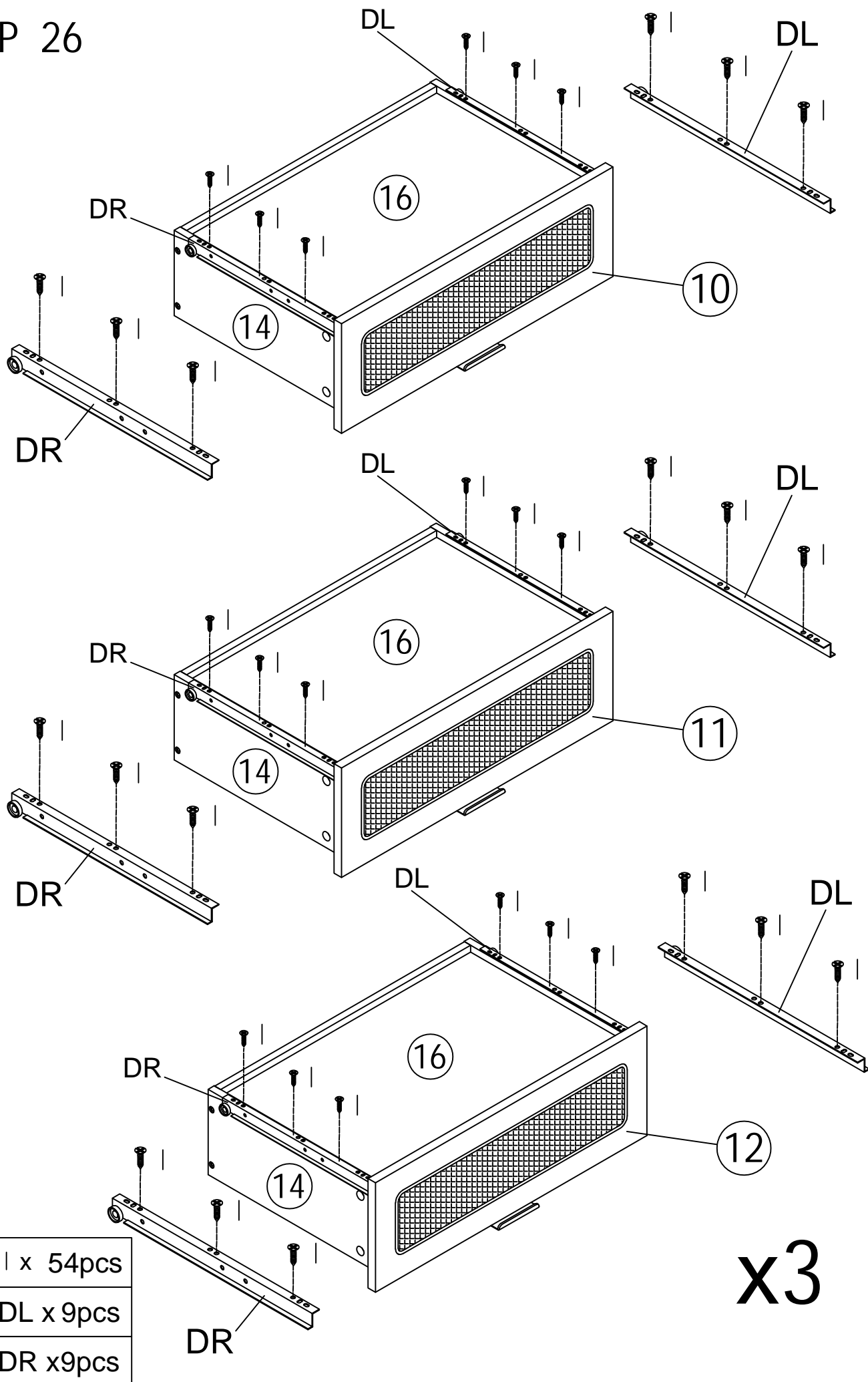





x3



B x 24pcs

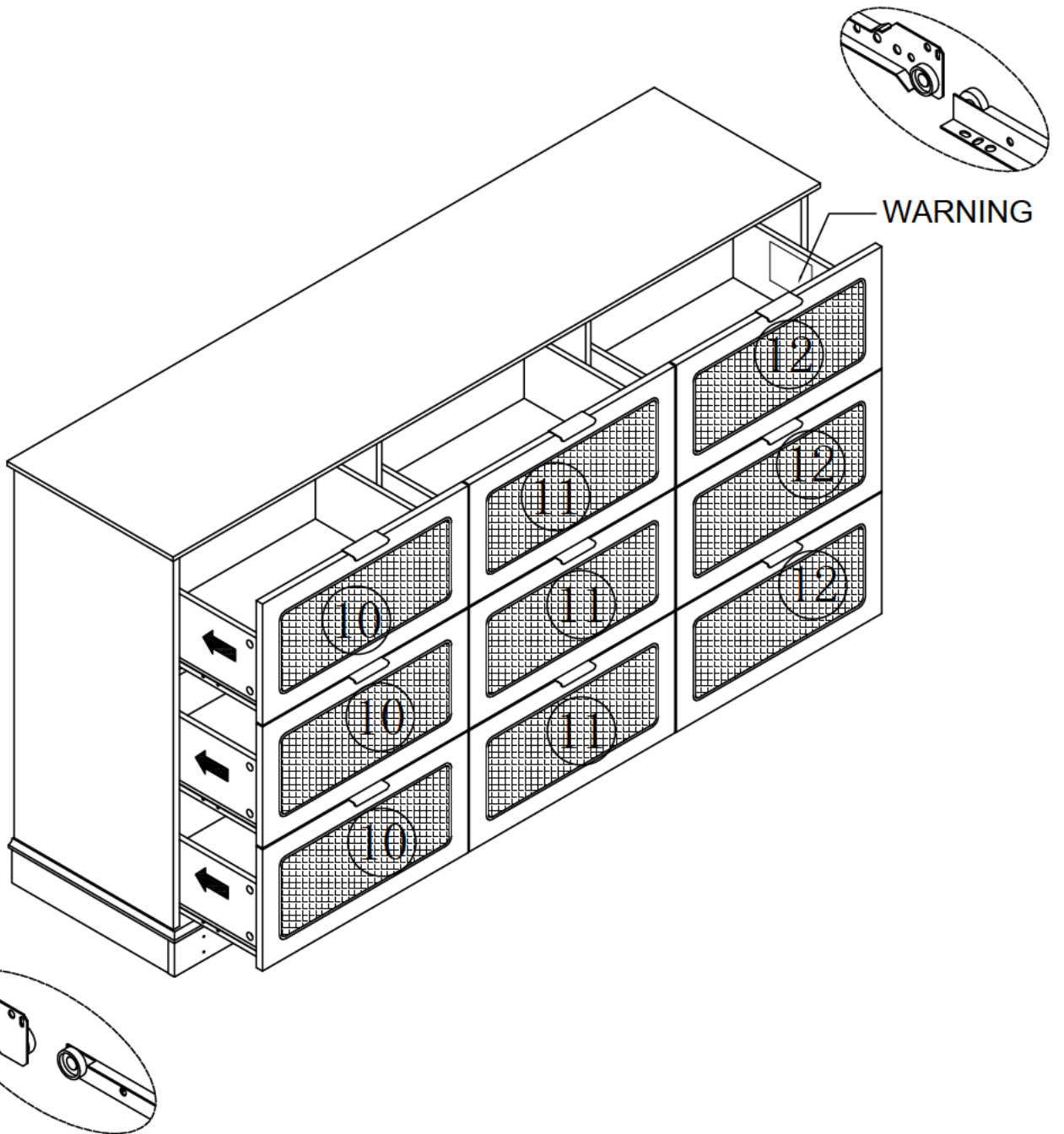
STEP 26



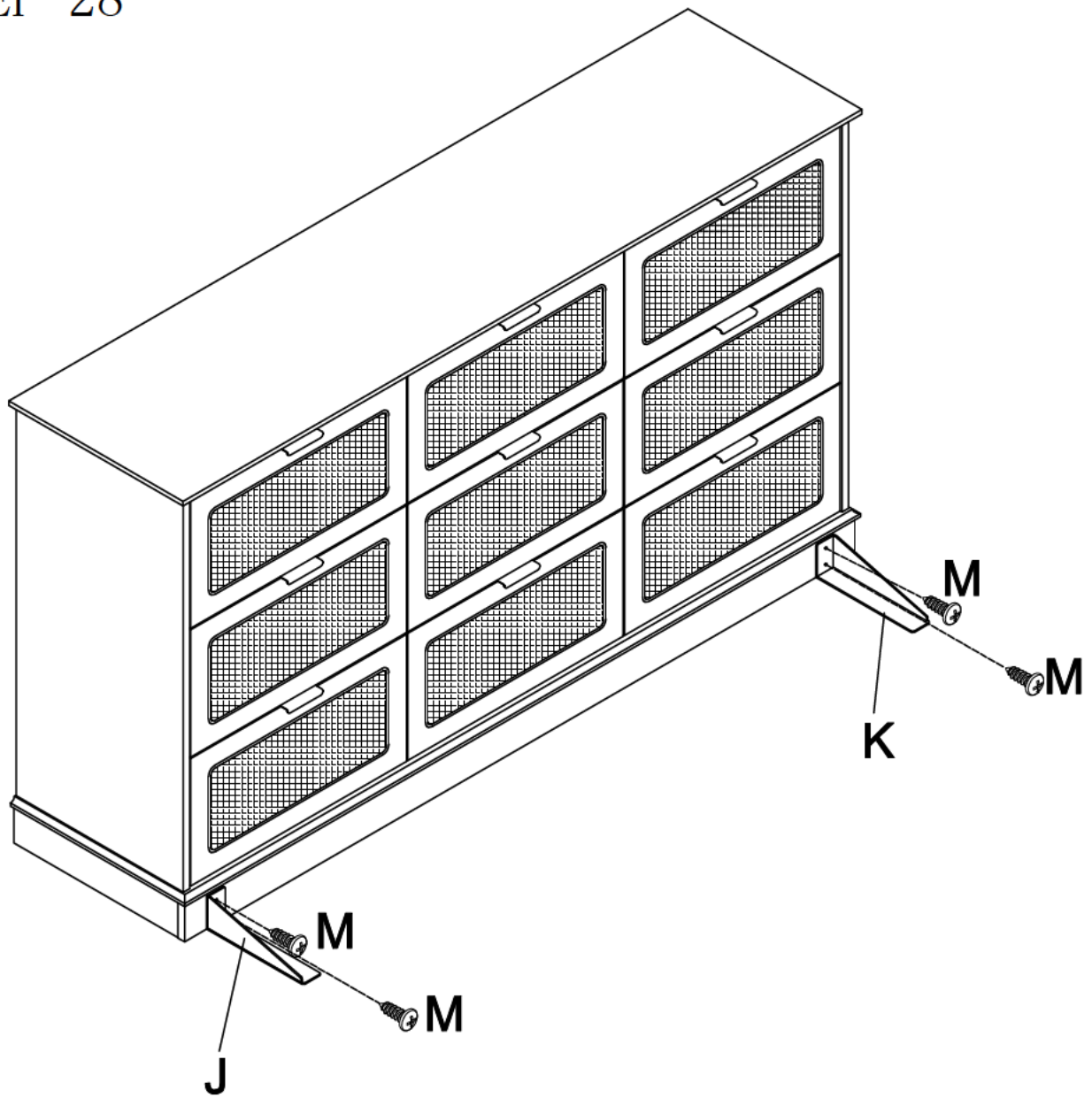
	I x 54pcs
	DL x 9pcs
	DR x 9pcs

x3

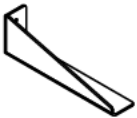
STEP 27



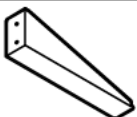
STEP 28



M x 4pcs



J x 1pc



K x 1pc