

# Product Specs Sheets

Cover Page

## Features

- Complete Vanity Unit
- Vanity Available in 4 Finishes: Matte White, Natural Oak, Matte Mink and Matte Leaf
- Wall-hung design offers a clean, streamlined look
- Trendy new reeded design that brings beauty and style to the bathroom
- Two soft close drawers
- Hettich sliding system
- Includes integrated sink and vanity top in gloss white ceramic
- Sink with Faucet Hole and Overflow
- Fully assembled
- Structure and front made of engineered wood in wood finishes and high gloss lacquered
- Handle integrated in front of furniture
- Hidden hanging bracket directly assembled with great resistance and depth regulations





## Tulipa C70



## Related Items:

- WSBC 53991 | Push Waste Drain
- WSBC 53922 | Decorative Trap
- Tulipa COL01 | Bathroom Column


## Finishes:

-  Matte White
-  Natural Oak
-  Matte Mink
-  Matte Leaf

## SKU# | Options:

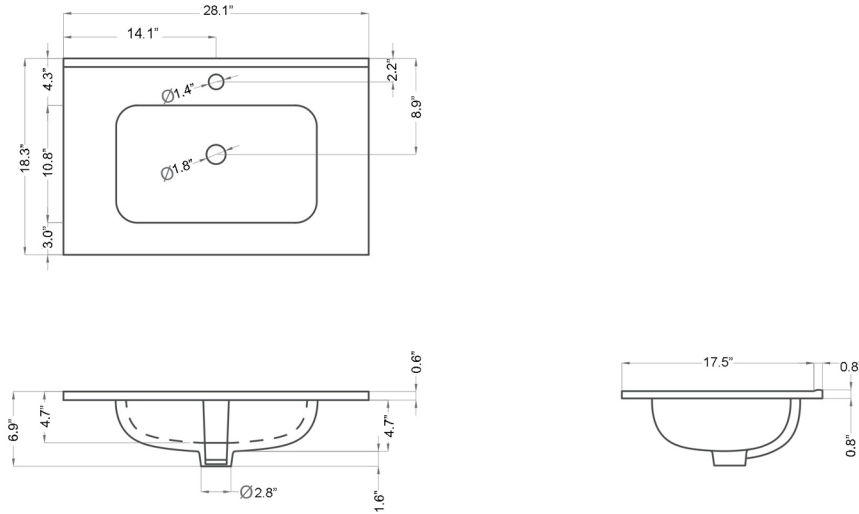
- Tulipa C70.100 WM | Matte White
- Tulipa C70.100 NO | Natural Oak
- Tulipa C70.100 MIM | Matte Mink
- Tulipa C70.100 LM | Matte Leaf

\* WS Bath Collections reserve the right to make revisions without notice to product specifications, dimensions, or information.

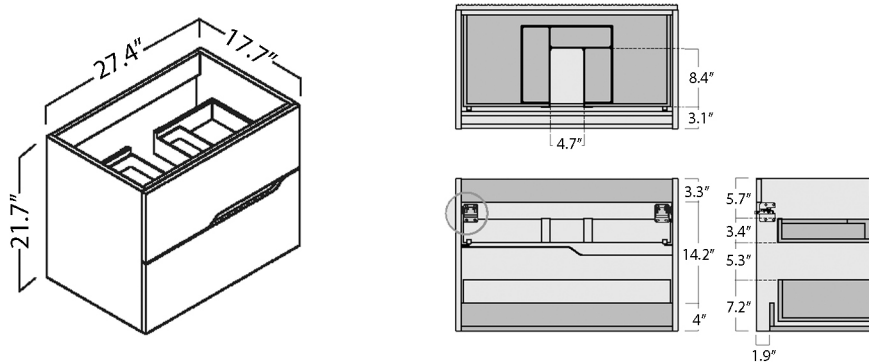
<b>Collection  </b> Tulipa	<b>Model  </b> Tulipa C70	<b>Dimensions Metric</b> <i>1 inch = 2.54 cm</i> <i>1 inch = 25.4 mm</i>	 1051 Lea Drive - Collegeville, PA 19426 Tel. 215 513 9400 - Fax 610 831 0215 <a href="http://www.ws bathcollections.com">www.ws bathcollections.com</a> - <a href="mailto:info@ws bathcollections.com">info@ws bathcollections.com</a>
-------------------------------	------------------------------	--	---

Tulipa C70

Sink




Base Unit



Technical information



\* WS Bath Collections reserve the right to make revisions without notice to product specifications, dimensions, or information.

<p><b>Collection  </b> Tulipa</p>	<p><b>Model  </b> Tulipa C70</p>	<p>Dimensions Metric 1 inch = 2.54 cm 1 inch = 25.4 mm</p>	 <p>1051 Lea Drive - Collegeville, PA 19426 Tel. 215 513 9400 - Fax 610 831 0215 <a href="http://www.ws bathcollections.com">www.ws bathcollections.com</a> - <a href="mailto:info@ws bathcollectins.com">info@ws bathcollectins.com</a></p>
---------------------------------------	--------------------------------------	--	---

# Product Specs Sheets

We recommend the following drains, traps, and hardware with your fixture:  
Drains & Traps as shown below are compatible together.

## TRAPS



**WSBC 53922**  
*Our best seller*

- Polished Chrome  
WSBC 53922.29
- Glossy White  
WSBC 53922.09
- Matte Black  
WSBC 53922.22
- Matte White  
WSBC 53922.26
- Other options:  
Please visit our website



**WSBC 53925**

- Polished Chrome  
WSBC 53925.29



**WSBC 53921**  
*Space saving*

- Polished Chrome  
WSBC 53921.29
- Glossy White  
WSBC 53921.09
- Matte Black  
WSBC 53921.22
- Matte White  
WSBC 53921.26
- Other options:  
Please visit our website

## DRAINS



**WSBC 00076**  
*Our best seller*  
Push waste drain (click clack)  
*Universal*  
*Works with sinks with or without overflow*

- Polished Chrome  
WSBC 00076.29
- Glossy White  
WSBC 00076.09
- Matte Black  
WSBC 00076.22
- Matte White  
WSBC 00076.26
- Glossy Black  
WSBC 00076.18
- Other options:  
Please visit our website



**WSBC 53991**  
*Our best seller*  
Push waste drain (click clack)  
*With overflow*  
*Works with sinks with overflow*

- Polished Chrome  
WSBC 53991.29
- Glossy White  
WSBC 53991.09
- Matte Black  
WSBC 53991.22
- Matte White  
WSBC 53991.26
- Glossy Black  
WSBC 53991.18
- Other options:  
Please visit our website

**Other Drain Options Available:**  
- Always open/grid drain  
- Drains with ceramic cover

## MOUNTING HARDWARE

### Wall Mounted Sinks

**Bolts and nuts**  
(Included)



### Vessel - Countertop Sinks

**Silicon**

Available at hardware stores



**Separation Rings**

To be used with vessel sinks (optional)

WSBC 5398



### Under Mount Sinks

**Under Mount sink clips**

Available at hardware stores



\* WS Bath Collections reserve the right to make revisions without notice to product specifications, dimensions, or information.

<b>Collection</b>   Drains & Traps	<b>Model</b>   Drains & Traps	Dimensions Metric <i>1 inch = 2.54 cm</i> <i>1 inch = 25.4 mm</i>	<p style="font-size: small; margin-top: 10px;">1051 Lea Drive - Collegeville, PA 19426 Tel. 215 513 9400 - Fax 610 831 0215 <a href="http://www.ws bathcollections.com">www.ws bathcollections.com</a> - <a href="mailto:info@ws bathcollections.com">info@ws bathcollections.com</a></p>
---------------------------------------	----------------------------------	---	---