

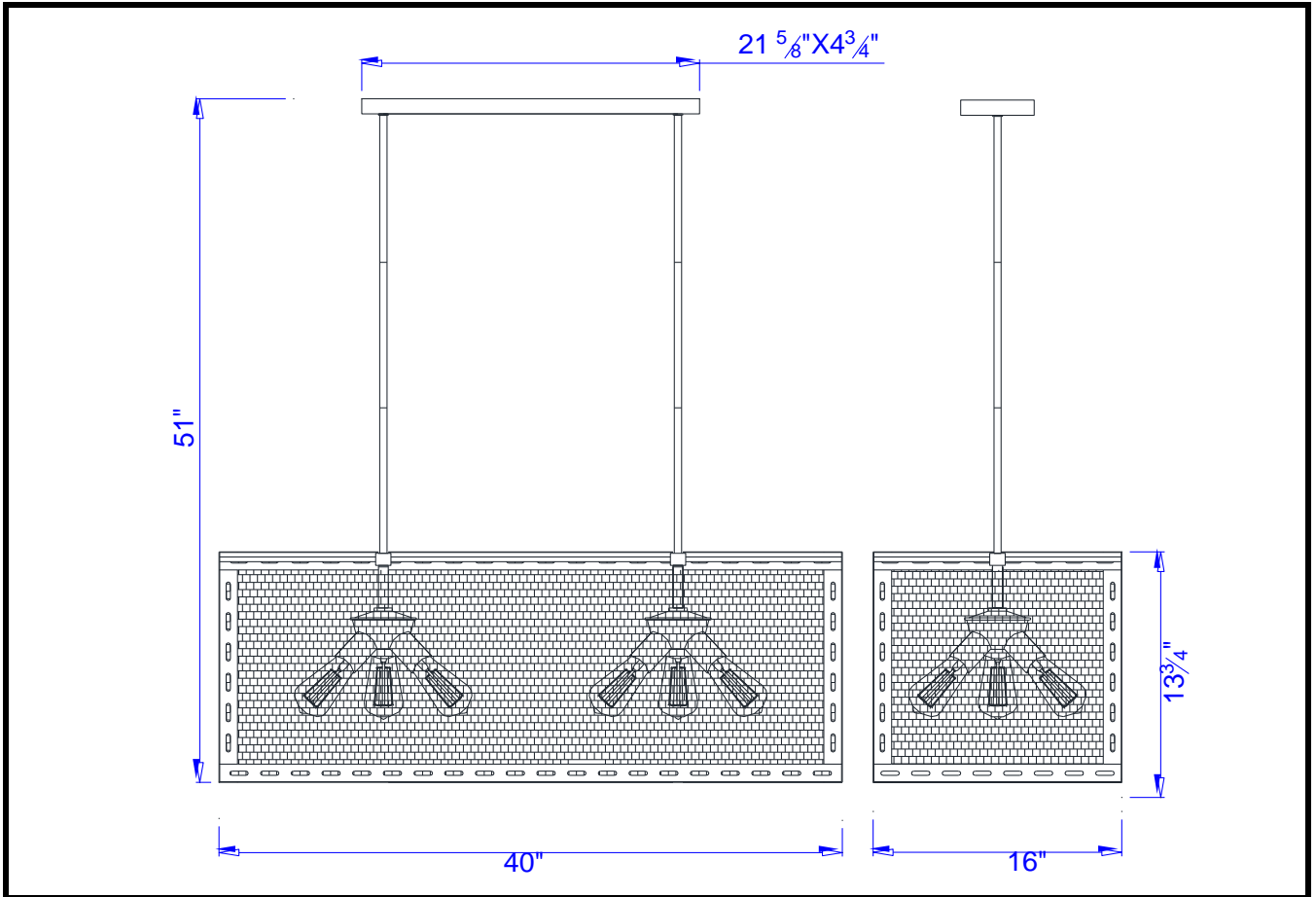
Type: \_\_\_\_\_

Project: \_\_\_\_\_

Catalog No.: \_\_\_\_\_

Lamp/Wattage: \_\_\_\_\_

Drawing:



**Description:** 60W x 6 metal mesh chandelier

**Material:** Metal

**Finish :** Iron

**Height:** 13 3/4"

**Width:** 40"X16"

**Wattage :** 60WX6

**Socket :** Medium Base (E26)

**Bulb:** Incandescent,CFL

**Chain Length:**

**Wire Length:**

**Wire Color:**

**Shade No:**

**Material:** Metal

**Shade size:** W40"XL16"XH16"

**Certificate :**

