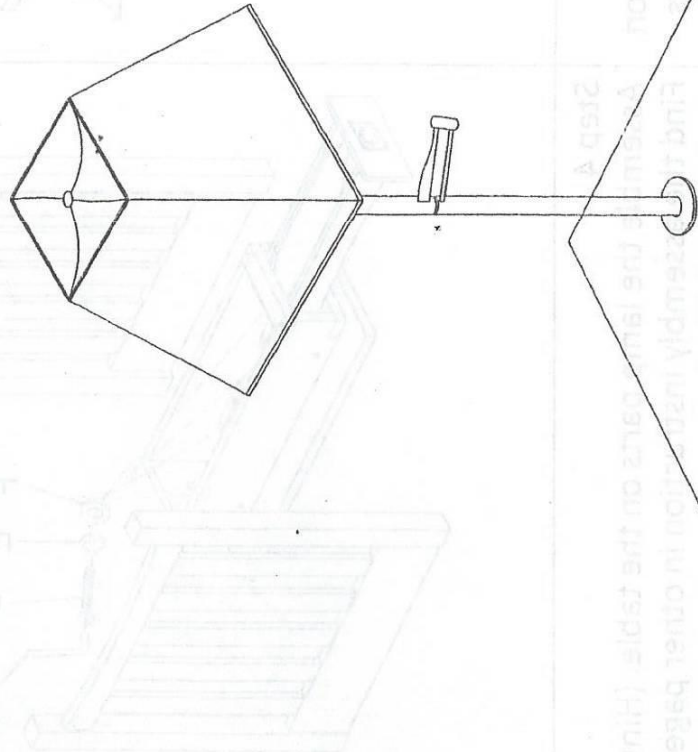
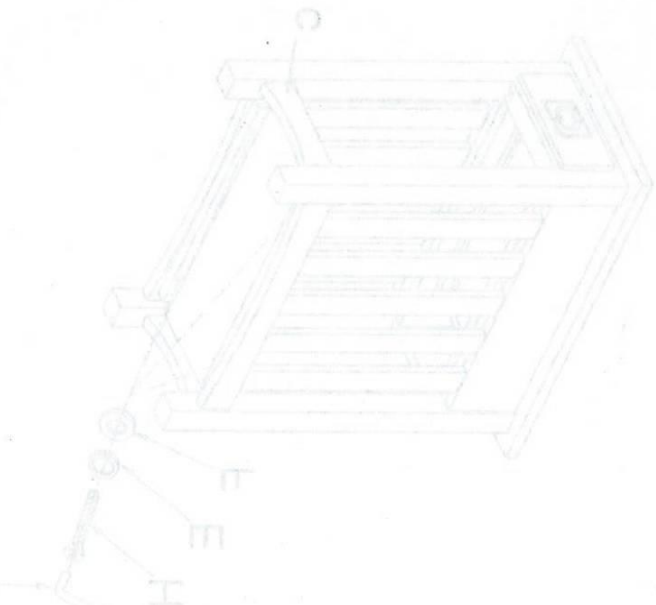


Assembly Instructions

Side Table

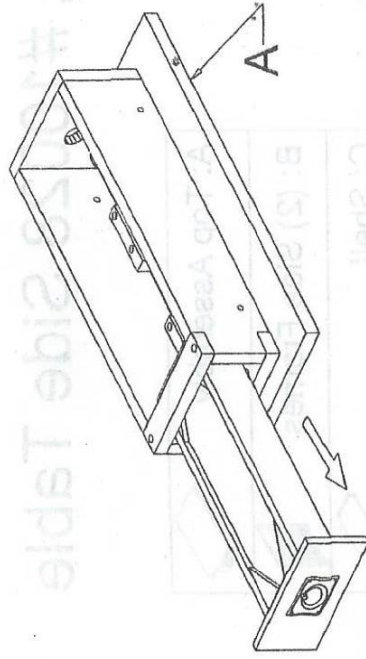


A: Top Assembly	
B: (2) Side Frames	
C: Shelf	
D: (4) Long Bolts	
E: (8) Lock Washers	
F: (8) Flat Washers	
G: Allen Wrench	
H: (4) Short Bolts	
I: Cap	
J: Wrench	



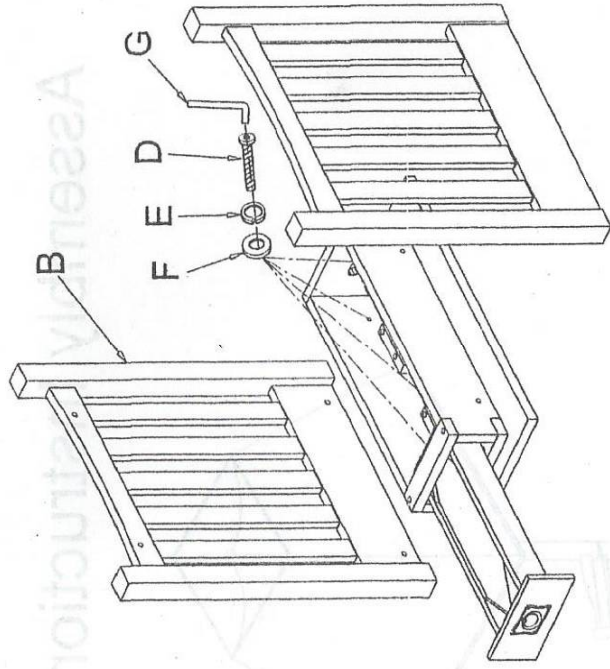
Step 1

Place the top assembly (A) upside down on a soft surface and then open the drawer.



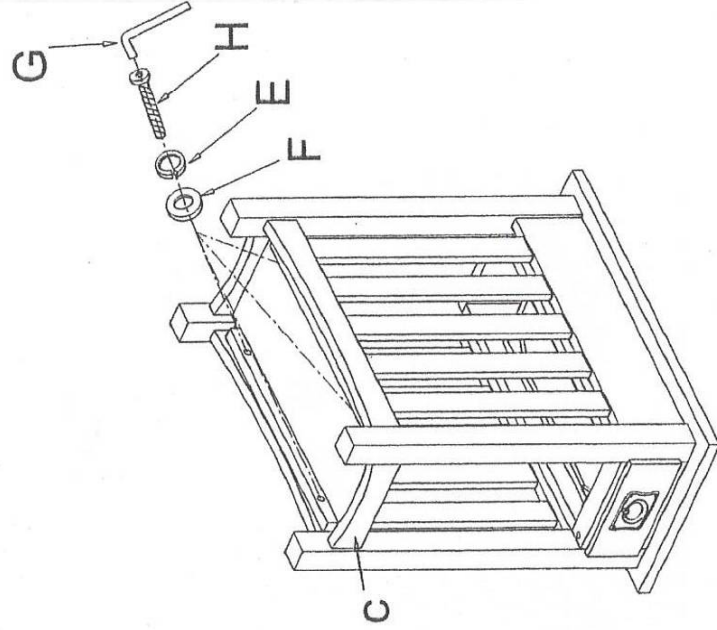
Step 2

Align the threaded holes in the legs with the holes on the aprons and secure in place with the long bolts (D), flat washers (F) and lock washers (E) using the Allen wrench (G).



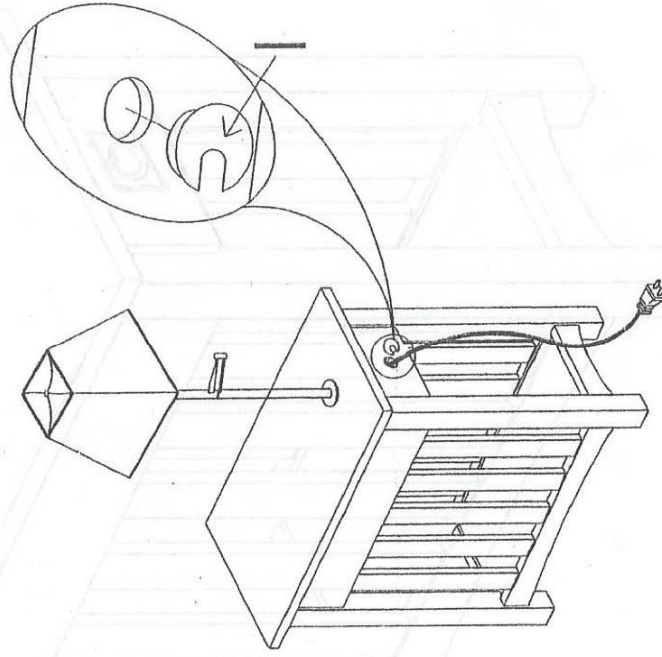
Step 3

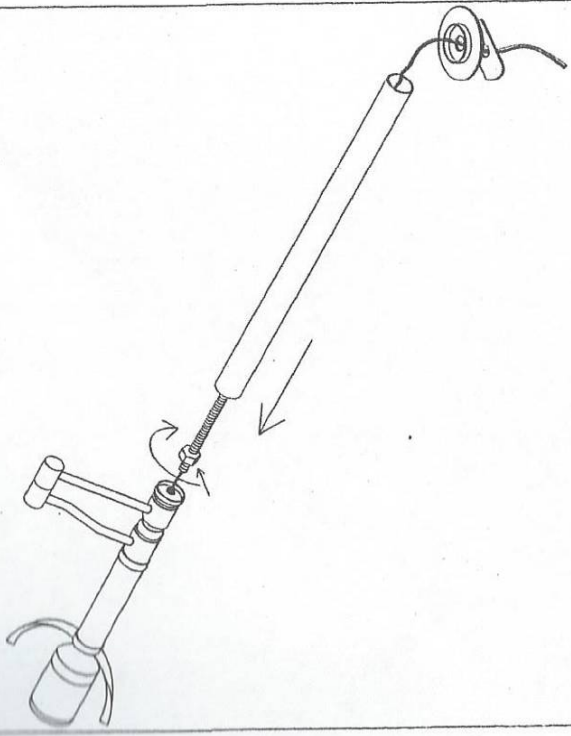
Attach the shelf to the side panel by the short bolts (H), flat washers (F), and lock washers (E) using the Allen wrench (G).



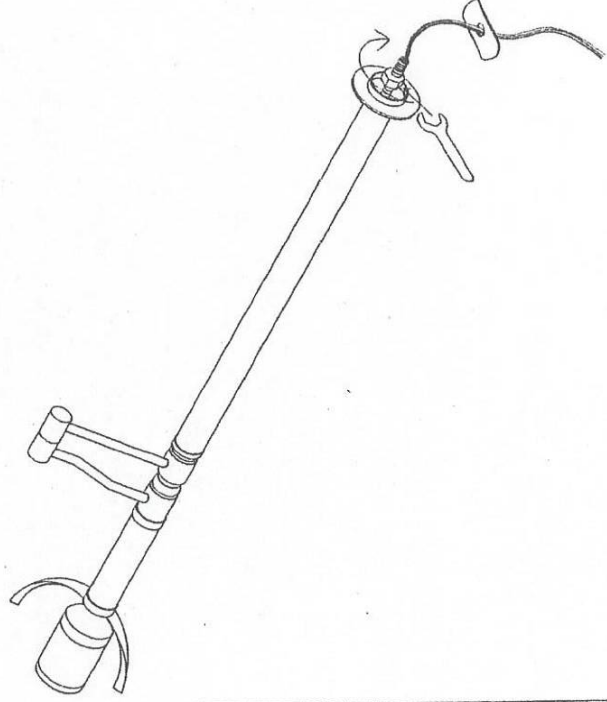
Step 4

Assemble the lamp parts on the table. (Hint: Find the assembly instruction in other page) Then put the cap on.





Step 3



Step 4

