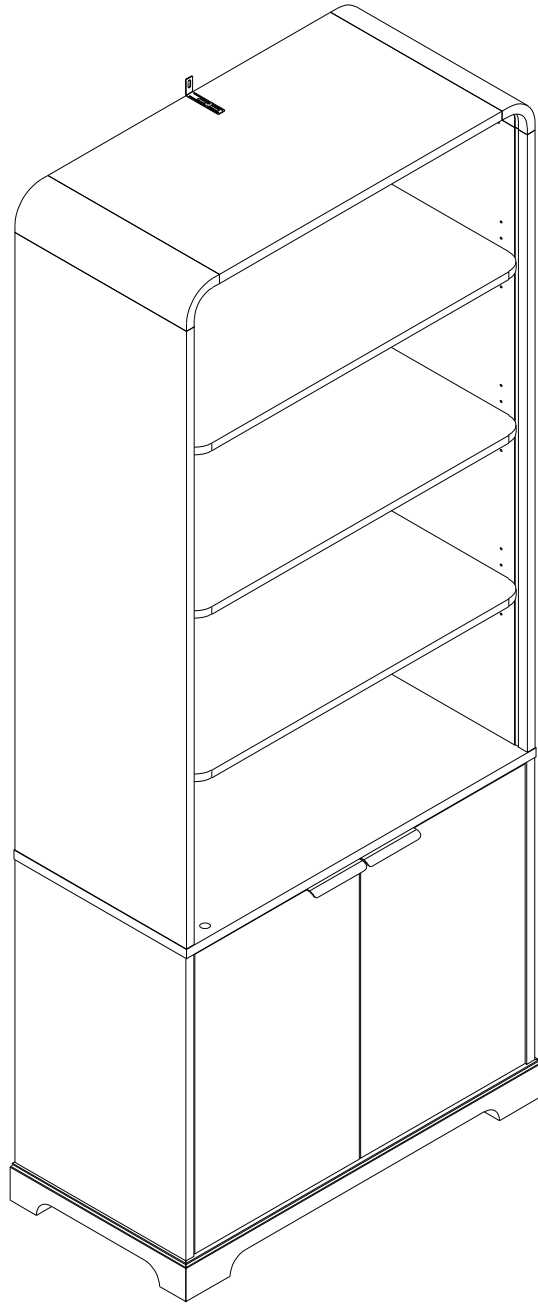


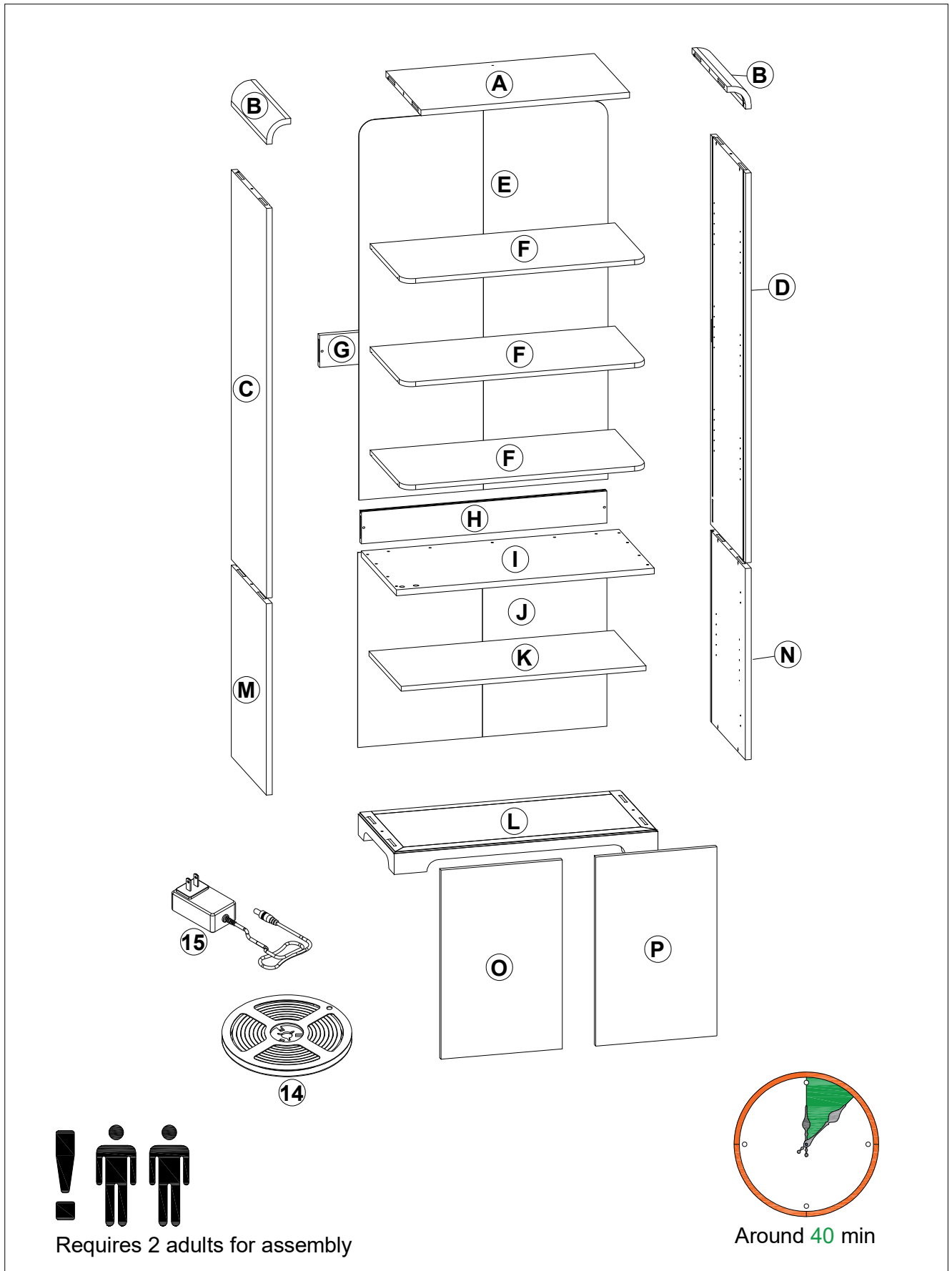
# Owner Manual



Thank you for purchasing the Bookcase.

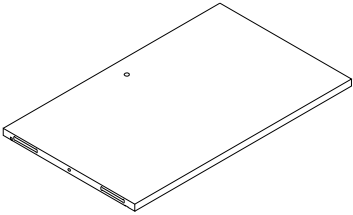
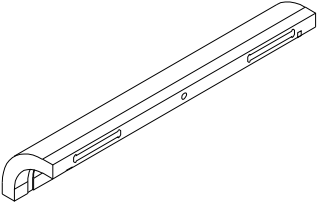
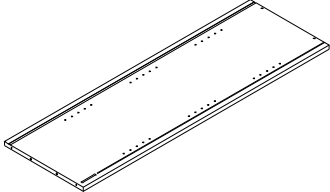
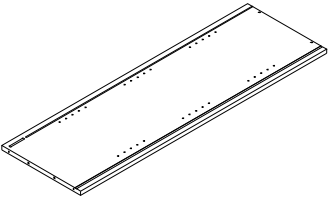
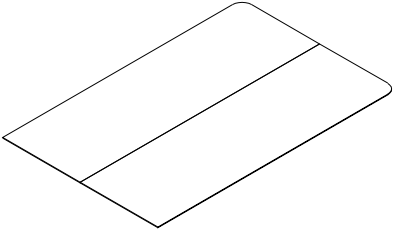
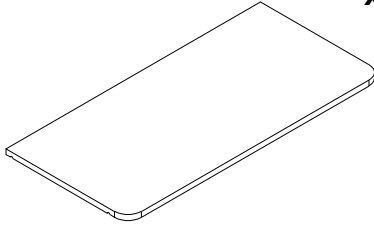
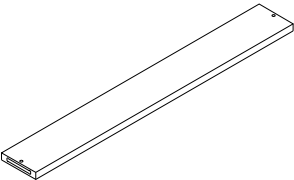
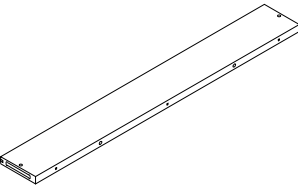
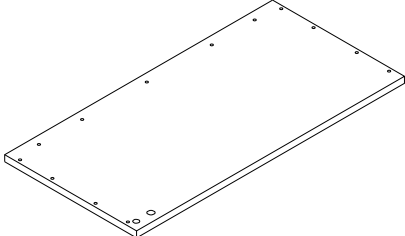
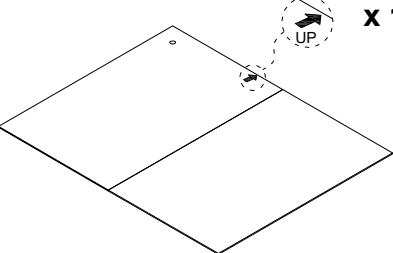
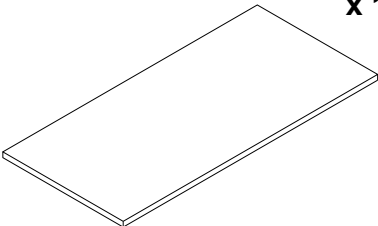
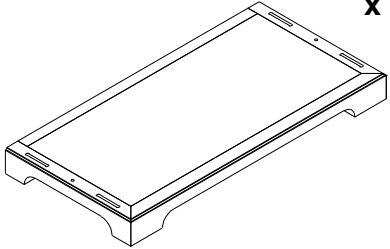
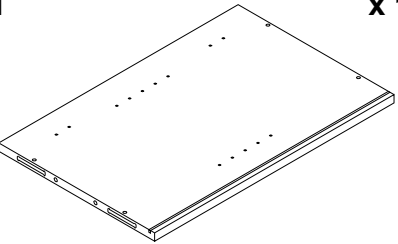
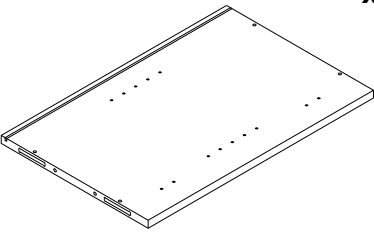
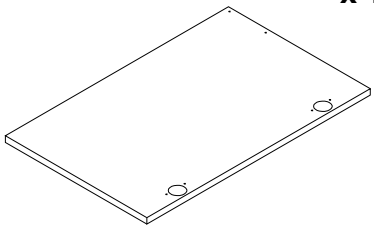
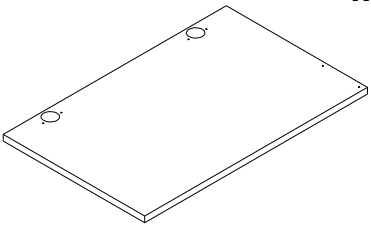
Please read the instructions and warnings carefully before use, to ensure safe and satisfactory operation of this product. We are committed to making great products possible. From our in-house Design Team, to our Buyers, we work together to bring great designs to life. Our expert Product Technologists work collaboratively with our buyers and suppliers to assure the legality, safety and quality of the product we sell. We are all committed to designing and developing products to the highest industry standards. We hope you are happy with your product and welcome any feedback or comments you may have.

# Exploded Diagram

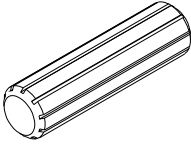
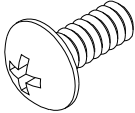
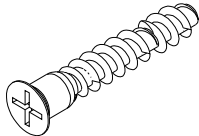
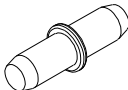
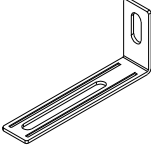
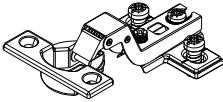
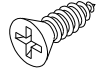
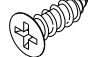
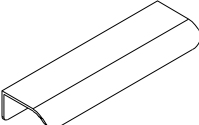
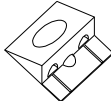
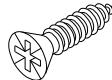
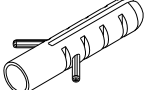
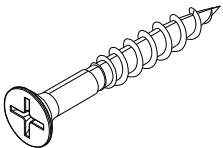

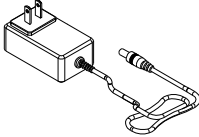
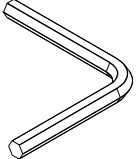
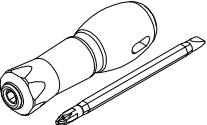


Be sure to check all packing material carefully for small parts, which may have come loose inside the carton during shipment.

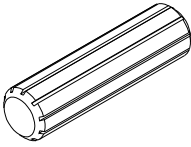
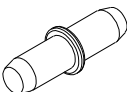
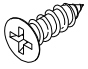
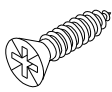
# PARTS LIST

<p><b>A</b> <span style="float: right;"><b>x 1</b></span></p>  <p>Top Panel</p>	<p><b>B</b> <span style="float: right;"><b>x 2</b></span></p>  <p>Top Connecting Panel</p>	<p><b>C</b> <span style="float: right;"><b>x 1</b></span></p>  <p>Upper Left Side Panel</p>
<p><b>D</b> <span style="float: right;"><b>x 1</b></span></p>  <p>Upper Right Side Panel</p>	<p><b>E</b> <span style="float: right;"><b>x 1</b></span></p>  <p>Upper Back Panel</p>	<p><b>F</b> <span style="float: right;"><b>x 3</b></span></p>  <p>Adjustable Shelf Panel</p>
<p><b>G</b> <span style="float: right;"><b>x 1</b></span></p>  <p>Upper Back Cross Panel</p>	<p><b>H</b> <span style="float: right;"><b>x 1</b></span></p>  <p>Middle Cross Panel</p>	<p><b>I</b> <span style="float: right;"><b>x 1</b></span></p>  <p>Fixed Panel</p>
<p><b>J</b> <span style="float: right;"><b>x 1</b></span></p>  <p>Lower Back Panel</p>	<p><b>K</b> <span style="float: right;"><b>x 1</b></span></p>  <p>Adjustable Shelf Panel</p>	<p><b>L</b> <span style="float: right;"><b>x 1</b></span></p>  <p>Bottom Panel</p>
<p><b>M</b> <span style="float: right;"><b>x 1</b></span></p>  <p>Lower Left Side Panel</p>	<p><b>N</b> <span style="float: right;"><b>x 1</b></span></p>  <p>Lower Right Side Panel</p>	<p><b>O</b> <span style="float: right;"><b>x 1</b></span></p>  <p>Left Door</p>
<p><b>P</b> <span style="float: right;"><b>x 1</b></span></p>  <p>Right Door</p>		

## HARDWARE LIST

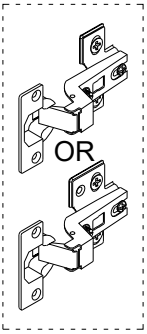
1  Wood Dowel Ø8x30mm	x 14	2  Bolt M5x14mm	x 1	3  Bolt M7x38mm	x 7	4  Shelf Support	x 16
5  Anti Tipping Hardware	x 1	6  Hinge	x 4	7  Flat Head Screw Ø3.5x14mm	x 8	8  Flat Head Screw Ø3.5x12mm	x 4
9  Handle	x 2	10  Plastic Wedge	x 10	11  Flat Head Screw Ø3.5x16mm	x 10	12  Anchor	x 1
13  Screw Ø3.5*38mm	x 1	14  LED Strip	x 1	15  Power Adapter	x 1	16  Allen Key	x 1
17  Screwdriver	x 1						

## SPARE LIST

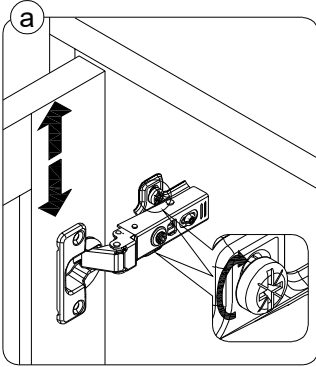
1  Wood Dowel Ø8x30mm	x 2	4  Shelf Support	x 2	8  Flat Head Screw Ø3.5x12mm	x 1	11  Flat Head Screw Ø3.5x16mm	x 1
--	-----	---	-----	---	-----	---	-----

Be sure to check all packing material carefully for small parts, which may have come loose inside the carton during shipment.

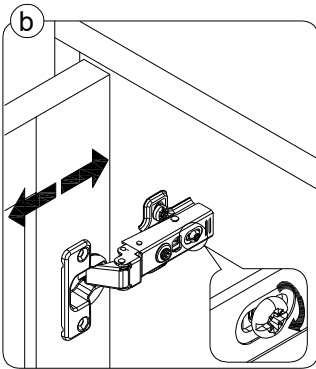
## IF HAVE THIS ACCESSORY



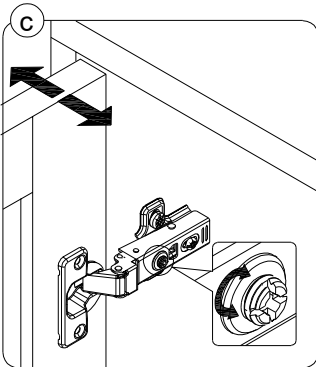
It may be necessary to adjust the hinges so that the doors align. Use the instructions below as a guide.



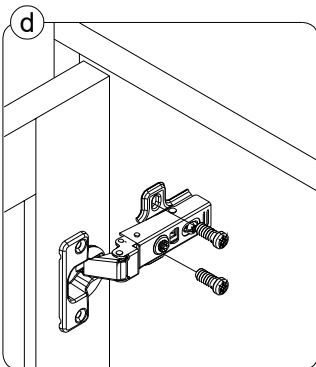
To adjust the door vertically loosen the screw as shown and move up and down as needed.



To adjust the gap from the door to the main frame turn the screw clockwise or anti-clockwise as needed.



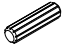

To adjust the door laterally adjust the screw as shown by turning clockwise or anti-clockwise.

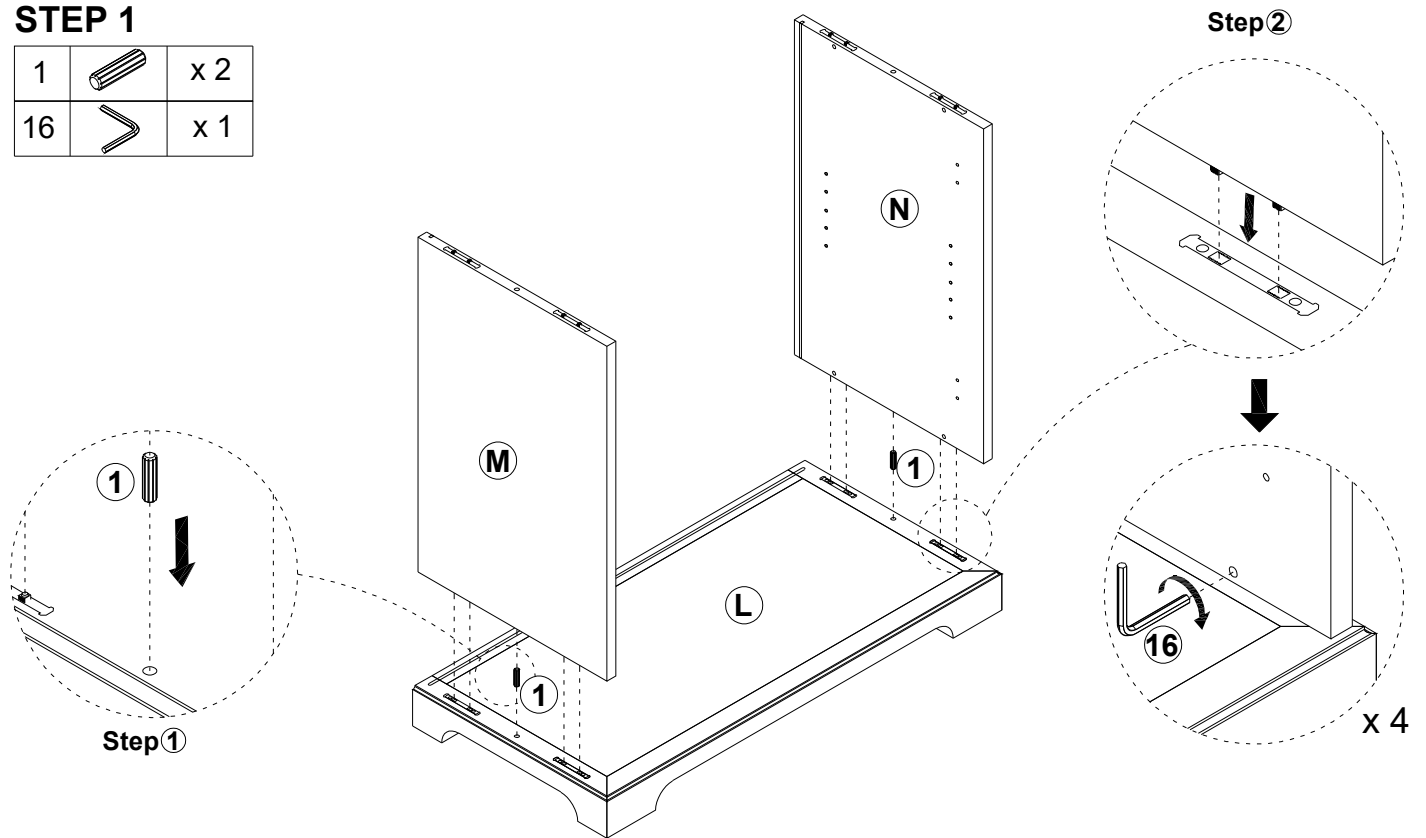


Please fix other screws.

# ASSEMBLY INSTRUCTION

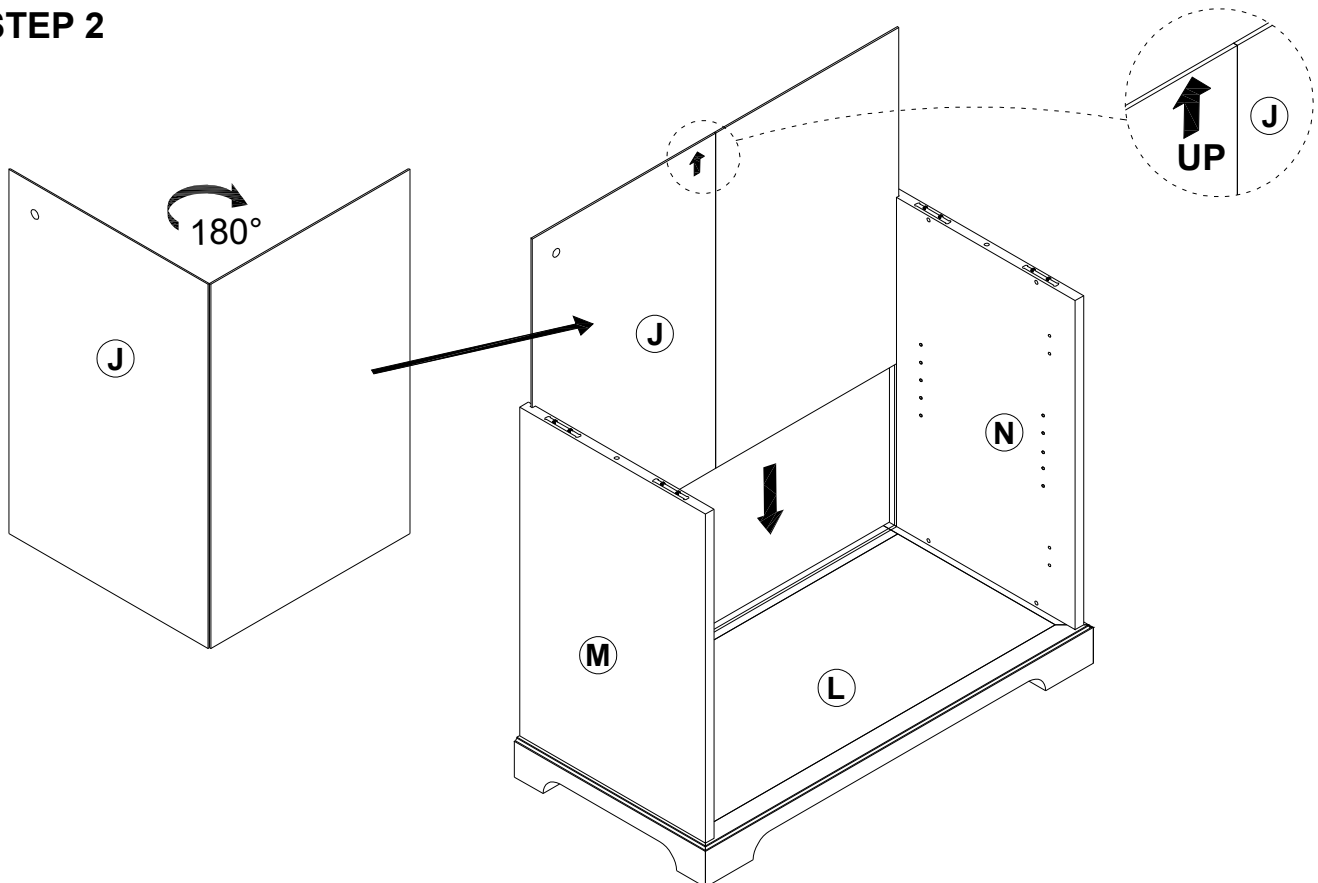
## STEP 1

1		x 2
16		x 1



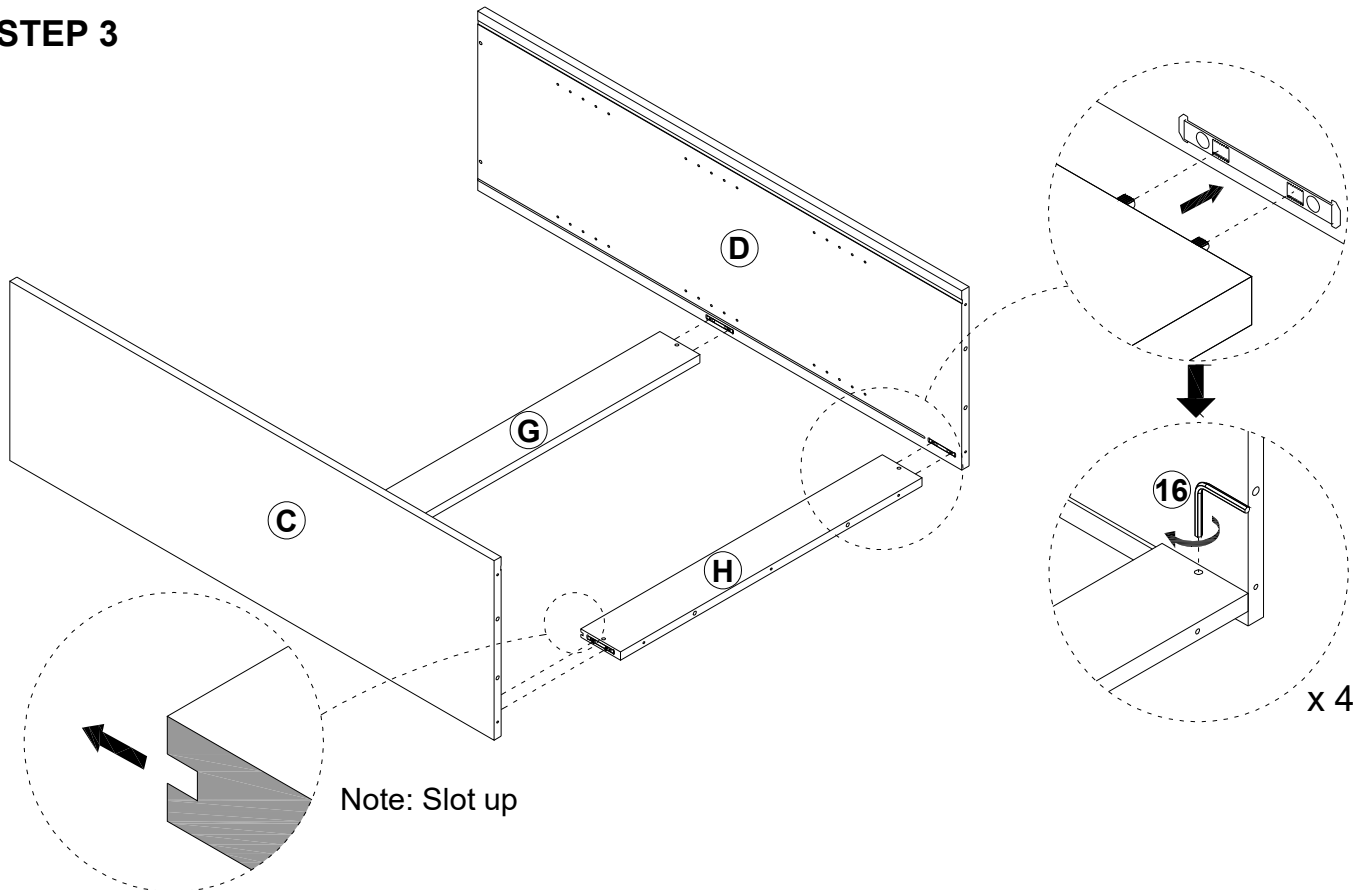
Insert wood dowel (1) into the corresponding hole of part(L). make sure all holes aligned and use allen key (16) to tighten it as show.

## STEP 2



Open the back panel (J) and insert it into the slot of the parts (M/N/L) as shown.

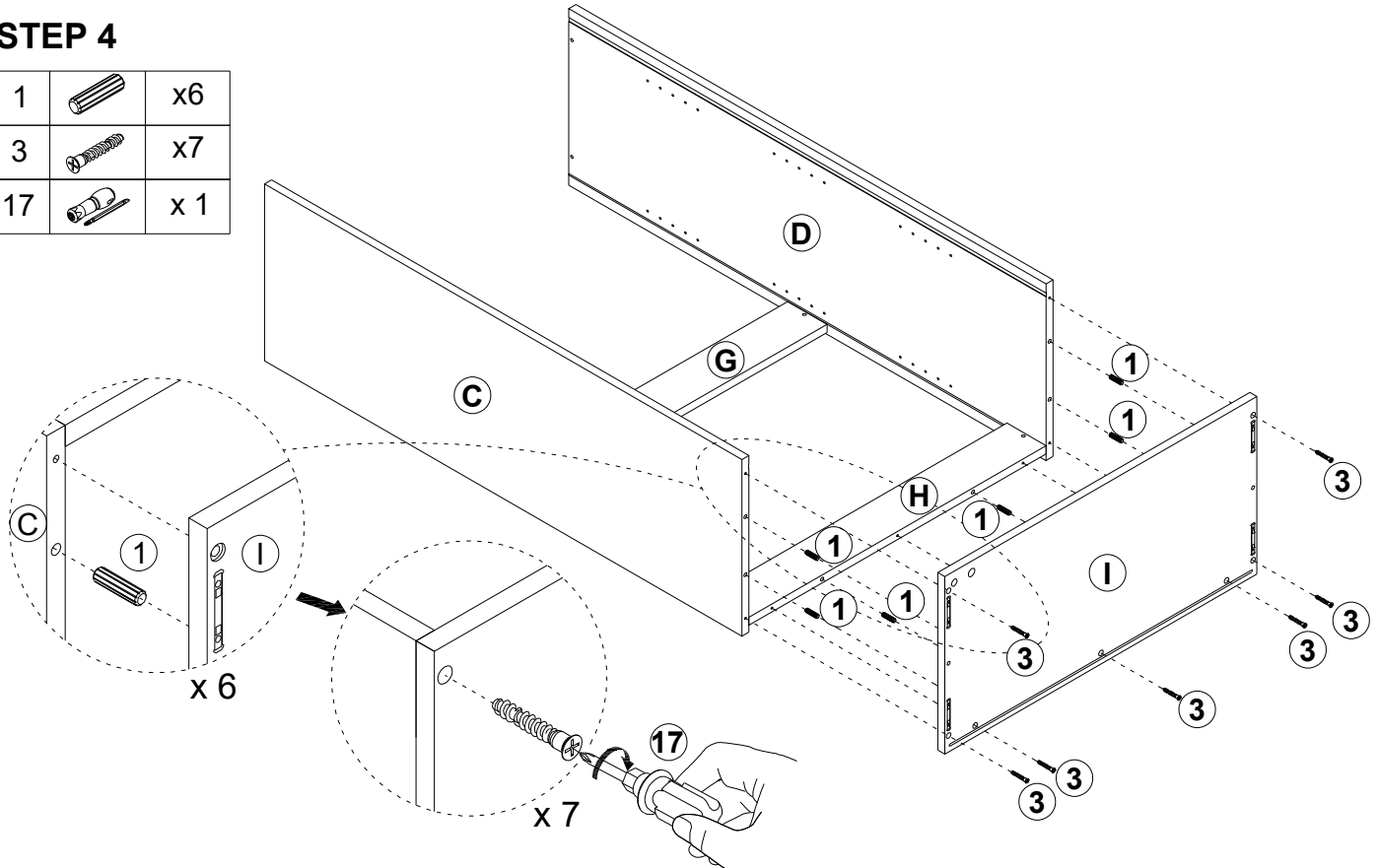
### STEP 3



Attach parts(G/H) into the corresponding hole of parts(C/D) make sure all holes aligned and use Allen key (16) to tighten it as show.

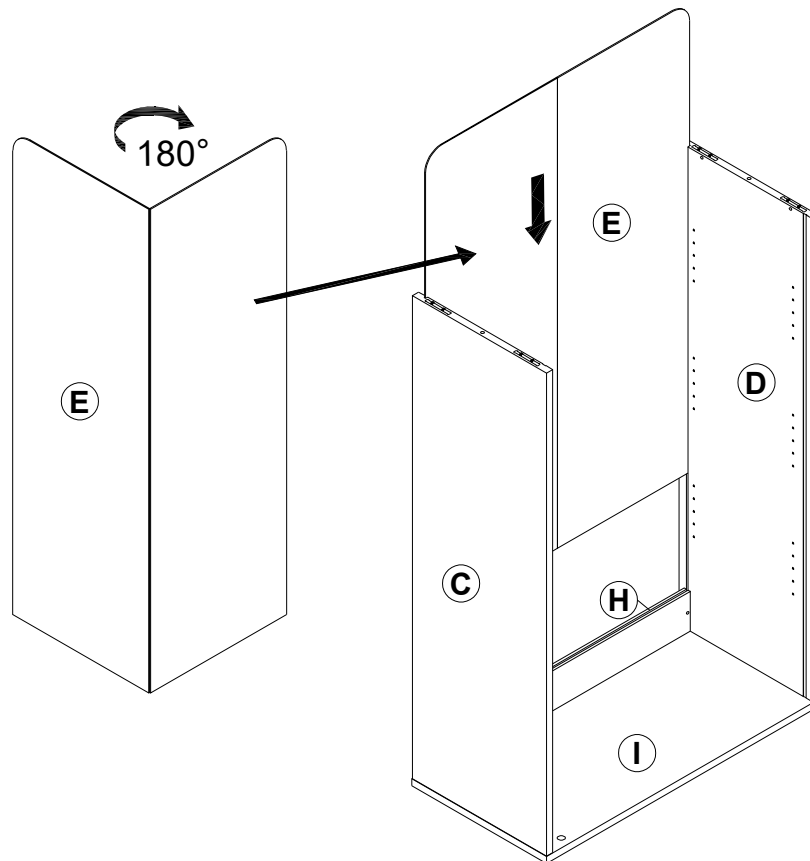
### STEP 4

1		x6
3		x7
17		x 1



1.Insert wood dowel (1)into the corresponding hole of part(C/D/H).  
2.Attach part(I) to parts(C/D/H) make sure all holes aligned with bolt (3) use screwdriver (17) to tighten it as show.

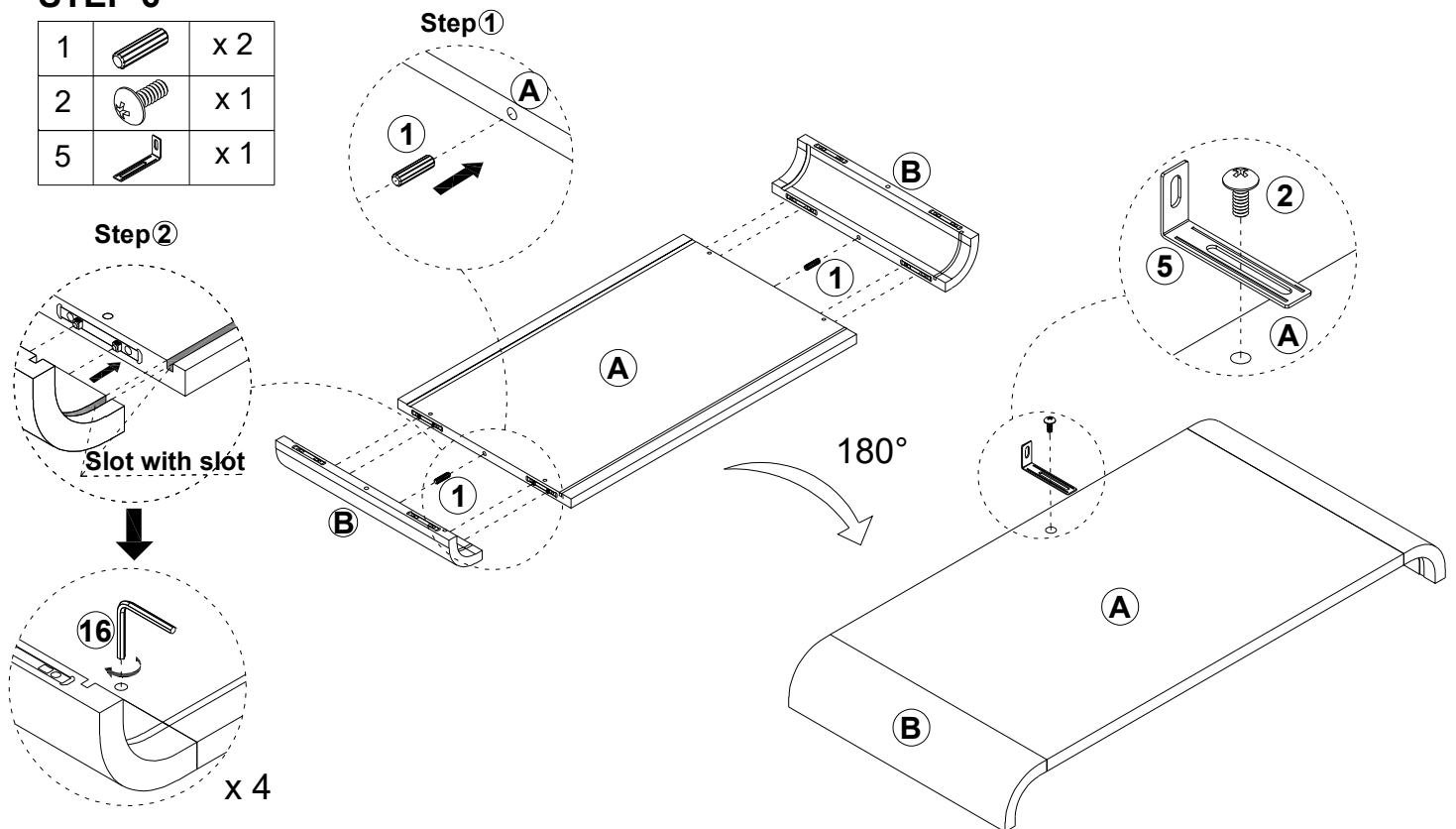
## STEP 5



Open the back panel (E) and insert it into the slot of the parts (C/D/H) as shown.

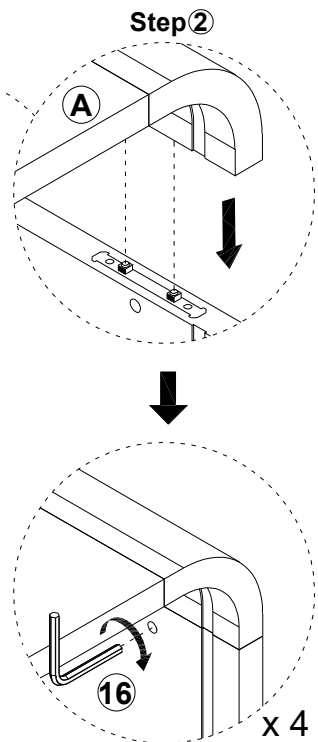
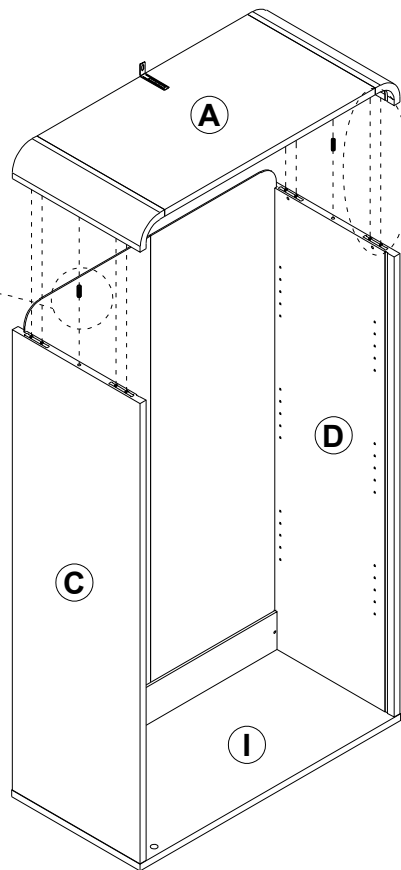
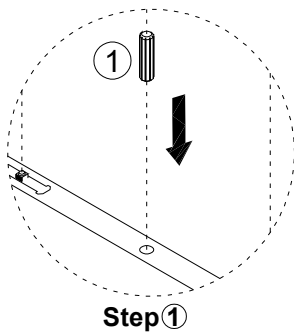
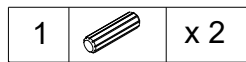
## STEP 6

1		x 2
2		x 1
5		x 1



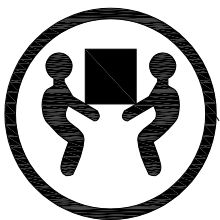
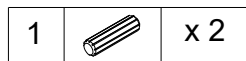
1. Insert wood dowel (1) into the corresponding hole of part (A). Part (B/C) to parts (A) use Allen key (16) to tighten it as show.
2. Attach part (5) to part (A) with bolt (2) use screwdriver to tighten it as show.

## STEP 7

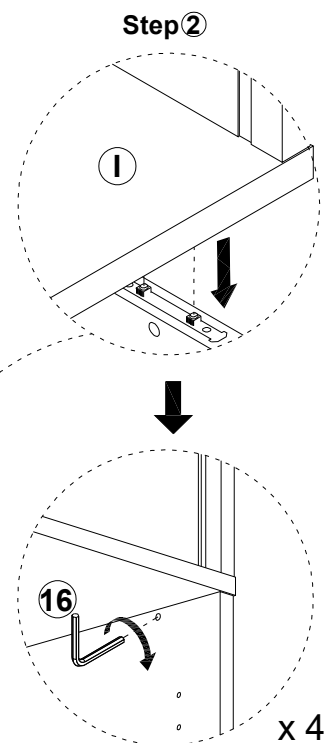
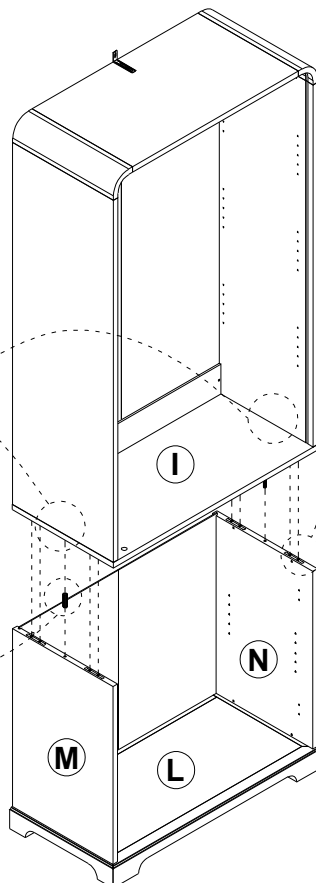
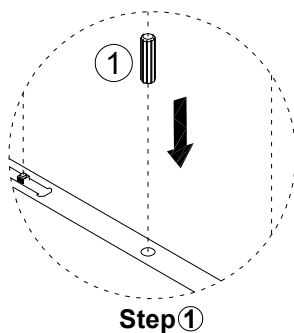


Insert wood dowel (1) into (C/D), and part (A) to the corresponding hole of part (C/D). Make sure all holes are aligned and use Allen key (16) to tighten it as shown.

## STEP 8



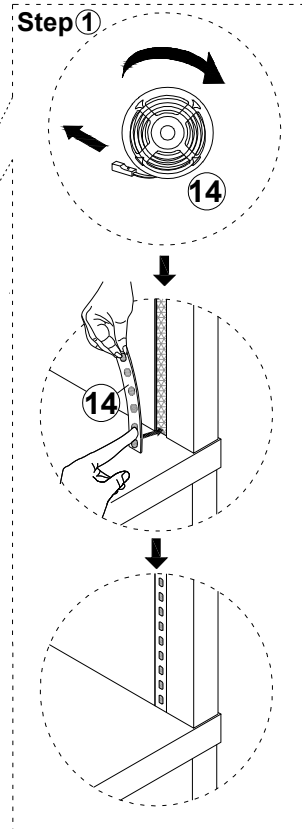
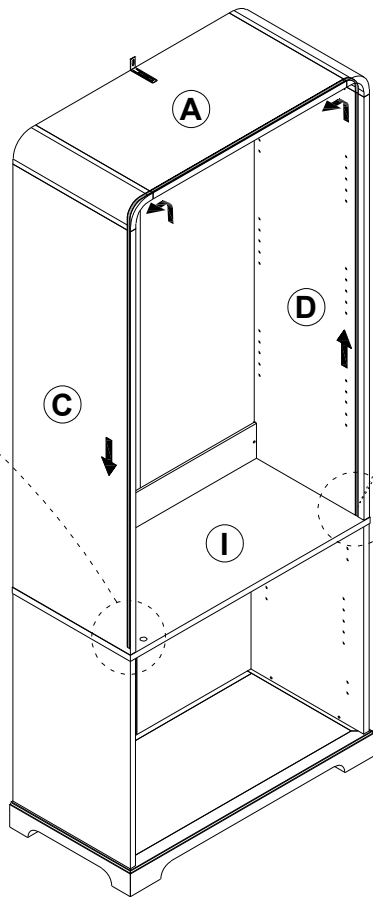
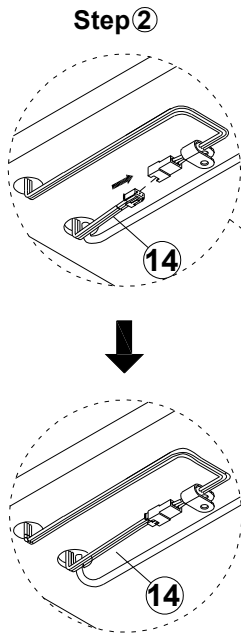
Note:  
The operation takes two adults to complete.



Insert wood dowel (1) into (M/N), and part (I) to the corresponding hole of part (M/N). Make sure all holes are aligned and use Allen key (16) to tighten it as shown.


## STEP 9

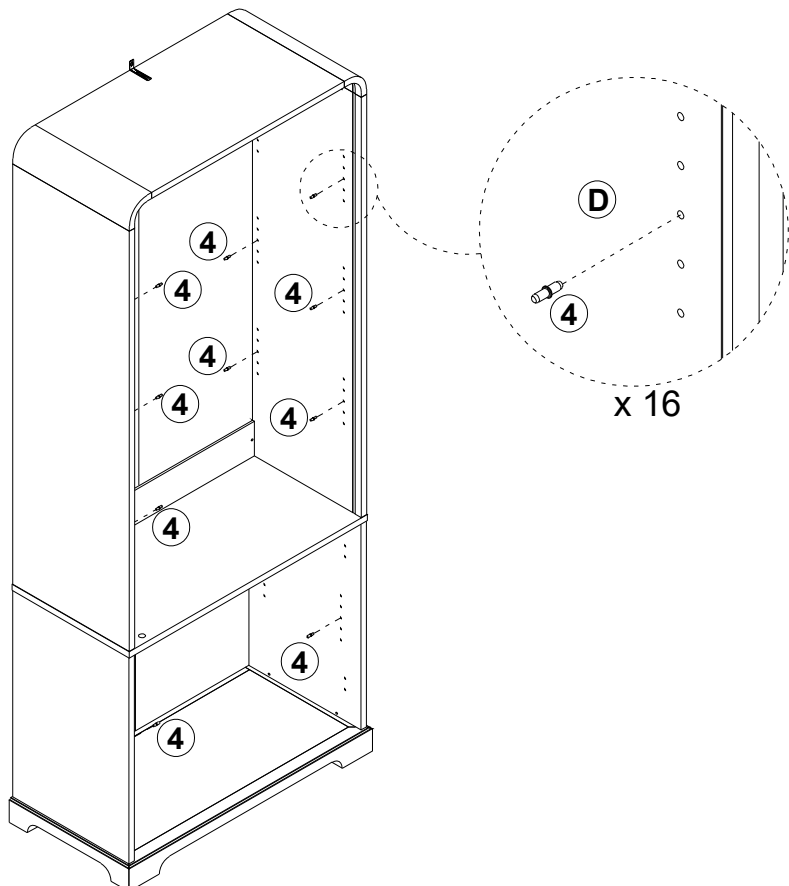
14  x 1



Install the LED strip along the indicated direction in the slot of the part and connect the port as show.

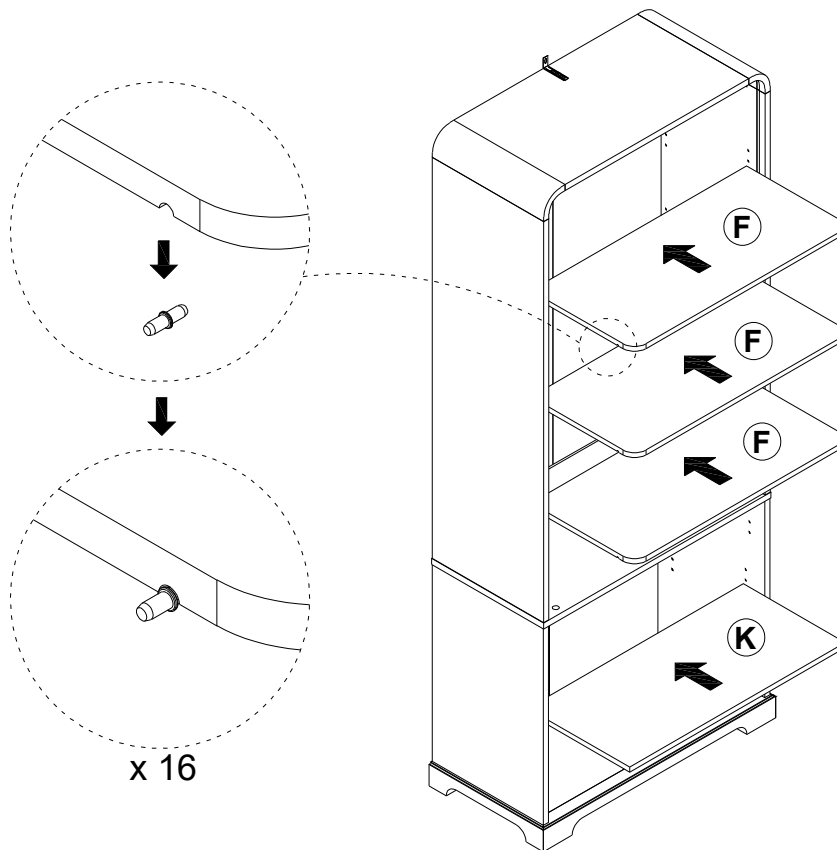
## STEP 10

4  x 16





Insert the shelf support (4) into the holes of side panel ,As show.

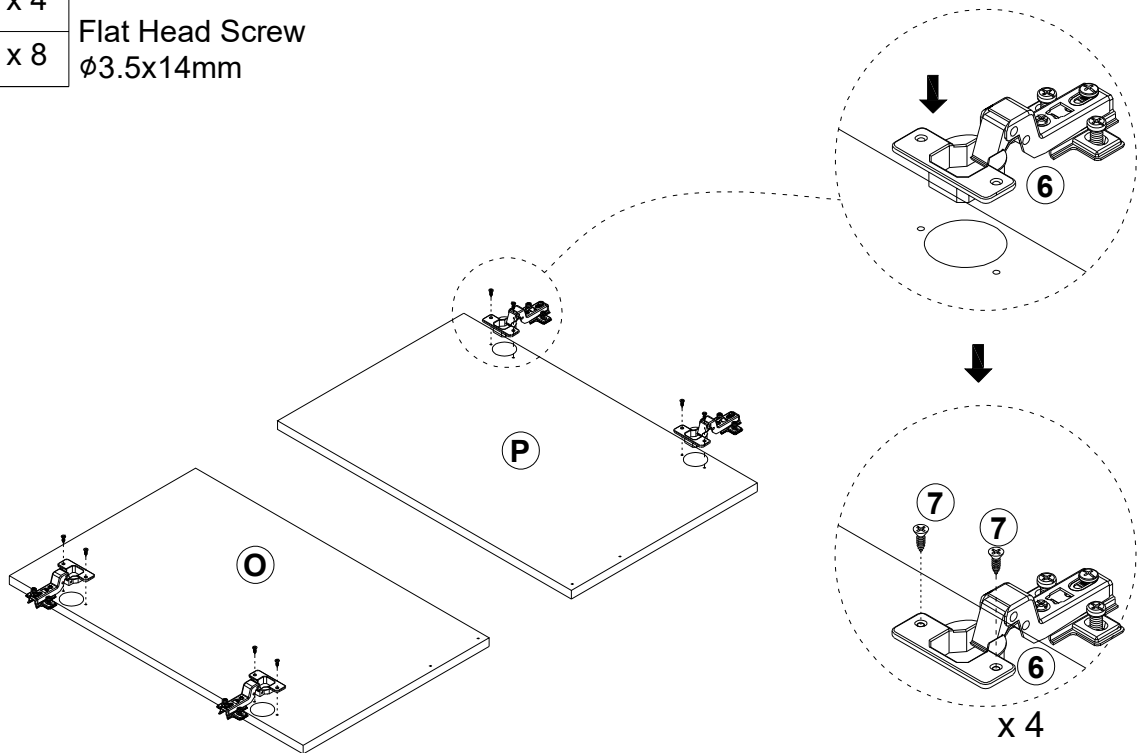
## STEP 11



## STEP 12


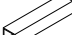
6		x 4
7		x 8

Flat Head Screw  
Ø3.5x14mm

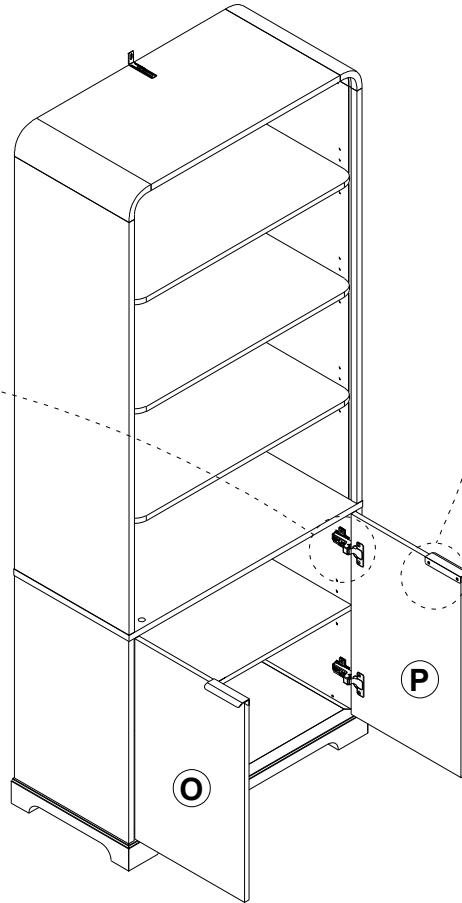
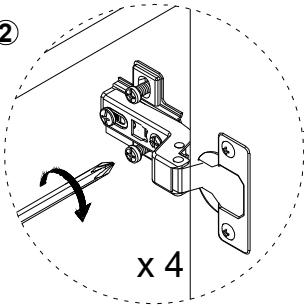


Attach part(6) to part(O/P) with screw (7) use screwdriver to tighten it as show.

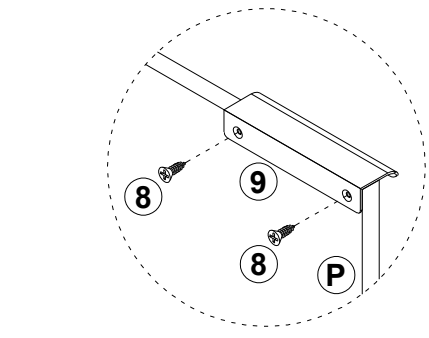
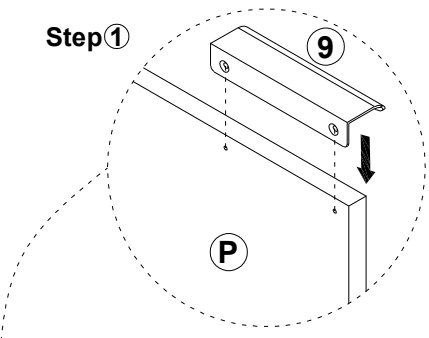
### STEP 13

8		x 4
9		x 2

Step 2





Step 1

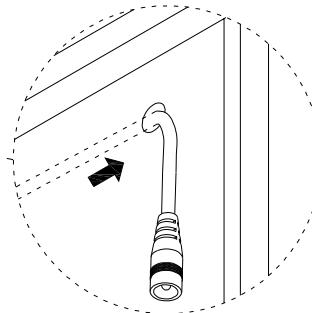
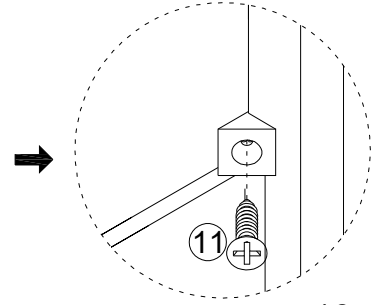
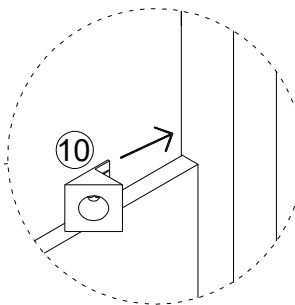
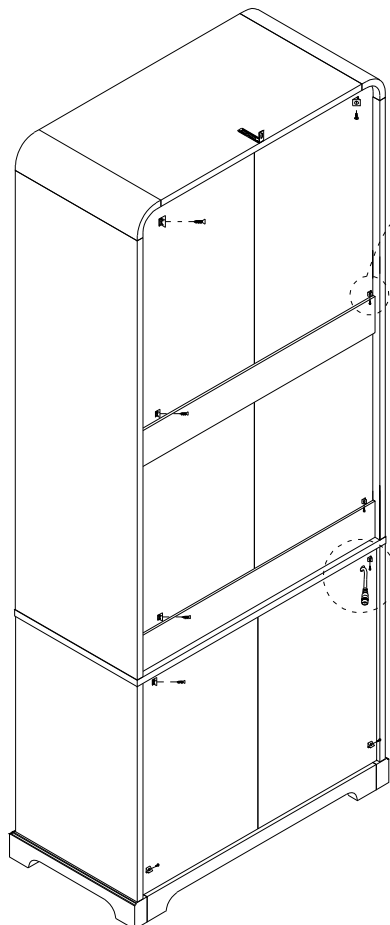


1. Attach part (9) to parts (O/P) with screw(8) use screwdriver to tighten it as show.
2. Attach parts(O/P) to body use screwdriver to tighten it as show.

### STEP 14

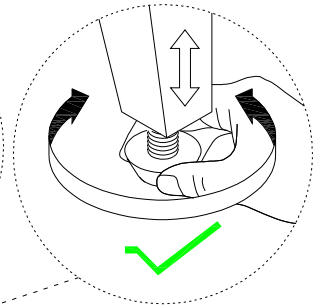
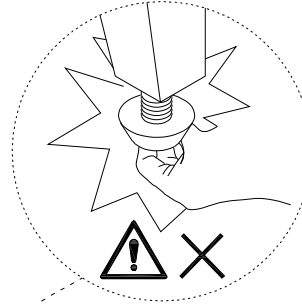
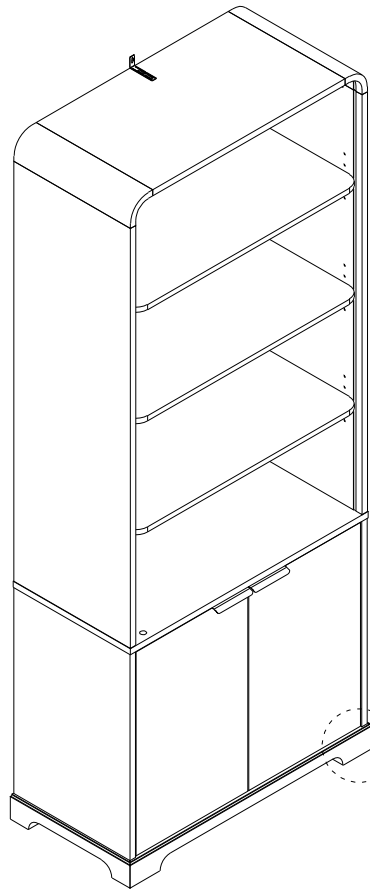
10		x 10
11		x 10

Flat Head Screw  
Ø3.5x16mm





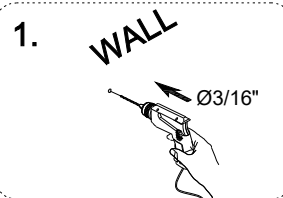
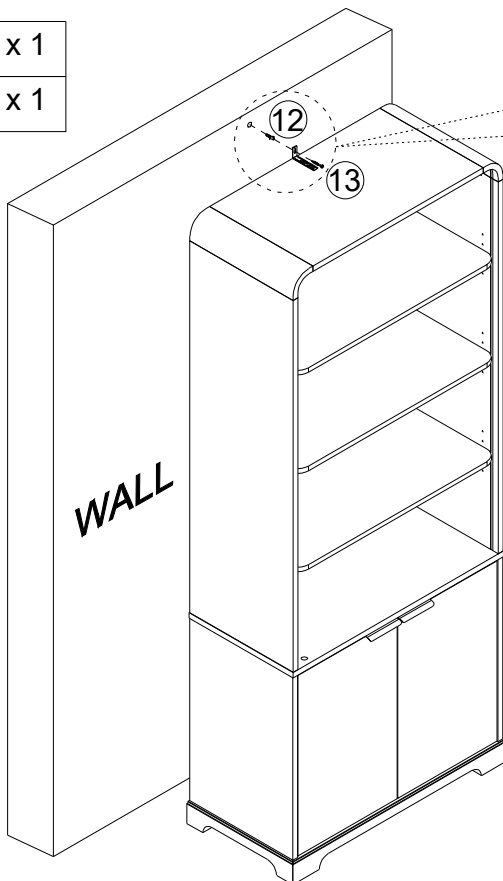
Attach parts(10) to body with screw (11) use screwdriver to tighten it as show.

## STEP 15

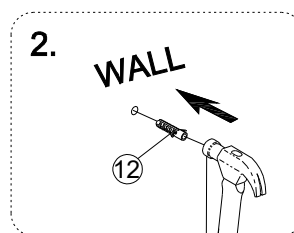


## STEP 16

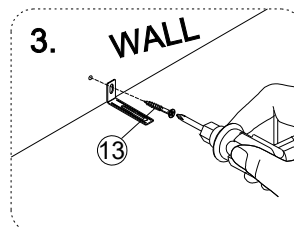
12		x 1
13		x 1



1. Mark the position on the wall, and use an electric drill to make the hole.



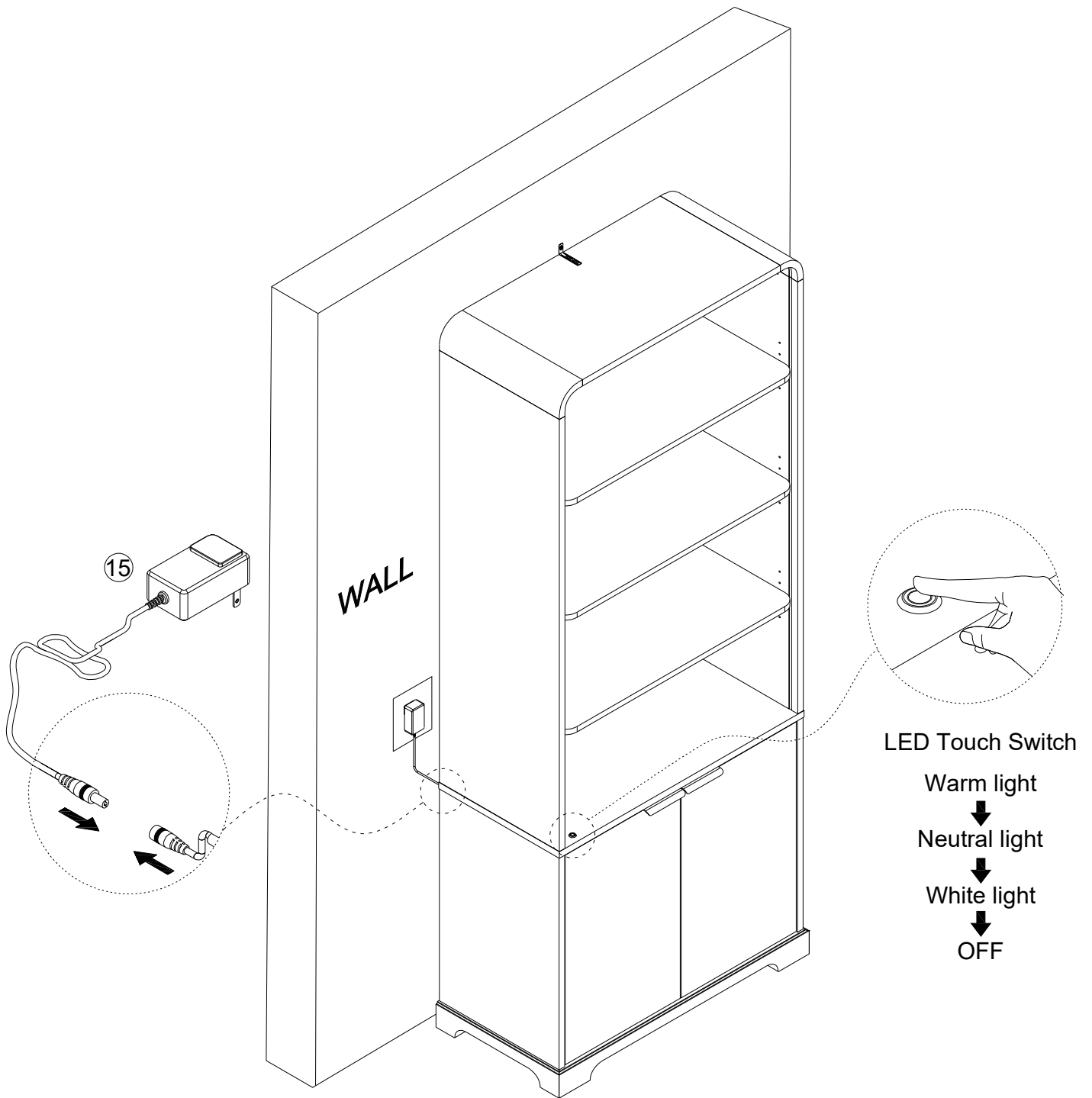
2. The corresponding hole position on the wall, the anchor (12) is hammered in.



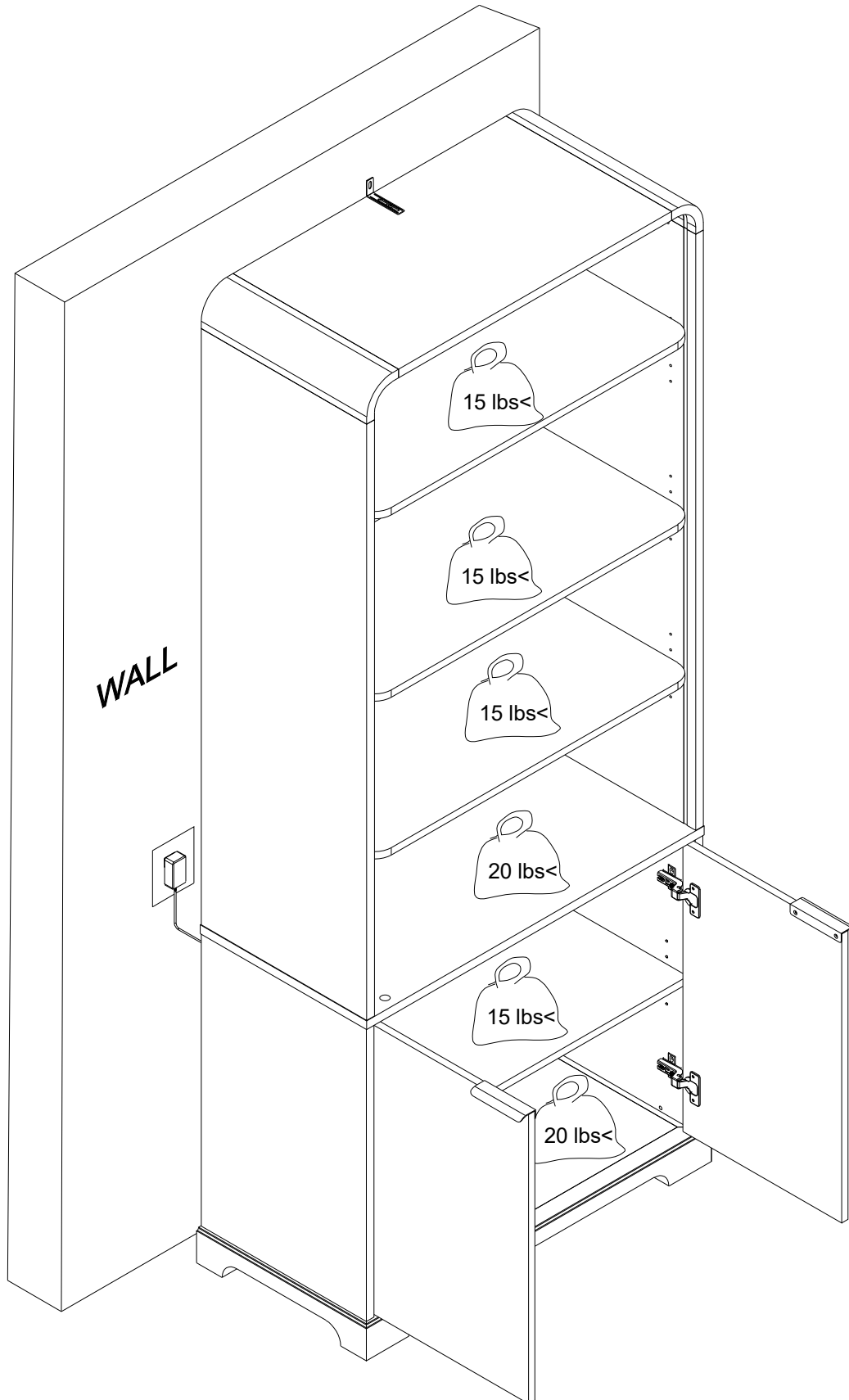
3. The alignment of the Anti tipping hardware with the hole of the anchor (12) is tightened with a screwdriver using screw (13).

## STEP 17

15		x 1
----	---	-----



**STEP 18**



## MAINTENANCE AND WARNING



- Keep furniture away from heat.
- Do not clean furniture with harsh cleansers or polish. Do not use detergents, Solvents, abrasives, spray packs or leather cleaner. Use non-color mild soap with warm water clean spills(Mix 1:10 soap to water)
- Do not place furniture under direct sunlight, material will possibly fade over time.
- Do not use on site dry Cleaning machine.
- Children should not climb or jump on the furniture.
- Do not write on furniture without a padded barrier to protect the surface.
- Not for commercial use, For residential use only.
- The maximum load is 100 LBS.

## WARRANTY

We strive to offer high- quality products, and we also try our best to satisfy each and every customer that orders from us with product or service as needed. We provide 30 days warranty starting from the time you receive the item. Each customer must provide a record of their order such as the order number, or item receipt for any items that are out of the warranty period you may also still receive replacement parts by purchasing them with our company if they are available.

Are you having difficulty with assembly? Missing parts? Please send email with your order No to For return, please check the return policy with the retailer or market place you bought from. Appreciate your purchasing from us. Pop up your life by our furniture piece!