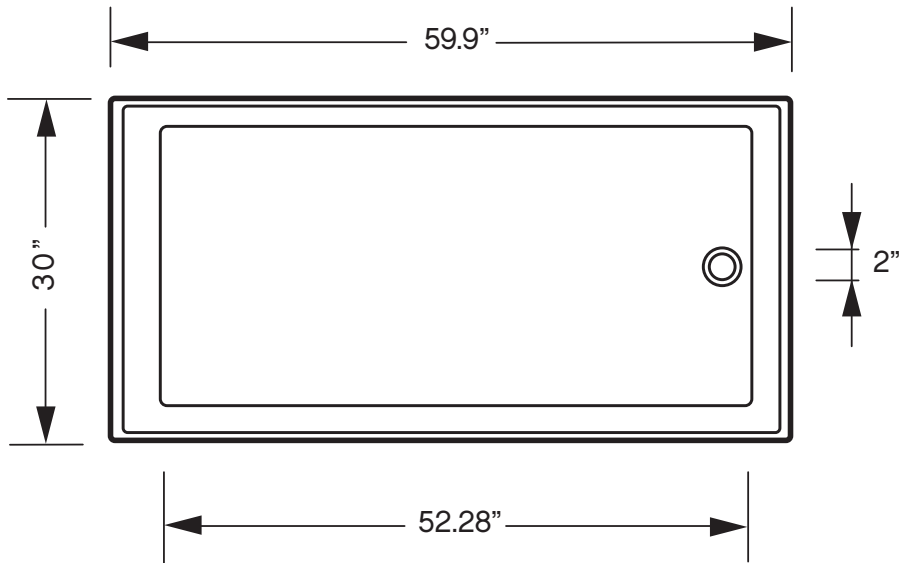
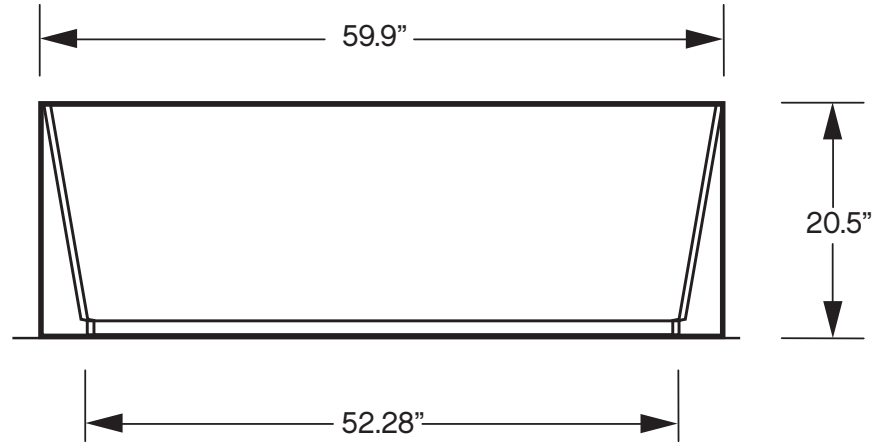
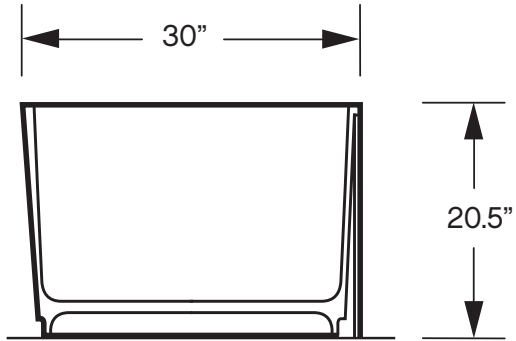


# CLARKE

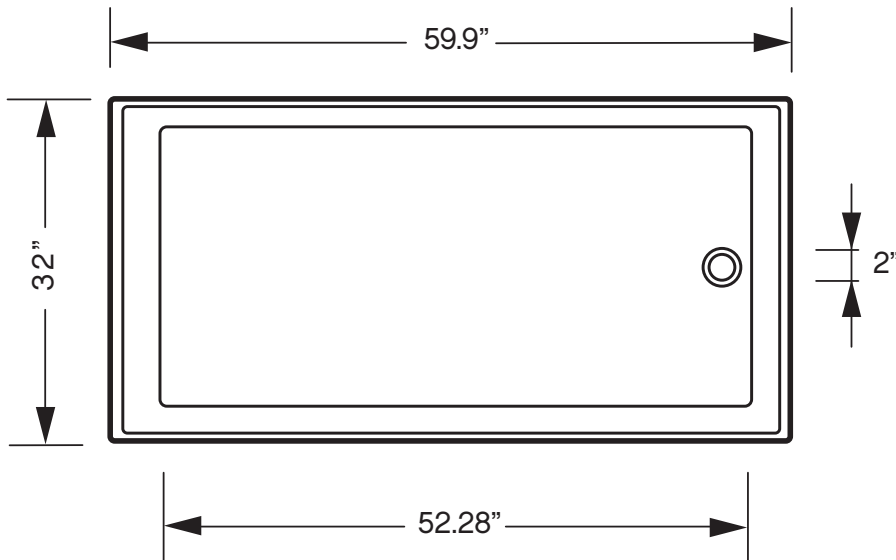
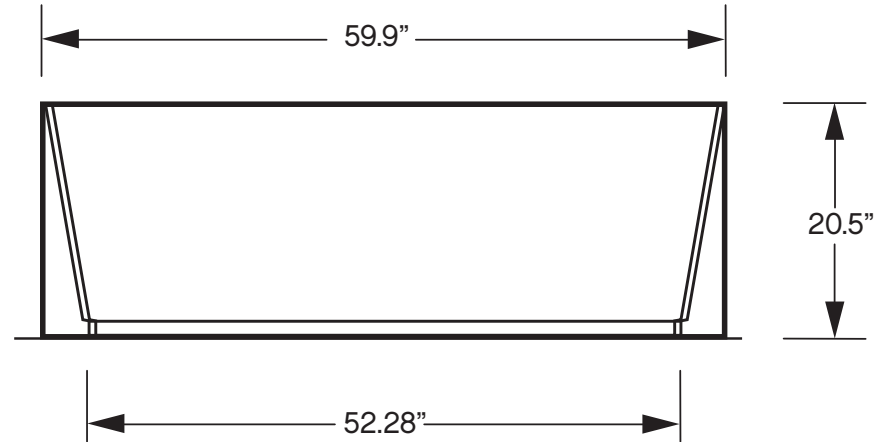
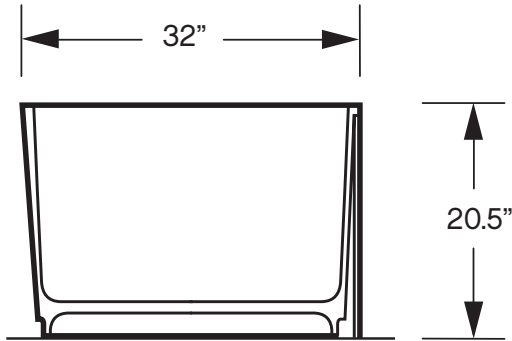
ARCHITECTURAL



<b>SPARTA SKIRTED</b>			
LENGTH	59.9"	CAPACITY	99 Gallons
WIDTH	30"	DRAIN	Offset
HEIGHT	20.5"	MODEL #	CA6030SKR R/L-01

# CLARKE

ARCHITECTURAL



## SPARTA SKIRTED

LENGTH	59.9"	CAPACITY	104 Gallons
WIDTH	32"	DRAIN	Offset
HEIGHT	20.5"	MODEL #	CA6032SKR R/L-01