

# ASSEMBLY INSTRUCTION

Thank you for purchasing this quality product. Be sure to check all packing material carefully for small parts which may have come loose inside the carton during shipment. Separate, identify and count all parts and hardware. Compare with the parts list to be sure all parts are present.

**IMPORTANT : PLEASE READ INSTRUCTION BEFORE STARTING THE ASSEMBLY.**

**"DO NOT TIGHTEN SCREWS UNTIL COMPLETELY ASSEMBLED"**

**"DO NOT OVERTIGHT ANY HARDWARE"**

**WARNING : SMALL PARTS AND HARDWARE NOT FOR CHILDREN UNDER 3 YEARS. ADULT ASSEMBLY REQUIRED.**

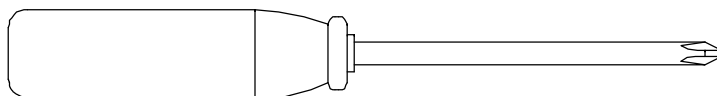
**Attention : ensure that there is no any item may cause damage on the ground before put down every parts.**

## TABLE OF CONTENTS

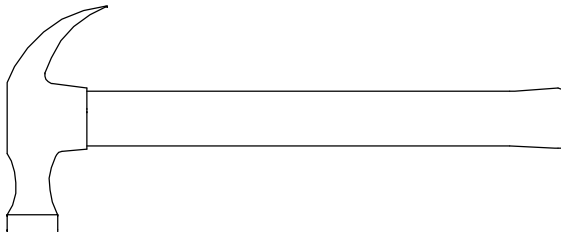
HARDWARES LIST	PAGE 2 - 3
PARTS LIST	PAGE 3 - 4
PARTS' LOCATION	PAGE 5
ASSEMBLY STEPS	PAGE 6 - 15
ASSEMBLY COMPLETED	PAGE 15

## ASSEMBLY TOOLS REQUIRED

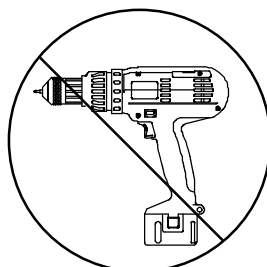
### 1. Screwdriver (not provide)



### 2. Hammer (not provide)


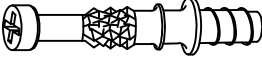






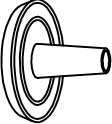


Skip the power trip this time.



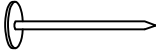
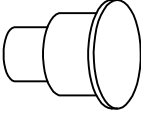

# ASSEMBLY INSTRUCTION

## HARDWARES LIST

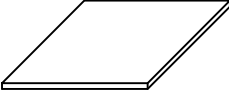

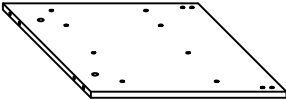
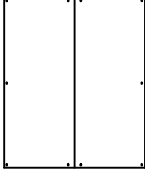
ITEM	DESCRIPTION	DRAWING	QTY
A	MINIFIX CAM LOCK		8 PCS
B	MINIFIX CAM BOLT		8 PCS
C	WOOD DOWEL (M6 x 20MM)		24 PCS
D	CSK C/B SCREW (M4 x 16MM)		12 PCS
E	CSK C/B SCREW (M4 x 30MM)		8 PCS
F	CAP WOOD SCREW (M6 x 40MM)		4 PCS
G	TRUSS M-SCREW (20MM)		2 PCS
H	DRAWER SLIDE		4 PCS
I	HANDLE		2 PCS

# ASSEMBLY INSTRUCTION

## HARDWARES LIST

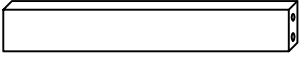
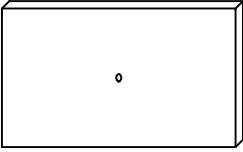
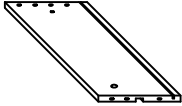
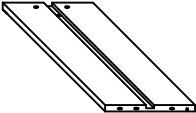
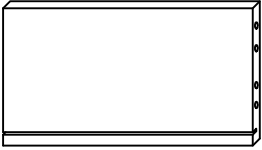
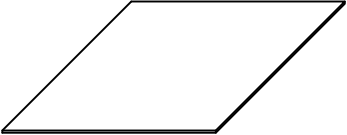
ITEM	DESCRIPTION	DRAWING	QTY
J	6/8" NAIL		10 PCS
K	DRAWER STOPPER		4 PCS
L	M4 ALLEN KEY (65MM)		1 PC

## PARTS LIST

ITEM	DESCRIPTION	DRAWING	QTY
1	TOP PANEL		1 PC
2	LEFT PANEL		1 PC
3	RIGHT PANEL		1 PC
4	BACK PANEL		1 PC

# ASSEMBLY INSTRUCTION

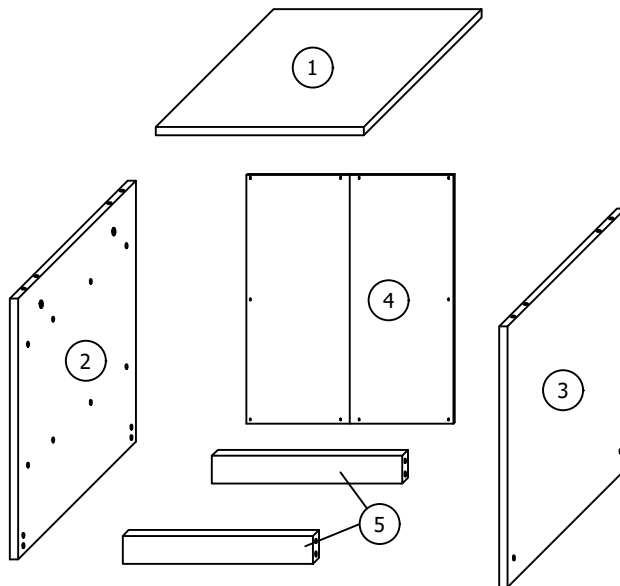
## PARTS LIST

ITEM	DESCRIPTION	DRAWING	QTY
5	BOTTOM SUPPORT RAIL		2 PCS
6	DRAWER HEAD		2 PCS
7	DRAWER LEFT PANEL		2 PCS
8	DRAWER RIGHT PANEL		2 PCS
9	DRAWER BACK PANEL		2 PCS
10	DRAWER BOTTOM PANEL		2 PCS

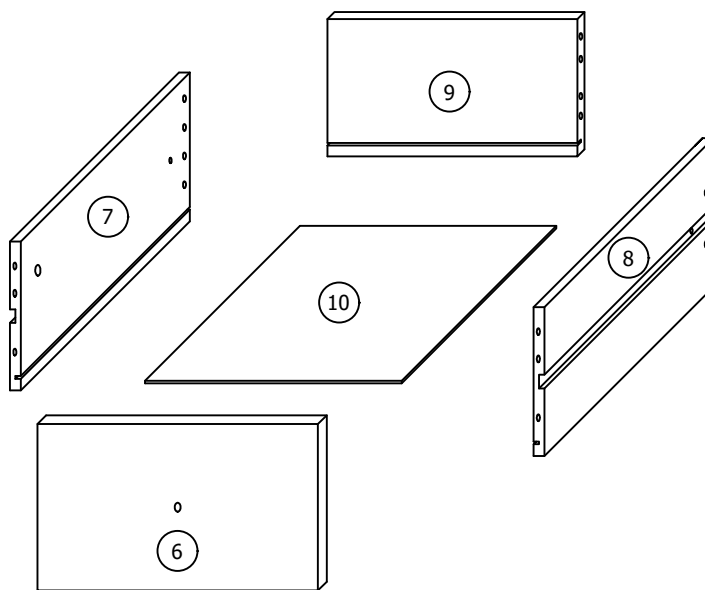
# ASSEMBLY INSTRUCTION

## PARTS ' LOCATION

NIGHTSTAND x 1 PC



DRAWER x 2 PCS

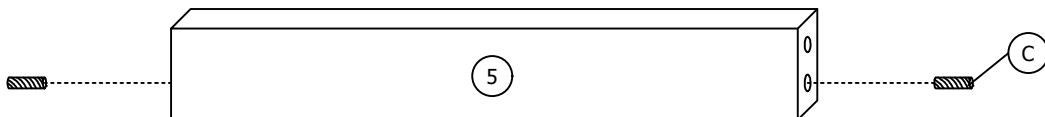


# ASSEMBLY INSTRUCTION

## ASSEMBLY STEPS

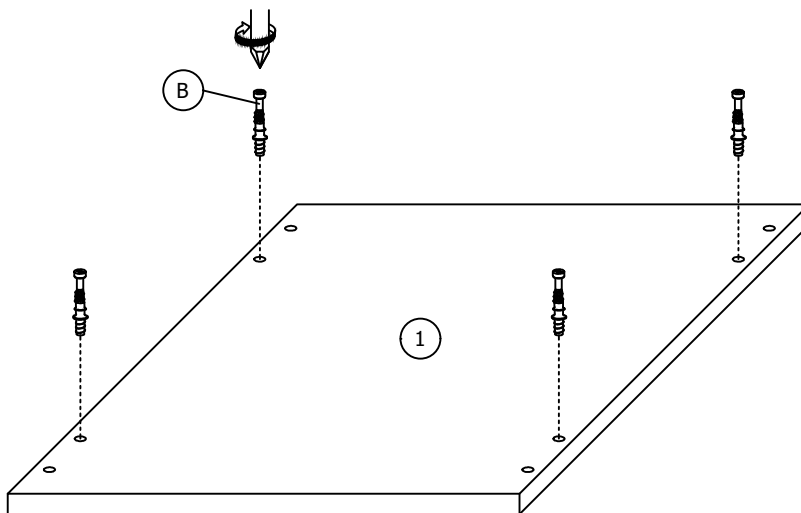
### STEP 1

Insert 2 pieces WOOD DOWEL (C) to BOTTOM SUPPORT RAIL (5) as shown. **This step need to be done twice.**

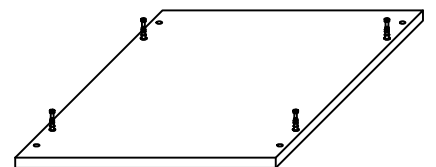


### STEP 2

Insert 4 pieces MINIFIX CAM BOLT (B) to the TOP PANEL (1) as shown.



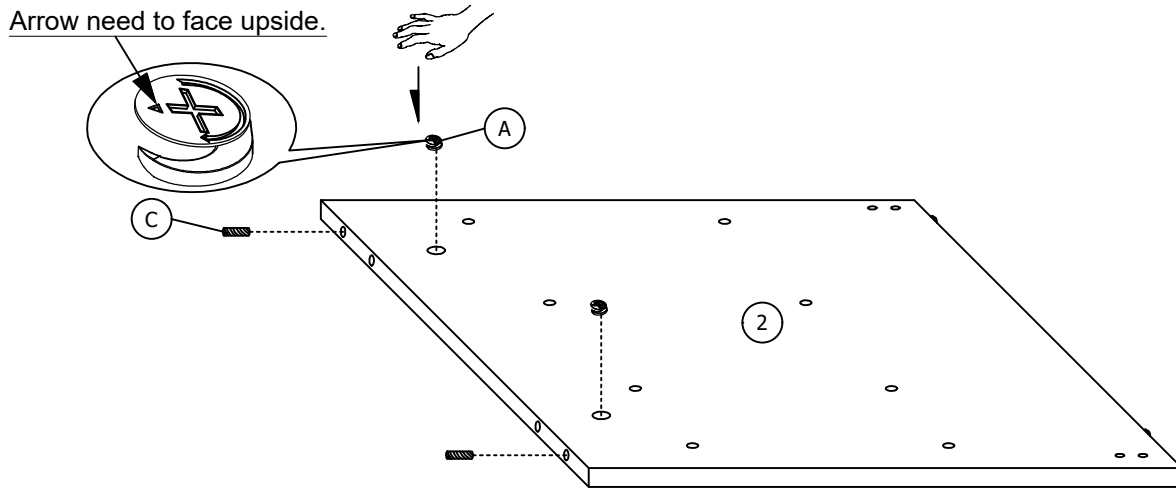
Assembled become like this



# ASSEMBLY INSTRUCTION

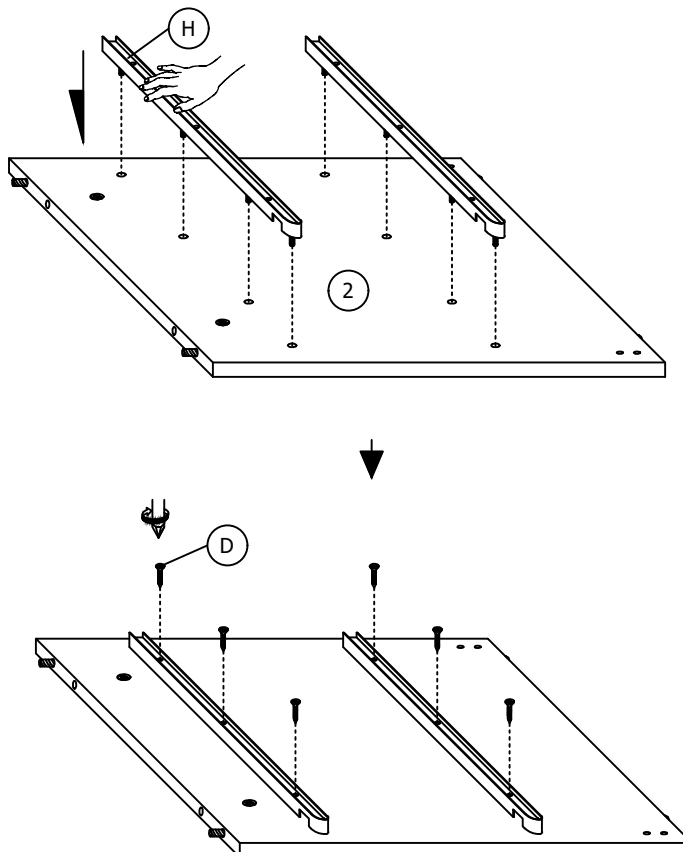
## STEP 3

Insert 2 pieces WOOD DOWEL (C) to the LEFT PANEL (2) . Then insert 2 pieces MINIFIX CAM LOCK (A) to the LEFT PANEL (2) by your hand as shown.

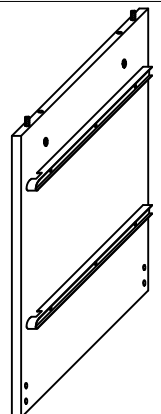


## STEP 4

Align the position of hole and insert 2 pieces DRAWER SLIDE (H) to the LEFT PANEL (2) by your hand . Then lock the 2 pieces (H) with 6 pieces CSK C/B SCREW (D) as shown.



Assembled become like this

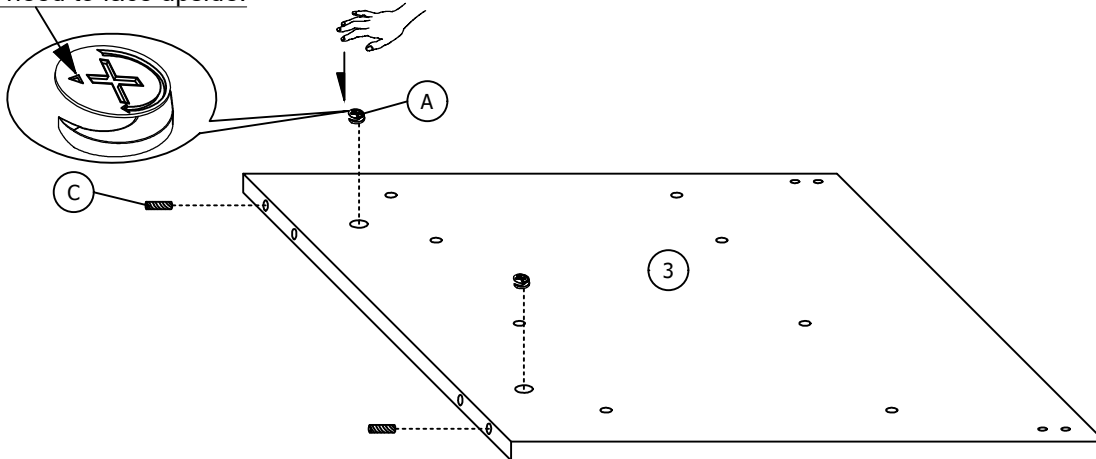


# ASSEMBLY INSTRUCTION

## STEP 5

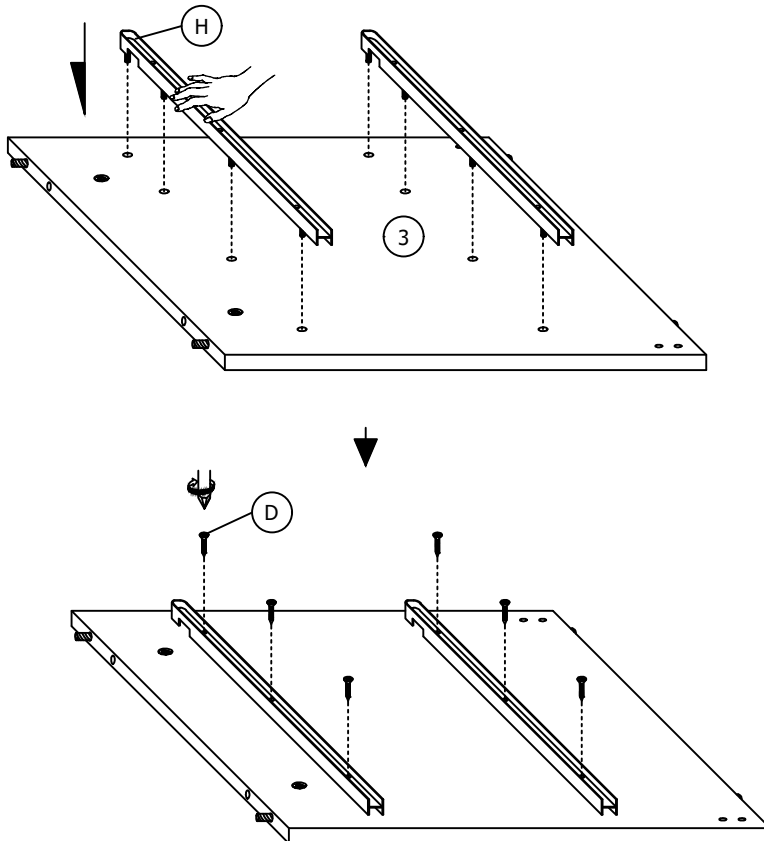
Insert 2 pieces WOOD DOWEL (C) to the RIGHT PANEL (3) . Then insert 2 pieces MINIFIX CAM LOCK (A) to the RIGHT PANEL (3) by your hand as shown.

Arrow need to face upside.

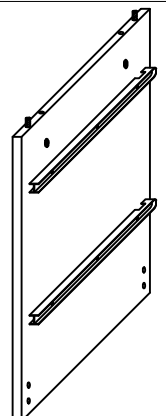


## STEP 6

Align the position of hole and insert 2 pieces DRAWER SLIDE (G) to the RIGHT PANEL (3) by your hand. Then lock the 2 pieces (H) with 6 pieces WOOD SCREW (D) as shown.



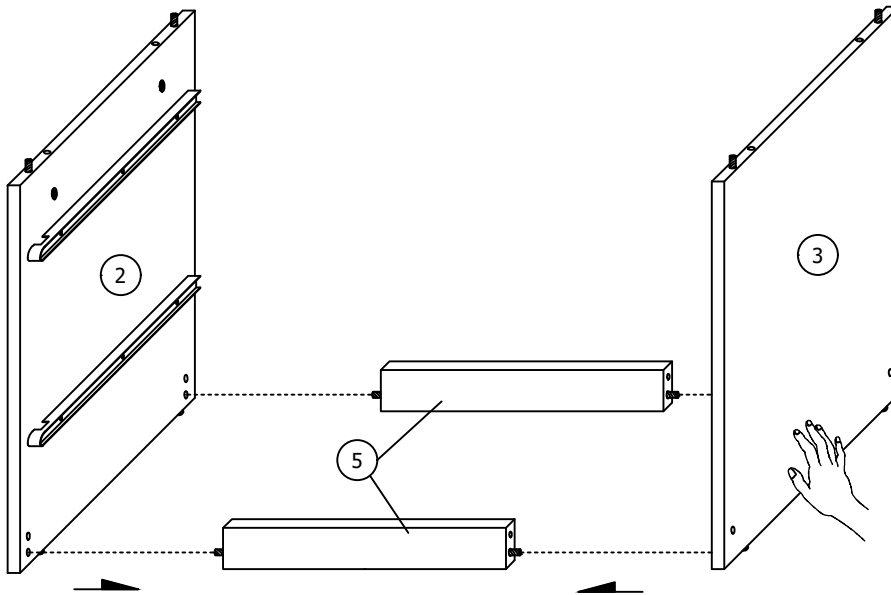
Assembled become like this



# ASSEMBLY INSTRUCTION

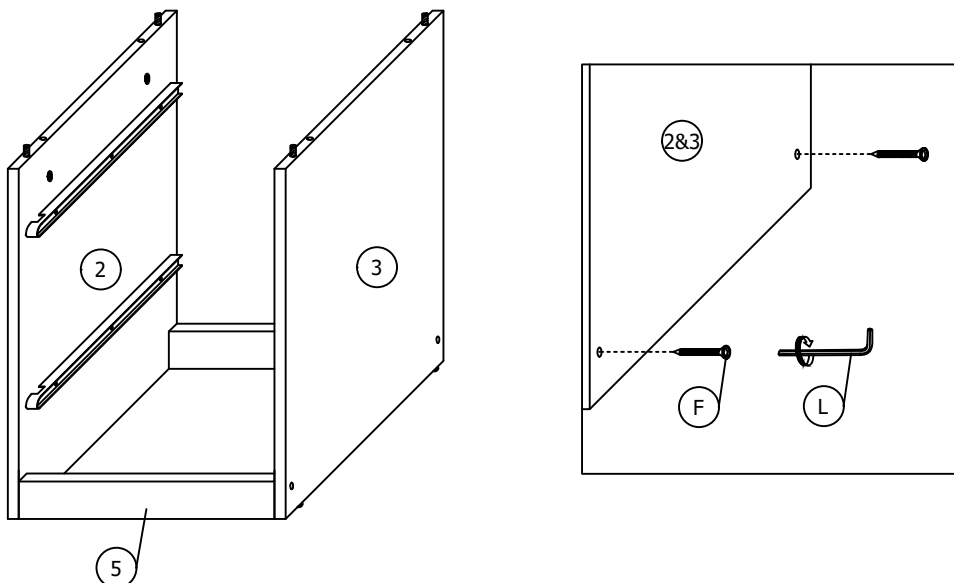
## STEP 7

Align the position of hole and combine the LEFT and RIGHT PANEL (2) & (3) to the BOTTOM PANEL (5) and the BOTTOM SUPPORT RAIL (5) by your hand as shown.



## STEP 8

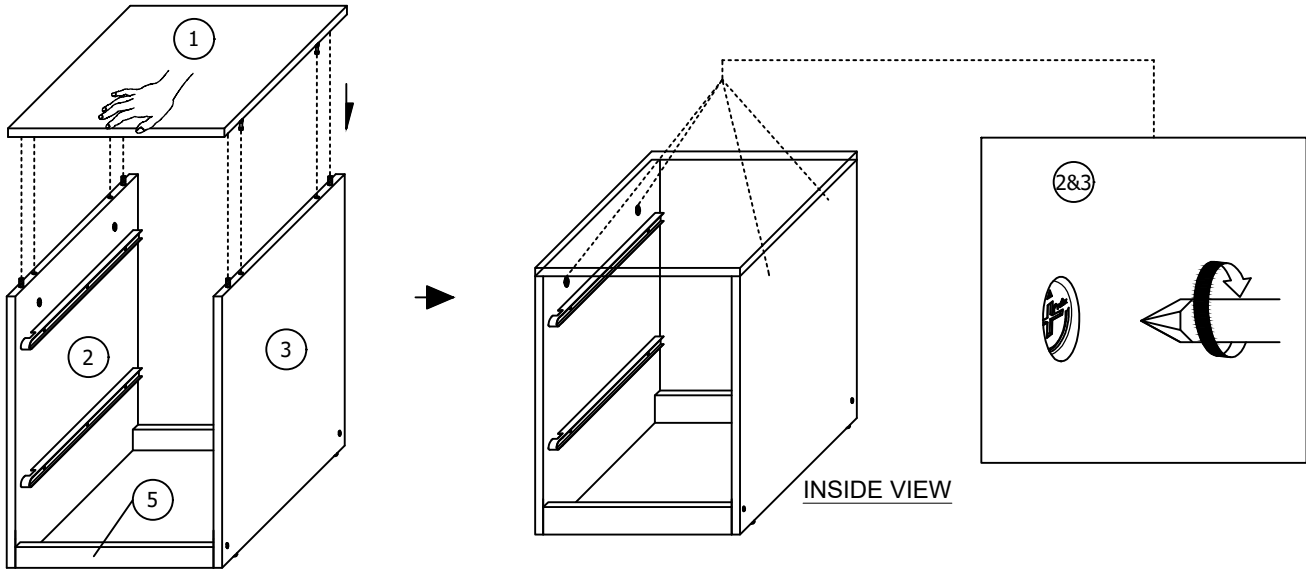
Insert the 4 pieces CAP WOOD SCREW (F) to the LEFT and RIGHT PANEL (2) & (3) as shown.



# ASSEMBLY INSTRUCTION

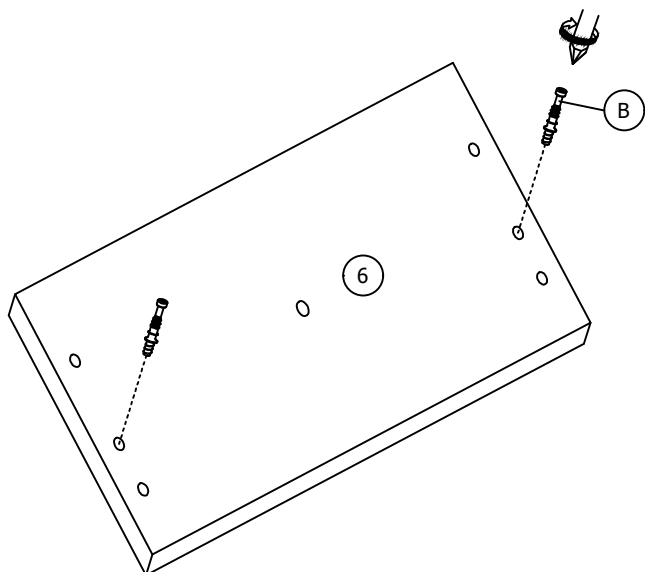
## STEP 9

Align the position of hole and combine the TOP PANEL (1) to the LEFT and RIGHT PANEL (2) & (3) by your hand as shown. Then tighten the 4 pieces MINIFIX CAM LOCK (A) (pre-insert in STEP 3 and STEP 5) at LEFT and RIGHT PANEL (2) & (3) as shown.

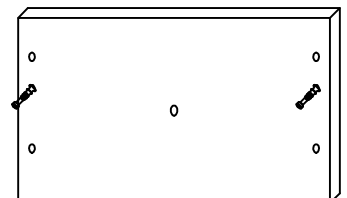


## STEP 10

Insert 2 pieces MINIFIX CAM BOLT (B) to the DRAWER HEAD (6) as shown.



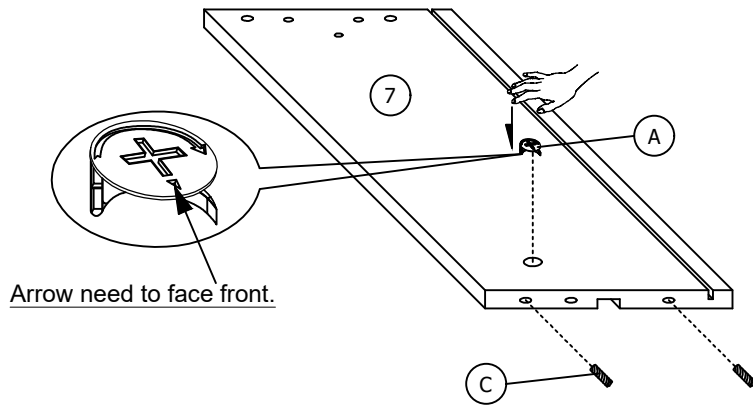
Assembled become like this



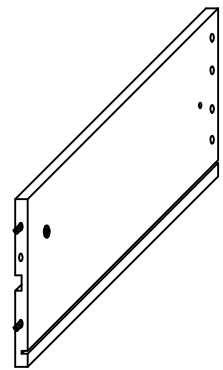
# ASSEMBLY INSTRUCTION

## STEP 11

Insert 2 pieces WOOD DOWEL (C) to the DRAWER LEFT PANEL (7) . Then insert 1 piece MINIFIX CAM LOCK (A) to the (7) as shown.

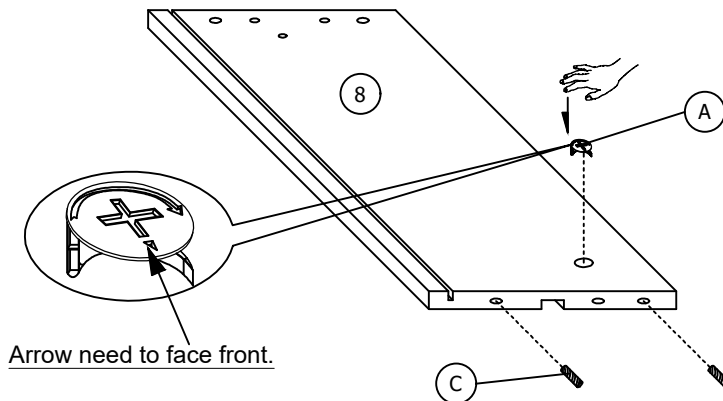


Assembled become like this

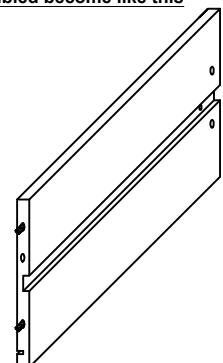


## STEP 12

Insert 2 pieces WOOD DOWEL (C) to the DRAWER RIGHT PANEL (8) . Then insert 1 piece MINIFIX CAM LOCK (A) to the (8) as shown.



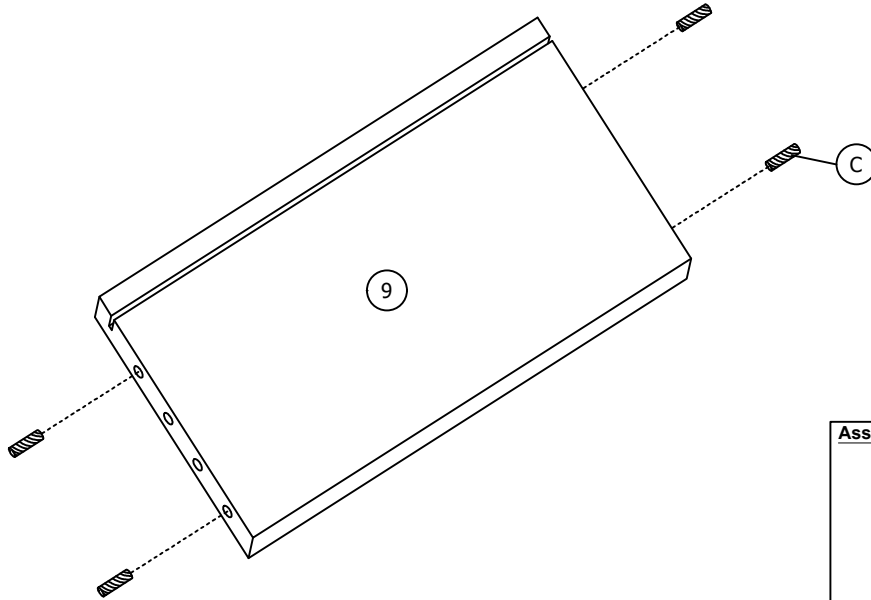
Assembled become like this



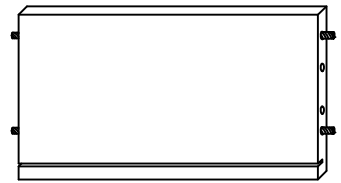
# ASSEMBLY INSTRUCTION

## STEP 13

Insert 4 pieces WOOD DOWEL (C) to the DRAWER BACK PANEL (9) as shown.

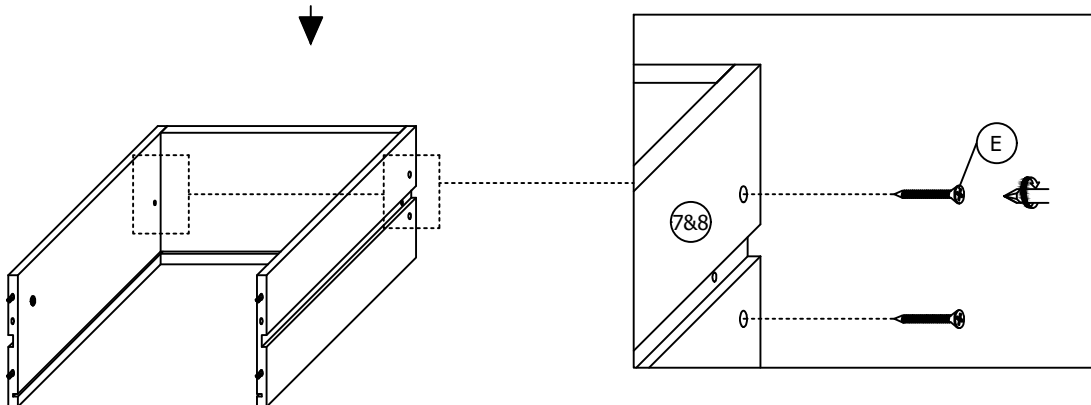
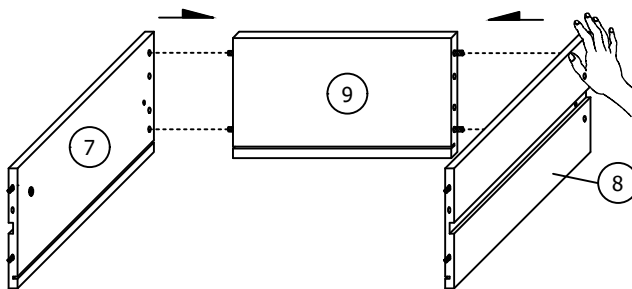


Assembled become like this



## STEP 14

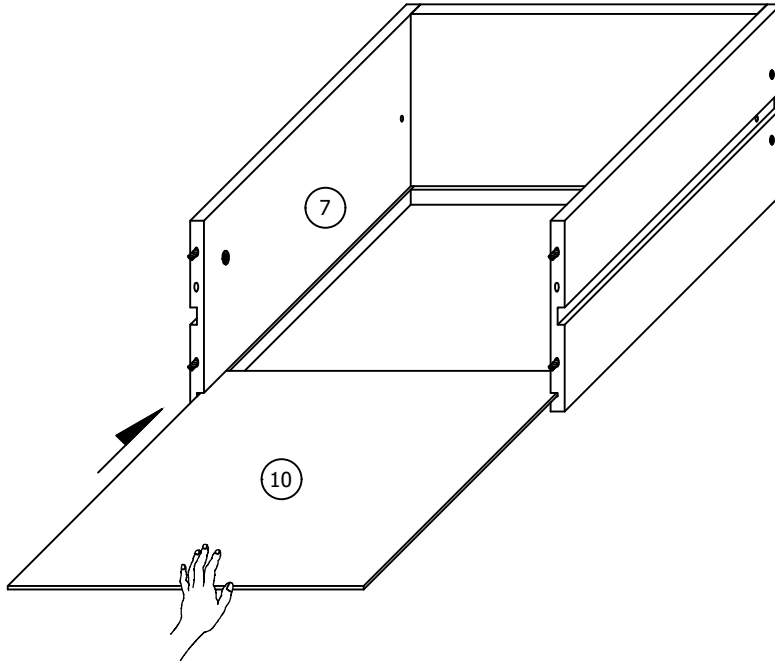
Align the position of hole and combine the DRAWER LEFT and DRAWER RIGHT PANEL (7) & (8) to the DRAWER BACK PANEL (9) by your hand. Then fix it with 2 pieces CSK C/B SCREW (E) as shown.



# ASSEMBLY INSTRUCTION

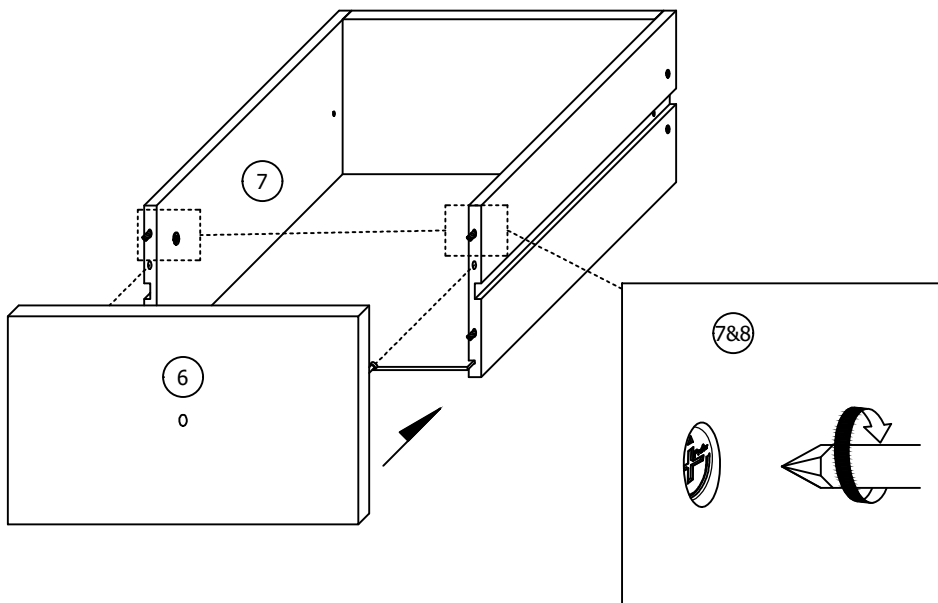
## STEP 15

Put the DRAWER BOTTOM PANEL (10) into the gap as shown.



## STEP 16

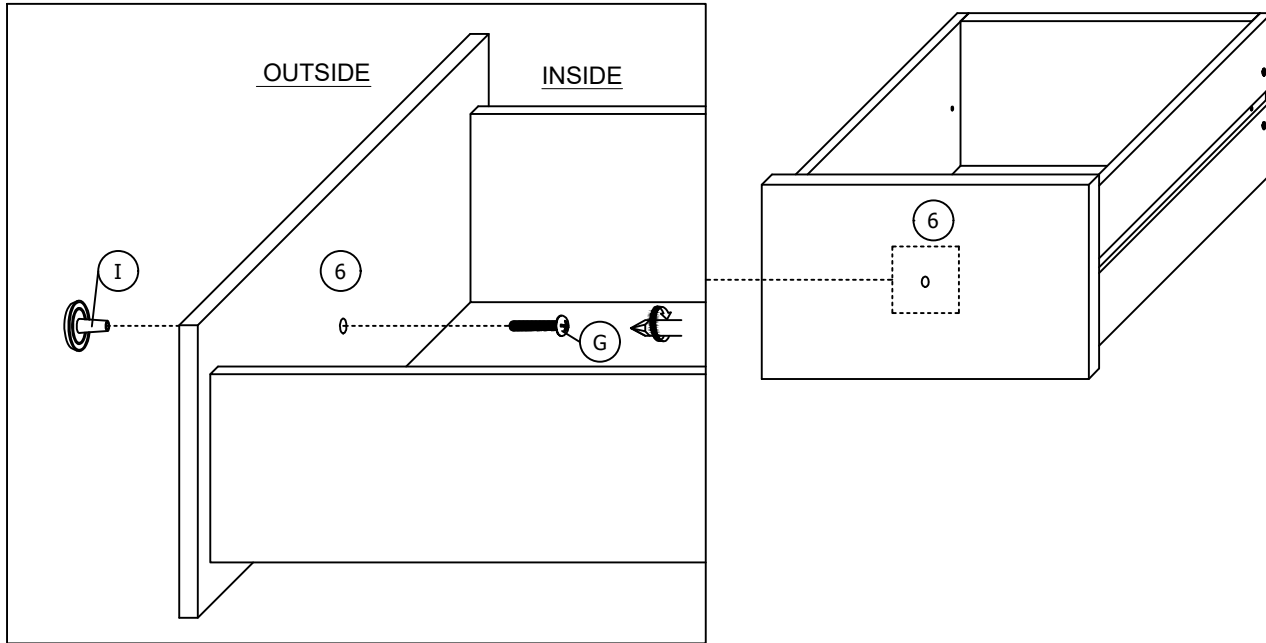
Align the position of hole and combine the DRAWER HEAD (6) to DRAWER LEFT and DRAWER RIGHT PANEL (7) & (8). Then tighten the 2 pieces MINIFIX CAM LOCK (A) (pre-insert in STEP 11 and STEP 12) at (7) & (8) as shown.



# ASSEMBLY INSTRUCTION

## STEP 17

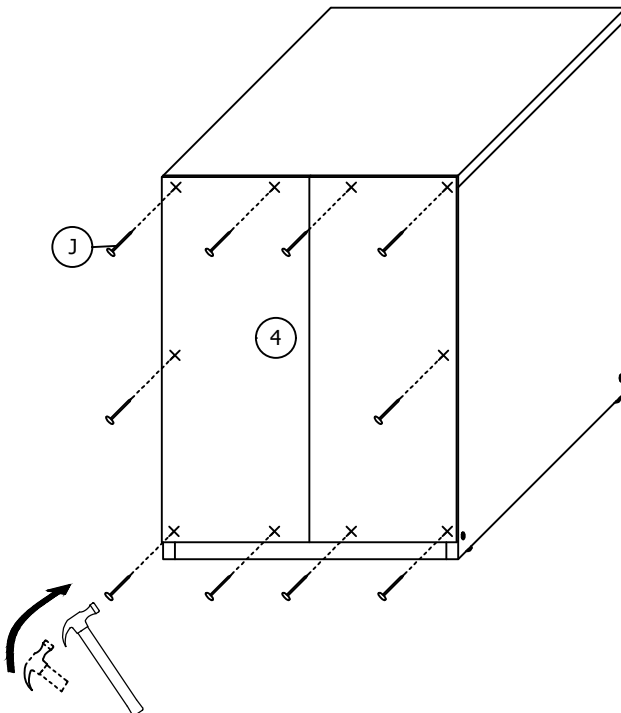
Fix the HANDLE (I) with the TRUSS M-SCREW (G) as shown.



## STEP 18

Insert 10 pieces 6/8" NAIL (J) at the BACK PANEL (4) with using a hammer as shown.

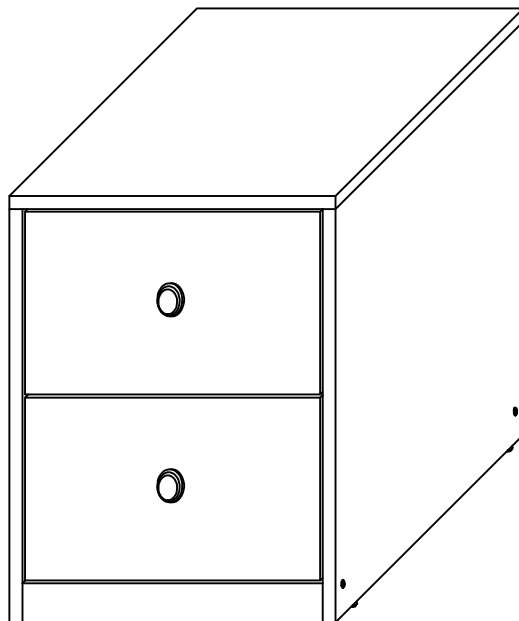
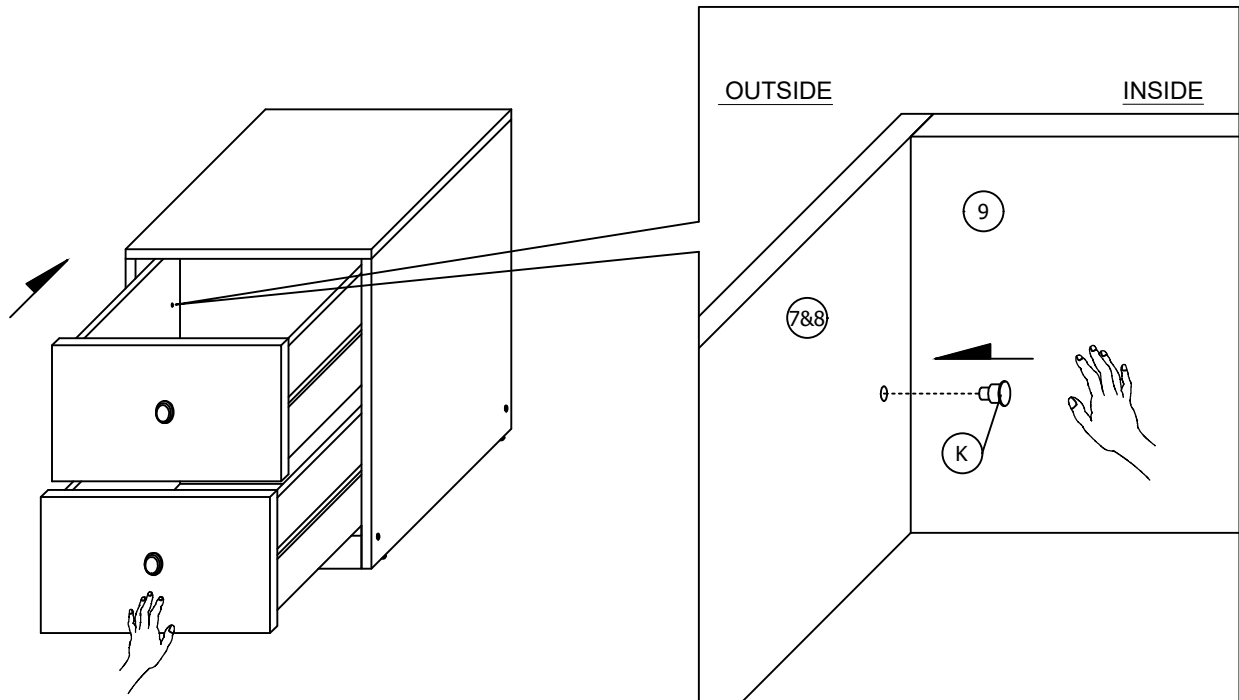
**ATTENTION : Need to nail at some thick position.**



# ASSEMBLY INSTRUCTION

## STEP 19

Align the position of drawers and push inside exactly . After that , insert the 4 pieces DRAWER STOPPER (K) to the 2 pieces DRAWER LEFT PANEL (7) and DRAWER RIGHT PANEL (8) by your hand.



**ASSEMBLY COMPLETED**