

CARE AND MAINTENANCE













Spot clean using a mild water-free solvent. Only a professional cleaner should undertake a complete overall cleaning.
The use of steam or water-based cleaners may cause excessive shrinking or staining.

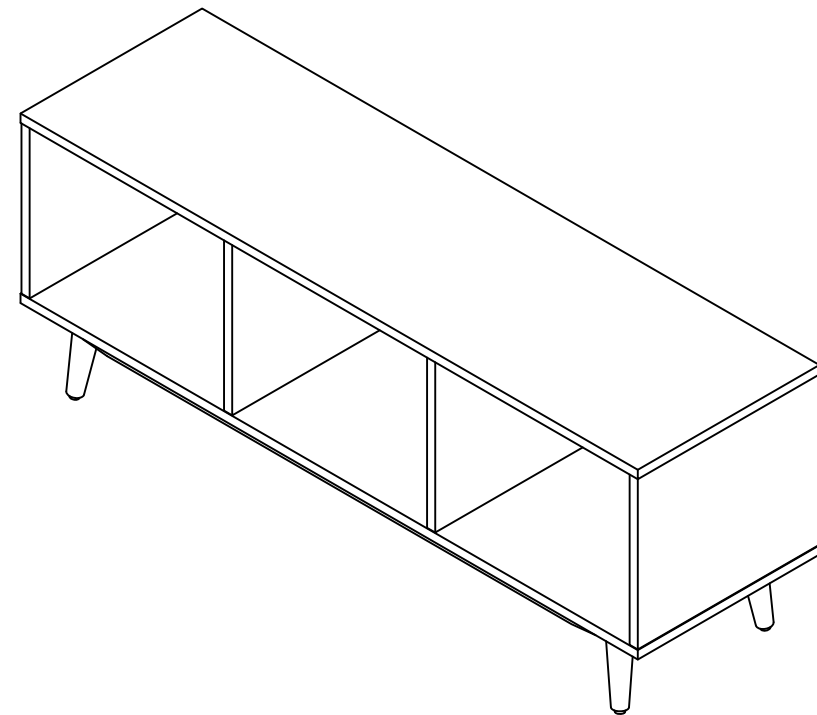
NOTICE

- * Please make sure that you have all parts indicated before you begin assembly of this item.
- * This item should be assembled on a soft surface to prevent scratching the finish during assembly.
- * This item may require periodic tightening.

Product Dimensions: 47 5/8" W x 14" D x 18" H
Weight Capacity: 100lbs

Part List and Hardware List

PIECE	DESCRIPTION	PICTURE	QUANTITY
A	TOP PANEL		1X
B	LEFT PANEL		1X
C	RIGHT PANEL		1X
D	DIVIDER		2X
E	BACK UPPER FRAME		1X
F	BACK LOWER FRAME		1X
G	BASE ASSEMBLY		1X
H	LEG		4X
HW1	1 1/4" ROUND HEAD SCREW		22X
HW2	CAMBOLT		12X
HW3	CAMLOCK		12X
HW4	WOODEN DOWEL		24X



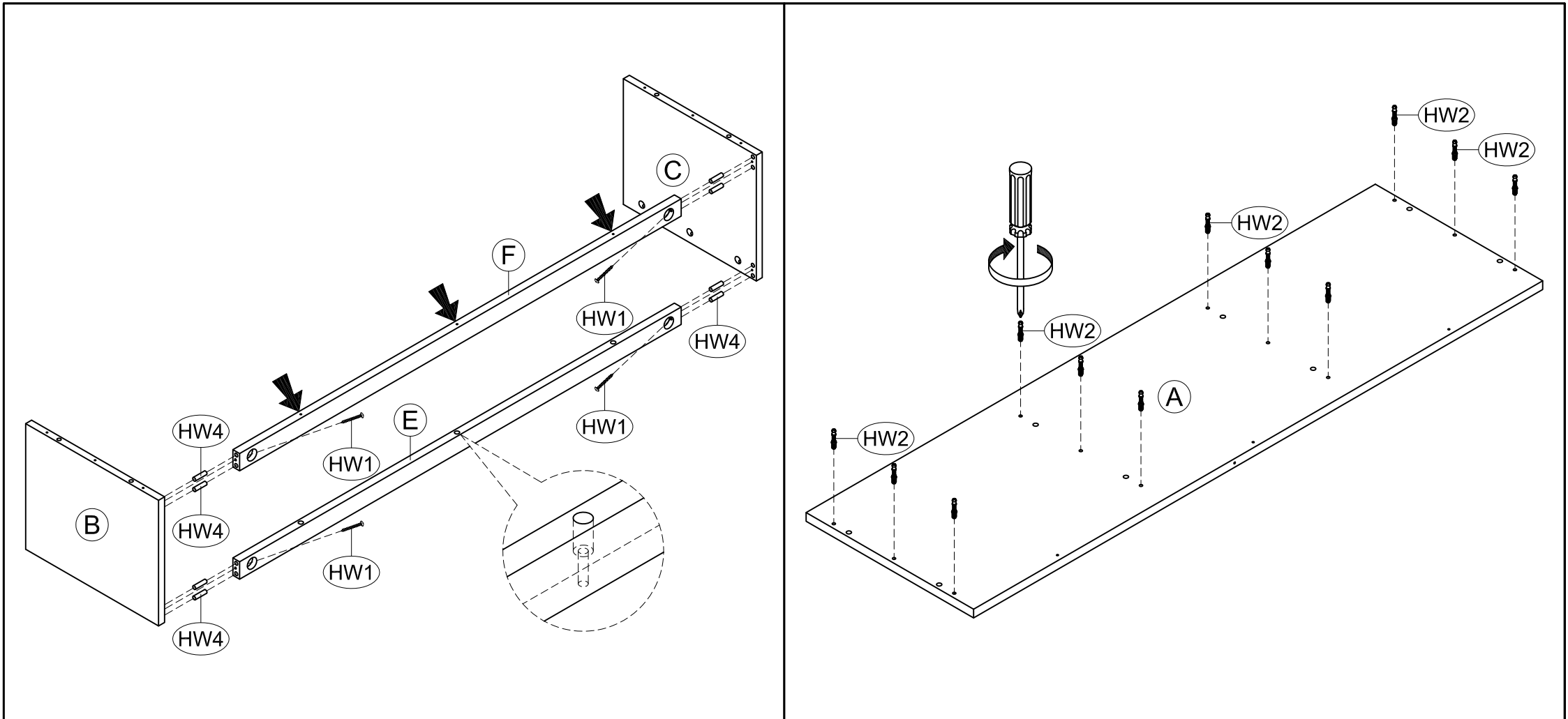
PREPARATION

Before beginning assembly of product, make sure all parts are present. Compare parts with package contents list and hardware contents list.

If any part is missing or damaged, do not attempt to assemble the product.

Estimated Assembly Time: 30 minutes.

Tools Required for Assembly : Phillips Screwdriver



STEP 1 ATTACH LEFT AND RIGHT PANELS TO BACK UPPER AND LOWER FRAMES USING 1 1/4" ROUND HEAD SCREWS AND WOODEN DOWELS.

STEP 2 ATTACH CAMBOLTS TO TOP PANEL.

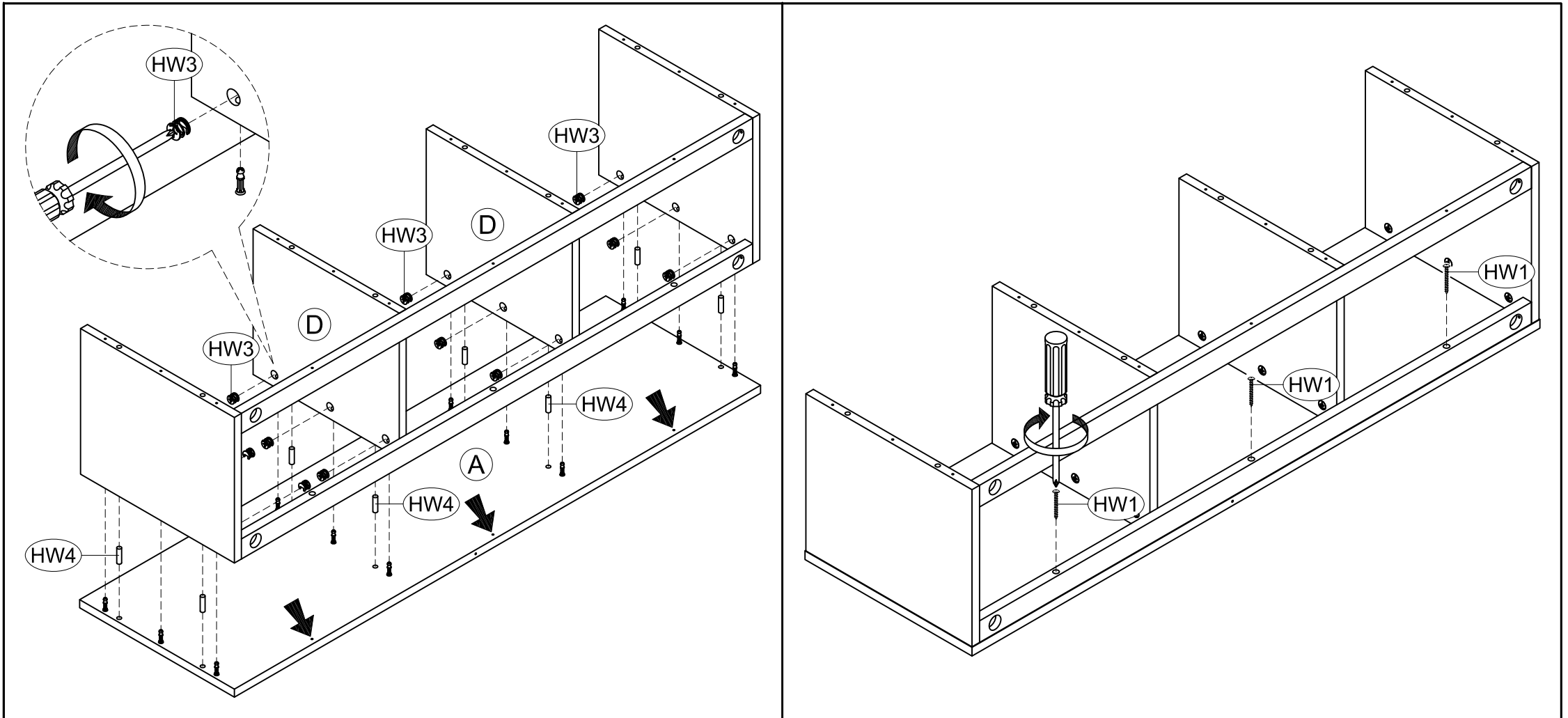
PREPARATION

Before beginning assembly of product, make sure all parts are present. Compare parts with package contents list and hardware contents list.

If any part is missing or damaged, do not attempt to assemble the product.

Estimated Assembly Time: 30 minutes.

Tools Required for Assembly : Phillips Screwdriver



STEP 3 ATTACH UNIT FROM STEP 1 AND DIVIDERS TO TOP PANEL USING CAMLOCKS AND WOODEN DOWELS.

STEP 4 ATTACH 1 1/4" ROUND HEAD SCREWS TO UNIT.

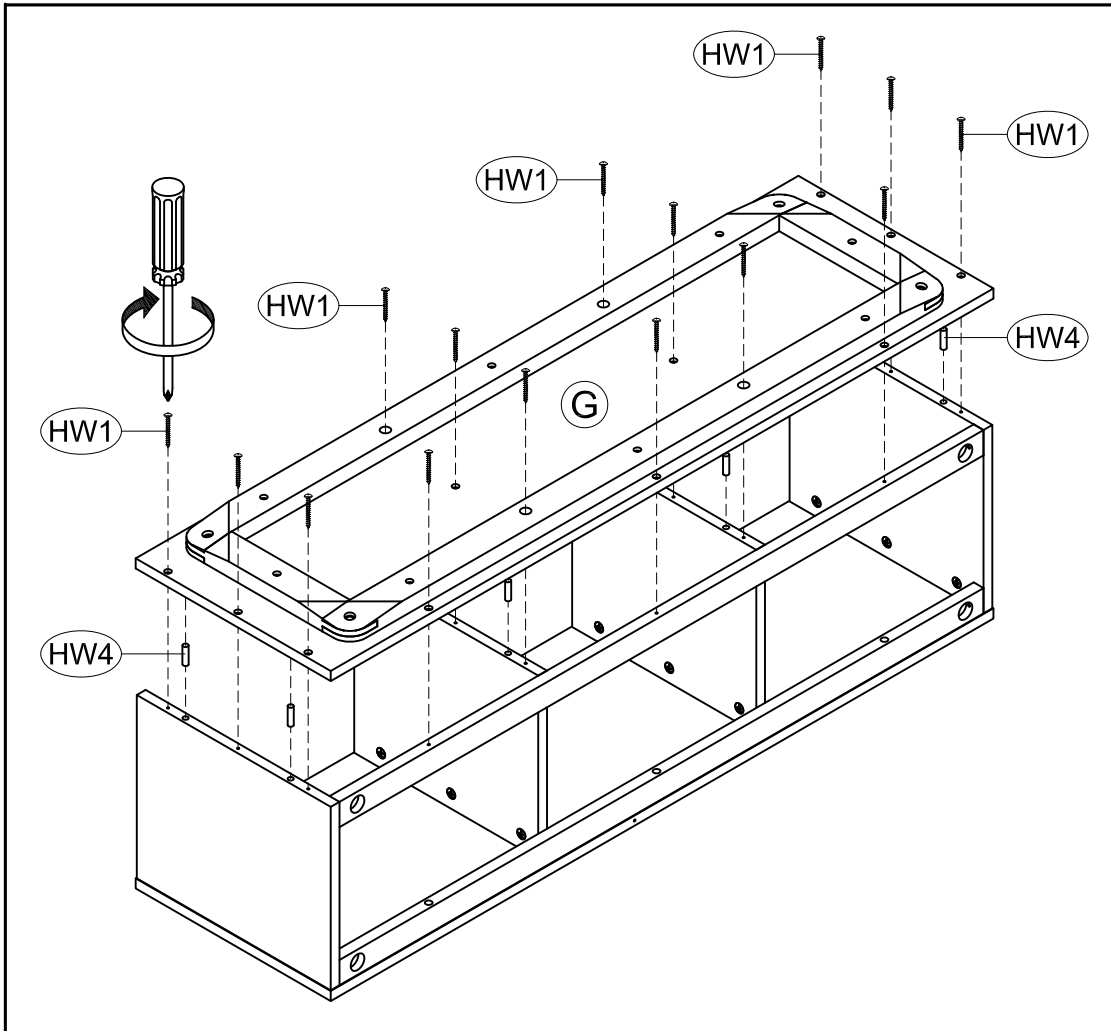
PREPARATION

Before beginning assembly of product, make sure all parts are present. Compare parts with package contents list and hardware contents list.

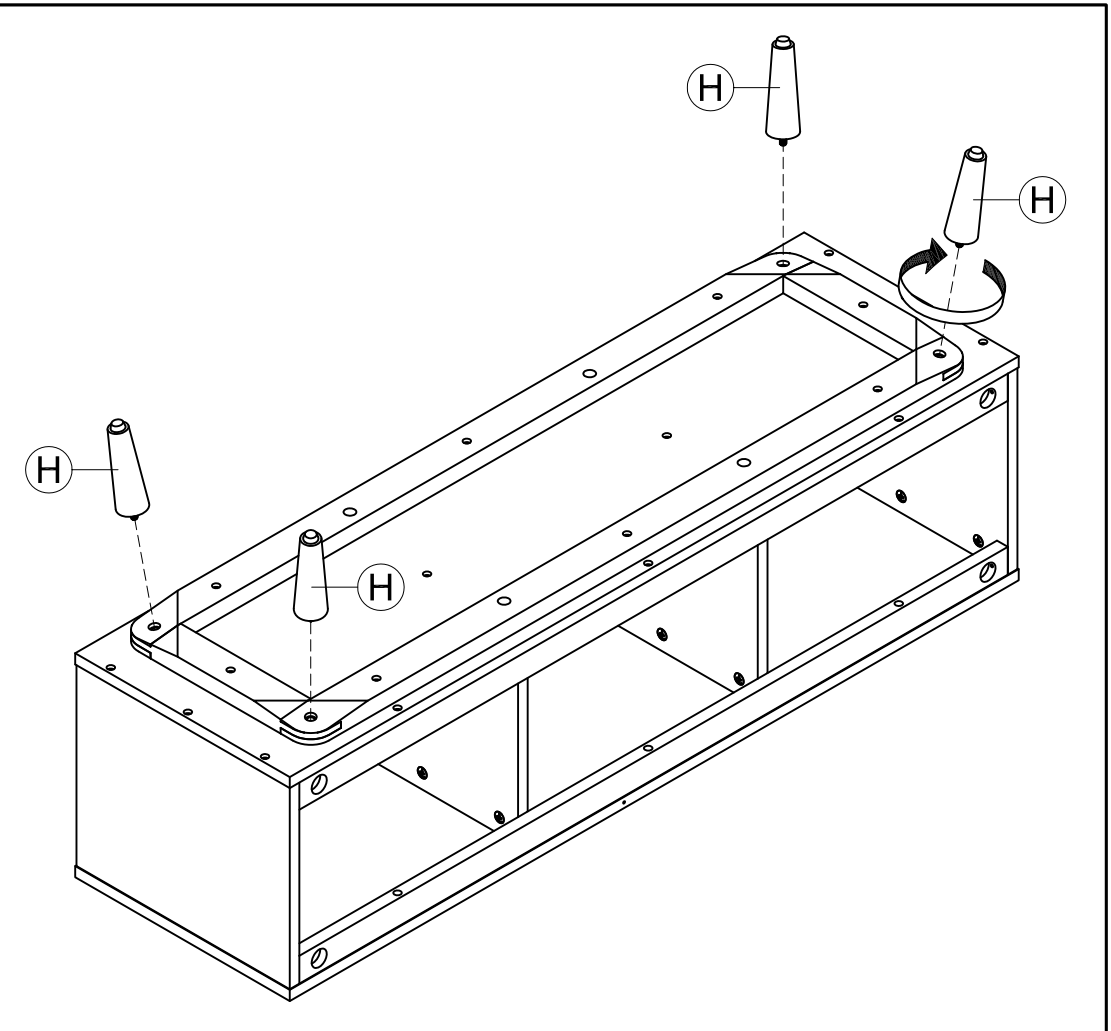
If any part is missing or damaged, do not attempt to assemble the product.

Estimated Assembly Time: 30 minutes.

Tools Required for Assembly : Phillips Screwdriver



STEP 5 ATTACH BASE ASSEMBLY TO UNIT USING 1 1/4" ROUND HEAD SCREWS AND WOODEN DOWELS.



STEP 6 ATTACH LEGS TO UNIT, THEN TIGHTEN.

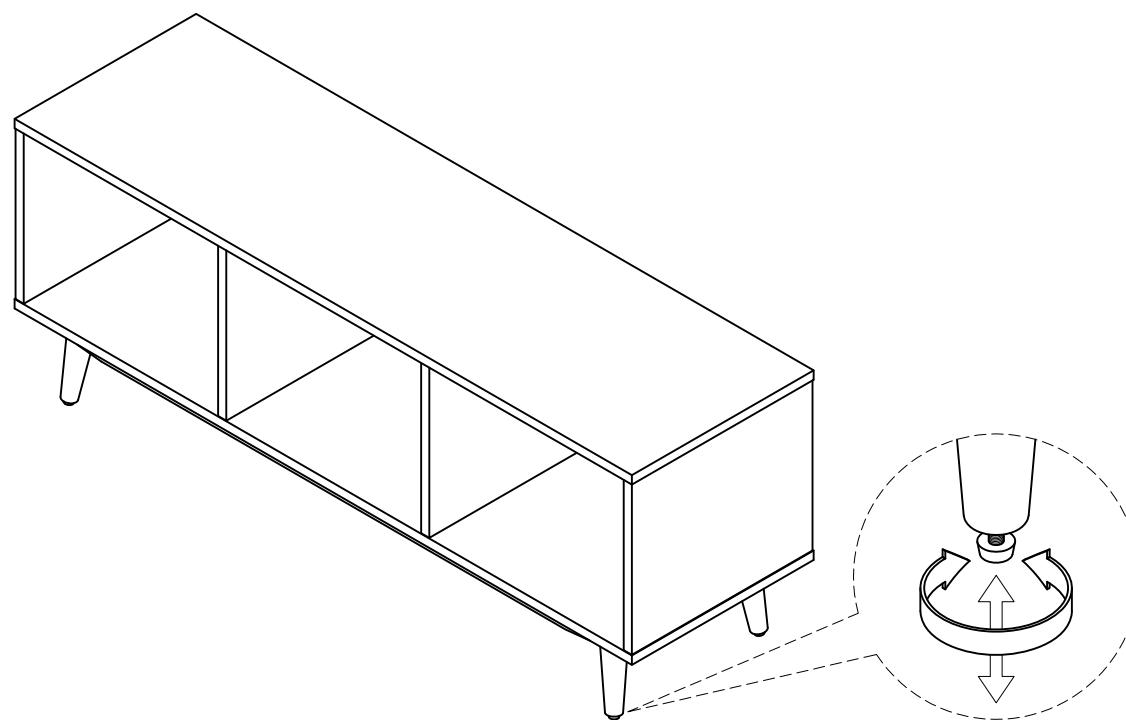
PREPARATION

Before beginning assembly of product, make sure all parts are present. Compare parts with package contents list and hardware contents list.

If any part is missing or damaged, do not attempt to assemble the product.

Estimated Assembly Time: 30 minutes.

Tools Required for Assembly : Phillips Screwdriver



STEP 7 ADJUST THE ADJUSTER BOLT THAT HAS ALREADY ASSEMBLED TO THE LEGS TO STABILIZE YOUR UNIT


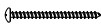



Tip-Over Restraint

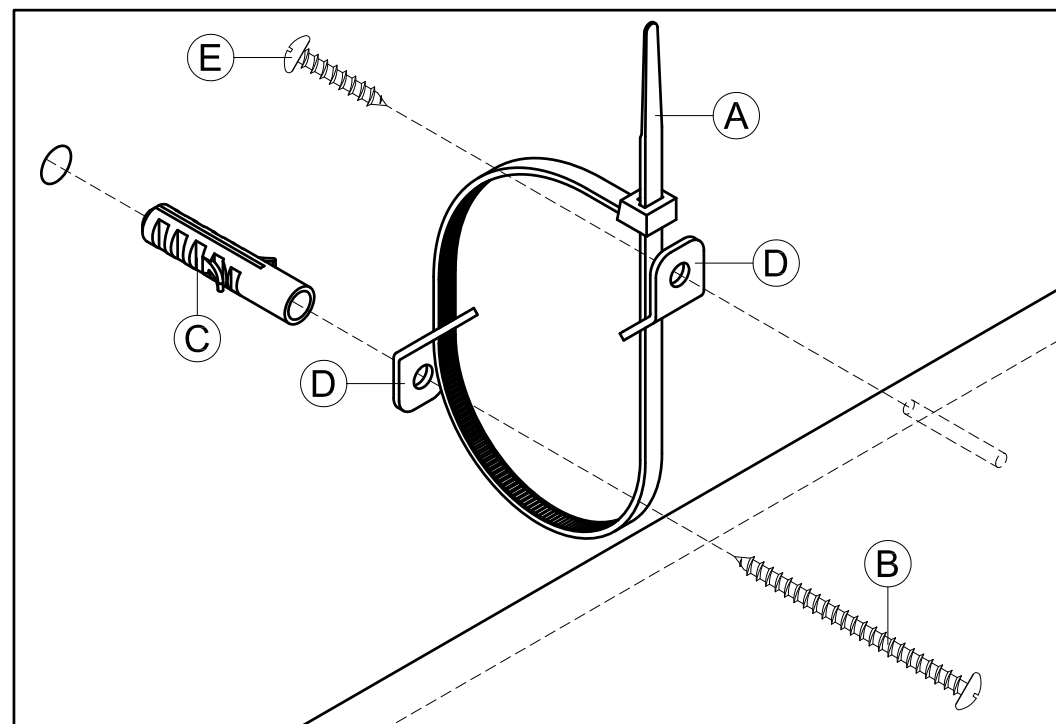
WARNING

Serious or fatal crushing injuries can occur from furniture tip over. To prevent tipover:

- * Install tipover restraint provided.
- * Place heaviest items in the lower drawers.
- * Unless specifically designed to accommodate, do not set TVs or other heavy objects on top of this product.
- * Never allow children to climb or hang on drawers, doors or shelves.
- * Never open more than one drawer at a time.
- * Do not defeat or remove the drawer interlock system.

Use of tipover restraints may only reduce, but not eliminate, the risk of tip over.

PIECE	DESCRIPTION	PICTURE	QUANTITY
A	NYLON STRAP		1X
B	LONG SCREW		1X
C	PLASTIC SCREW ANCHOR		1X
D	WALL BRACKET		2X
E	SHORT SCREW		1X



Assembly Steps :

1. Attach one mounting bracket "D" and secure to the back top edge of the furniture using the short screw "E".
2. Mark the location on the wall for mounting the second bracket "D". Create the appropriate sized hole in the wall and insert the plastic screw anchor "C". Secure the bracket to the wall using the long screw "B".
3. Place the furniture so the bracket on the back edge of unit is lined with the bracket on the wall.
4. Lace the end of the nylon strap "A" down through each of the bracket. Bring both ends together and slide the beaded end of the strap through the keyhole shaped slot on the other end. Pull down on the beaded end until it snap-locks into the keyhole.
5. Check to make sure the strap is securely laced and locked to the brackets.
6. Complete!