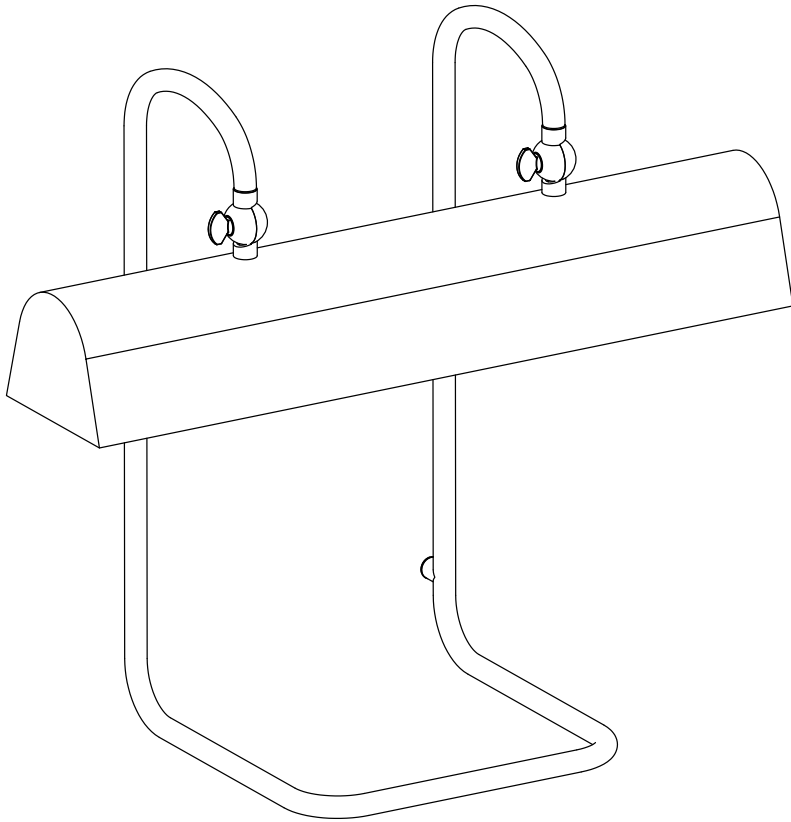
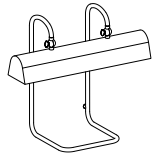



# ASSEMBLY & INSTALLATION INSTRUCTION

## MODEL: BENNO TABLE LAMP



ACCESSORIES LIST			
No.	Name	Image	Qty
1	LAMP BODY		1
2	BULB LED E26 T10-4 (Not included)		2

### ⓘ Attention

Read these instructions carefully and keep for future reference. Refer to parts inventory for guidance, and ensure you have all pieces before starting.

When assembling, place all parts on a soft, clean, and flat surface such as a carpet to prevent scratches.

### ⚠ WARNING

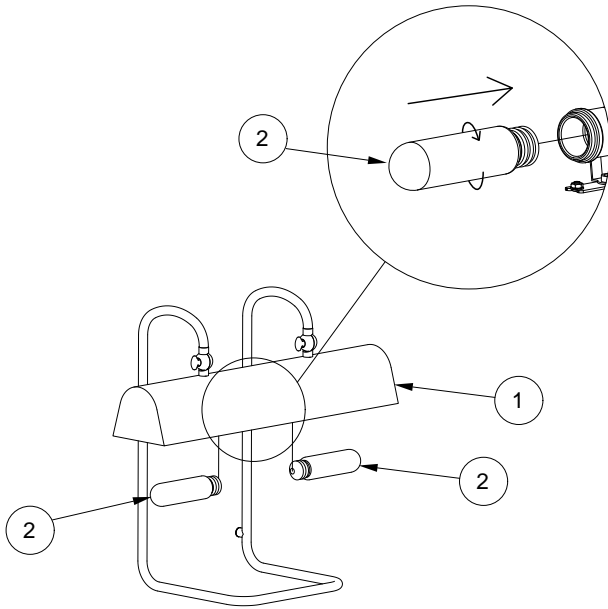
All wires are connected. When unpacking, be careful not to pull wires, as a bad connection may result. Do not connect electricity until your fixture is fully assembled. To reduce the risk of fire, electrical shock, or personal injury, always turn off fixture and allow it to cool prior to replacing the lightbulb. Do not touch or look directly at the bulb when fixture is illuminated. Keep flammable materials away from lit bulb.

THIS PRODUCT IS NOT A TOY AND HAS NO PLAY VALUE.

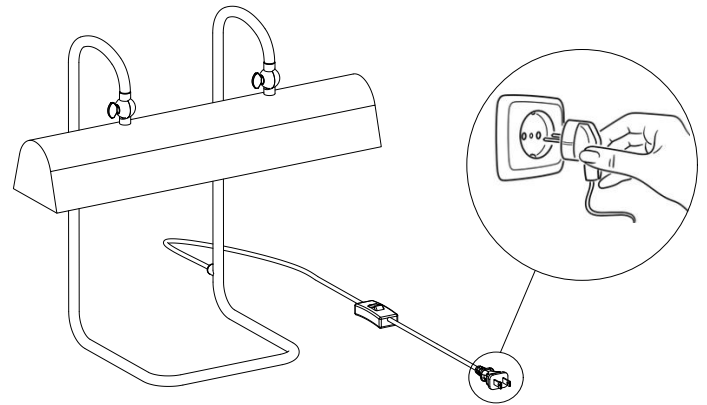
# ASSEMBLY & INSTALLATION INSTRUCTION

## MODEL: BENNO TABLE LAMP

- 1** Insert BULB LED E26 T10-4(2) to socket on LAM BODY(1) and twist it to secure it in place



- 2** Connect your lamp to power source. Ensure the power cable is securely connected to a compatible outlet.



- 3**
- Twist the key head on top of LAMP SHADE to open or lock the rotary of LAMP SHADE

