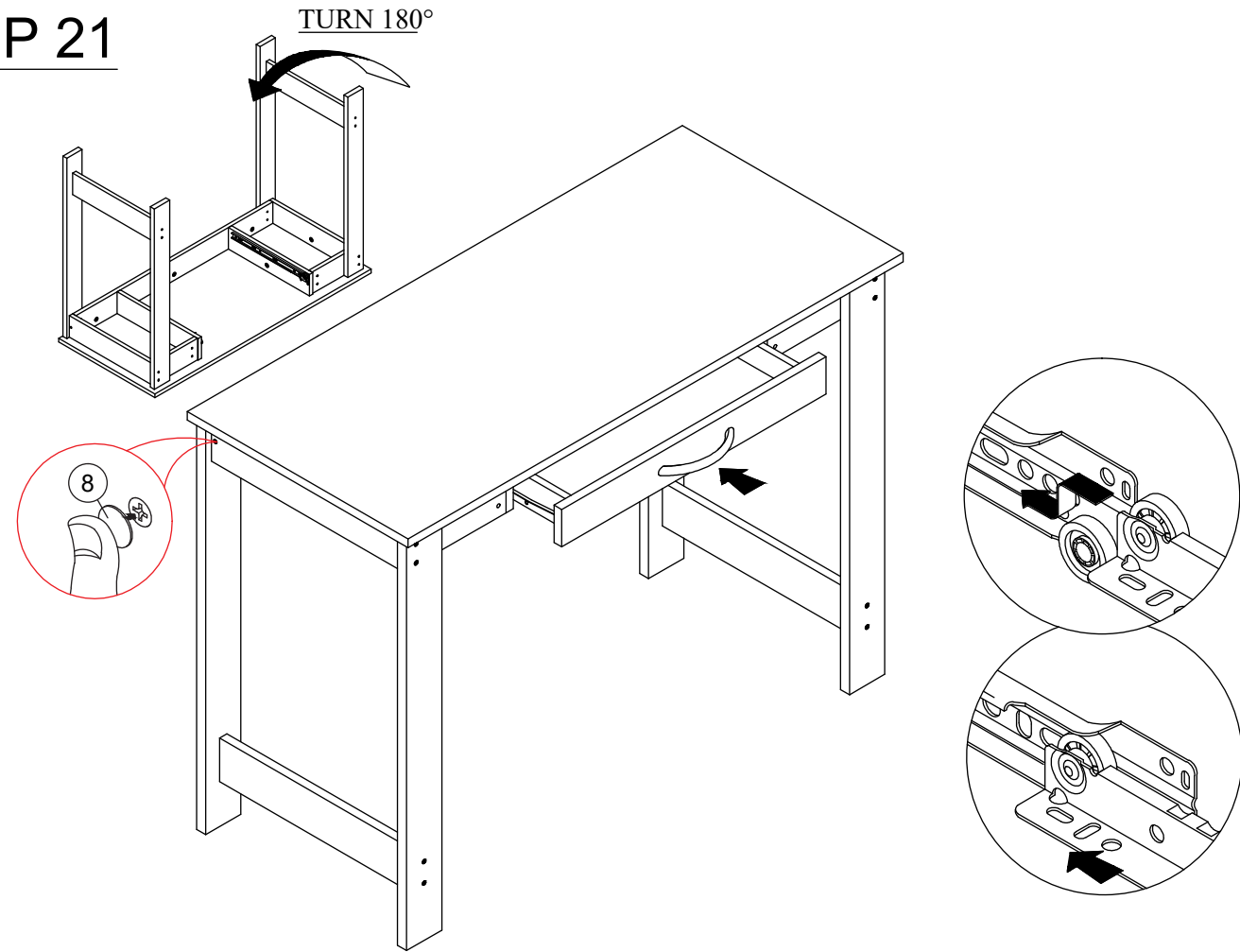
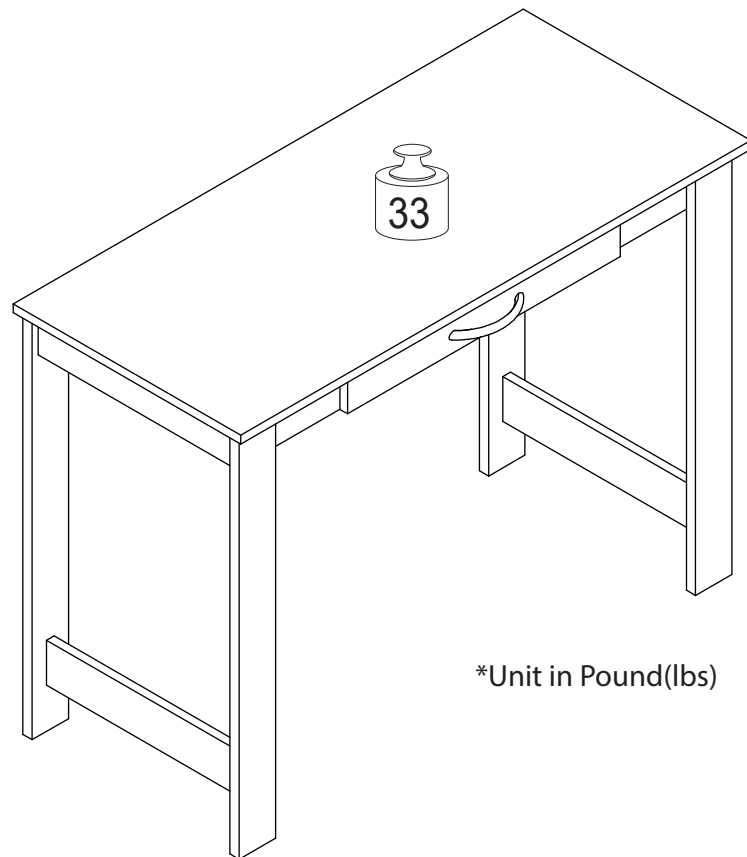


STEP 21



Recommended Maximum Weight



*Unit in Pound(lbs)

WARNING:

>This unit has been designed to support the maximum loads shown. Exceeding these load limits could cause sagging, instability, product collapse, and/or serious injury.

>DO NOT allow children to climb on unit.

>Put heavier items on lower shelves.

Assembly Instruction

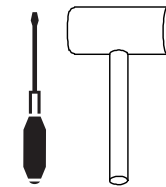
Writing Desk with Drawer

00:50

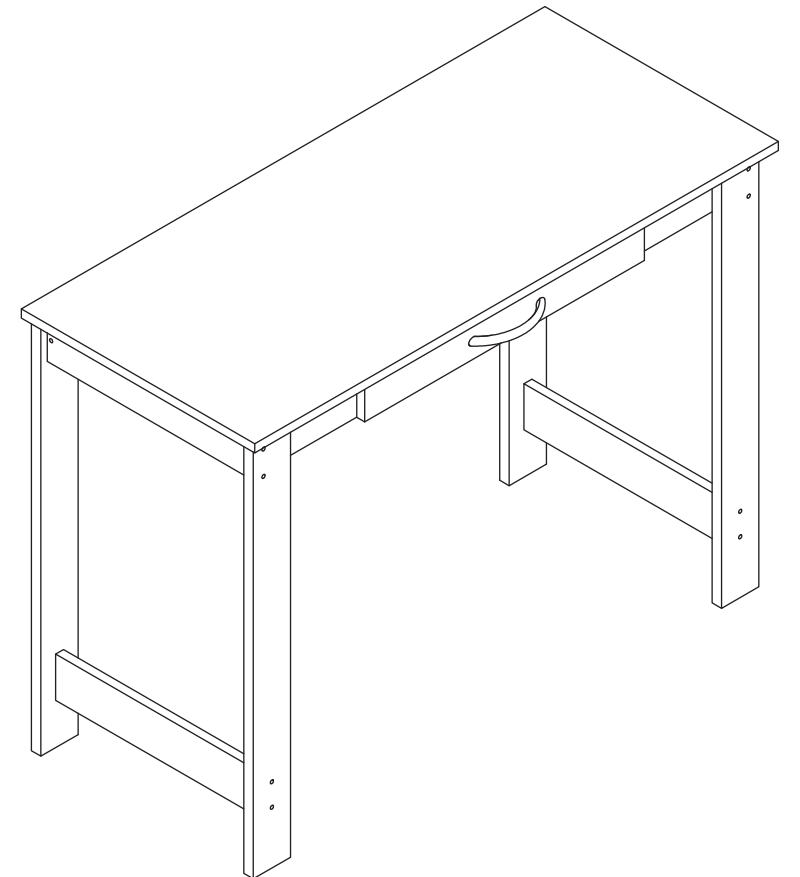
Approx. 50 minutes



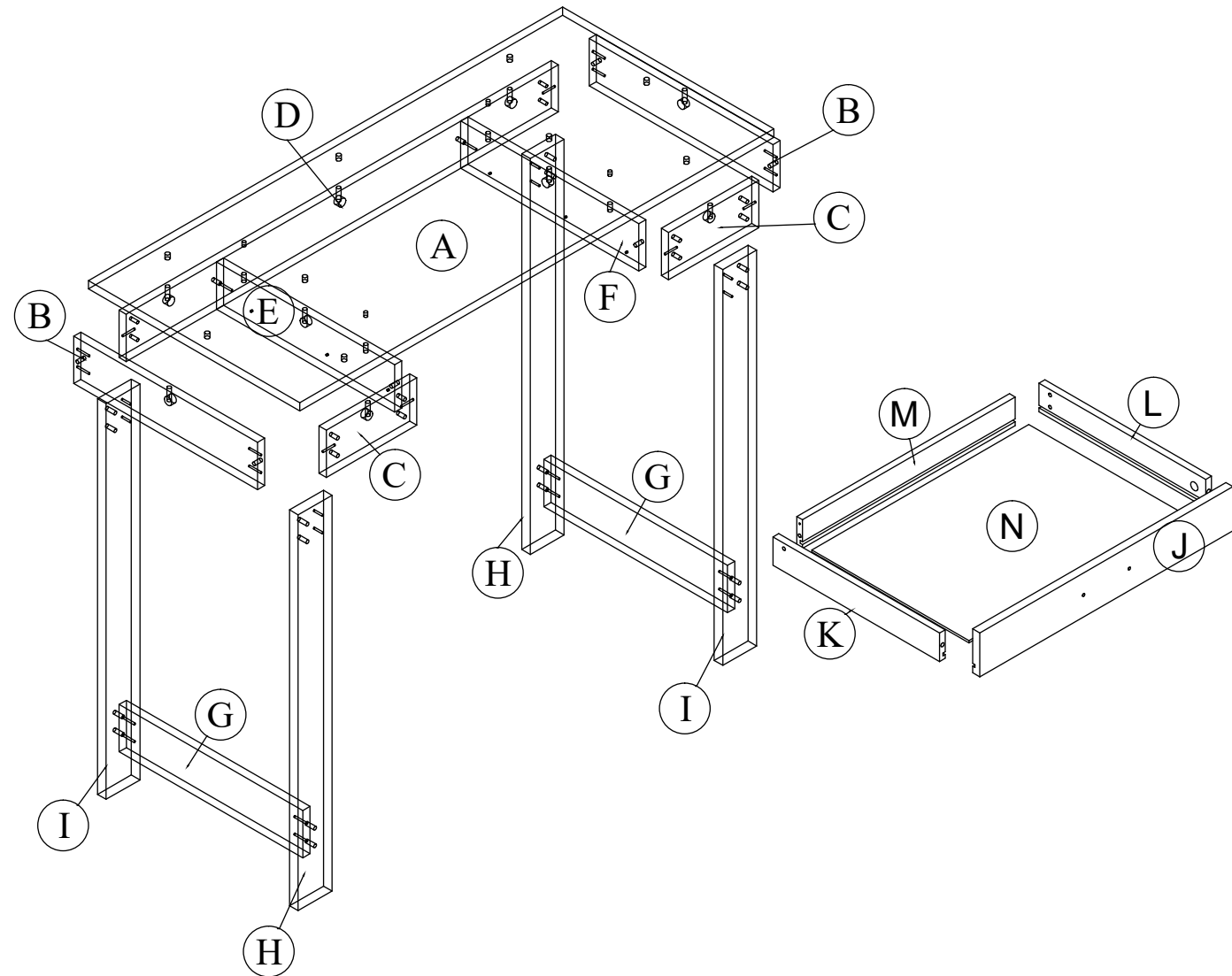
Recomm. 2 Person



Tool Required



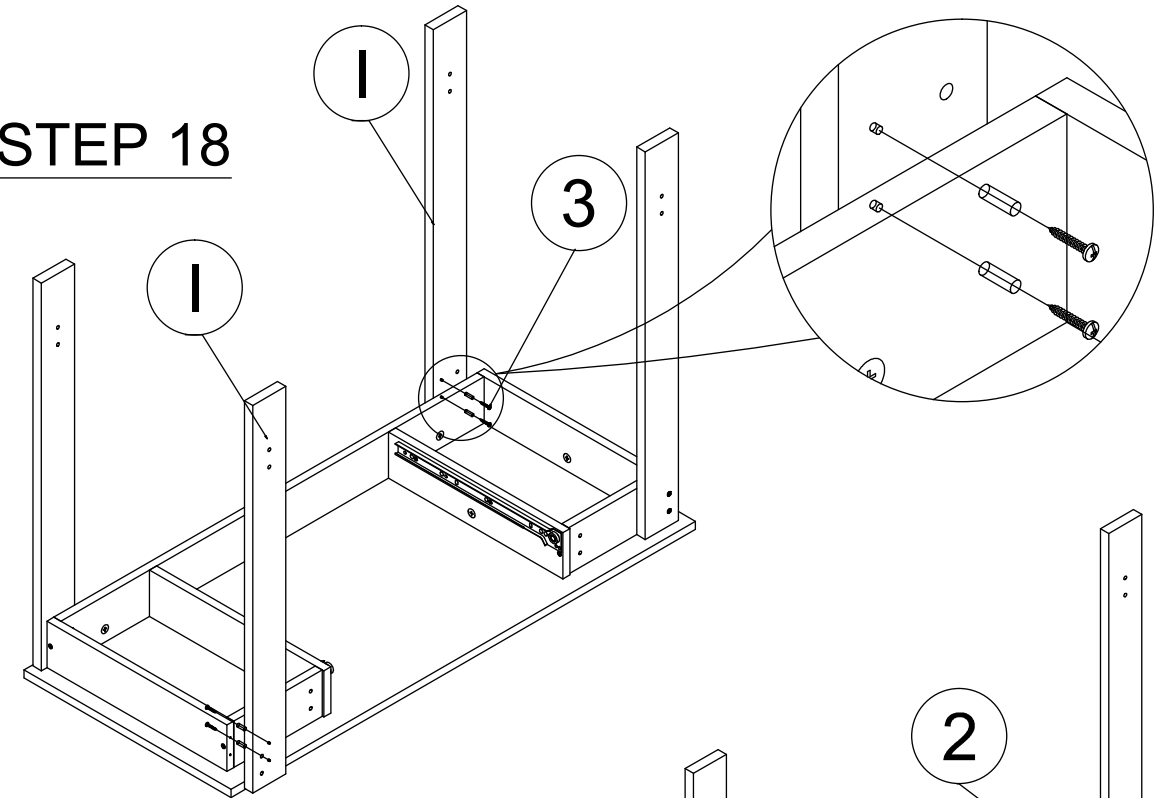
EXPLODED VIEW



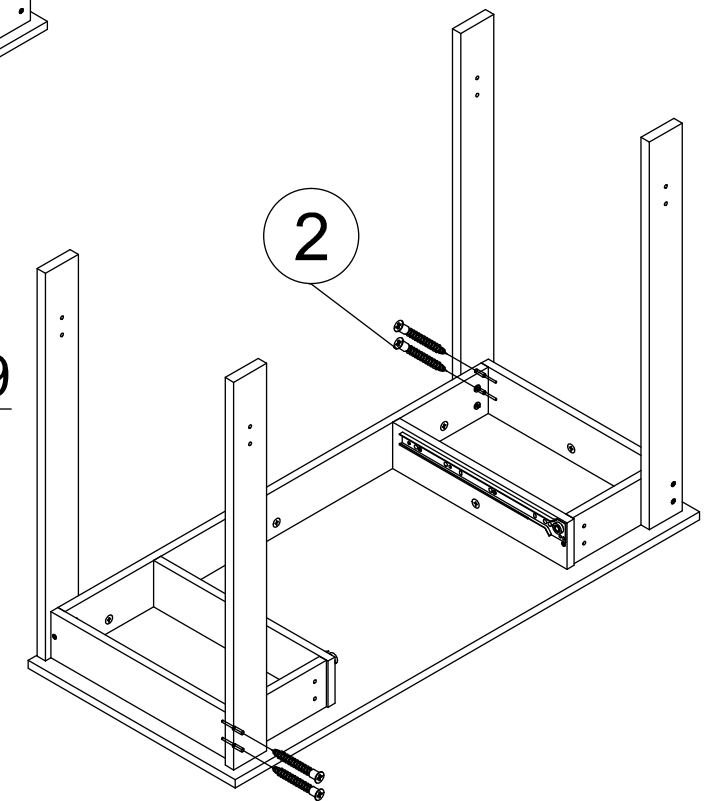
USEFUL HINTS BEFORE YOU START:

1. Read each step carefully before starting.
2. It is important that each step is performed in correct order to avoid difficulties.
3. Identify, soft and count the parts before assembly.
4. Assemble your furniture on packaging cardboard to prevent scratch or damage.
5. Clean the product with mild cleanser using soft damp cloth. Do not use harsh or abrasive cleanser.
6. Using incompatible hardware might cause damage to product.

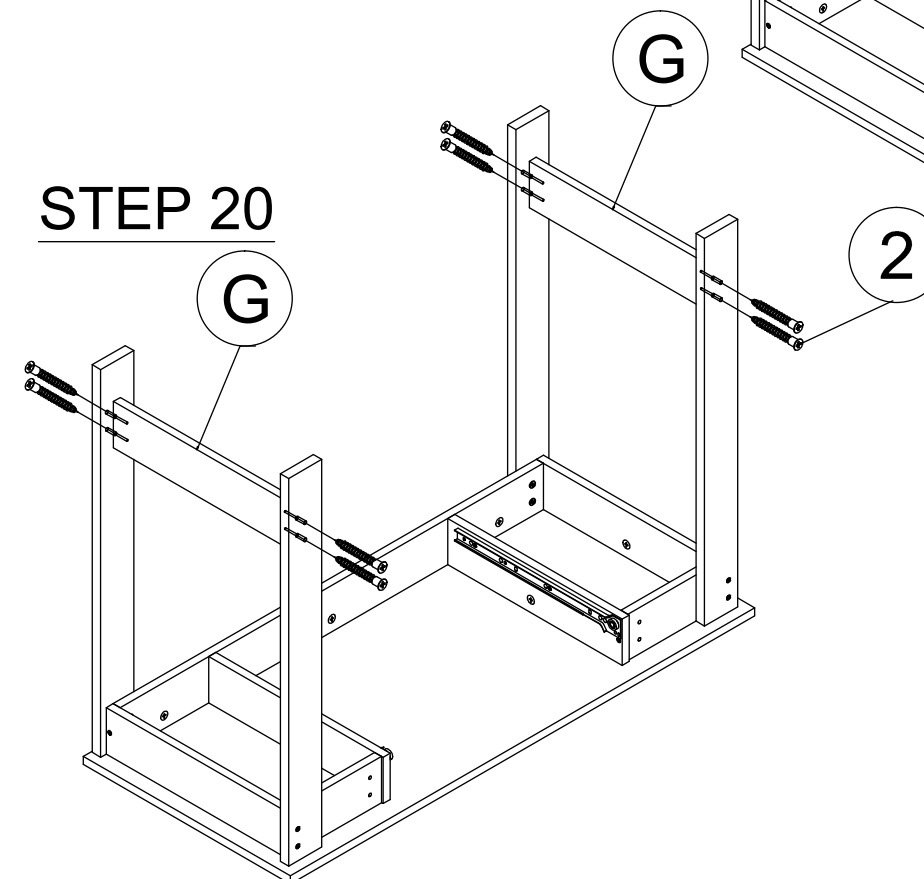
STEP 18



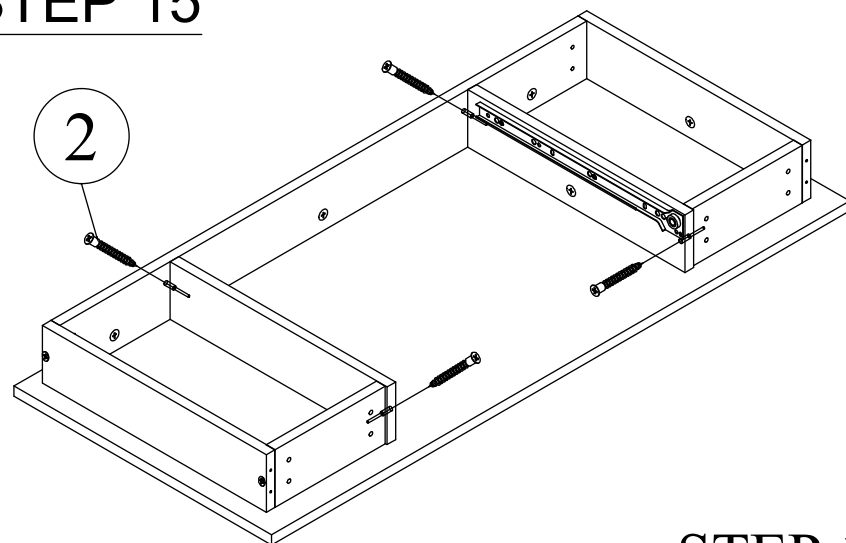
STEP 19



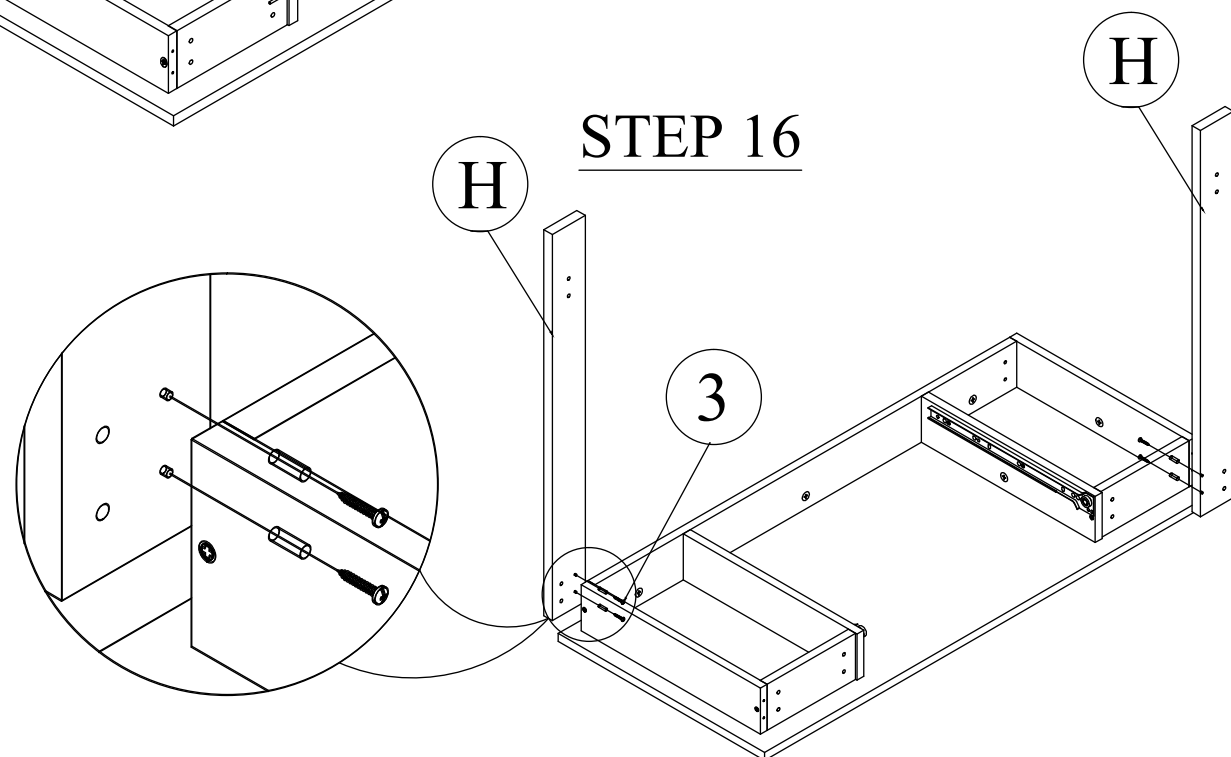
STEP 20



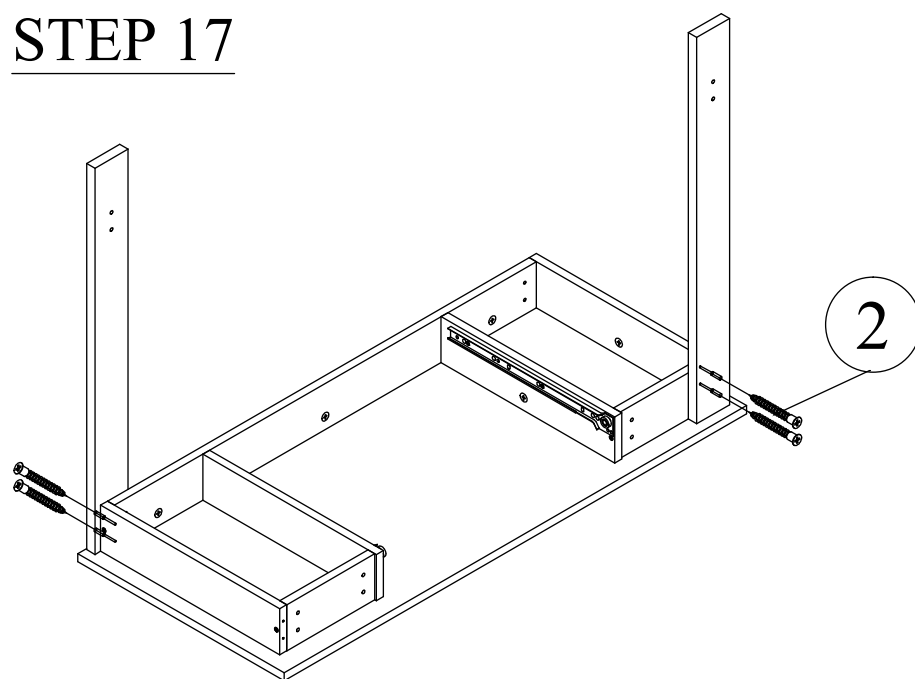
STEP 15



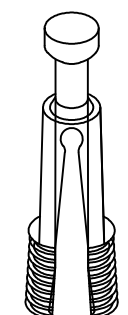
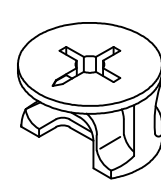
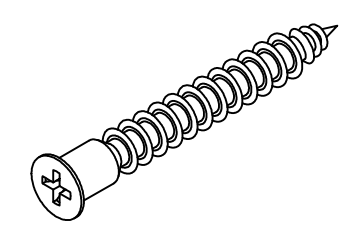


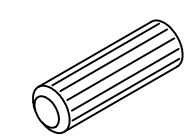
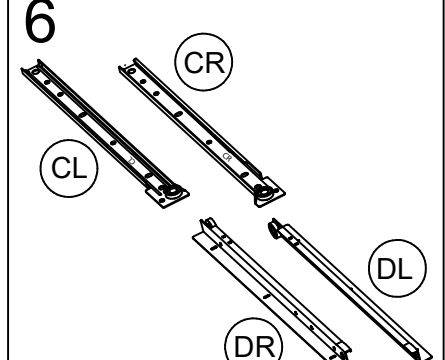
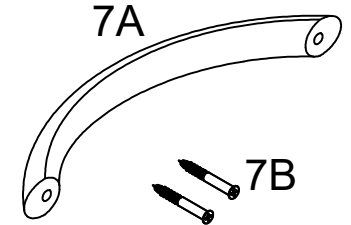
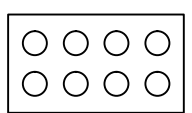
STEP 16



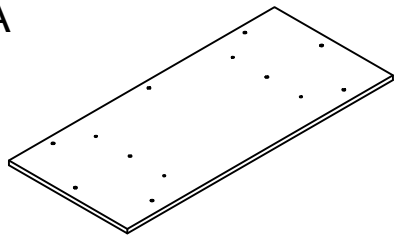
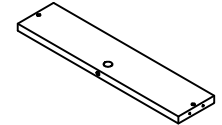
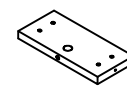
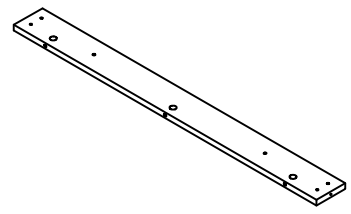
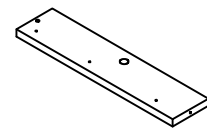
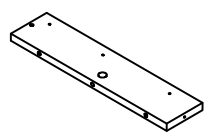
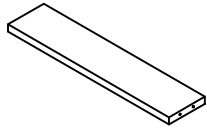
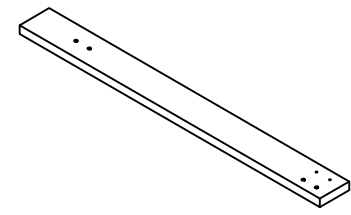
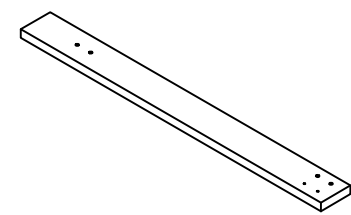
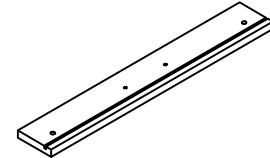
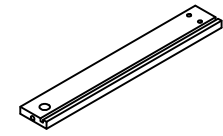
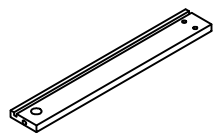
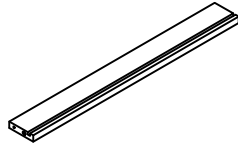
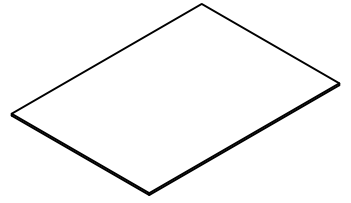
STEP 17



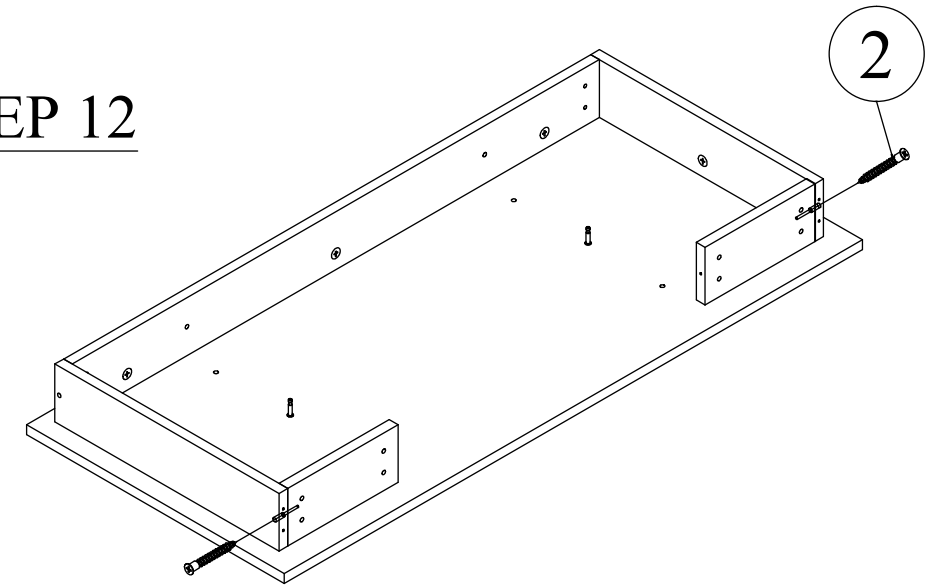
HARDWARE LIST

<p>1A</p> 	<p>1B</p> 	<p>2</p> 
<p>CAM-LOCK PILLAR 11 PCS</p>	<p>CAM-LOCK NUT 11 PCS</p>	<p>LARGE SCREW 26 PCS</p>
<p>3</p> 	<p>4</p> 	<p>5</p> 
<p>MEDIUM SCREW 8 PCS</p>	<p>SMALL SCREW 10 PCS</p>	<p>DOWEL 6 PCS</p>
<p>6</p> 	<p>7</p> 	<p>8</p> 
<p>DRAWER SLIDE 1 SET</p>	<p>HANDLE + SCREW 1 SET</p>	<p>STICKER 26 PCS</p>

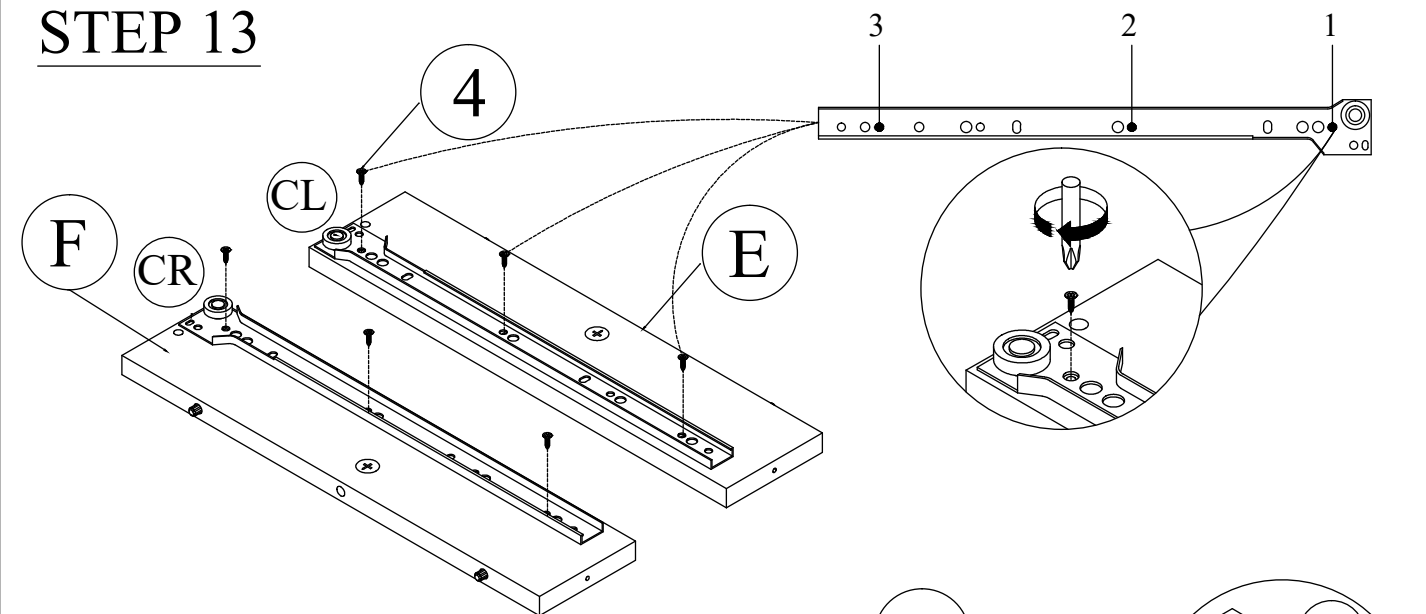
PARTS LIST

		
TOP PANEL 1 PC	SIDE SUPPORT PANEL 2 PCS	FRONT SUPPORT PANEL 2 PCS
		
BACK SUPPORT PANEL 1 PC	CENTER LEFT SIDE SUPPORT PANEL 1 PC	CENTER RIGHT SIDE SUPPORT PANEL 1 PC
		
LEG SUPPORT PANEL 2 PCS	LEG 1 PANEL 2 PCS	LEG 2 PANEL 2 PCS
		
DRAWER FACE PANEL 1 PC	DRAWER LEFT SIDE PANEL 1 PC	DRAWER RIGHT SIDE PANEL 1 PC
		
DRAWER BACK PANEL 1 PC	DRAWER BASE PANEL 1 PC	

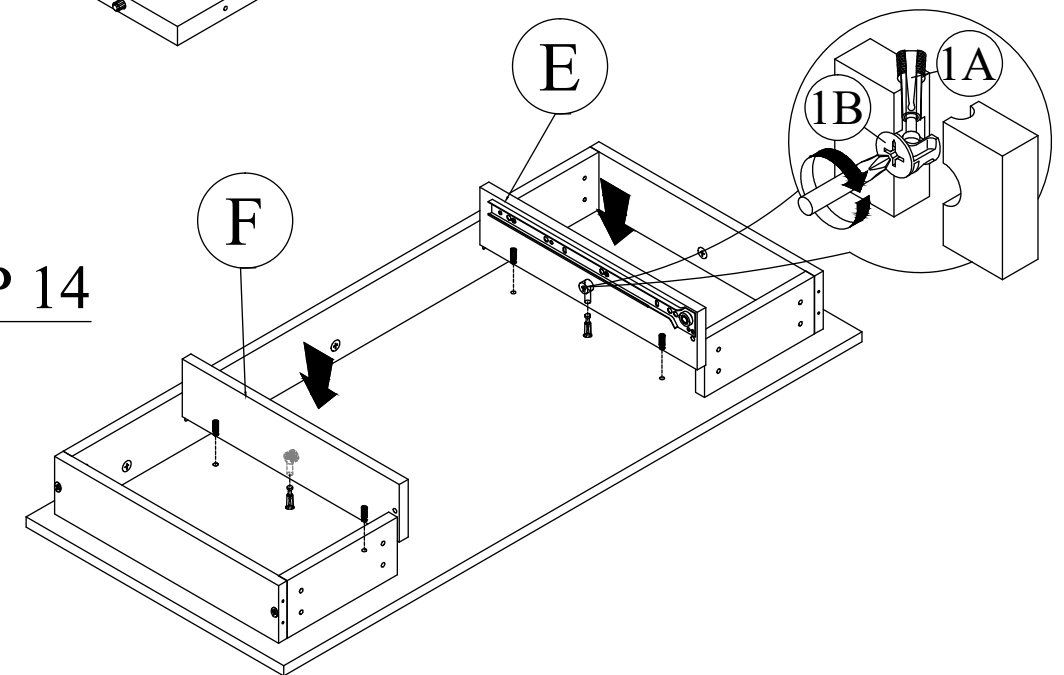
STEP 12



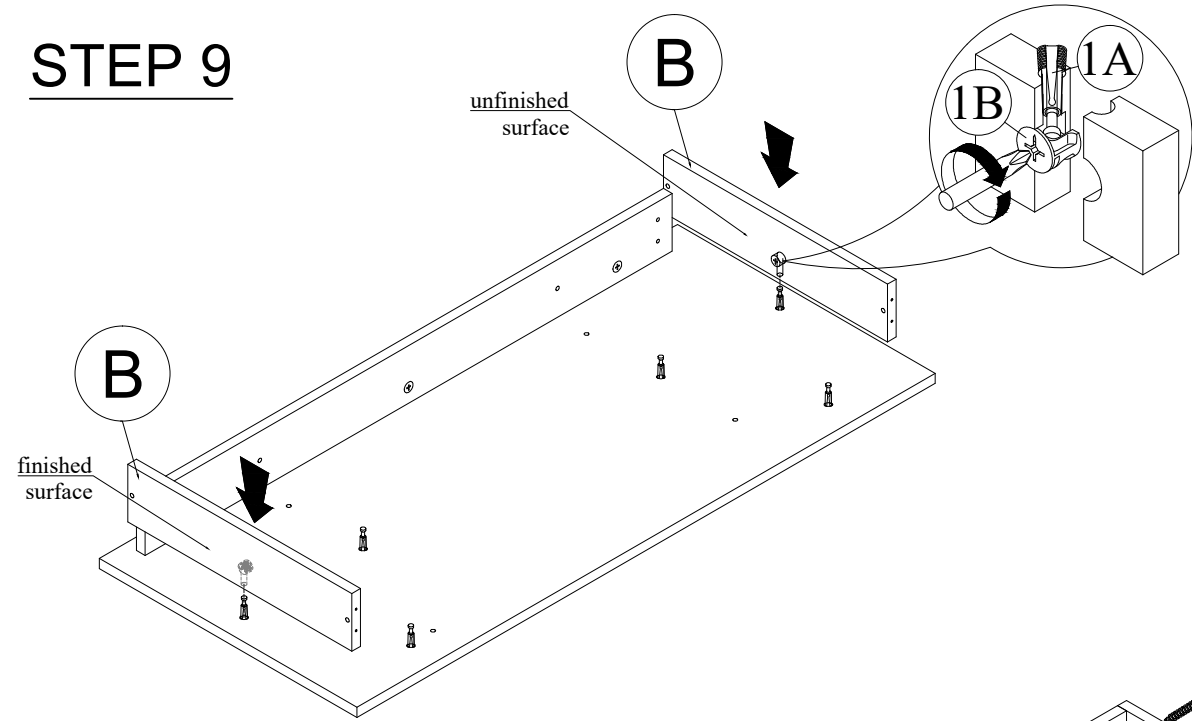
STEP 13



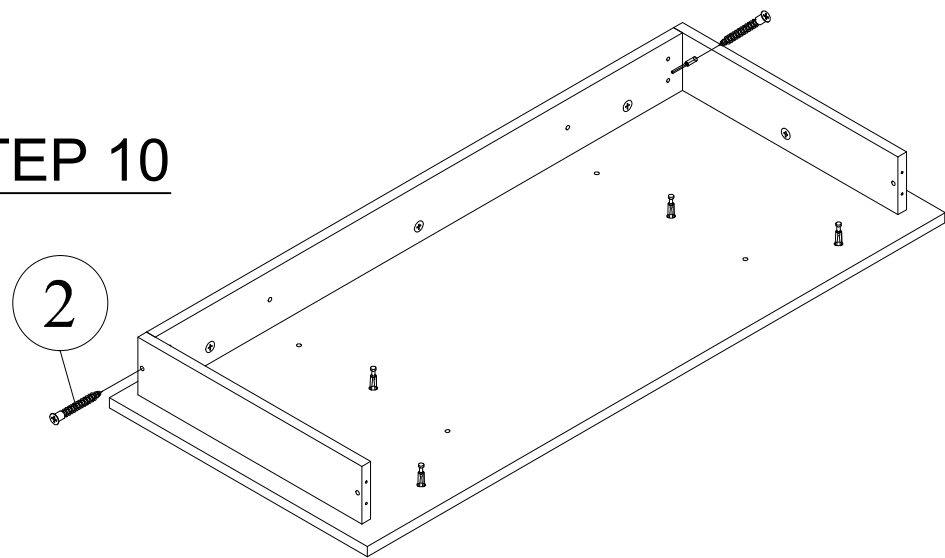
STEP 14



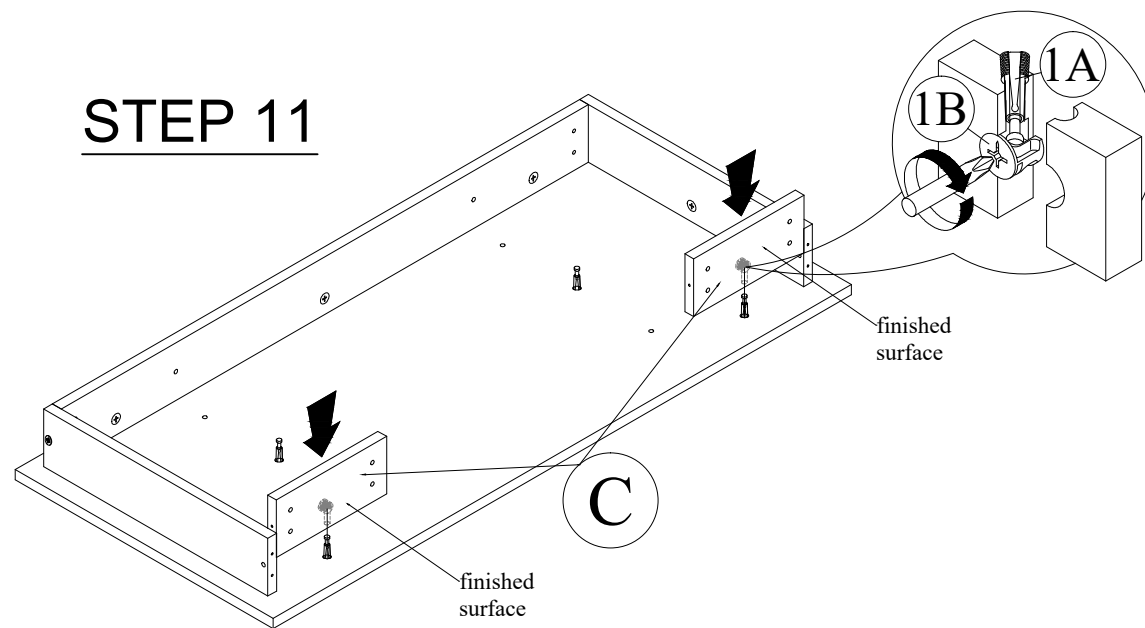
STEP 9



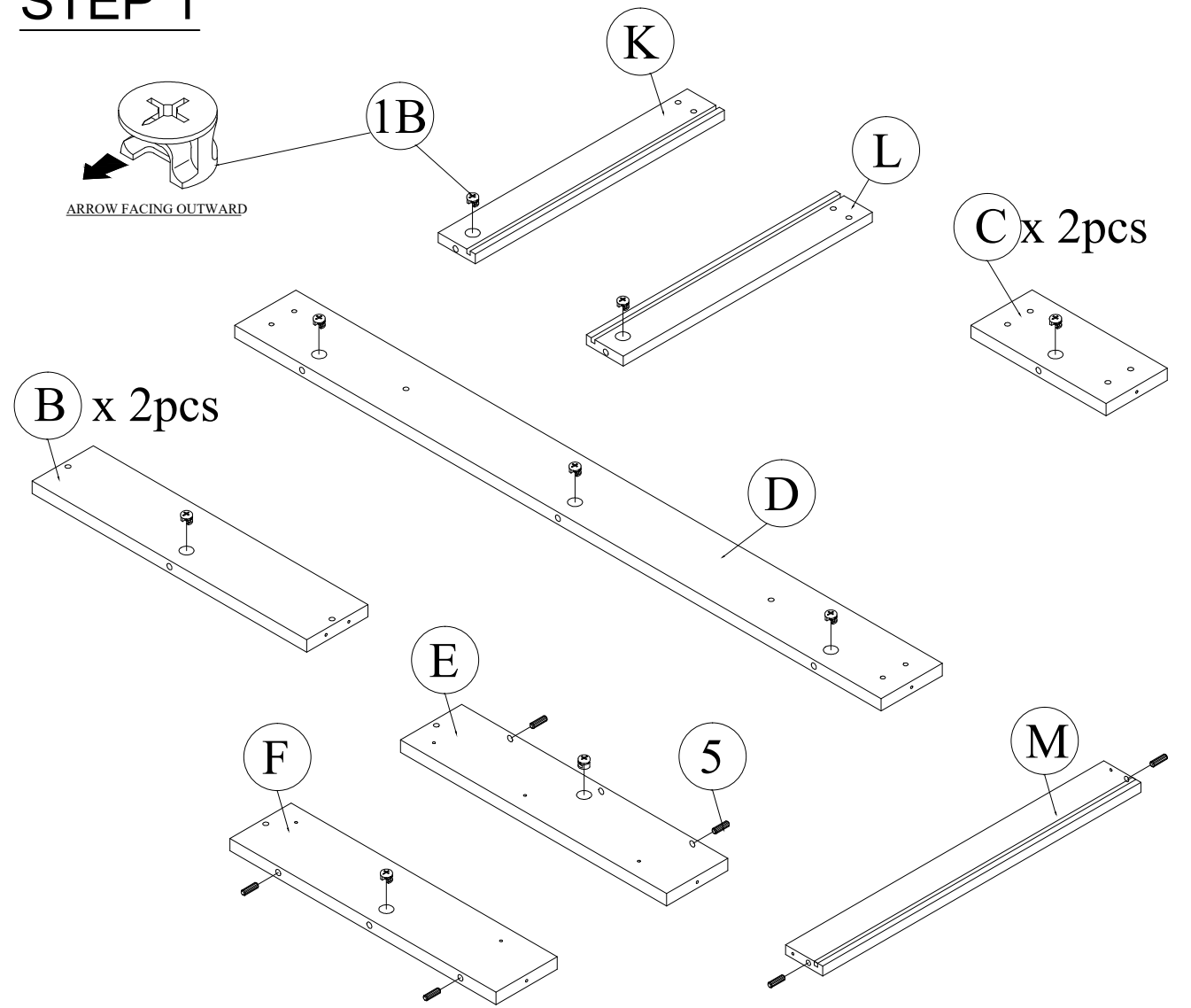
STEP 10



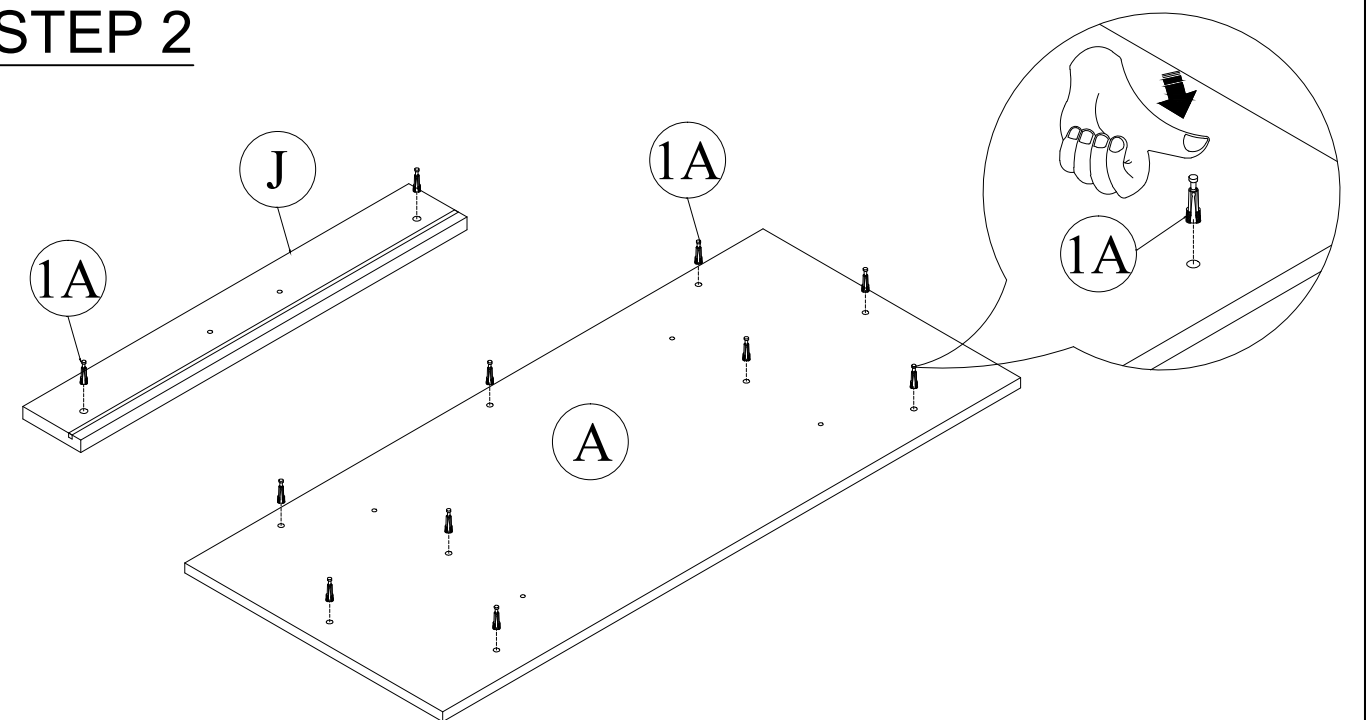
STEP 11



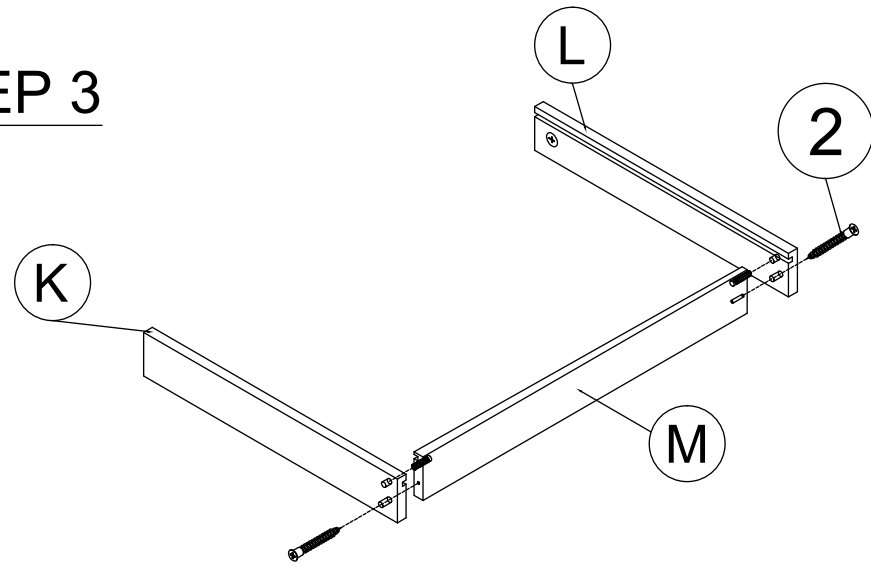
STEP 1



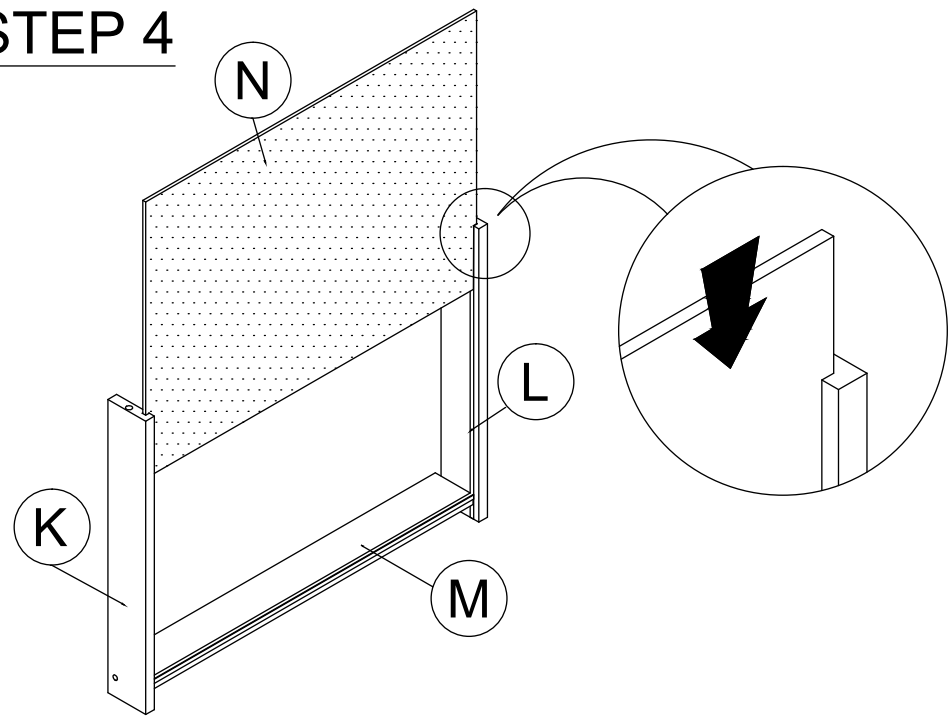
STEP 2



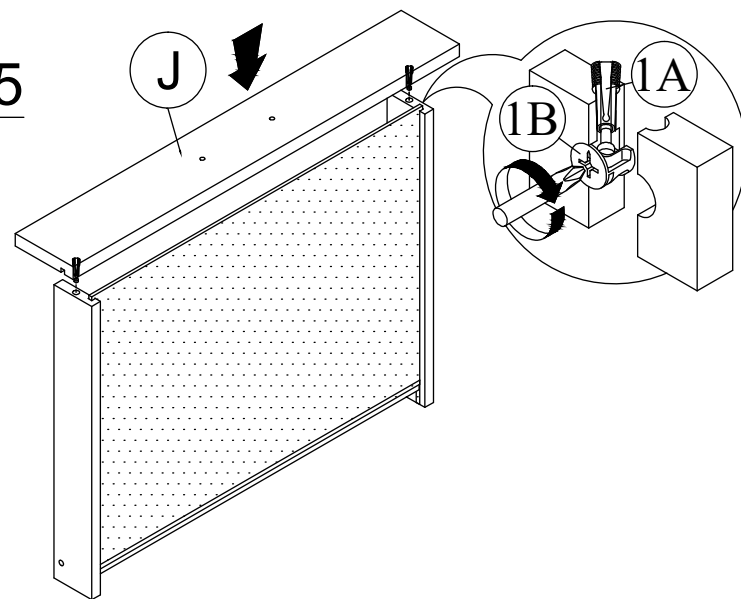
STEP 3



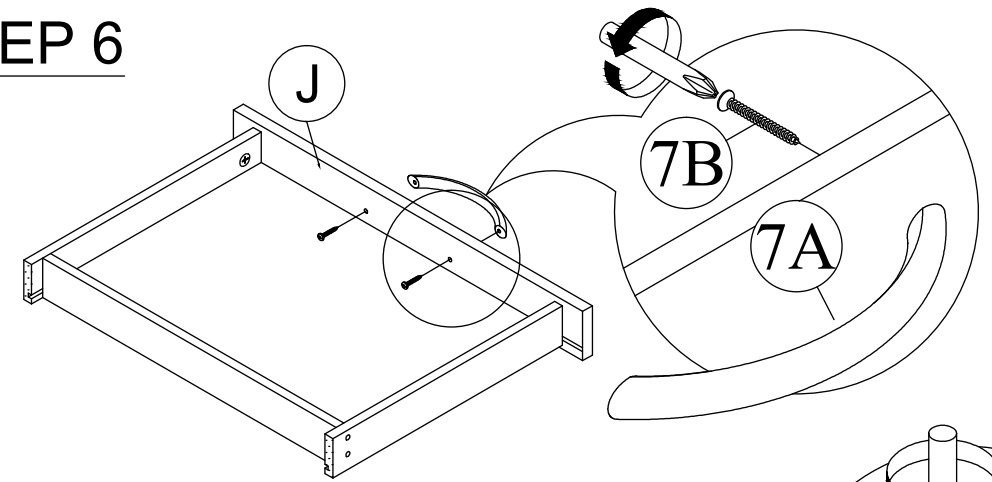
STEP 4



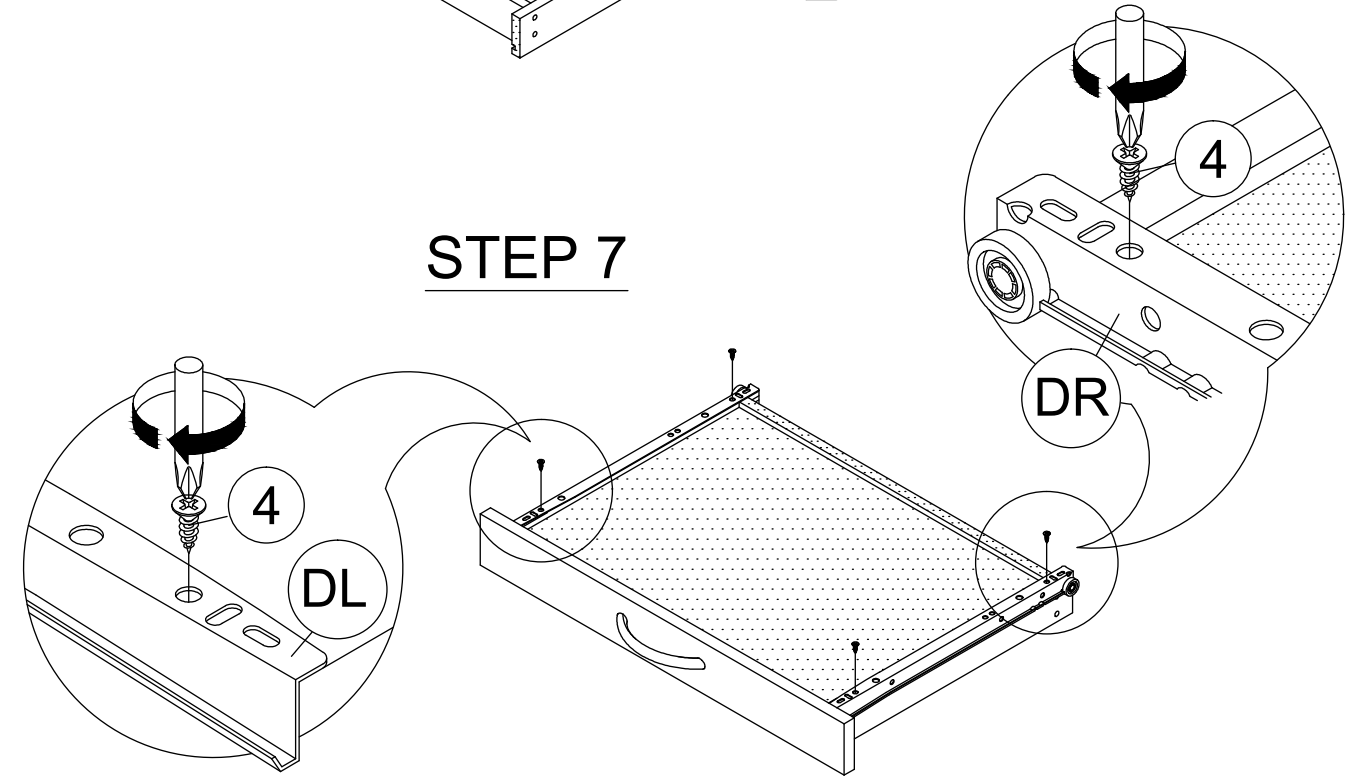
STEP 5



STEP 6



STEP 7



STEP 8

