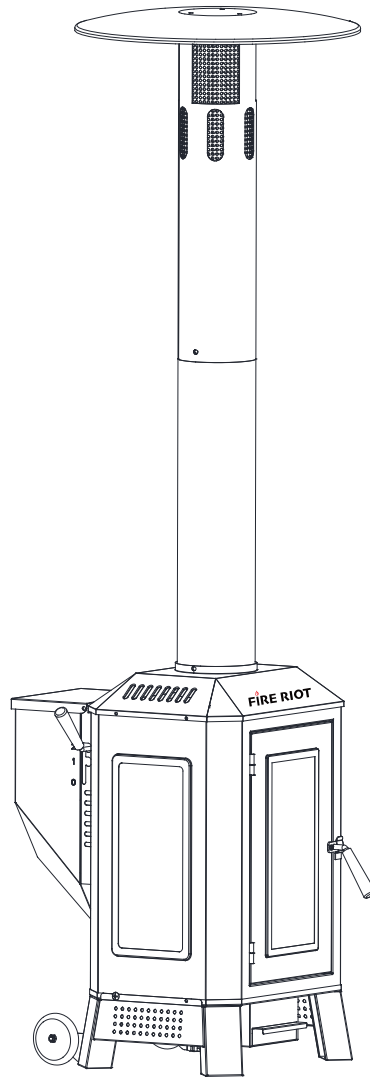



# FIRE RIOT

**OUTDOOR WOOD PELLET  
PATIO HETER  
ITEM:PH200**



## WARNING

 **FOR OUTDOOR USE ONLY**

 **PLEASE READ THIS ENTIRE MANUAL BEFORE INSTALLATION AND USE OF THIS PELLET FUEL BURNING APPLIANCE. FAILURE TO FOLLOW THESE INSTRUCTIONS COULD RESULT IN PROPERTY DAMAGE, BODILY INJURY OR EVEN DEATH . CONTACT LOCAL BUILDING OR FIRE OFFICIALS ABOUT RESTRICTIONS AND INSTALLATION INSPECTION REQUIREMENTS IN YOUR AREA.**

## **CALIFORNIA PROPOSITION 65 WARNING**

This product can expose you to chemicals, including carbon monoxide, which are known to the State of California to cause birth defects or other reproductive harm.

For more information go to [www.P65Warnings.ca.gov](http://www.P65Warnings.ca.gov)

# IMPORTANT SAFETY WARNINGS

WE WANT YOU TO ASSEMBLE AND USE YOUR HEATER AS SAFELY AS POSSIBLE.

THE PURPOSE OF THIS SAFETY ALERT SYMBOL



IS TO ATTRACT YOUR ATTENTION TO POSSIBLE HAZARDS AS YOU ASSEMBLE AND USE YOUR HEATER.

WHEN YOU SEE THE SAFETY ALERT SYMBOL, PAY CLOSE ATTENTION TO THE INFORMATION WHICH FOLLOWS!

-  **READ ALL SAFETY WARNINGS AND INSTRUCTIONS CAREFULLY BEFORE ASSEMBLING AND OPERATING YOUR HEATER.**

## **WARNING**

1. Improper installation, adjustment, service or maintenance can cause injury or property damage.
2. Read all instructions and guidelines carefully and thoroughly before installation, use or service.
3. Failure to follow these instructions could result in fire.

## **WARNING**

Maintain a safe distance away from the heater as it is extremely hot during operation. Children and pets should be supervised at all times when the heater is lit.

## **DANGER**

-  **NOT for use in or on boats or recreation vehicles.**

## **DANGER**



1. Do not store or use gasoline, liquid propane or any other flammable vapors or liquids in the vicinity of this appliance

**A MAJOR CAUSE OF FIRES IS FAILURE TO MAINTAIN REQUIRED CLEARANCES (AIR SPACES TO COMBUSTIBLE MATERIALS). IT IS OF UTMOST IMPORTANCE THAT THIS PRODUCT BE INSTALLED ONLY IN ACCORDANCE WITH THESE INSTRUCTIONS.**

## TABLE OF CONTENTS:

General Warnings .....	3-4
Operating the Heater .....	4-5
Proper Care and Maintenance .....	6
Transporting and Storage .....	6
Assembly Instructions .....	7-15
Warranty Information .....	Back Cover

- ⚠ DANGER:** Indicates an imminently hazardous situation which, if not avoided, will result in death or serious injury.
- ⚠ WARNING:** Be alert to the possibility of serious bodily injury if the instructions are not followed. Be sure to read and carefully follow all of the messages.
- ⚠ CAUTION:** Indicates a potentially hazardous situation which, if not avoided, may result in minor or moderate injury.

# GENERAL WARNINGS:

## **⚠ WARNING**

**When using, basic safety precautions should always be followed, including the following:**

- Always place heater on a level, non-combustible surface.
- Operate only per manufacturer's instructions.
- Keep all combustible materials at least 36 inches (91cm) away from the heater at all times. Do not use this heater under any overhang or near any combustible structures.
- Minimum clearance from side and back of unit to combustible materials, 36 inches (91cm) from side and 36 inches (91cm) from back.
- DO NOT use on wood decks. Set up this heater on a hard, non-combustible, smooth, level surface.
- Keep a fire extinguisher on hand. Refer to your local authority to determine proper size and type.
- Creosote – Formation and need for removal. When wood pellets are burned slowly, they produce tar and other organic vapors that combine with expelled moisture to form creosote. The creosote vapors condense in a relatively cool oven flue and exhaust hood of a slow burning fire. As a result, creosote residue accumulates on the flue lining and exhaust hood. When ignited, this creosote makes an extremely hot fire.
- Do not attempt to touch heater during use.
- Alert both children and elders to the hazard of high surface temperatures.
- Never leave appliance unattended. Hot while in operation. Keep children, clothing and furniture away. Contact may cause burns.
- Do not use accessories or attachments not recommended by the manufacturer, as they may not be compatible with this appliance, and may cause damage or injury.
- Do not use this appliance for anything other than its intended use.
- NEVER add cooking pellets to a hot fire pot by hand. You could be seriously burned. If the hopper runs out of pellets or your fire goes out, let the heater completely cool before relighting.
- Use only wood pellets. (cooking grade or heating grade wood pellets)
- Always store wood pellets away from heat.
- NEVER use gasoline, gasoline-type lantern fuel, or similar liquids to start or “freshen up” a fire in this appliance. Keep all such liquids well away from the appliance when in use.
- This heater is not for use indoors. Do not use inside a building, garage or any other enclosed area.
- This product is not designed for commercial use.
- Beware of high winds. This can knock over heater.
- This product is not designed for tabletop use. Do not set this product on a tabletop.
- Keep appliance clean. See Proper Care and Maintenance section for cleaning.
- Do not operate this heater while under the influence of drugs, alcohol, or while fatigued.
- Do not use in the presence of explosive or flammable gases, vapor or other substances.
- Do not use this heater unless it is completely assembled and all parts are securely fastened and tightened.
- Use only identical replacement parts.
- Do not attempt to move this appliance while it is in use.
- Do not use this product for indoor heating, as toxic fumes will accumulate.
- Keep heater covered when not in use - out of the reach of children. Do not clean this product with a water spray or the like

Follow these guidelines to prevent this colorless, odorless gas from poisoning you, your family or others.

- Know the symptoms of carbon monoxide poisoning; headache, dizziness, weakness, nausea, vomiting, sleepiness and confusion. Carbon monoxide reduces the blood's ability to carry oxygen. Low blood oxygen levels can result in loss of consciousness and death.
- See a doctor if you or others develop cold or flu-like symptoms while cooking or in the vicinity of this appliance. Carbon monoxide poisoning, which can easily be mistaken for a cold or flu, is often detected too late
- Alcohol consumption and drug use increase the effects of carbon monoxide poisoning.
- Carbon monoxide is especially toxic to mother and child during pregnancy, infants, the elderly, smokers and people with blood or circulatory system problems, such as anemia or heart disease.

**▲ USE CAUTION AND COMMON SENSE WHEN OPERATING YOUR PELLET HEATER. FAILURE TO ADHERE TO THE SAFETY WARNINGS AND GUIDELINES IN THIS MANUAL COULD RESULT IN SEVERE BODILY INJURY OR PROPERTY DAMAGE. SAVE THIS MANUAL FOR FUTURE REFERENCE.**

## **OPERATING THE HEATER:**

### **▲ WARNING**

**Read and follow all warnings and instructions contained in the preceding sections of this manual.**

### **BREAKING IN YOUR HEATER:**

- In manufacturing and preserving the components of your heater, oil residue may be present on the surfaces.
- Please follow the “Initial Lighting Instructions” to cure the paint on your heater.

### **▲ WARNING**

- **DO NOT** leave your heater unattended while in use.
- **DO NOT** move heater when in use.

## **LIGHTING THE HEATER:**

### **Initial Lighting Instruction (To be used on initial firing)**

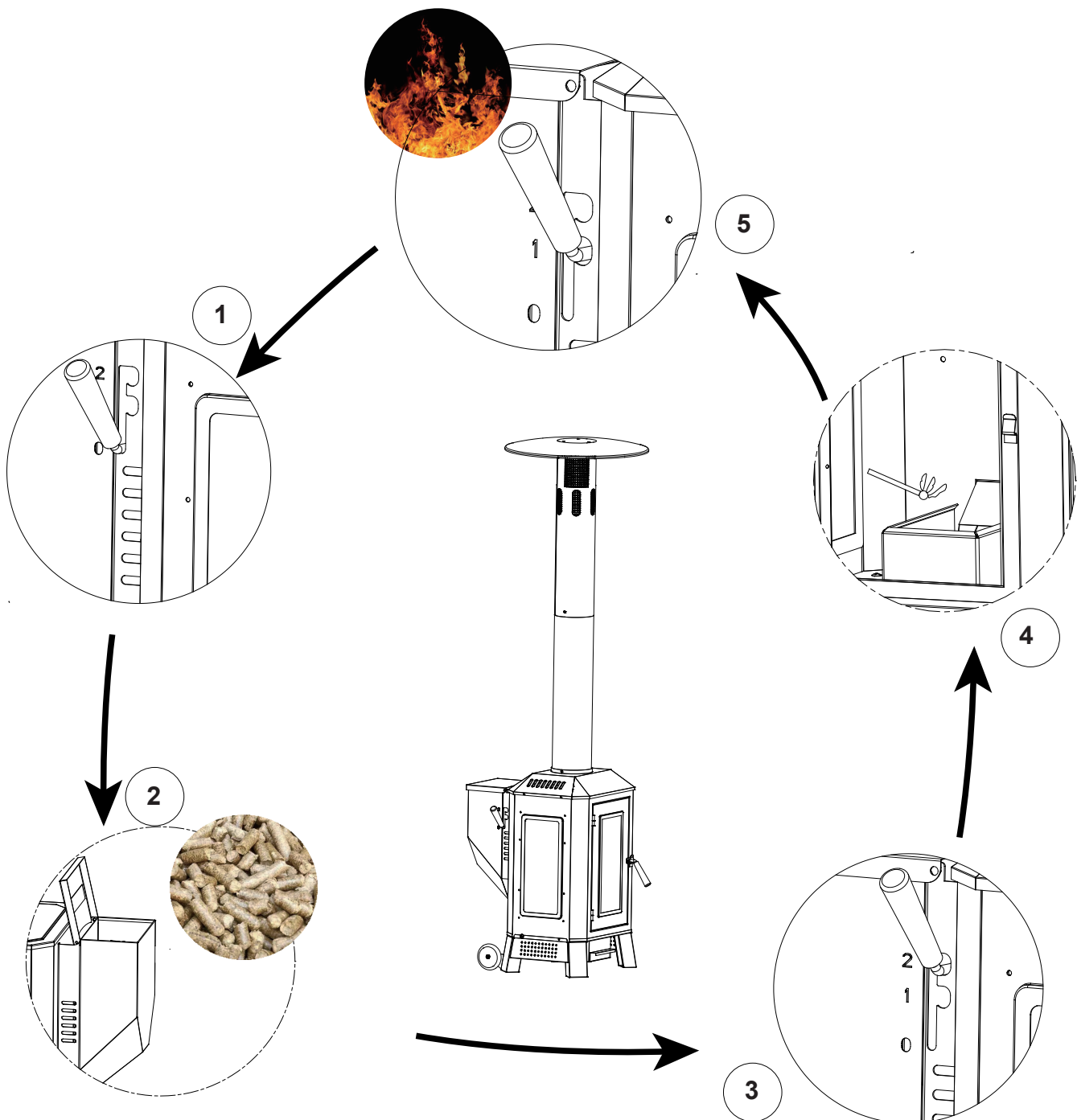
- Push shut off lever (side of hopper) down, stay lowest position,
- Turn heat adjustment lever to HI, provide the largest air flow to support firing
- Fill the hopper around ½ full
- Pull the shut off lever up and lock on the Lower position, it will limit the number of pellets feed into firepot during the entire initial burn process. Place shut off lever on the High position will result in too much pellet feed into firepot and very high temperature, potentially damage your heater and voiding your warranty.
- Light the pellets and let it burn through all the pellet.
- Keep heater there and allow the heater to cool down.

Now, you are free to use the heater according to the remainder of these instruction. Those initial lighting instruction.

\*This one-time initial firing needs to be done to cure the paint on the unit. This initial lighting instruction allow the high temperature paint to cure property. When curing, the paint will give off some smoke and this will happen for the first time.

# OPERATING THE HEATER:

1. Make sure your heater has been assembled properly.
2. Push the shut-off lever down (side of pellet hopper). stay at LEVEL-0.
3. Fill hopper with pellets. The pellet will not fall into the firepot at this point since the shut-off lever is closed.
4. Open the door and make sure the firepot and burner fence are placed correct.
5. Pull the shut-off lever up and lock in HI LEVEL-2, this will allow pellets to fall into firepot.
6. Squirt a small amount lighter fluid or gel onto the pellets and ignite with a butane lighter or match, then close the door.
7. Once the pellets have caught fire, you can put the shut-off lever in LEVEL-1 or LEVEL-2, depend on how high heat you need.
8. Keep the door closed when using the heater. If the door is opened, the heater will lose its draft and the pellets will not burn properly.



## PROPER CARE & MAINTENANCE:

- Remove wood pellets from hopper if heater will not be used for a long period of time. Wood pellets can become soggy due to moisture/humidity and clog up the firepot and pellet chute.
- Disposal of ashes – Ashes should be placed in a metal container with a tight-fitting lid. The closed container of ashes should be placed on a non-combustible floor or on the ground, away from all combustible materials, pending final disposal. When the ashes are disposed by burial in soil or otherwise locally dispersed, they should be retained in the closed container until all cinders have thoroughly cooled.
- To protect your heater from excessive rust, the unit must be kept clean and covered at all times when not in use.
- Clean inside and outside of heater by wiping off with a damp cloth. Rust spots on the interior surface can be buffed, cleaned, and sprayed with a high temperature paint. Soot buildup on the glass can easily be wiped off.
- Depending on use, periodically remove the firepot and Burner Fence to clean the ash from in and around the fire pot. A shop-vac is handy for this chore. Make sure the heater is cold before starting this procedure.

## CLEANING AND MAINTENANCE:

- Keep the appliance free and clear of combustible materials, gasoline and other flammable vapors and liquids.
- For peak performance of your heater, perform these checks at least twice per year or after extended periods of storage.
- Be sure to tighten up all hardware (nuts, bolts, screws, etc.) at least twice per year.  
CAUTION: Some parts may contain sharp edges. Wear protective gloves if necessary

## TRANSPORTING AND STORAGE:

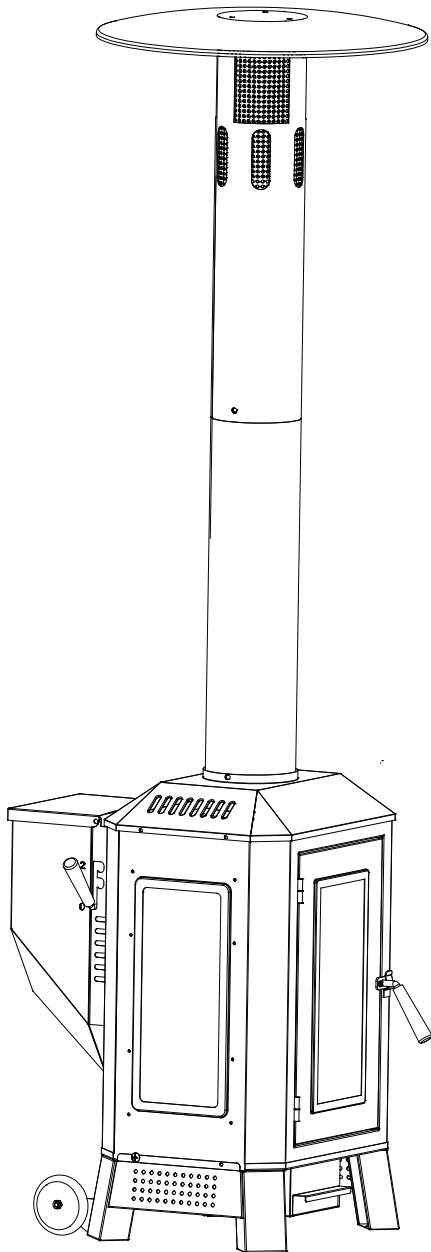
### **▲ WARNING**

- Never move a heater when it is hot.
- Never store flammable liquids or spray canisters under or near the heater

## BEFORE STORING YOUR HEATER:

- Clean all surfaces.
- If storing the heater outdoors, cover the heater for protection from the weather.
- If the heater is stored outside during the rainy season, care should be taken to ensure that water does not get into the pellet hopper. Wood pellets, when wet, expand greatly and will jam inside the hopper and chute.

# HEAT CONTROL SYSTEM & OPERATION MANUAL



## SHUT-OFF LEVER OPERATION

Adjust the wood pellet feed lever to set the amount of pellets being fed, then control the heat accordingly.

### **Off (LEVEL-0)**

Totally shut off the lever, no pellet will feed into firepot.

### **Low (LEVEL-1)**

Feed small qty of pellet into firepot, keep low heat.

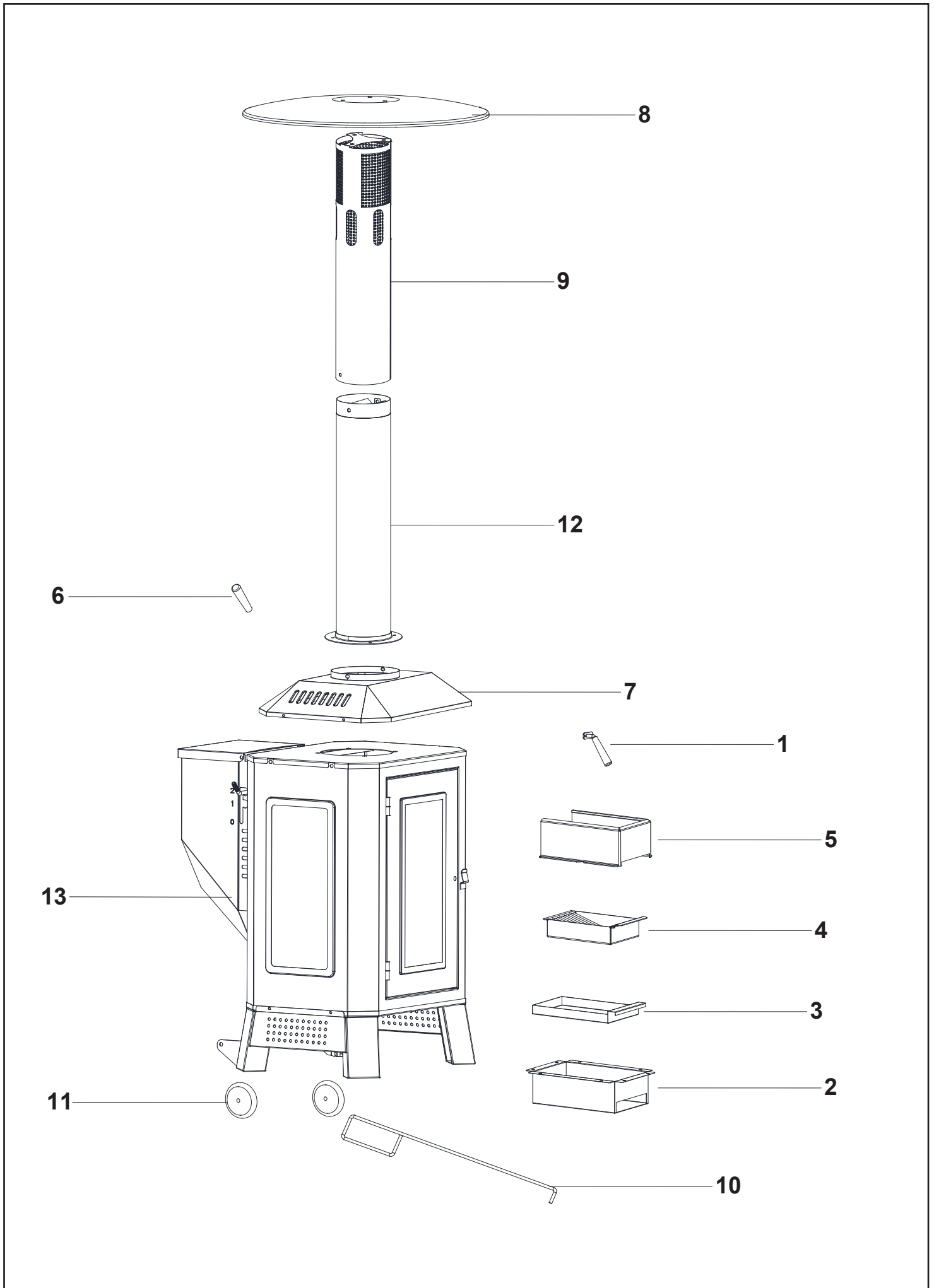
### **Hi (LEVEL-2)**

Feed MAX pellet into fireport, provide max heat.


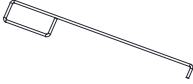
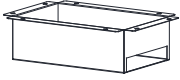






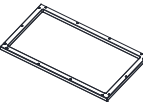



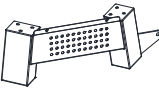
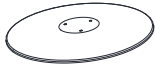
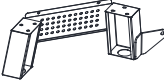

### **NOTE:**

1. Keep lever at OFF (LEVEL-0) before you fill pellet.
2. Keep lever at HI (LEVEL-2) when you start lighting the heater.
3. Adjust the lever when the heater worked.

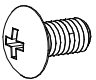


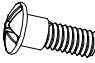

# EXPLODED VIEW



# Parts

PARTS		DESCRIP TION	QYT	PARTS		DESCRIP TION	QYT
1		Front Door Handle	1	10		Poker	1
2		Ash Tray Holder	1	11		Wheel	2
3		Ash Tray	1	12		Chimney-Base	1
4		Fire Pot	1	13		Main body	1
5		Fireplace Fense	1	13A		Front Door	1
6		Handle Cap	1	13B		Glass Window	3
7		Mainbody Top Plate	1	13C		Leg-R	1
8		Reflector	1	13D		Leg-L	1
9		Chimney-Top	1				

# Hard ware

PARTS		DESCRIP TION	QYT	PARTS		DESCRIP TION	QYT
A		Bolt M6X12	19	D		Bolt M8X65	2
B		Hex Nut (M8)	2	E		Step Screw (M6)	1
C		Washer	2				

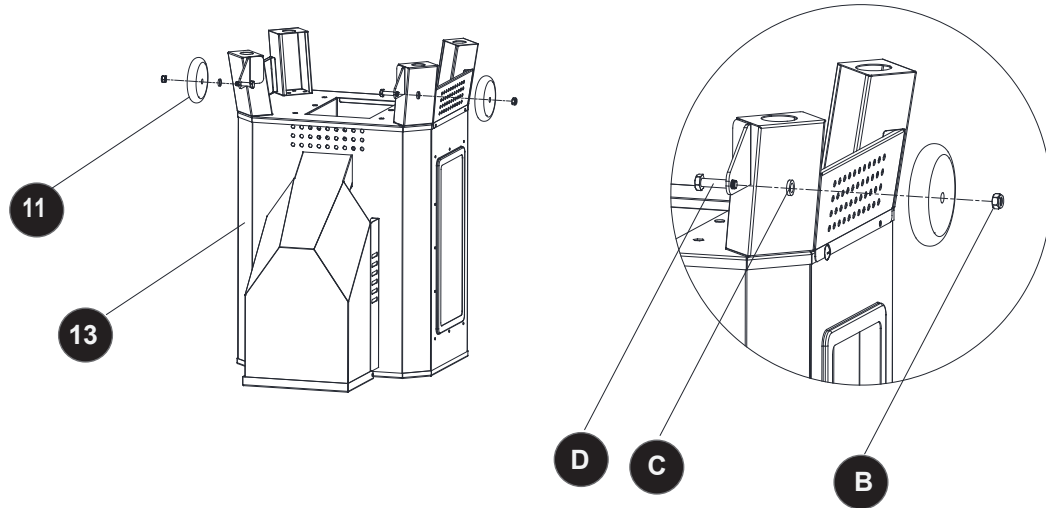
# Assembly Instruction

**STEP1: Attach wheels (11) to back side leg, using Two Bolt-D and Two Washer-C.-B**

**BX2** 

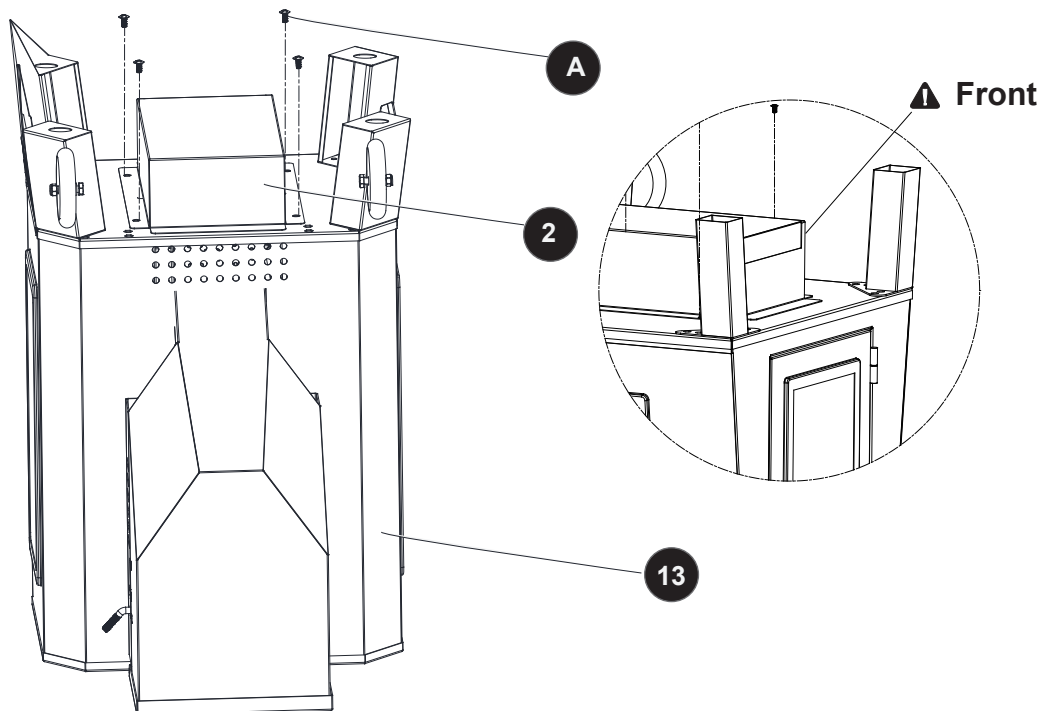
**CX2** 

**DX2** 



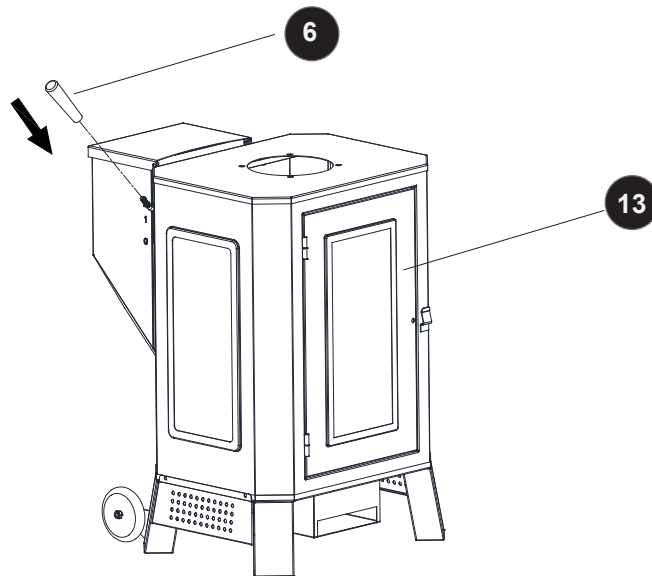
**STEP2: Install Ash Tray Holder (2) on to bottom of main body (13), using Four Bolt M6x12-A.**

**AX4** 



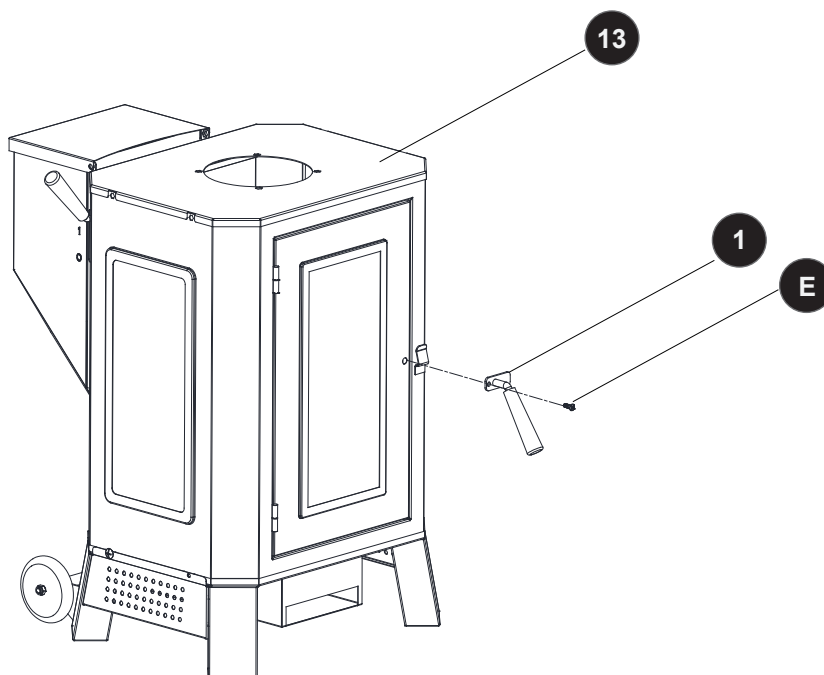
# Assembly Instruction

**STEP3: Turn over the assembled main body.  
Attach handle cap (6) to handle bar located on hopper**



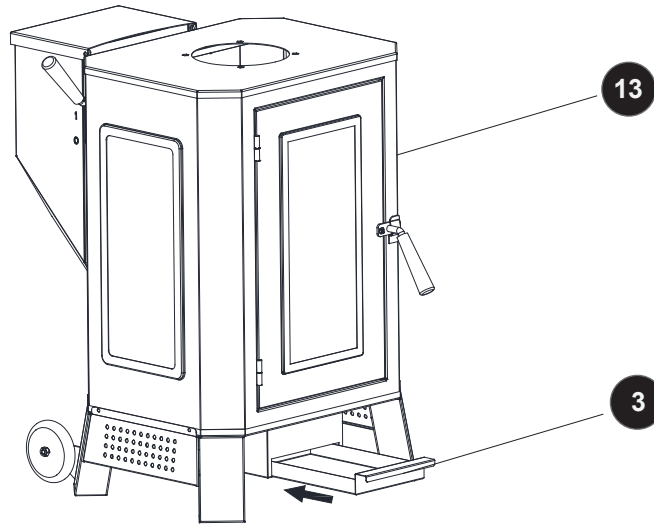
**STEP4: Install Front Door Handle (1) on to front door, using One Step Screw(M6)-E**

EX1 

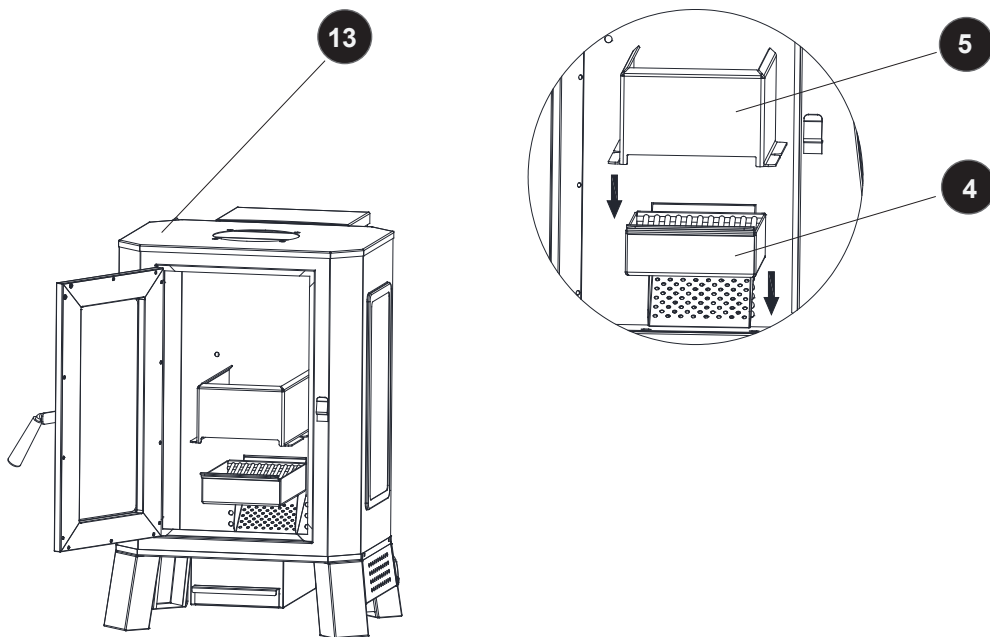


# Assembly Instruction

**STEP5: Attach the Ash Tray (3) into ash tray holder.**



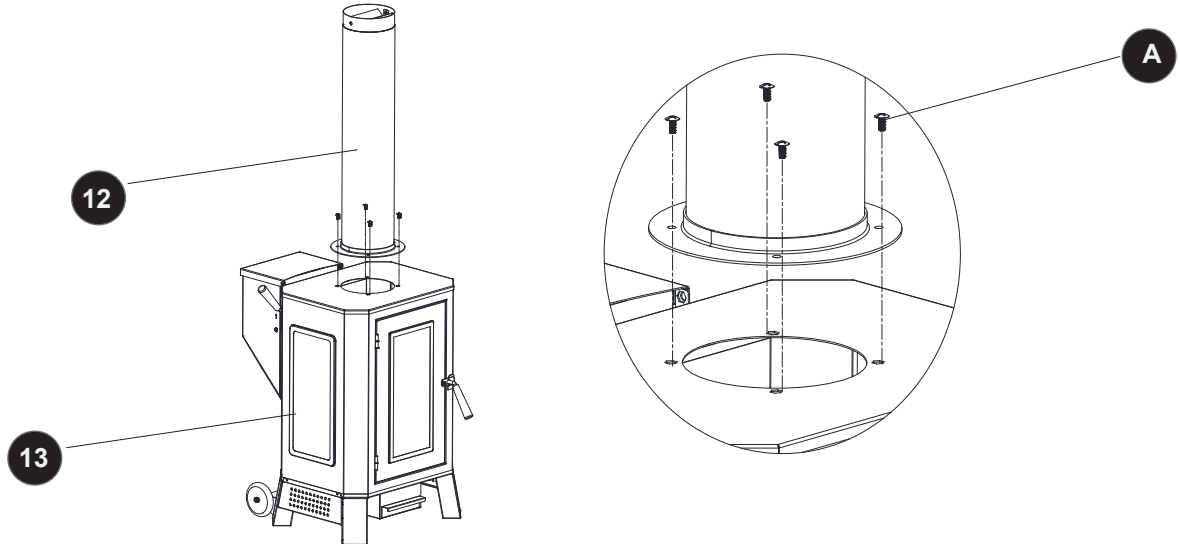
**STEP6: Put the Firepot (4) into main body, then place the Fireplace Fence (5) ontop of fire pot.**



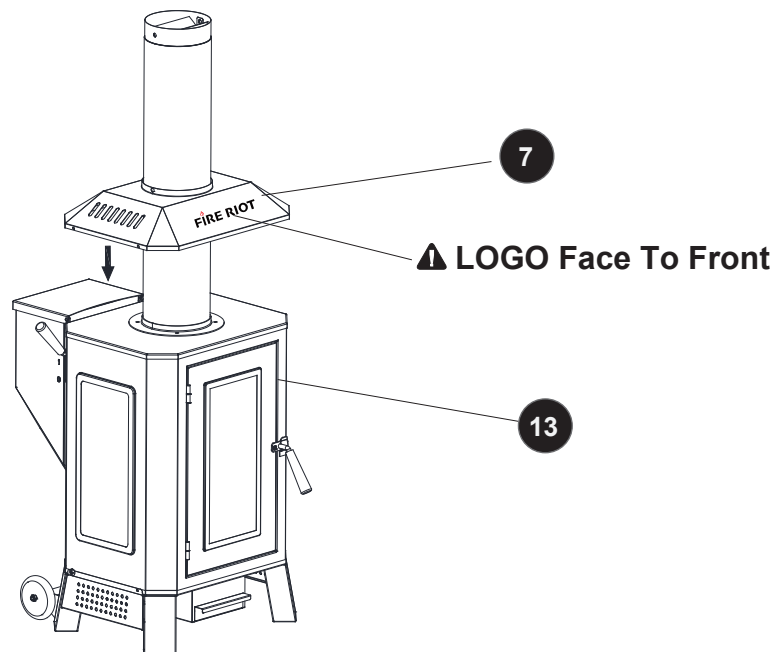
# Assembly Instruction

**STEP7: Attach Chimney-Base (12) onto main body (13), using Four Bolt M6x12-A**

AX4 



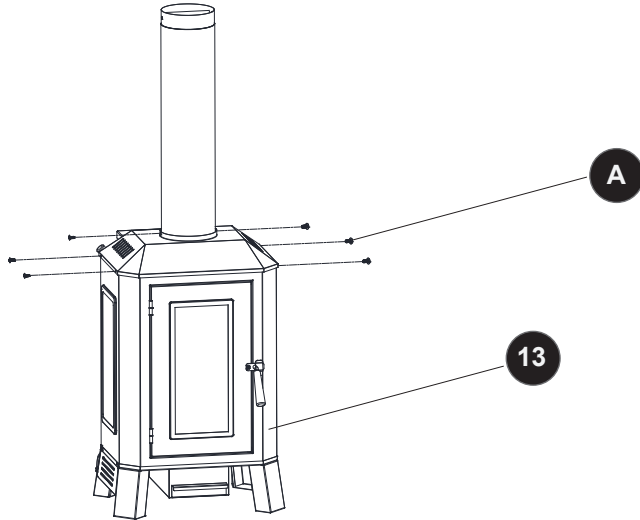
**STEP8: Attach Mainbody Top Plate (7) onto main body, refer to pic shown.**  
**NOTE: Logo face to front side**



# Assembly Instruction

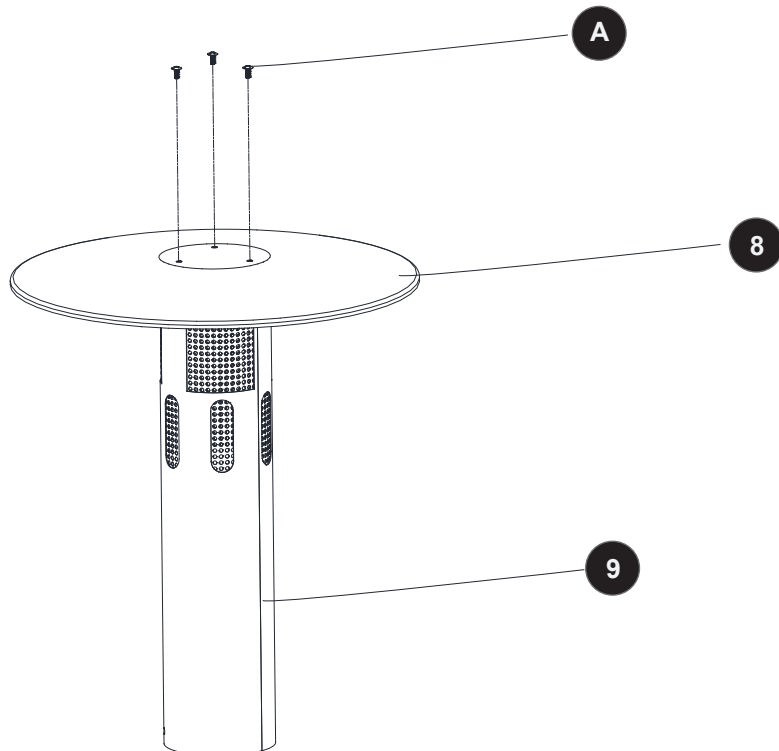
**STEP9: Fasten Mainbody top plate onto main body using Six BOLT M6x12-A**

**AX6** 



**STEP10: Attach the Reflector (8) onto Chimney Top (9), using Three BOLT M6x12-A**

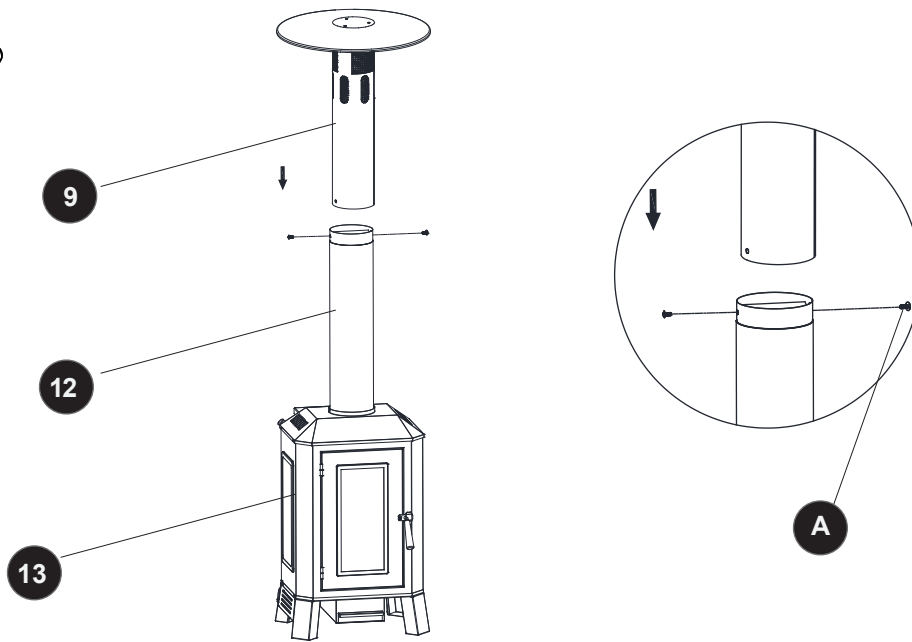
**AX3** 



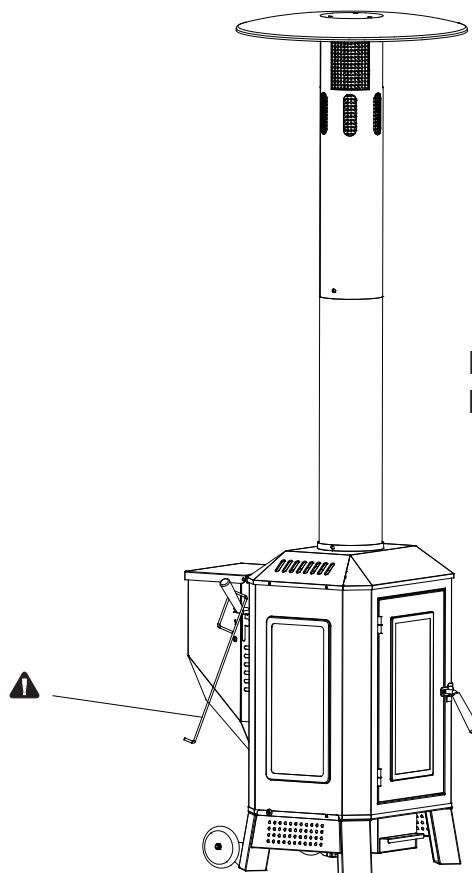
# Assembly Instruction

**STEP11: Connet two parts of Chimney, line the assemble hole.  
Fasten both part using Two BOLT M6x12-A.**

AX2 



**STEP12: Finally Products**



**KEEP POKER SAFETY, HOOK  
IT ON THE HOOPER**

# WARRANTY

HEATAK USA warrants to the original purchaser that the HEATAK Outdoor Wood Pellet Patio Heater is free from defects due to workmanship or materials for One-year.

HEATAK USA obligations under this warranty are limited to the following guidelines:

- This warranty does not cover heaters that have been altered/modified or damaged due to: normal wear, rust, abuse, improper maintenance and/or improper use.
- This warranty does not cover surface scratches, rust or heat damage to the finish, which is considered normal wear.
- HEATAK USA may elect to repair or replace damaged units covered by the terms of this warranty.
- This warranty extends to the original purchaser only and is not transferable or assignable to subsequent purchasers.

HEATAK USA requires reasonable proof of purchase. Therefore, we strongly recommend that you retain your sales receipt or invoice.

To obtain replacement parts for your HEATAK Outdoor Wood Pellet Patio Heater under the terms of this warranty, please contact Customer Service Department at

**Service@heatakusa.com**

**or**

**Tool Free Number: 1-800-719-8199**

**Mondy through Friday**

**9:00 am to 5:00 pm, Eastern Time Zone**

**NOTE:**

A receipt will be required. HEATAK USA will not be responsible for any heaters forwarded to us without prior authorization.