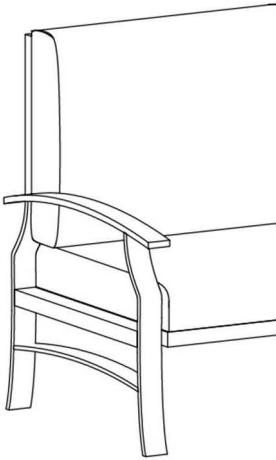


Instruction Manual



WARRANTY

WE STRIVE TO OFFER HIGH-QUALITY PRODUCT AND WE ALSO TRY OUR BEST TO SATISFY EACH CUSTOMER THAT ORDERS FROM US WITH PRODUCT OR SERVICE AS NEEDED. EACH CUSTOMER RECEIVES A RECORD OF THEIR ORDER, SUCH AS THE ORDER NUMBER OR ITEM RECEIPT. FOR ANY ITEMS THAT ARE OUT OF THE WARRANTY PERIOD, YOU MAY STILL RECEIVE REPLACEMENT PARTS BY PURCHASING THEM FROM OUR COMPANY IF THEY ARE AVAILABLE.



Are you having difficulty
with assembly? Missing parts?
Please contact us.

MAINTAINANCE AND WARNING

Please read the manual throughly before
you start install.

Please always use proper tools for
installment.

Packaging and small parts may have
chocking hazard, please keep them away
from children and pets.

Please clean the product with dry clean
cloth, some of the parts may be able to
wash directly. Check with the product
description!

Please keep the product away
from fire.

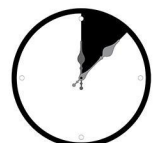
Please keep the product away from
sharp objects.

IF the product is placed under direct
sunlight, the pattern or color might
fade away.

Do not jump on the product.

Check the product periodically to make
sure everything is tightened.

If you have any questions else, please
contact us,we will be glad to help
you out.



Around 45 min

PRDOUCT DESCRIPTION

Metal structure is very stable, allowing for two person to use at the same time.

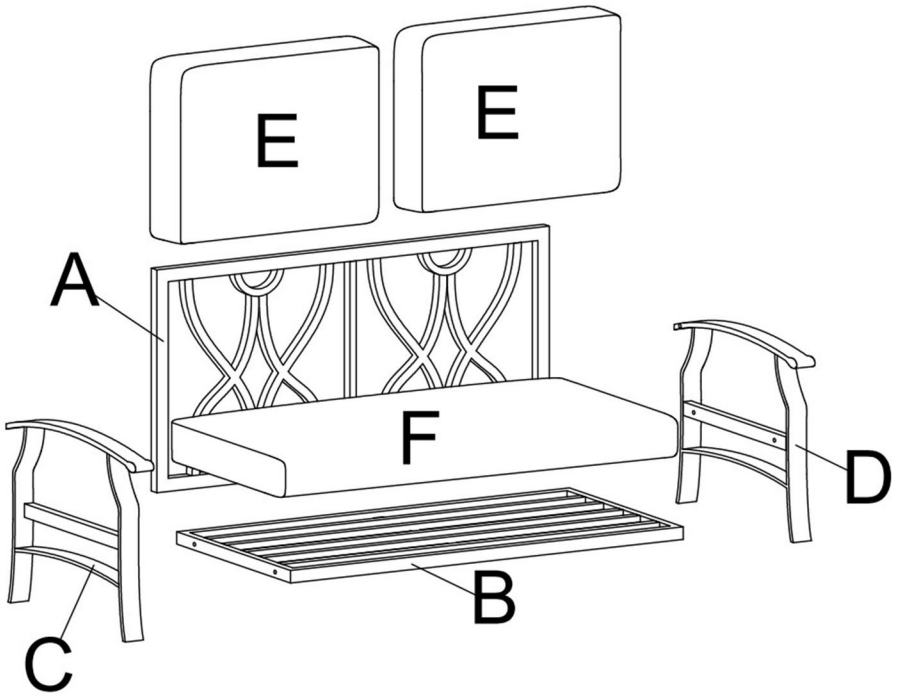
Soft cushions provide ultimate comfort, designed for long time sitting.

Hollow caved design adding aesthetic to the overall appearance.

Metal made chair has quality of weather resistant, perfect for harsh outdoor environments.

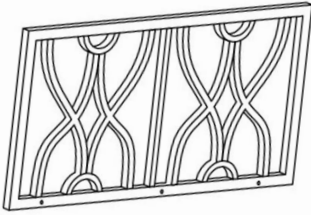
Easy to install, the instruction is very clear.

EXPLODED VIEW



PARTS

A*1



Backrest

B*1



Seat frame

C*1



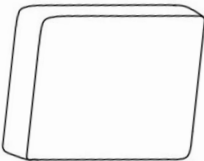
Left arm

D*1



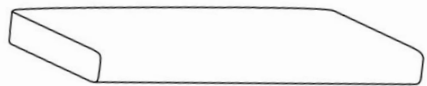
Right arm

E*2



Back cushion

F*1



Seat cushion

HARDWARE

TOOL LIST

①*2



★M6X40mm
Bolt

②*7



★M6X30mm
Bolt

③*9



★Flat washer

④*1



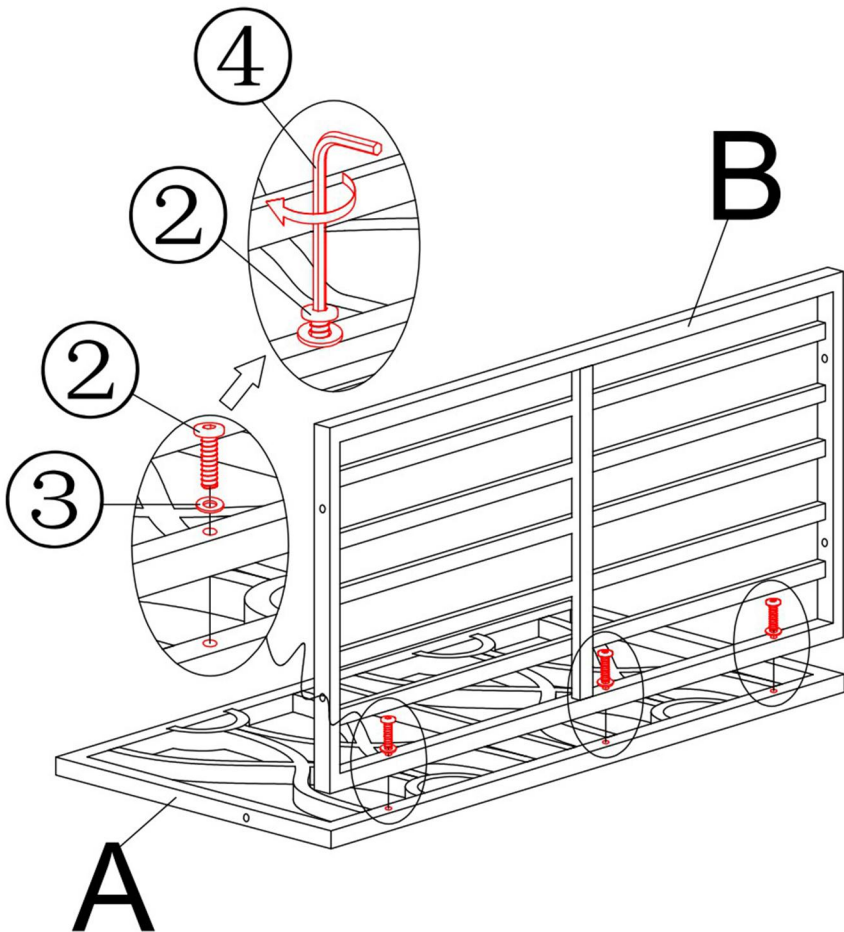
Allen key

PLEASE MAKE SURE ALL
HARDWARE&PACKING
MATERIAL FITTING THE LIST.
ESPECIALLY SOME SMALL
ACCESSORIES MAY BE MISSING
DURING TRANSPORTATION.
PLEASE CONTACT US
IF YOU HAVE ANY QUESTION.

NOTE: We provide additional spare parts in the hardware package

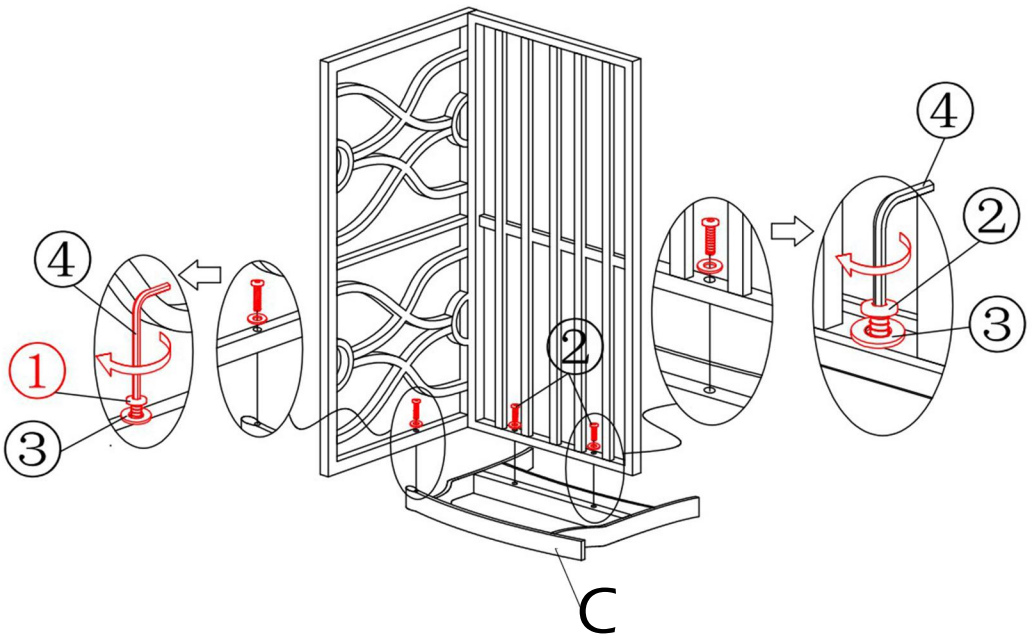
step 1

ALIGN THE PREDRILLED HOLES ON BACKREST (A) WITH THE SEAT FRAME (B), ADD ONE WASHER (3) ON EACH BOLT (2) AS SHOWN, THEN ALIGN THE BOLT HOLES ON BOTH SEAT FRAME (B) AND BACKREST (A), THEN USE THE ALLEN WRENCH (4) PROVIDED TO TIGHTEN ALL BOLTS BY 30%-50% AT FIRST, ENSURING THAT ALL BOLTS ARE ALIGNED CORRECTLY BEFORE TIGHTENING ALL BOLTS.



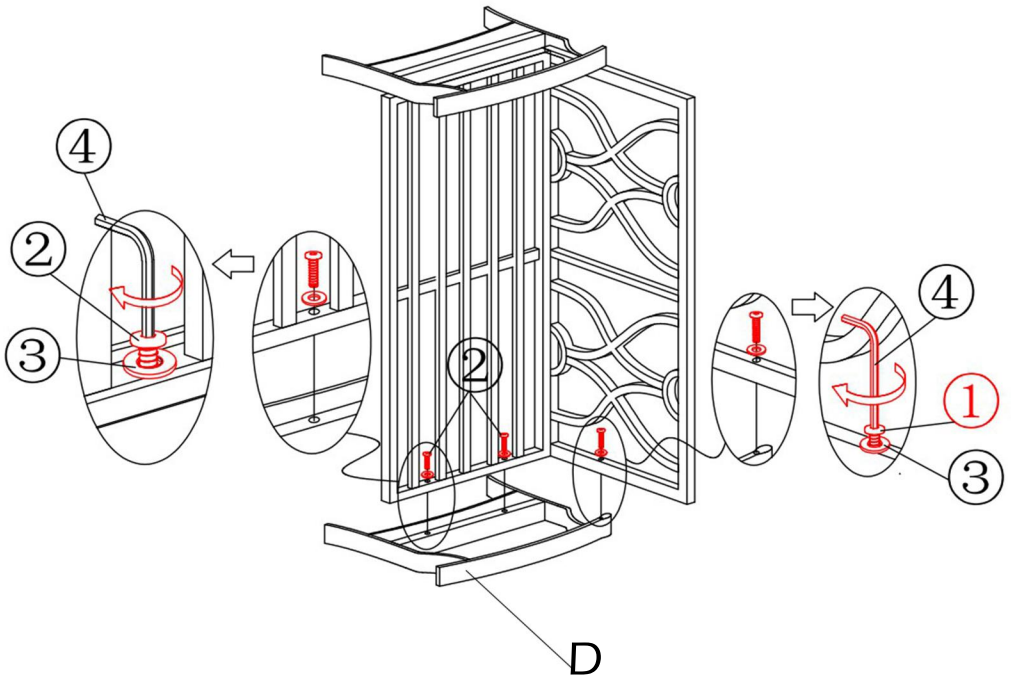
step 2

INSTALL THE LEFT ARMREST (C) ONTO THE FRAME, ADD ONE FLAT WASHER (3) ON EACH BOLT (1&2) AS SHOWN, THEN ALIGN THE BOLT (1) HOLES ON BOTH BACKREST AND ARMREST, ALIGN THE BOLT (2) HOLES ON BOTH SEAT FRAME AND ARMREST, THEN USE THE ALLEN WRENCH (4) TO TIGHTEN ALL BOLTS BY 30%-50% AT FIRST, ENSURING THAT ALL BOLTS ARE ALIGNED CORRECTLY BEFORE TIGHTENING ALL BOLTS. THERE ARE TWO BOLTS (2) USED ON SEAT FRAME, AND ONE BOLT (1) USED ON BACKREST.



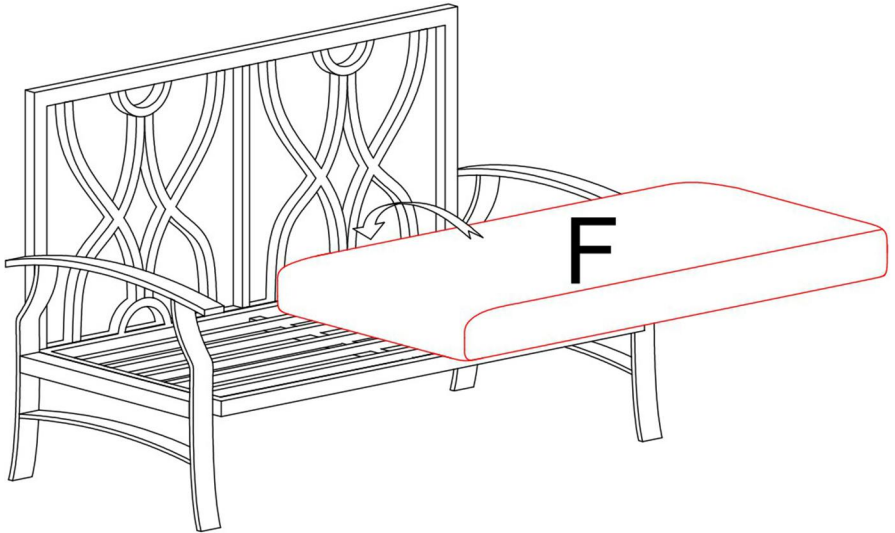
step 3

INSTALL THE RIGHT ARMREST (D) ONTO THE FRAME, ADD ONE FLAT WASHER (3) ON EACH BOLT (1&2) AS SHOWN, THEN ALIGN THE BOLT (1) HOLES ON BOTH BACKREST AND ARMREST, ALIGN THE BOLT (2) HOLES ON BOTH SEAT FRAME AND ARMREST, THEN USE THE ALLEN WRENCH (4) TO TIGHTEN ALL BOLTS BY 30%-50% AT FIRST, ENSURING THAT ALL BOLTS ARE ALIGNED CORRECTLY BEFORE TIGHTENING ALL BOLTS. THERE ARE TWO BOLTS (2) USED ON SEAT FRAME, AND ONE BOLT (1) USED ON BACKREST.



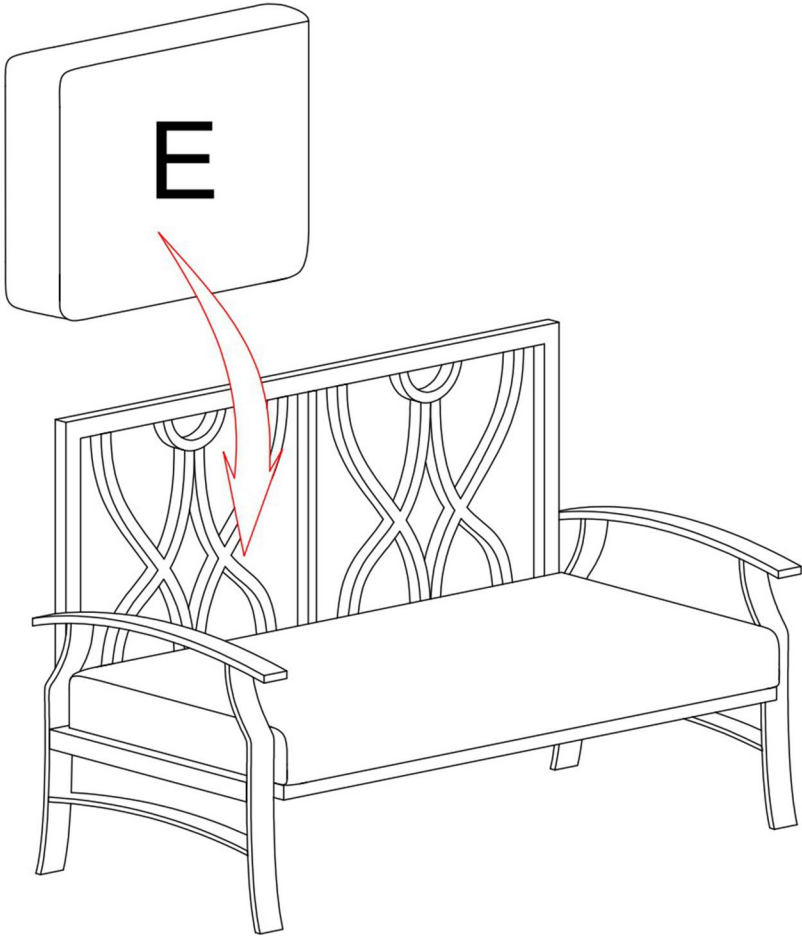
step 4

PLACE THE SEAT CUSHION (F) ONTO THE CHAIR.



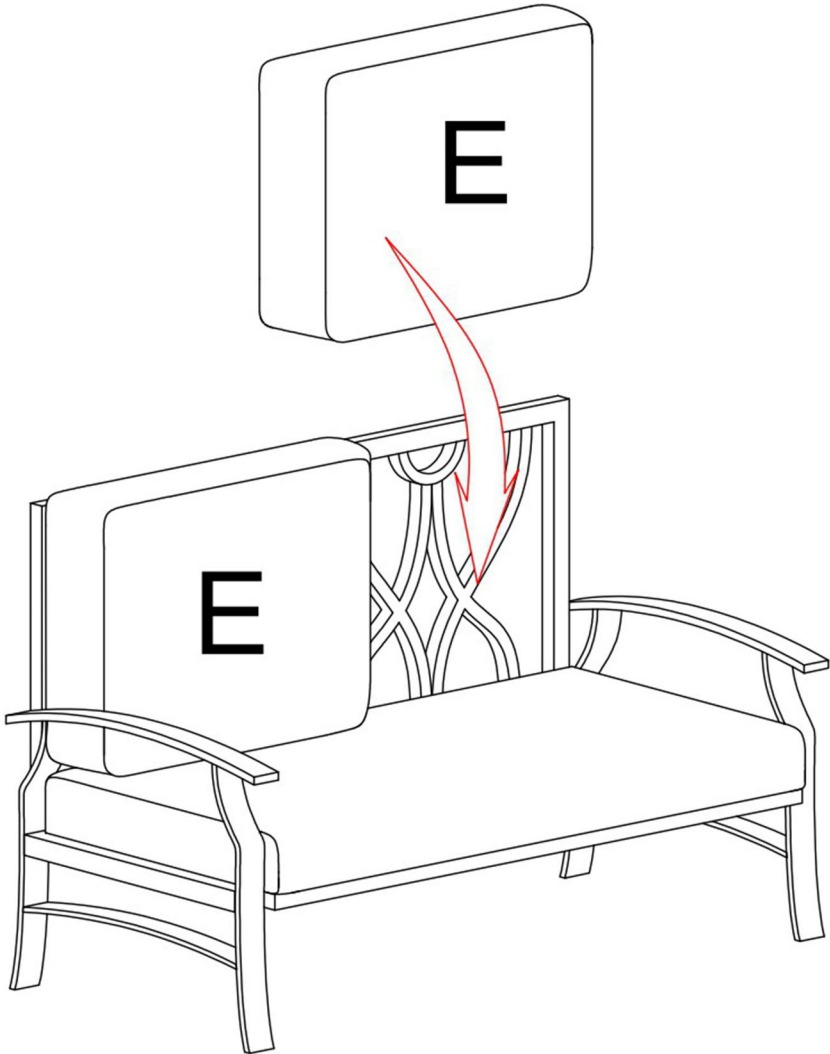
step 5

PLACE THE BACK CUSHION (E) ONTO THE CHAIR.



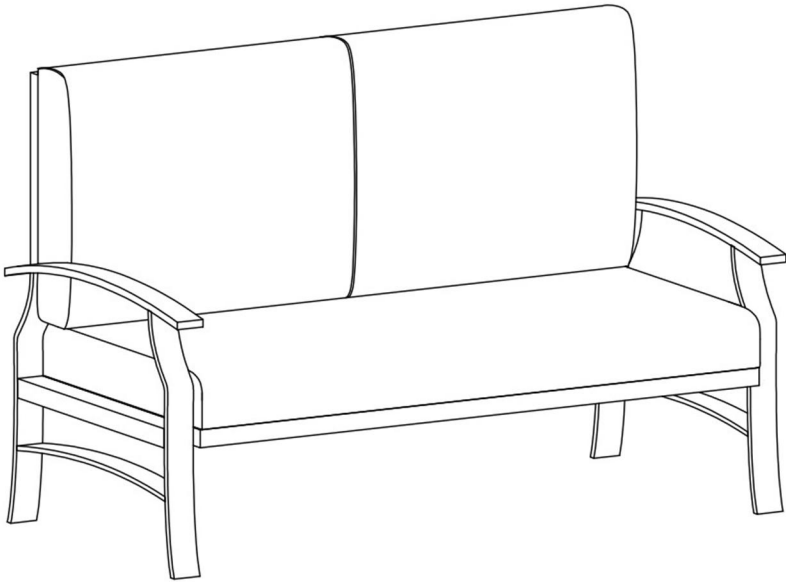
step 6

PLACE THE BACK CUSHION (E) ONTO THE CHAIR.



step 7

THE ASSEMBLY IS COMPLETE! THANKS FOR CHOOSING OUR PRODUCT!
PLEASE ENJOY!



For better user experience, please carefully check all the screws, and make sure they are all fully tightened. (Use the allen wrench to twist each screw until it is fully tightened.)