

Perfect Popper
INSTRUCTION MANUAL

THE PERFECT POPPER POPCORN MACHINE

You have purchased our best selling popcorn popper for personal use . By purchasing the Perfect Popper you have joined an elite group of popcorn aficionado's. In the world of popcorn you have now reached the next level. You have left behind the stove top saucepan with a gob of white shortening and a handful of popcorn. Welcome to Pop Culture!

This is a industrial-strength kettle popper. The same kettle used by sport stadiums, theaters,

concession stands, convenience stores and mini-marts. Fresh popcorn for every event in just minutes. A professional popcorn scoop and bags are included. Just form an orderly line, there is plenty for everyone.

We use only the finest grade material and workmanship when manufacturing our poppers. If for any reason our popper doesn't live up to these standards described, please contact our Customer Service.

IMPORTANT SAFEGUARDS and DO NOT'S

- **READ ALL INSTRUCTIONS BEFORE USING YOUR POPCORN MACHINE.**




DANGER! HOT!

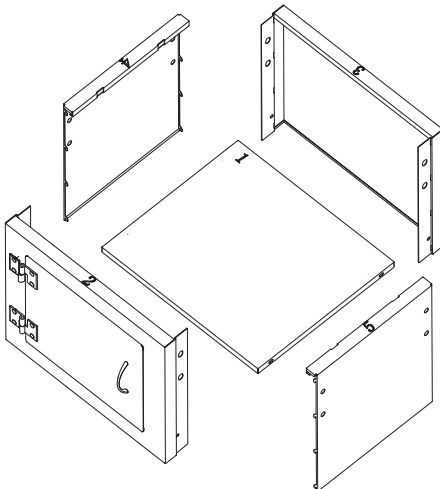
- **EXTREME CAUTION** must be used when dumping kettle after popping action stops, a heat resistant mitt is recommended. Our kettles can reach temperatures **UP TO 475°F**. **DO NOT** touch hot surfaces. Always use handle to operate. Touching the kettle directly **WILL RESULT IN BURNS**.
- **KEEP LOOSE CLOTHING** and other flammables away from hot kettle to avoid combustion, melting, or burns.
- **KEEP PLASTIC BAGS** or other containers not recommended for use away from hot kettles to avoid melting, combustion, or burns from melted plastic.
- **STEAM IS HOT!** It is **NOT** recommended that you open the lids of the kettle when in use or when hot. Escaping steam can **BURN**. Use only the kettle handle to tilt the kettle to extract any hot contents.
- **DO NOT** use this appliance for anything other than the indicated usage. This Popcorn Popper is intended for residential or personal use only. This appliance is **NOT** intended for commercial use.
- The popper must be properly assembled before using it. Follow instructions and recommendations carefully.
- **ONLY** connect to an electrical outlet with the correct electrical supply and proper grounding to reduce the risk of shock and fire. **Do Not** cut or remove the grounding pin. If you do not have a three-prong electric receptacle outlet available, have a certified electrician install a proper outlet. **DO NOT** use a wall receptacle that is not properly grounded. Consult a qualified electrician to make sure your wiring and circuit can handle the

Please Note: First time use, clean inside glass and wipe inside area with damp sponge. Thoroughly wipe inside of stainless steel pot with clean damp sponge before heat is applied.

- electrical load required to operate this appliance.
- Make sure **ALL** switches are in the **"OFF"** position after each use, disconnect power cord from the electric outlet before cleaning.
- **DO NOT** immerse cord or plug into water or other liquids. **DO NOT** use extension cords or adapters to connect the unit to an electrical power source.
- **DO NOT** operate the appliance with damaged cord or plug, malfunction or with any mechanical damages.
- **ALWAYS** wear safety glasses when servicing this popper.
- **DO NOT** move the popper during operation. Allow hot parts to cool down before moving or handling.
- **DO NOT** add kernels into a dry pot (without oil). To avoid overheating, always have oil and kernels ready before turning on heat.
- **DO NOT** place kettle into a dishwasher. **DO NOT** immerse kettle into water.
- **DO NOT** place the unit on or near a gas or electric burner or near a heated oven.
- **DO NOT** use outdoors, in wet environments or near a swimming pool, pond or hot tub/Jacuzzi.
- **DO NOT** use accessories or attachments that are not provided or recommended by manufacturer.
- **KEEP CHILDREN** well away from popper while in operation..
- **DO NOT** use abrasive cleaning products or abrasive cloth or materials on any surface of this machine. Mild synthetic abrasive cloth may be used on inside of pot. Absolutely **NO Steel Wool**.
- **NEVER** force any parts or brackets into position.
- **SAVE** these instructions for future reference.

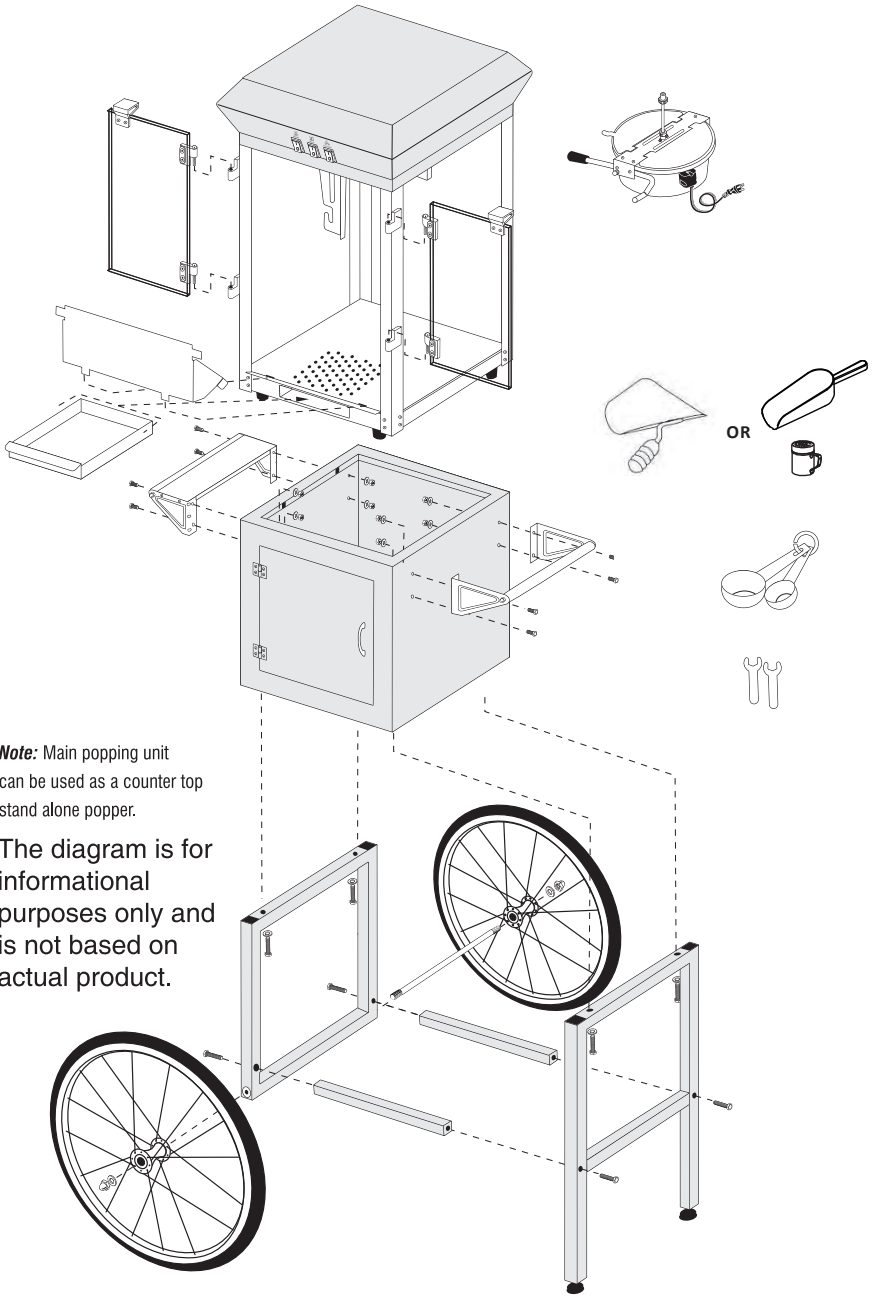
IMPORTANT KNOWLEDGE FOR UNPACKING

Part List					
Part #	COMPONENTS INCLUDED	Qty	Part #	COMPONENTS INCLUDED	Qty
①	Long Stand	1	⑨	Popper Cabinet	1
②	Square Cross Members	2	⑩	Popper Cabinet Door	1
③	Short Wheel Base	1	⑪	Kettle	1
④	Axle	1	⑫	Front Tilt Door	1
⑤	Wheel	2	⑬	Old Maids Drawer	1
⑥	Storage Cabinet	1	⑭	Popcorn Scoop	1
⑦	Hand Rail	1	⑮	Measure Cup Set	1
⑧	Work Platform Some model come with two in one: The Platform & handle Rail assembled together. See picture on right side for reference	1			
Cabinet Assembly Parts					
⑯	Bottom Panel	1	⑰	Left Panel	1
⑰	Front Panel	1	⑳	Right Panel	1
⑱	Back Panel	1			
Hardware					
Package a	Bolts	8	Package c	Cap Nuts	2
	Nuts	8		Washers	2
	Washers	8	Package d	Wrench	2
Package b	Bolts	8	Package e	Bolts	4
	Washers	4		Nuts	4
				Wrench	1



Note: Some models include popcorn serving bags, serving buckets and a decorative magnet sticker.

Note: The cart comes with punching number, it's for manufacturer tooling use only, not for consumer assembly



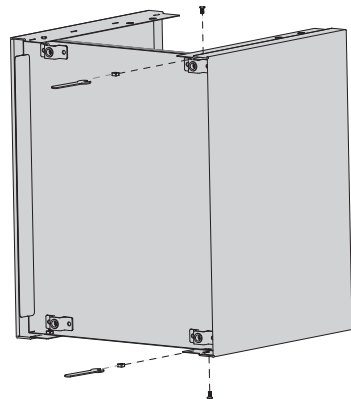
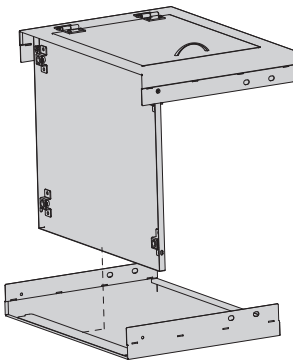
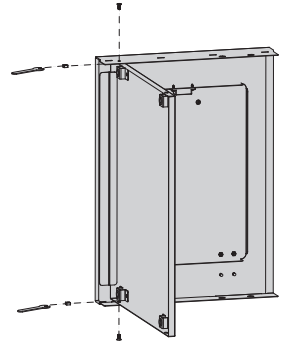
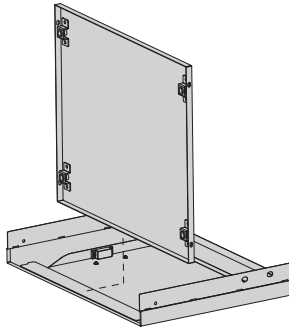
Note: Main popping unit can be used as a counter top stand alone popper.

The diagram is for informational purposes only and is not based on actual product.

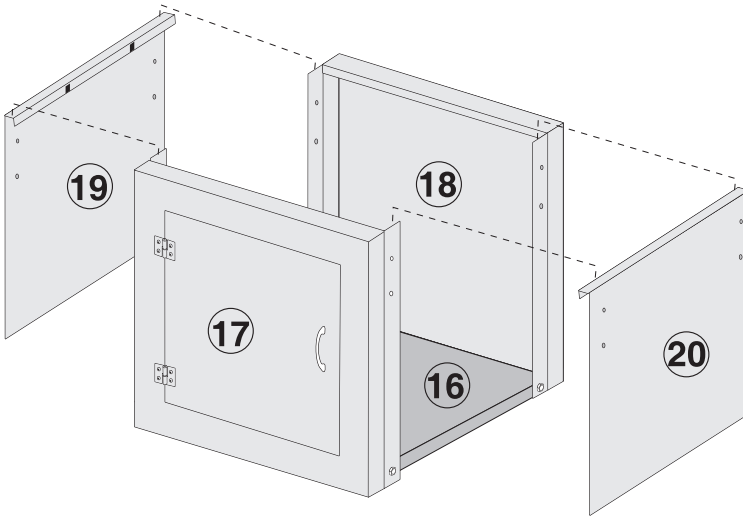
A. Cart Assembly

The cart box is shipped un-assembled. It consists of five pieces. It is easy to assemble. Take care not to scratch the surface of cart box. The art on the cart box makes this machine spectacular.

1. Lay the Front Panel (with door) on a flat clean carpeted surface. Place the Bottom Panel even with the screw holes found near the bottom (illustrated). Use the nuts and screws provided to secure (Package e).

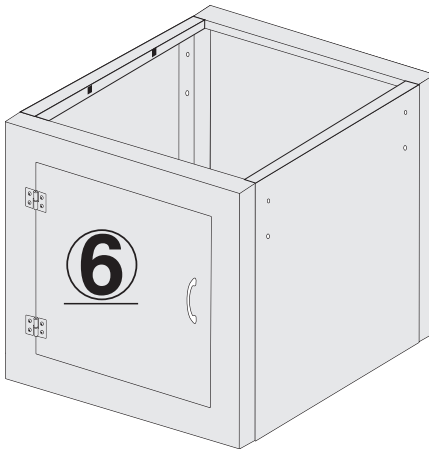


2. Next place the bottom of the back panel (single holes down) even with the screw holes. (illustrated) Use the nuts and screws provided to secure both sides (Package e).



3. The two side panels simply hooked at the top of the front and rear panels.

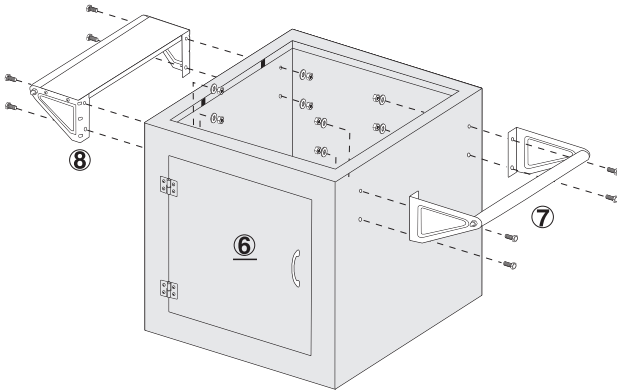
Note: Do not lock into place until all the side lock catches are in a hole. Snap into place. The four pre-drilled holes on each side are aligned for installation of the side handles.



4. Finished assembly.

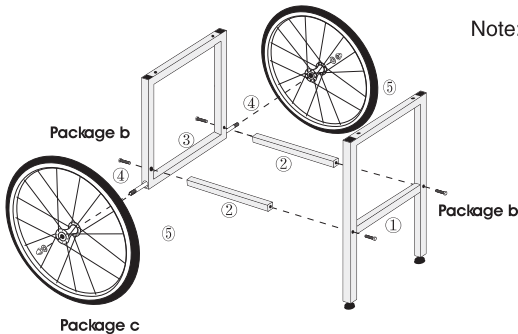
B. ASSEMBLY FULL CART

1. Install the handrail ⑦ onto the right hand side of the storage unit ⑥ and the working platform ⑧ on the left hand side with the nuts, bolts and washers included (Package a). Tighten nuts with wrench provided.

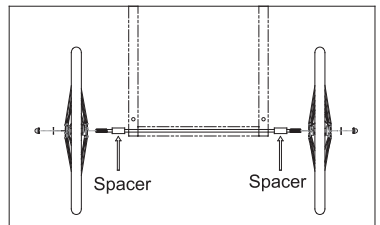


Note: Some models come with two in one: The platform & handle rail assembled together. See above picture for reference

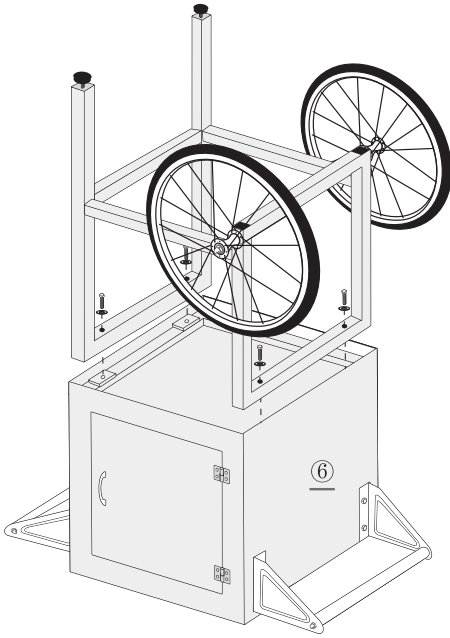
2. Next assemble the cart. Use two 9/16"x 1-3/8"bolts (Package b) provided to connect the long stand ① and the 2 square poles ② together.
3. Connect the assembly in (step 2) with the short stand ③ (it comes with Axle ④ together) by using two 9/16"x 1-3/8"bolts (Package b).
4. Remove two black rubber protectors which on the end of Axle ④. Place two wheels on the two ends of Axle ④. Next place Cap Nut and Washer provided (Package c) onto the exposed end of the Axle ④. Tighten cap nut with wrench provided (Package d). Check cap nut tightness periodically during routine maintenance.



Note: The diagram is for reference only.



Note: Some models come with two Spacers.



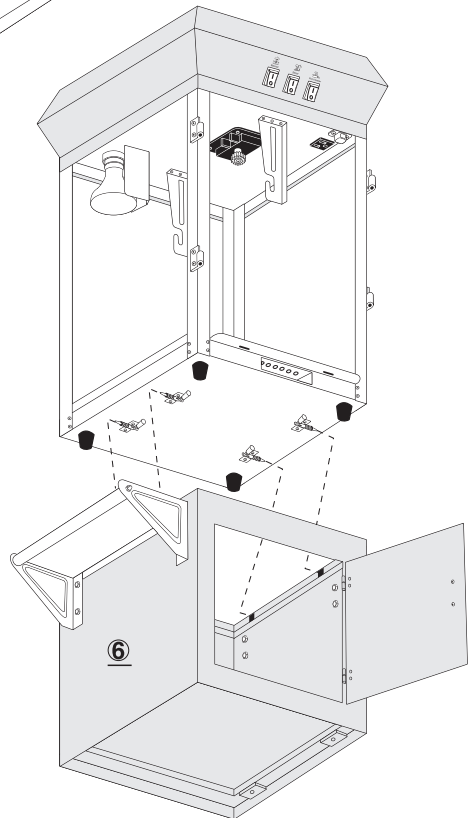
5. Turn the storage cabinet ⑥ up side down for convenient assembly. Insert both ends of the short and long stands onto the bottom of cabinet (wheels opposite of the handle attachment) and attach with bolts (Package b). Use wrench provided to thoroughly tighten bolts. Turn the completed unit back to up-right position.

Note: This task should be performed on carpet or a section of cardboard to avoid scraping the cabinet or damaging your floor. Keep the Hand Rail ⑦ and wheels ⑤ on opposite side.

This is a two person task.

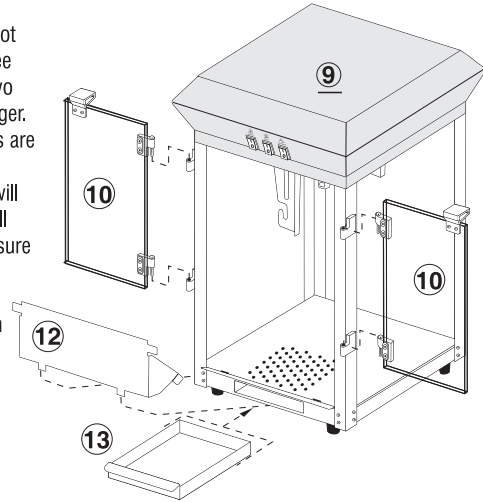
6. Place the main popper unit ⑨ onto the topside of the storage cabinet ⑥. Use the four spring loaded latches to secure the popping unit to the storage cabinet.

Caution: Do not attempt to move your popper without securing the latches. The popping unit will topple off causing property and/or personal damage.



C. ASSEMBLY MAIN POPPER

1. Place the pot (11) onto the hangers located in the popper unit. Hold the pot centered at approximately a 70 degree angle as illustrated here. Place the two hanger bars into the slots on the hanger. **Do Not force.** Make sure the hangers are well seated before swinging the axle shaft up to the motor. The roller pin will fit into the niche on the motor and will help align the gears. Check to make sure the gears properly meshed together before starting the motor. plug the pot into the outlet located on the ceiling of the popper cabinet.



2. Align the two bottom tabs on the Stainless Steel tilt door (12) with the slots on the bottom platform of the popping unit. The side panels will bend in slightly to maneuver past the corner rails.
3. The glass door (10) simply slides into the two anchor hinges on the popping unit (9). The door is easy to remove for cleaning.

Note: The "Old Maids" drawer is designed to catch un-popped kernels that fall through the sized holes. Occasionally empty the drawer. Debris that may not make it into the drawer should be removed before replacing drawer tray. Loose debris can prevent the drawer from shutting properly.

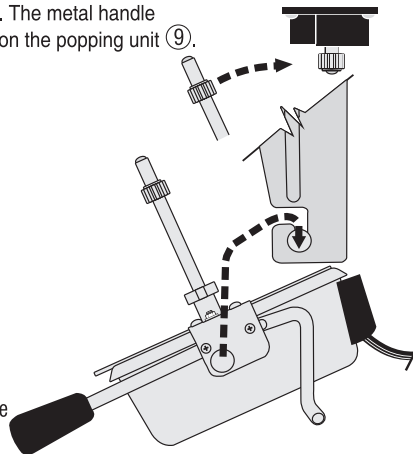
Note: Some models come with single door. The metal handle should align with the magnetic latch on the popping unit (9).

4. The "Old Maids" drawer (13) slides into the opening at the bottom of the popper unit.

CAUTION The pot on this popper will become extremely hot when in use.

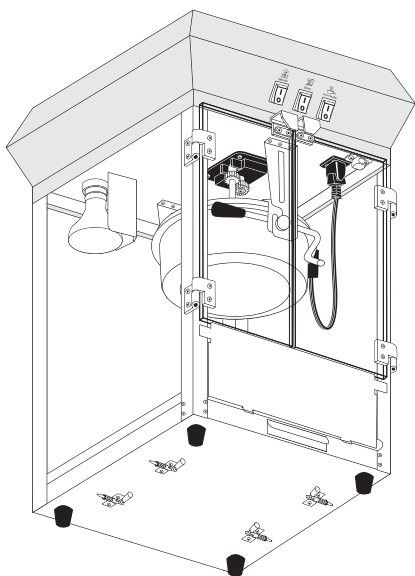
DO NOT Remove or install pot until it is completely cooled off.

DO NOT Load pot before installing or while hot. Avoid steam released from the pot. It can scald and cause severe burns.



Note: Hand bar should be on the door side facing you.

KEEP CHILDREN AWAY FROM HOT POT!



- Before plugging the pot into the cabinet outlet, make sure the pot is seated properly on the hangers, the gear shaft is properly aligned and all the switches are in the off position.

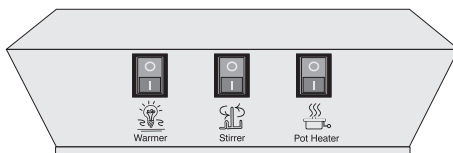
NEVER plug the pot cord directly into a electrical outlet.

- Note:** The upper cabinet is equipped with rubber feet and can be used separate from storage cabinet on a sturdy counter top.
- Do Not** place the popper near a heat source such as a stove or oven. Allow a minimum of 12" of open space on all sides.
- Do Not** place this unit near water or a water source.
- Do Not** use electric circuits that do not meet minimum requirement as specified.

SUCCESS!

Now that you have assembled your popper, you are ready to make popcorn the way it's made in theaters and concessions everywhere. Below are instructions on how to operate your popper. Read them carefully to make yourself a popping expert. When operated correctly your popper will give you many years of service and happiness.

Function Switch A



WARMER

The Warmer switch operates the light in the back left corner of the popper unit and the warming element in the bottom tray. The warmer can be left on for extended periods of time. The two elements work together to keep the popcorn fresh and warm. Ready to Eat!

Warning: Do not dump liquid toppings onto popped corn while in the popper. It will cause a huge mess and result in much clean-up time. Remove popcorn to a serving bowl before adding wet toppings.

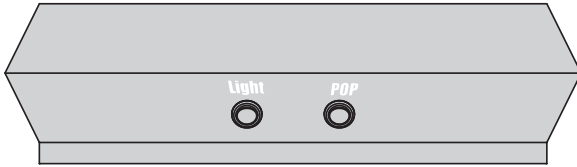
Stirrer

The Stirrer switch operates the stirrer located inside the pot. Make sure it is free of obstruction and the axle gear and the motor gear are properly seated before turning the Stirrer switch on. If pot is not cleaned at appropriate intervals or recommended popping oils are not used, the bottom of the pot will gum with burnt oil and debris. If the stirrer sounds the least bit strained, switch off immediately and solve the problem.

Pot Heater

The Pot Heater switch operates the heating element in the bottom of the pot (Kettle). It is engineered to deliver the perfect temperature for popping Popcorn. **It is extremely hot!** Care should be taken when in close proximity of the pot. When pot is hot use heat resistant gloves. Only touch the safety knob on the pouring handle.

Function Switch B



Light

The Light switch operates the light in the back left corner of the popper unit and the warming element in the bottom tray. The warmer can be left on for extended periods of time. The two elements work together to keep the popcorn fresh and warm. Ready to Eat!

Warning: Do not dump liquid toppings onto popped corn while in the popper. It will cause a huge mess and result in much clean-up time. Remove popcorn to a serving bowl before adding wet toppings.

Note: The Light switch for 4OZ popcorn machine is only for light.

Pop

The Pop switch operates the heating element in the bottom of the pot. (Kettle) It is engineered to deliver the perfect temperature for popping Popcorn. **It is extremely hot!** Care should be taken when in close proximity of the pot. When pot is hot use heat resistant gloves. Only touch the safety knob on the pouring handle.

LESSON ONE: HOW TO MAKE GREAT POPCORN



Warmer



Stirrer



Pot Heater

Important :

NEVER POUR CORN INTO A DRY POT.
TURN POT "OFF" WHEN NOT IN USE.
OPERATING INSTRUCTIONS

1. Switch on the LIGHT and HEATER, add oil (1 TBSP of oil for every 1/2 cup of popcorn), let heat for 3 to 4 minutes.
2. Once oil is heated, turn on the STIRRER switch and add popcorn kernels.
3. Do not exceed 1 cup of popcorn per batch.
4. Once popping has completed, turn off the STIRRER and HEATER switches, carefully dump all popcorn from the kettle

Caution: Kettle will be HOT!

LESSON TWO:

CLEANING AND MAINTENANCE

● After popping cycle is complete, the popping kettle will be very hot. Use extreme care when handling.

CAUTION

- Remember to turn the pop, or heat switch to the OFF position after the finish of the pop cycle.
- Unplug unit BEFORE removing heat kettle from hanger. Use caution not to bump heat lamp bulb during kettle removal.
- To maintain quality taste and popping conditions in your popper, we recommend that you thoroughly clean the heat kettle after using 3 to 4 times or before prolonged periods of storage.
- Turn all switches OFF (I, II & III) and unplug popper from outlet. Allow the popper to thoroughly cool before cleaning.
- Clean all surfaces with a damp cloth. Caution: DO NOT immerse the kettle or any other part of the popper in water. Do not use abrasive cleaners on any part of your machine.

CAUTION: HOT KETTLE!! Handle with oven mitts. Keep children at a safe distance from popper during procedure.

- For consistent and easiest maintenance, use a damp sponge to clean up the main unit, including the body and glasses, after each use.
In order to avoid problems such as electric leakage occurred, when cleaning the machine, please make sure that no water drips into the machine or the kettle.

Customer Service

Contact us through our website: www.teamcustomerservice.com
If you have a question about assembly, use or a possible missing part,
Please contact us and we will be glad to assist you.

THE PERFECT POPPER POPCORN MACHINE

You have purchased our best selling popcorn popper for personal use . By purchasing the Perfect Popper you have joined an elite group of popcorn aficionado's. In the world of popcorn you have now reached the next level. You have left behind the stove top saucepan with a gob of white shortening and a handful of popcorn. Welcome to Pop Culture!

This is a industrial-strength kettle popper. The same kettle used by sport stadiums, theaters,

concession stands, convenience stores and mini-marts. Fresh popcorn for every event in just minutes. A professional popcorn scoop and bags are included. Just form an orderly line, there is plenty for everyone.

We use only the finest grade material and workmanship when manufacturing our poppers. If for any reason our popper doesn't live up to these standards described, please contact our Customer Service.

IMPORTANT SAFEGUARDS and DO NOT'S

- **READ ALL INSTRUCTIONS BEFORE USING YOUR POPCORN MACHINE.**




DANGER! HOT!

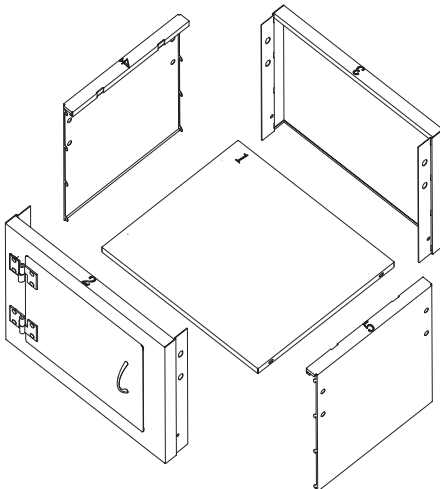
- **EXTREME CAUTION** must be used when dumping kettle after popping action stops, a heat resistant mitt is recommended. Our kettles can reach temperatures **UP TO 475°F**. **DO NOT** touch hot surfaces. Always use handle to operate. Touching the kettle directly **WILL RESULT IN BURNS**.
- **KEEP LOOSE CLOTHING** and other flammables away from hot kettle to avoid combustion, melting, or burns.
- **KEEP PLASTIC BAGS** or other containers not recommended for use away from hot kettles to avoid melting, combustion, or burns from melted plastic.
- **STEAM IS HOT!** It is **NOT** recommended that you open the lids of the kettle when in use or when hot. Escaping steam can **BURN**. Use only the kettle handle to tilt the kettle to extract any hot contents.
- **DO NOT** use this appliance for anything other than the indicated usage. This Popcorn Popper is intended for residential or personal use only. This appliance is **NOT** intended for commercial use.
- The popper must be properly assembled before using it. Follow instructions and recommendations carefully.
- **ONLY** connect to an electrical outlet with the correct electrical supply and proper grounding to reduce the risk of shock and fire. **Do Not** cut or remove the grounding pin. If you do not have a three-prong electric receptacle outlet available, have a certified electrician install a proper outlet. **DO NOT** use a wall receptacle that is not properly grounded. Consult a qualified electrician to make sure your wiring and circuit can handle the

Please Note: First time use, clean inside glass and wipe inside area with damp sponge. Thoroughly wipe inside of stainless steel pot with clean damp sponge before heat is applied.

- electrical load required to operate this appliance.
- Make sure **ALL** switches are in the **"OFF"** position after each use, disconnect power cord from the electric outlet before cleaning.
- **DO NOT** immerse cord or plug into water or other liquids. **DO NOT** use extension cords or adapters to connect the unit to an electrical power source.
- **DO NOT** operate the appliance with damaged cord or plug, malfunction or with any mechanical damages.
- **ALWAYS** wear safety glasses when servicing this popper.
- **DO NOT** move the popper during operation. Allow hot parts to cool down before moving or handling.
- **DO NOT** add kernels into a dry pot (without oil). To avoid overheating, always have oil and kernels ready before turning on heat.
- **DO NOT** place kettle into a dishwasher. **DO NOT** immerse kettle into water.
- **DO NOT** place the unit on or near a gas or electric burner or near a heated oven.
- **DO NOT** use outdoors, in wet environments or near a swimming pool, pond or hot tub/Jacuzzi.
- **DO NOT** use accessories or attachments that are not provided or recommended by manufacturer.
- **KEEP CHILDREN** well away from popper while in operation..
- **DO NOT** use abrasive cleaning products or abrasive cloth or materials on any surface of this machine. Mild synthetic abrasive cloth may be used on inside of pot. Absolutely **NO Steel Wool**.
- **NEVER** force any parts or brackets into position.
- **SAVE** these instructions for future reference.

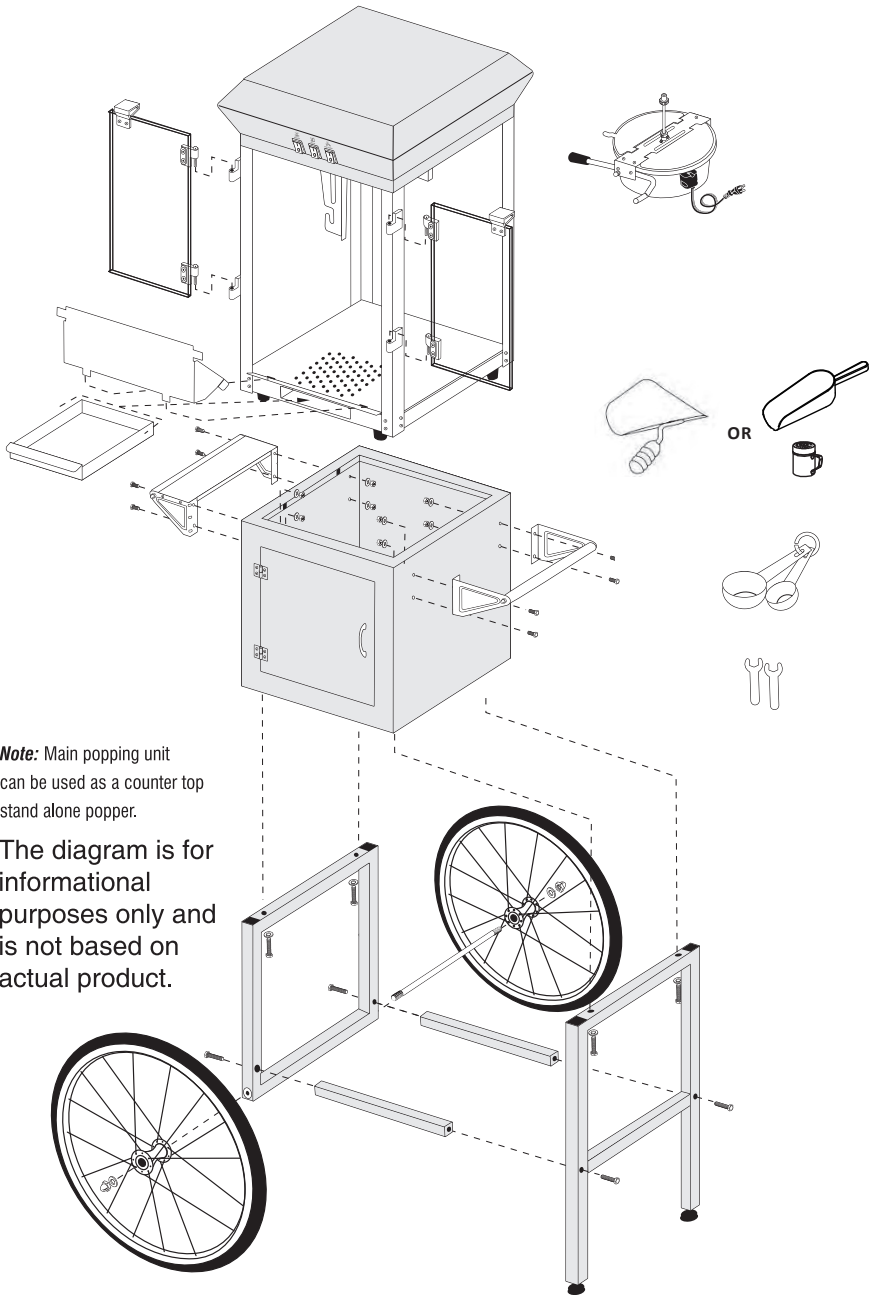
IMPORTANT KNOWLEDGE FOR UNPACKING

Part List					
Part #	COMPONENTS INCLUDED	Qty	Part #	COMPONENTS INCLUDED	Qty
①	Long Stand	1	⑨	Popper Cabinet	1
②	Square Cross Members	2	⑩	Popper Cabinet Door	1
③	Short Wheel Base	1	⑪	Kettle	1
④	Axle	1	⑫	Front Tilt Door	1
⑤	Wheel	2	⑬	Old Maids Drawer	1
⑥	Storage Cabinet	1	⑭	Popcorn Scoop	1
⑦	Hand Rail	1	⑮	Measure Cup Set	1
⑧	Work Platform Some model come with two in one: The Platform & handle Rail assembled together. See picture on right side for reference	1			
Cabinet Assembly Parts					
⑯	Bottom Panel	1	⑰	Left Panel	1
⑰	Front Panel	1	⑳	Right Panel	1
⑱	Back Panel	1			
Hardware					
Package a	Bolts	8	Package c	Cap Nuts	2
	Nuts	8		Washers	2
	Washers	8	Package d	Wrench	2
Package b	Bolts	8	Package e	Bolts	4
	Washers	4		Nuts	4
				Wrench	1



Note: Some models include popcorn serving bags, serving buckets and a decorative magnet sticker.

Note: The cart comes with punching number, it's for manufacturer tooling use only, not for consumer assembly



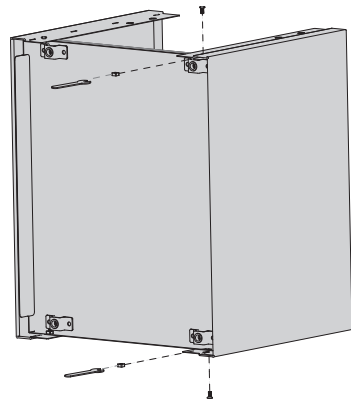
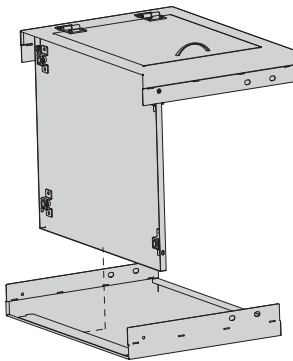
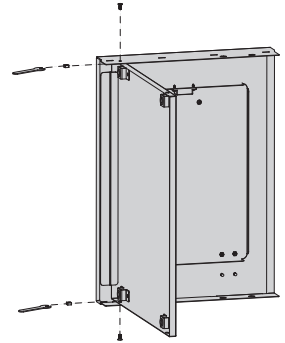
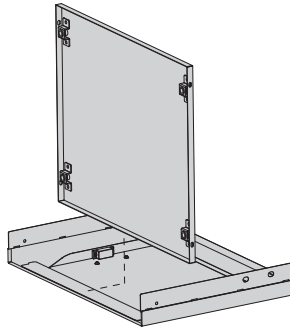
Note: Main popping unit can be used as a counter top stand alone popper.

The diagram is for informational purposes only and is not based on actual product.

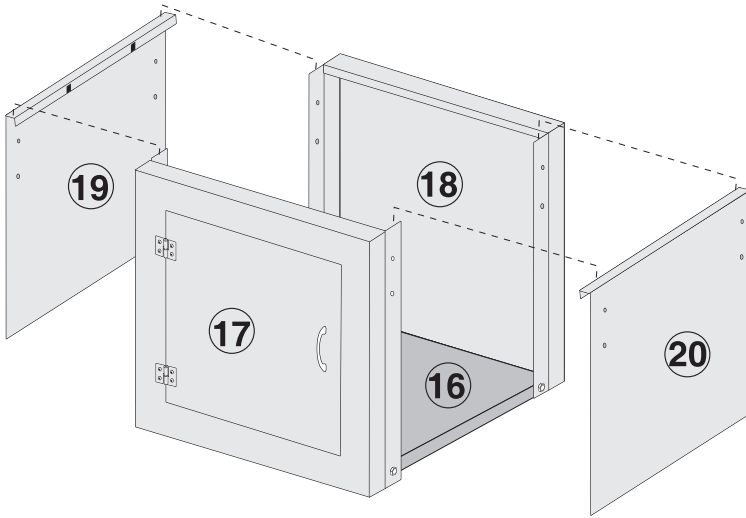
A. Cart Assembly

The cart box is shipped un-assembled. It consists of five pieces. It is easy to assemble. Take care not to scratch the surface of cart box. The art on the cart box makes this machine spectacular.

1. Lay the Front Panel (with door) on a flat clean carpeted surface. Place the Bottom Panel even with the screw holes found near the bottom (illustrated). Use the nuts and screws provided to secure (Package e).

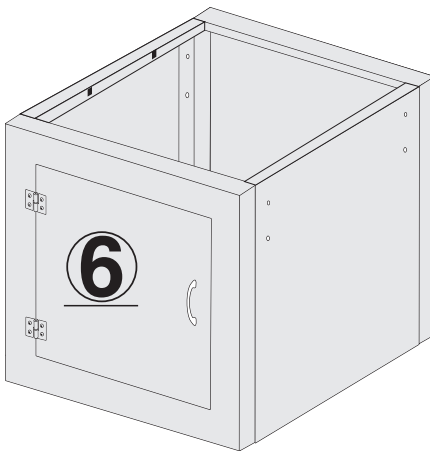


2. Next place the bottom of the back panel (single holes down) even with the screw holes. (illustrated) Use the nuts and screws provided to secure both sides (Package e).



3. The two side panels simply hooked at the top of the front and rear panels.

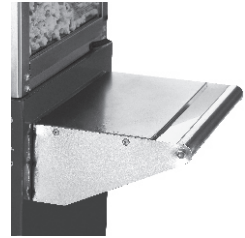
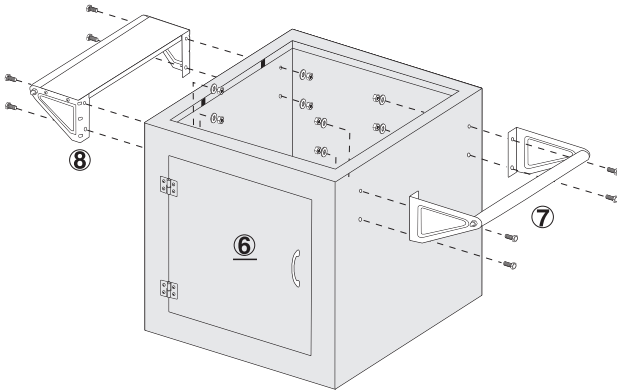
Note: Do not lock into place until all the side lock catches are in a hole. Snap into place. The four pre-drilled holes on each side are aligned for installation of the side handles.



4. Finished assembly.

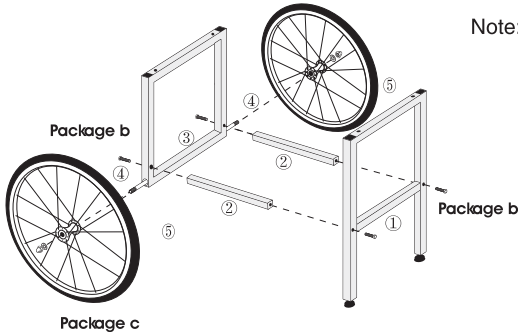
B. ASSEMBLY FULL CART

1. Install the handrail ⑦ onto the right hand side of the storage unit ⑥ and the working platform ⑧ on the left hand side with the nuts, bolts and washers included (Package a). Tighten nuts with wrench provided.

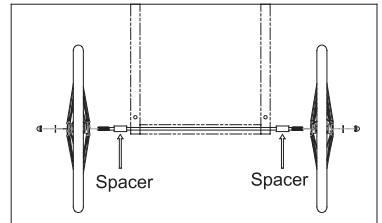


Note: Some models come with two in one: The platform & handle rail assembled together. See above picture for reference

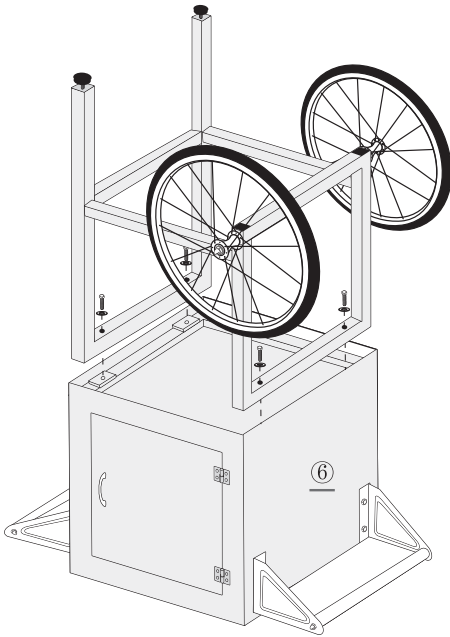
2. Next assemble the cart. Use two 9/16"x 1-3/8"bolts (Package b) provided to connect the long stand ① and the 2 square poles ② together.
3. Connect the assembly in (step 2) with the short stand ③ (it comes with Axle ④ together) by using two 9/16"x 1-3/8"bolts (Package b).
4. Remove two black rubber protectors which on the end of Axle ④. Place two wheels on the two ends of Axle ④. Next place Cap Nut and Washer provided (Package c) onto the exposed end of the Axle ④. Tighten cap nut with wrench provided (Package d). Check cap nut tightness periodically during routine maintenance.



Note: The diagram is for reference only.



Note: Some models come with two Spacers.



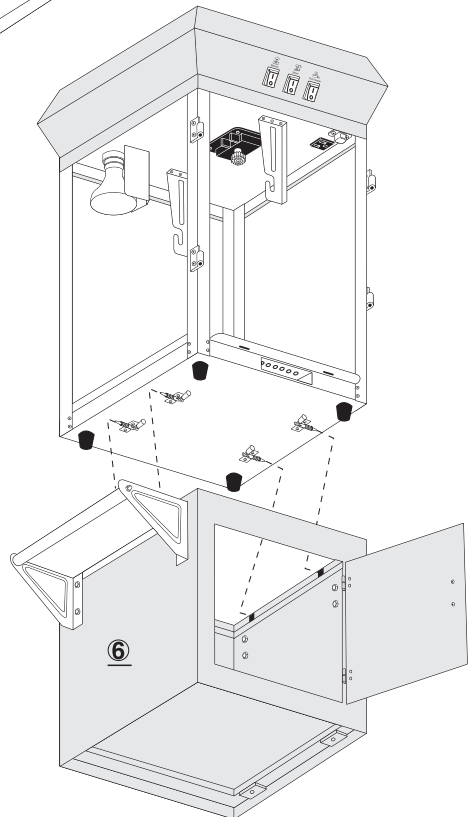
5. Turn the storage cabinet ⑥ up side down for convenient assembly. Insert both ends of the short and long stands onto the bottom of cabinet (wheels opposite of the handle attachment) and attach with bolts (Package b). Use wrench provided to thoroughly tighten bolts. Turn the completed unit back to up-right position.

Note: This task should be performed on carpet or a section of cardboard to avoid scraping the cabinet or damaging your floor. Keep the Hand Rail ⑦ and wheels ⑤ on opposite side.

This is a two person task.

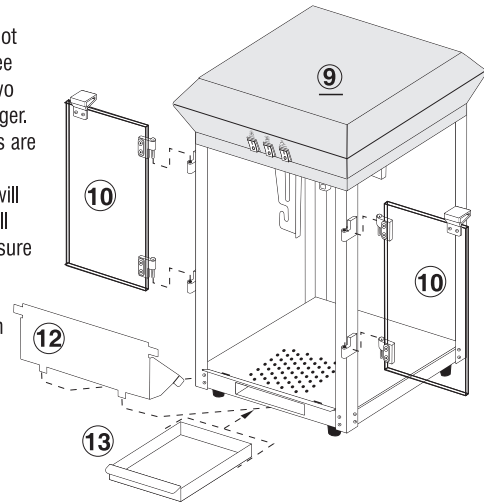
6. Place the main popper unit ⑨ onto the topside of the storage cabinet ⑥. Use the four spring loaded latches to secure the popping unit to the storage cabinet.

Caution: Do not attempt to move your popper without securing the latches. The popping unit will topple off causing property and/or personal damage.



C. ASSEMBLY MAIN POPPER

1. Place the pot (11) onto the hangers located in the popper unit. Hold the pot centered at approximately a 70 degree angle as illustrated here. Place the two hanger bars into the slots on the hanger. **Do Not force.** Make sure the hangers are well seated before swinging the axle shaft up to the motor. The roller pin will fit into the niche on the motor and will help align the gears. Check to make sure the gears properly meshed together before starting the motor. plug the pot into the outlet located on the ceiling of the popper cabinet.



2. Align the two bottom tabs on the Stainless Steel tilt door (12) with the slots on the bottom platform of the popping unit. The side panels will bend in slightly to maneuver past the corner rails.
3. The glass door (10) simply slides into the two anchor hinges on the popping unit (9). The door is easy to remove for cleaning.

Note: The "Old Maids" drawer is designed to catch un-popped kernels that fall through the sized holes. Occasionally empty the drawer. Debris that may not make it into the drawer should be removed before replacing drawer tray. Loose debris can prevent the drawer from shutting properly.

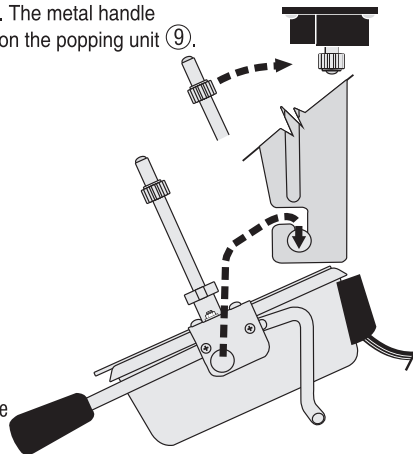
Note: Some models come with single door. The metal handle should align with the magnetic latch on the popping unit (9).

4. The "Old Maids" drawer (13) slides into the opening at the bottom of the popper unit.

CAUTION The pot on this popper will become extremely hot when in use.

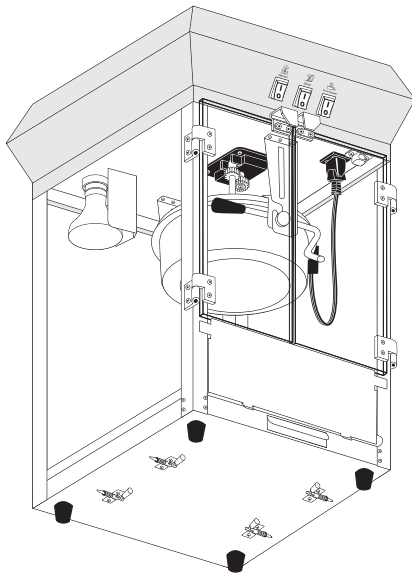
DO NOT Remove or install pot until it is completely cooled off.

DO NOT Load pot before installing or while hot. Avoid steam released from the pot. It can scald and cause severe burns.



Note: Hand bar should be on the door side facing you.

KEEP CHILDREN AWAY FROM HOT POT!



- Before plugging the pot into the cabinet outlet, make sure the pot is seated properly on the hangers, the gear shaft is properly aligned and all the switches are in the off position.

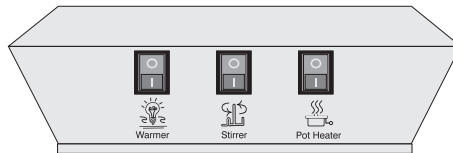
NEVER plug the pot cord directly into a electrical outlet.

- Note:** The upper cabinet is equipped with rubber feet and can be used separate from storage cabinet on a sturdy counter top.
- Do Not** place the popper near a heat source such as a stove or oven. Allow a minimum of 12" of open space on all sides.
- Do Not** place this unit near water or a water source.
- Do Not** use electric circuits that do not meet minimum requirement as specified.

SUCCESS!

Now that you have assembled your popper, you are ready to make popcorn the way it's made in theaters and concessions everywhere. Below are instructions on how to operate your popper. Read them carefully to make yourself a popping expert. When operated correctly your popper will give you many years of service and happiness.

Function Switch A



WARMER

The Warmer switch operates the light in the back left corner of the popper unit and the warming element in the bottom tray. The warmer can be left on for extended periods of time. The two elements work together to keep the popcorn fresh and warm. Ready to Eat!

Warning: Do not dump liquid toppings onto popped corn while in the popper. It will cause a huge mess and result in much clean-up time. Remove popcorn to a serving bowl before adding wet toppings.

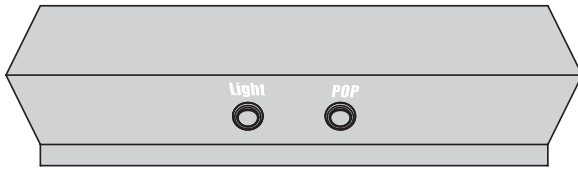
Stirrer

The Stirrer switch operates the stirrer located inside the pot. Make sure it is free of obstruction and the axle gear and the motor gear are properly seated before turning the Stirrer switch on. If pot is not cleaned at appropriate intervals or recommended popping oils are not used, the bottom of the pot will gum with burnt oil and debris. If the stirrer sounds the least bit strained, switch off immediately and solve the problem.

Pot Heater

The Pot Heater switch operates the heating element in the bottom of the pot (Kettle). It is engineered to deliver the perfect temperature for popping Popcorn. **It is extremely hot!** Care should be taken when in close proximity of the pot. When pot is hot use heat resistant gloves. Only touch the safety knob on the pouring handle.

Function Switch B



Light

The Light switch operates the light in the back left corner of the popper unit and the warming element in the bottom tray. The warmer can be left on for extended periods of time. The two elements work together to keep the popcorn fresh and warm. Ready to Eat!

Warning: Do not dump liquid toppings onto popped corn while in the popper. It will cause a huge mess and result in much clean-up time. Remove popcorn to a serving bowl before adding wet toppings.

Note: The Light switch for 4OZ popcorn machine is only for light.

Pop

The Pop switch operates the heating element in the bottom of the pot. (Kettle) It is engineered to deliver the perfect temperature for popping Popcorn. **It is extremely hot!** Care should be taken when in close proximity of the pot. When pot is hot use heat resistant gloves. Only touch the safety knob on the pouring handle.

LESSON ONE: HOW TO MAKE GREAT POPCORN



Warmer



Stirrer



Pot Heater

Important :

NEVER POUR CORN INTO A DRY POT.
TURN POT "OFF" WHEN NOT IN USE.
OPERATING INSTRUCTIONS

1. Switch on the LIGHT and HEATER, add oil (1 TBSP of oil for every 1/2 cup of popcorn), let heat for 3 to 4 minutes.
2. Once oil is heated, turn on the STIRRER switch and add popcorn kernels.
3. Do not exceed 1 cup of popcorn per batch.
4. Once popping has completed, turn off the STIRRER and HEATER switches, carefully dump all popcorn from the kettle

Caution: Kettle will be HOT!

LESSON TWO:

CLEANING AND MAINTENANCE

● After popping cycle is complete, the popping kettle will be very hot. Use extreme care when handling.

CAUTION

- Remember to turn the pop, or heat switch to the OFF position after the finish of the pop cycle.
- Unplug unit BEFORE removing heat kettle from hanger. Use caution not to bump heat lamp bulb during kettle removal.
- To maintain quality taste and popping conditions in your popper, we recommend that you thoroughly clean the heat kettle after using 3 to 4 times or before prolonged periods of storage.
- Turn all switches OFF (I, II & III) and unplug popper from outlet. Allow the popper to thoroughly cool before cleaning.
- Clean all surfaces with a damp cloth. Caution: DO NOT immerse the kettle or any other part of the popper in water. Do not use abrasive cleaners on any part of your machine.

CAUTION: HOT KETTLE!! Handle with oven mitts. Keep children at a safe distance from popper during procedure.

- For consistent and easiest maintenance, use a damp sponge to clean up the main unit, including the body and glasses, after each use.
In order to avoid problems such as electric leakage occurred, when cleaning the machine, please make sure that no water drips into the machine or the kettle.

Customer Service

Contact us through our website: www.teamcustomerservice.com
If you have a question about assembly, use or a possible missing part,
Please contact us and we will be glad to assist you.