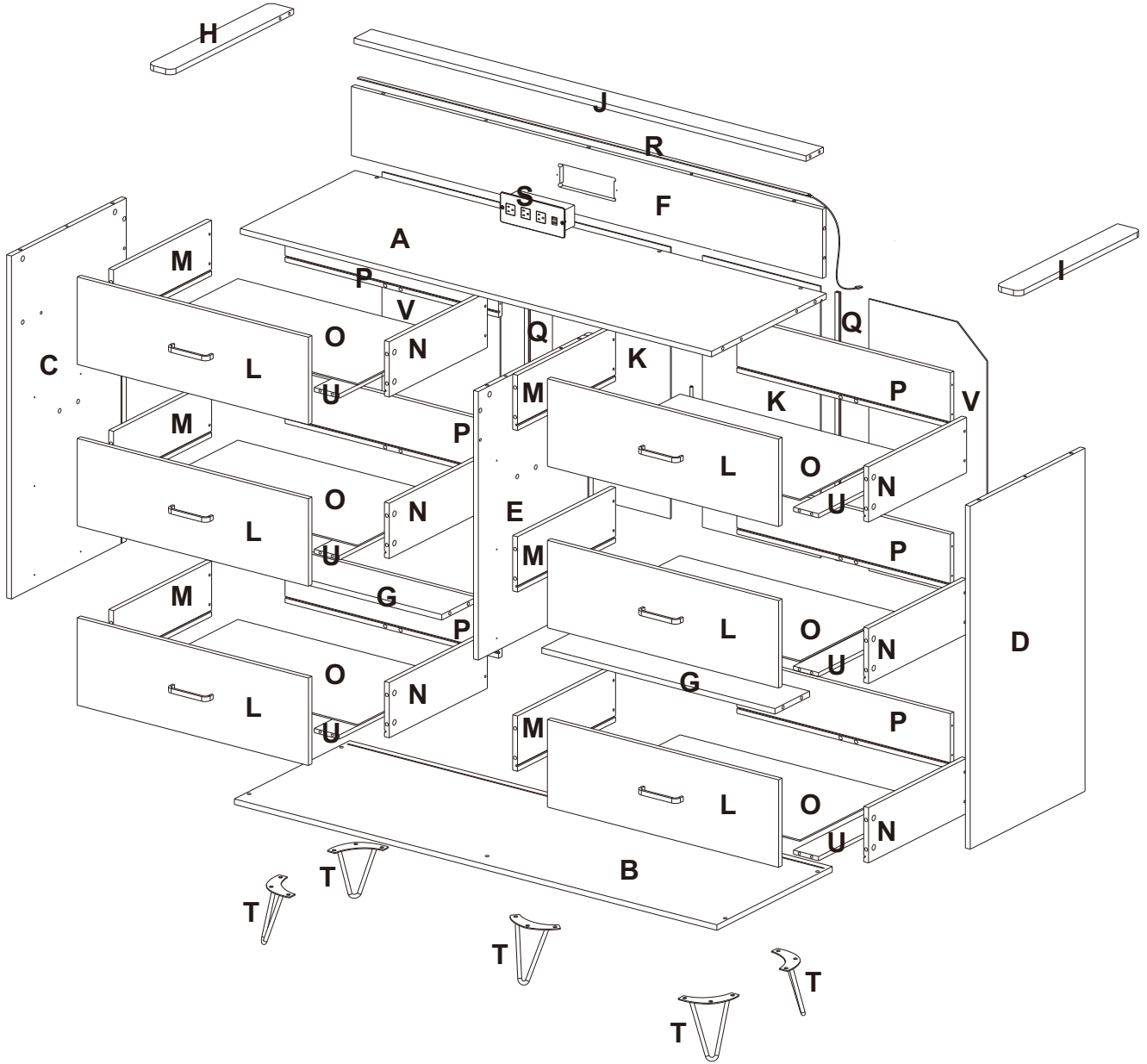


# INSTALLATION INSTRUCTION

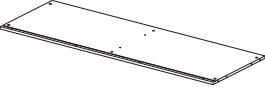
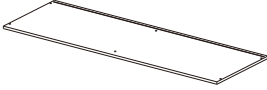
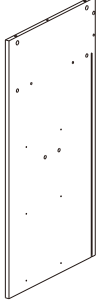
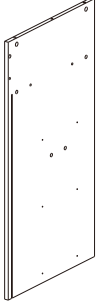

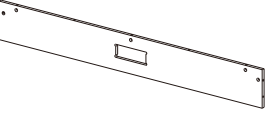
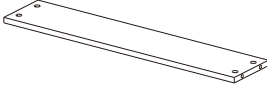
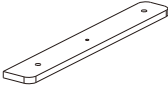
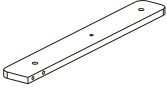

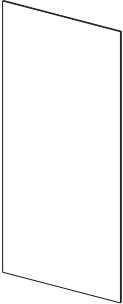
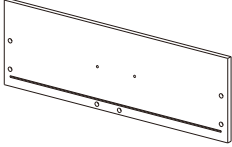
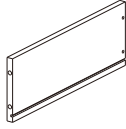
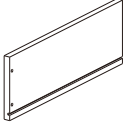

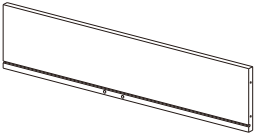

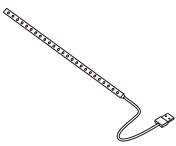
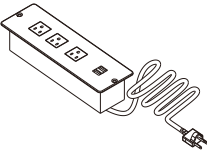

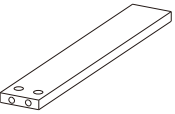
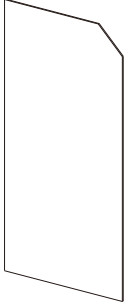


Thank you for purchasing our products. Please contact us if you have difficulty with assembly or need replacement parts. Our customer service is here to assist you. Please attach your User Name and Order ID so that we can assist you better.  
[support@jojoka.net](mailto:support@jojoka.net)

# BOARD IDENTIFICATION



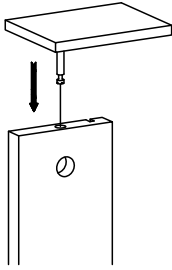
# BOARD IDENTIFICATION

				
<b>Ax1</b>	<b>Bx1</b>	<b>Cx1</b>	<b>Dx1</b>	<b>Ex1</b>
				
<b>Fx1</b>	<b>Gx2</b>	<b>Hx1</b>	<b>Ix1</b>	<b>Jx1</b>
				
<b>Kx2</b>	<b>Lx6</b>	<b>Mx6</b>	<b>Nx6</b>	<b>Ox6</b>
				
<b>Px6</b>	<b>Qx2</b>	<b>Rx1</b>	<b>Sx1</b>	<b>Tx5</b>
				
<b>Ux6</b>	<b>Vx2</b>			

# BOARD IDENTIFICATION

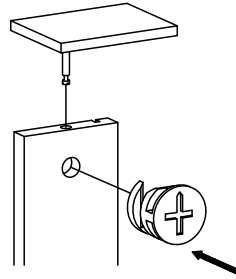
## Installation of Eccentric Wheel Nut Set

1



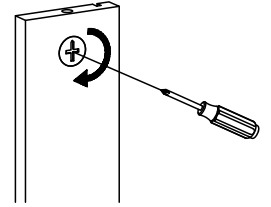
Screw the end of cambolt on the board, find the corresponding board and insert the other end.

2

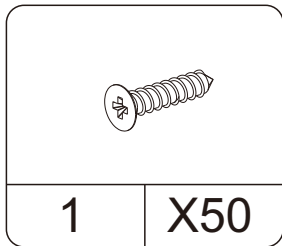


Stuff the camlock into the round hole. The arrowpoints to the cambolt.

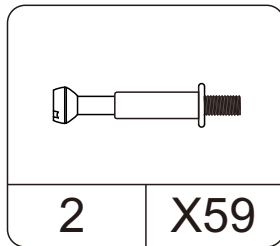
3



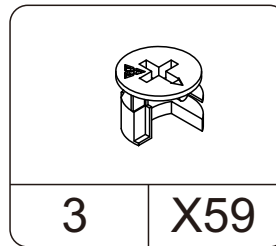
Turn clockwise about 180° to lock the plate.



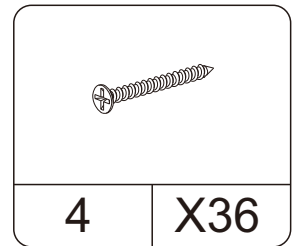
Screws  
M4X10



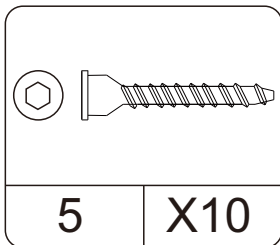
Cam bolt  
Ø6X18



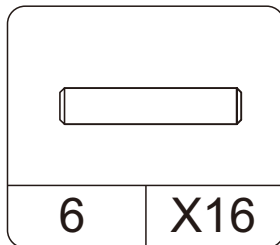
Cam lock  
Ø 12X10



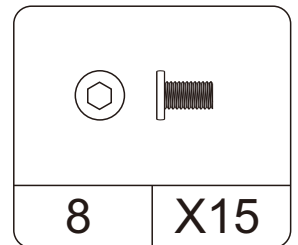
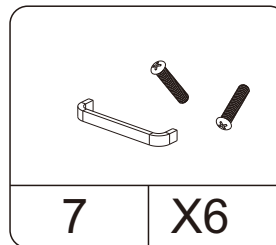
Screws  
M4x30



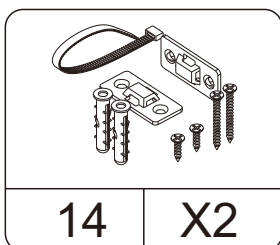
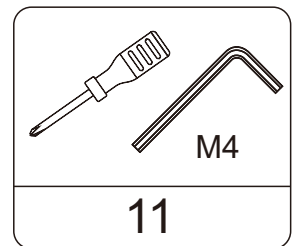
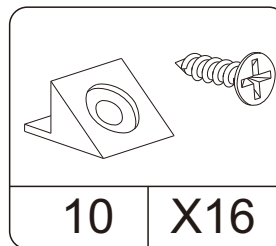
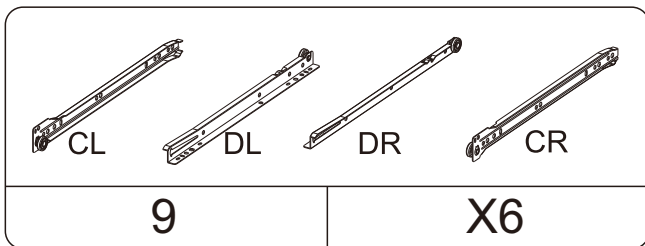
Screws  
M6.3x50



Wood dowel  
Ø6X30

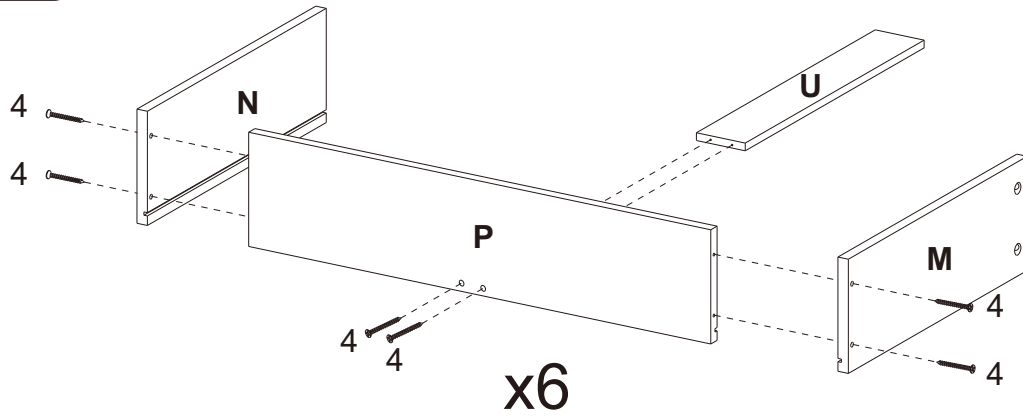
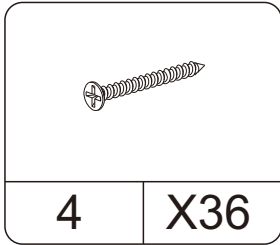


Screws  
M6x10

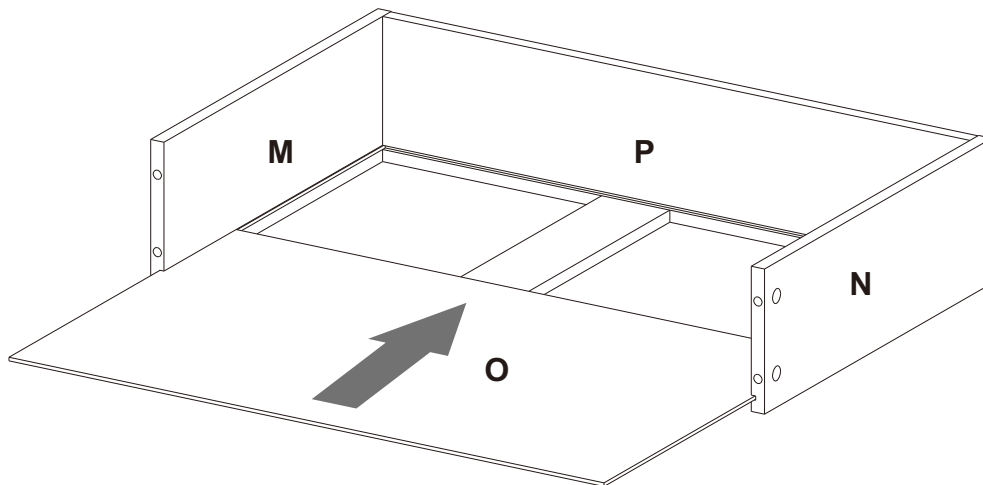


# INSTALLATION STEPS

STEP1:



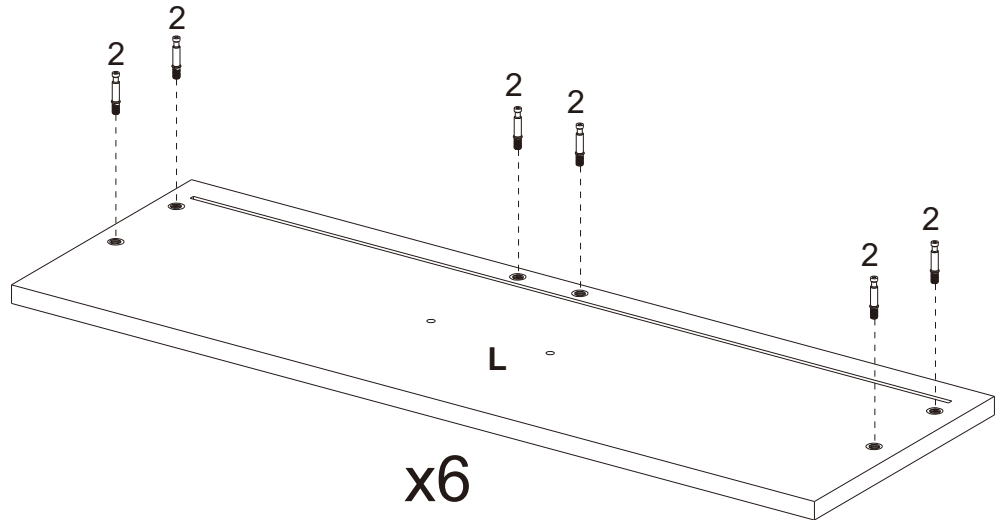
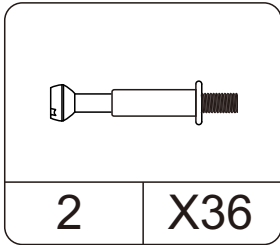
STEP2:



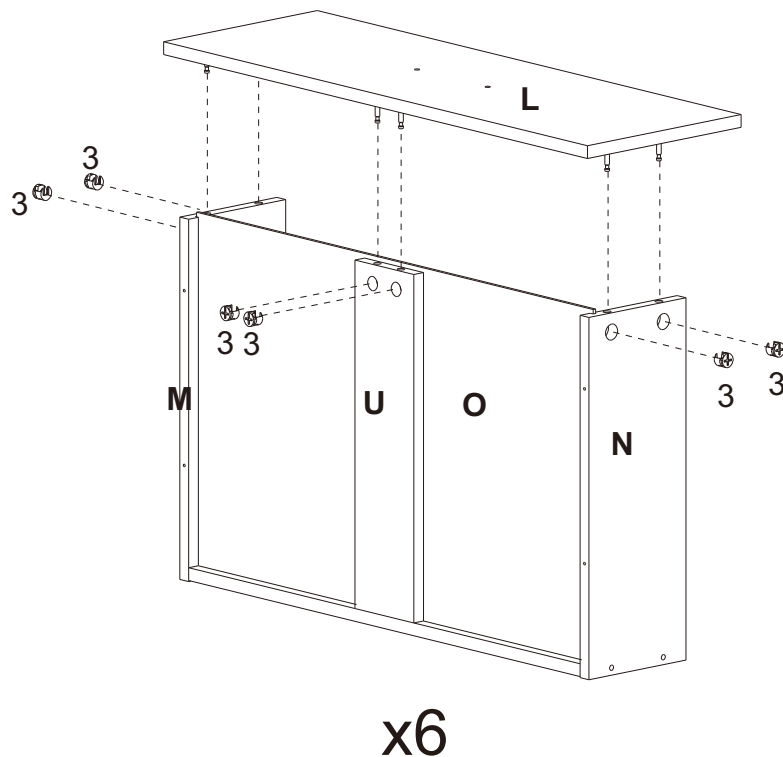
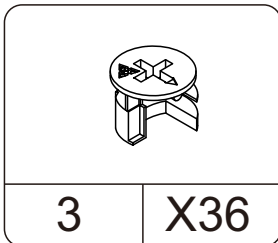
x6

# INSTALLATION STEPS

## STEP3:

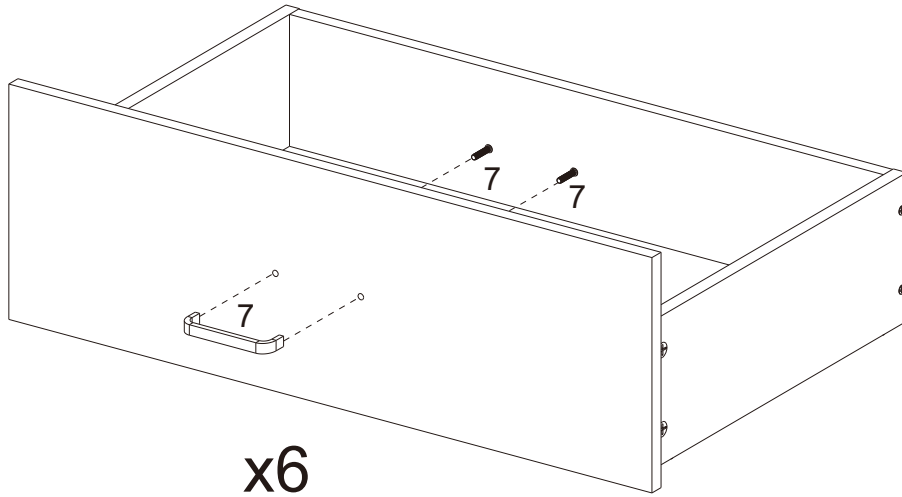
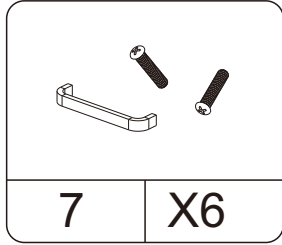


## STEP4:

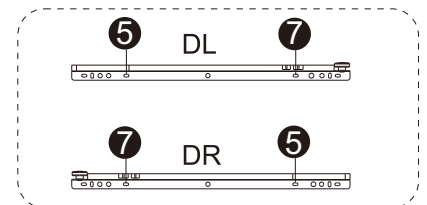
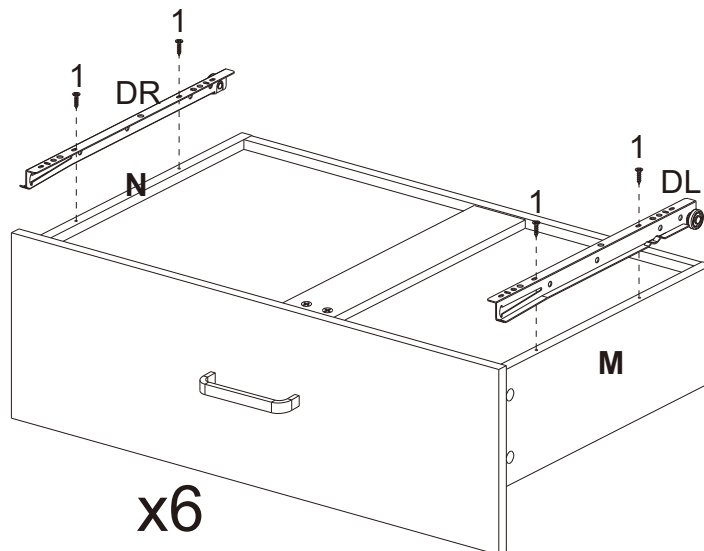
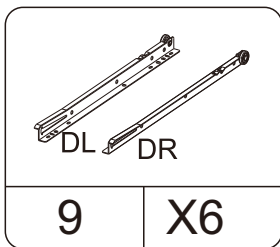
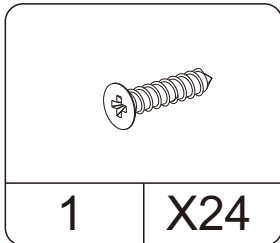


# INSTALLATION STEPS

## STEP5:

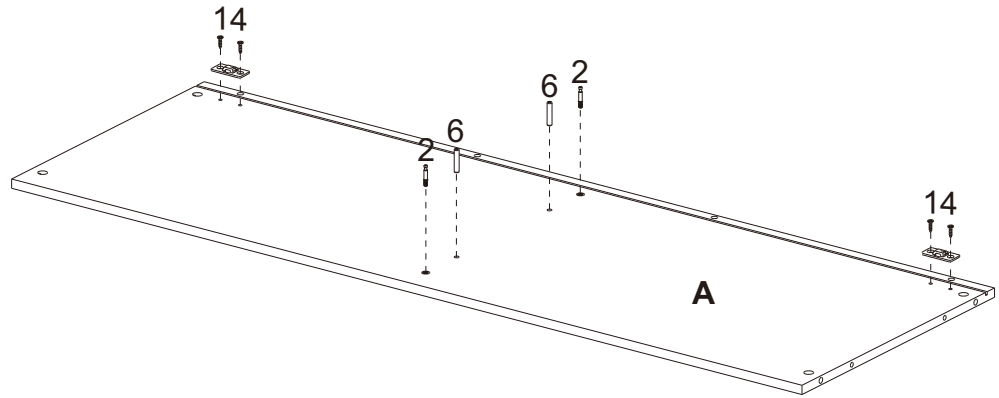
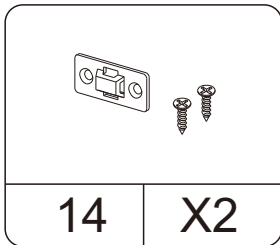
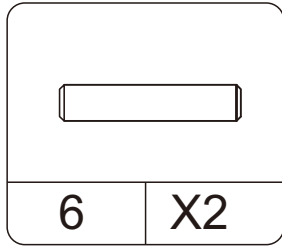
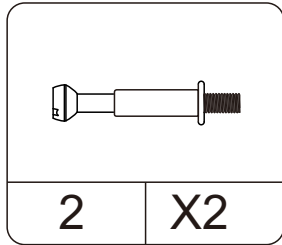


## STEP6:

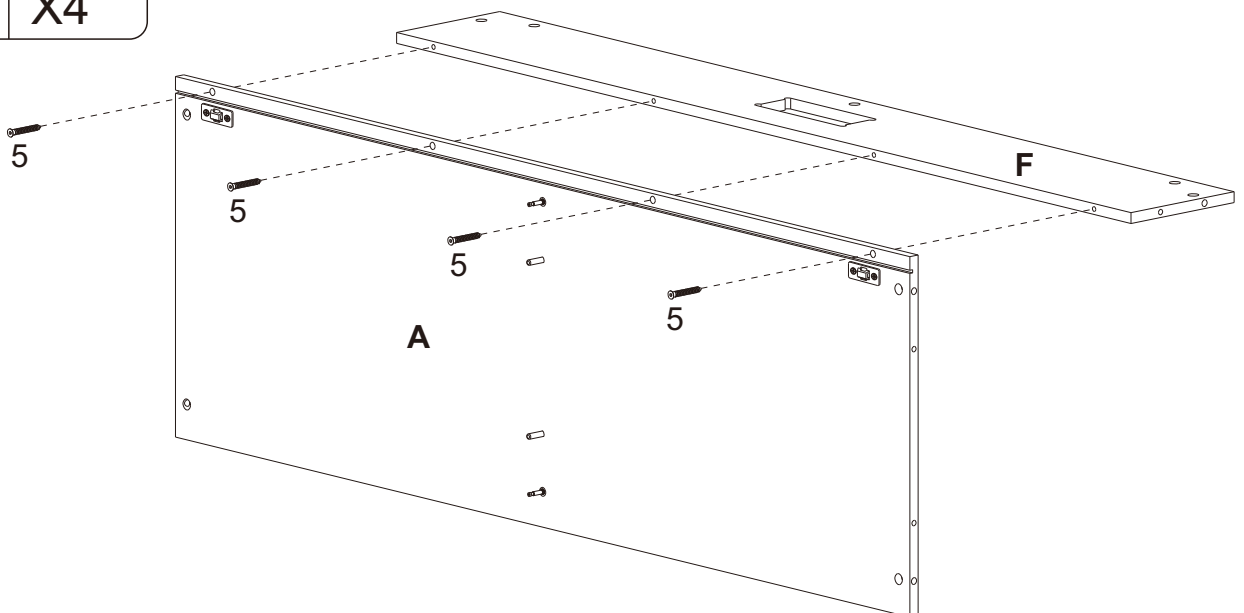
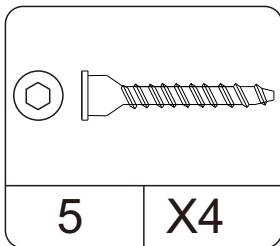


# INSTALLATION STEPS

## STEP7:

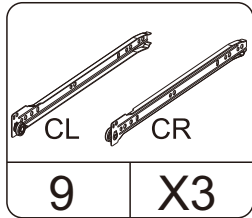
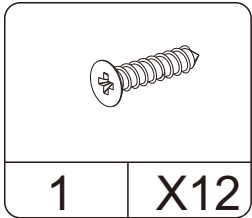
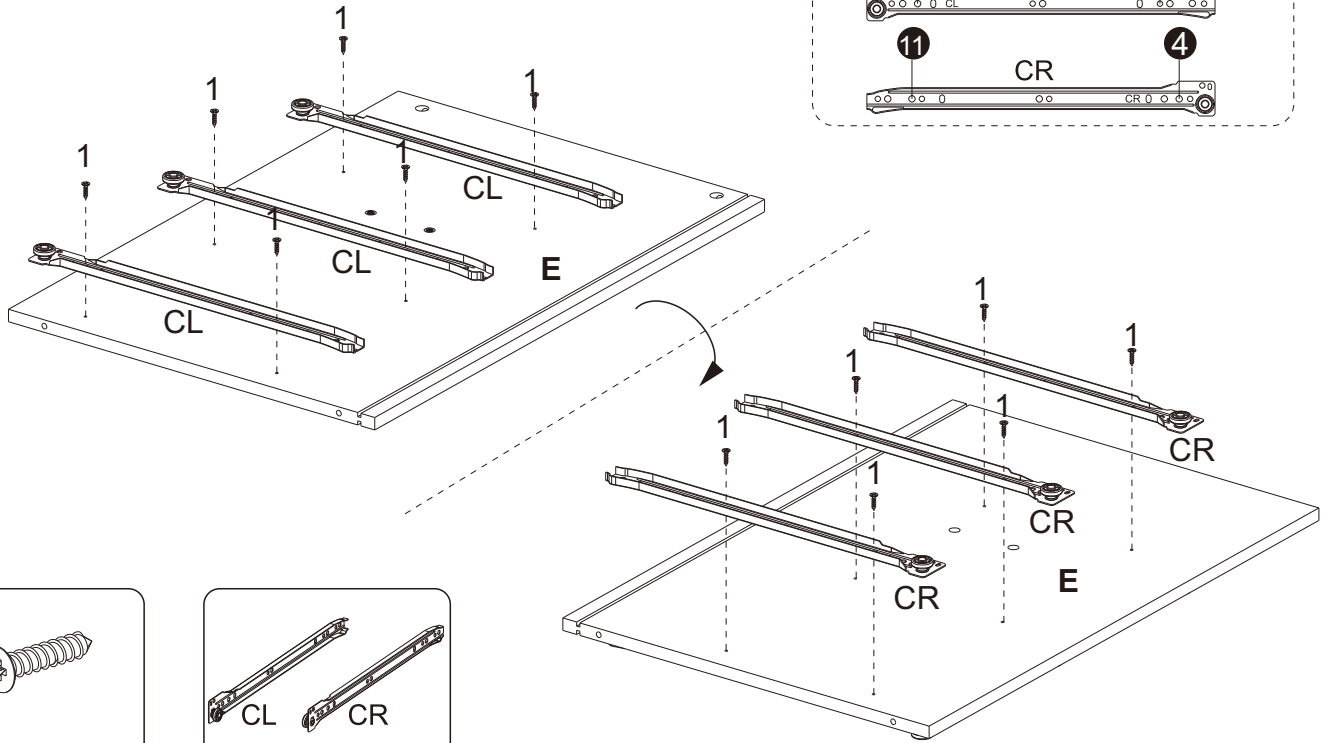


## STEP8:

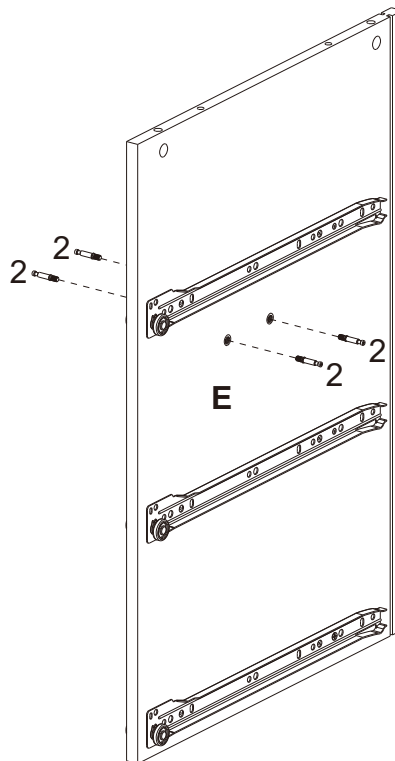
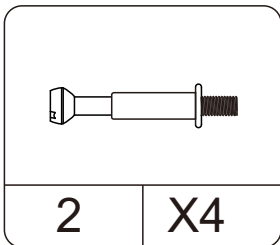


# INSTALLATION STEPS

## STEP9:

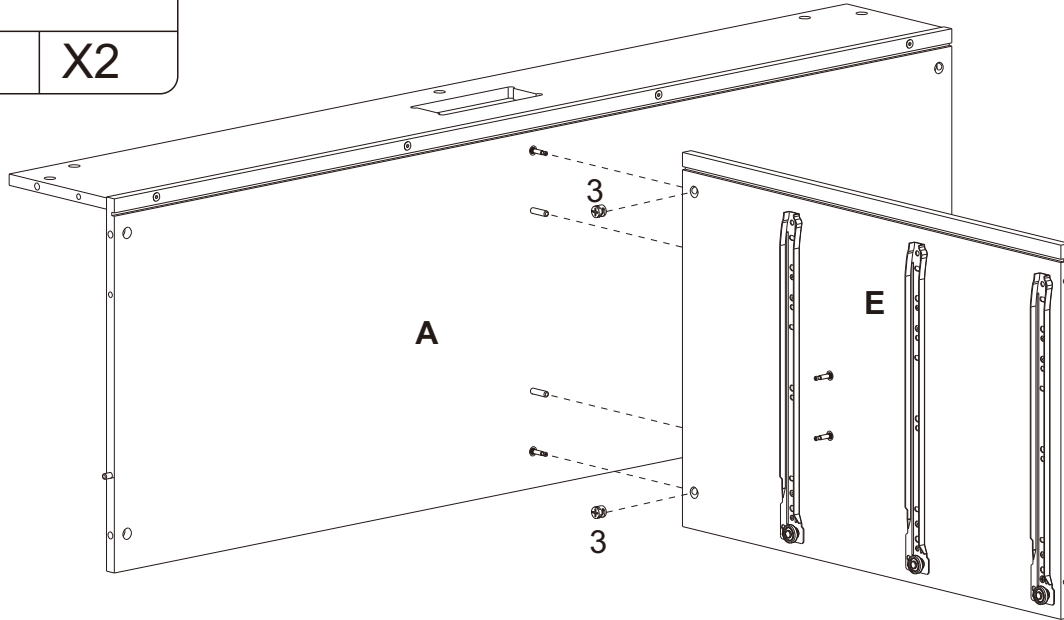
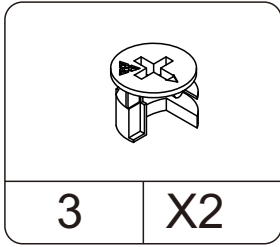


## STEP10:

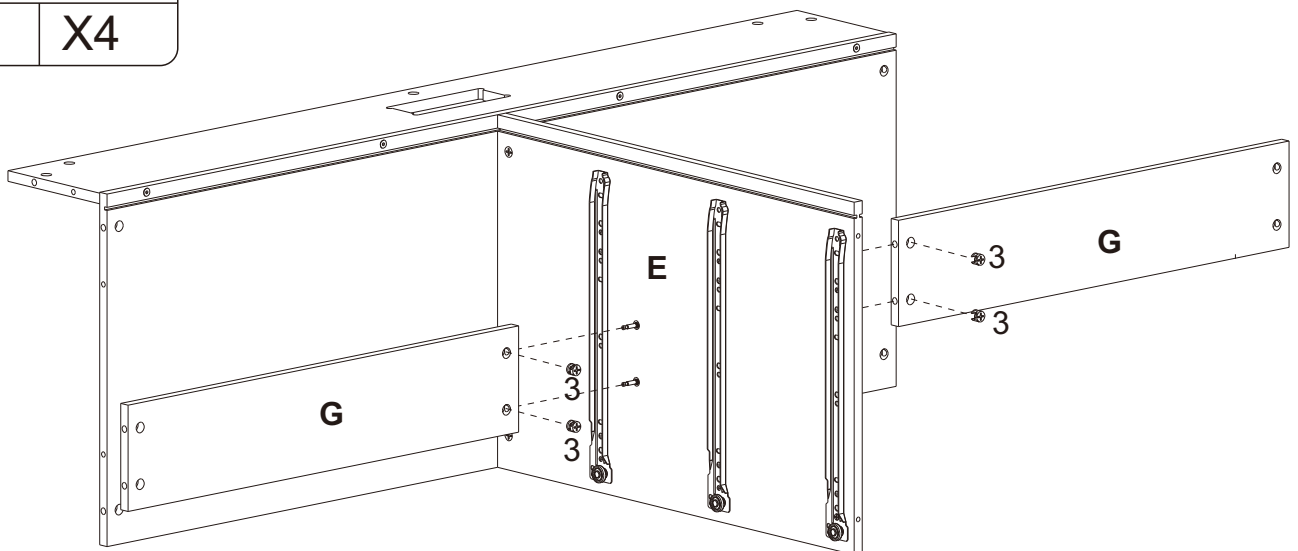
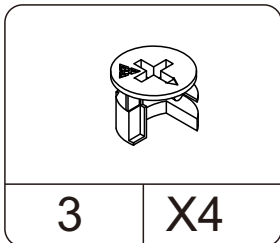


# INSTALLATION STEPS

## STEP11:

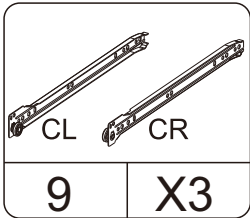
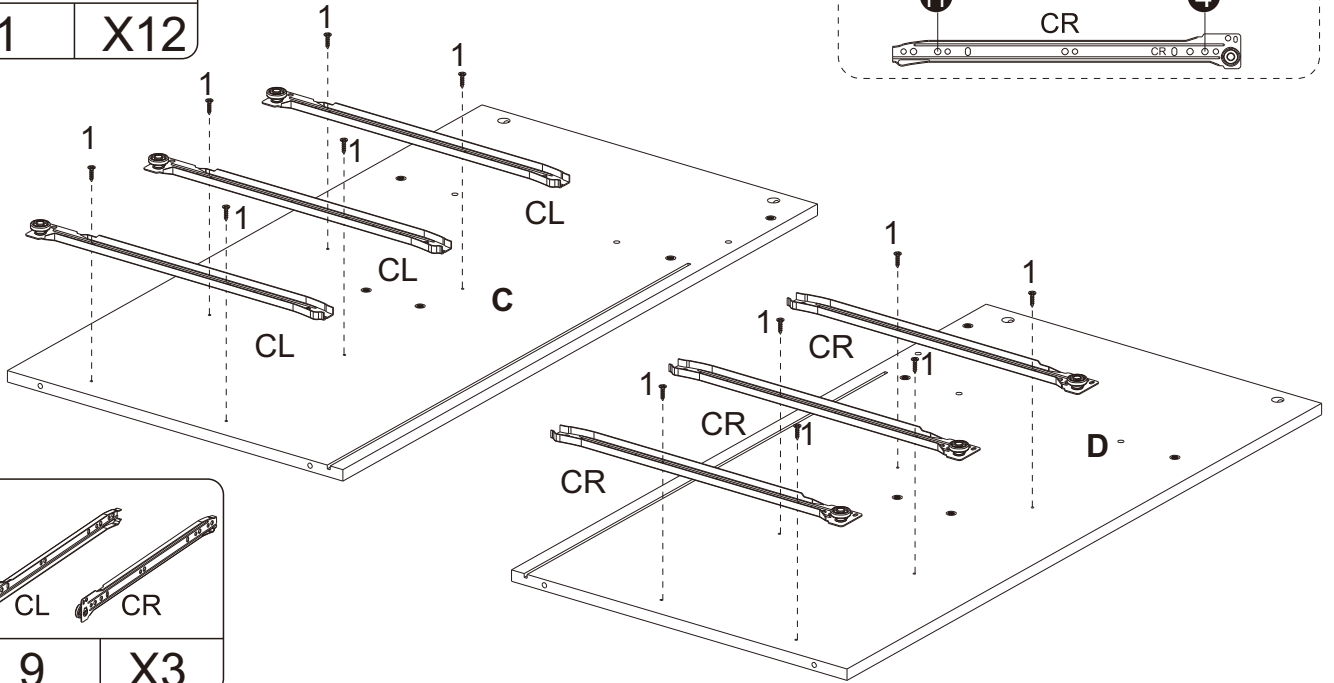
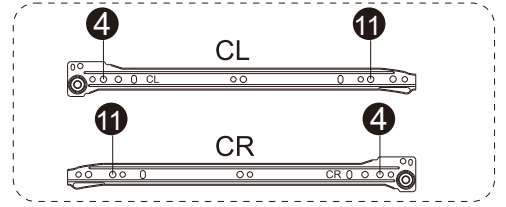
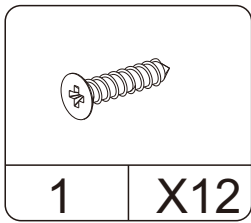


## STEP12:

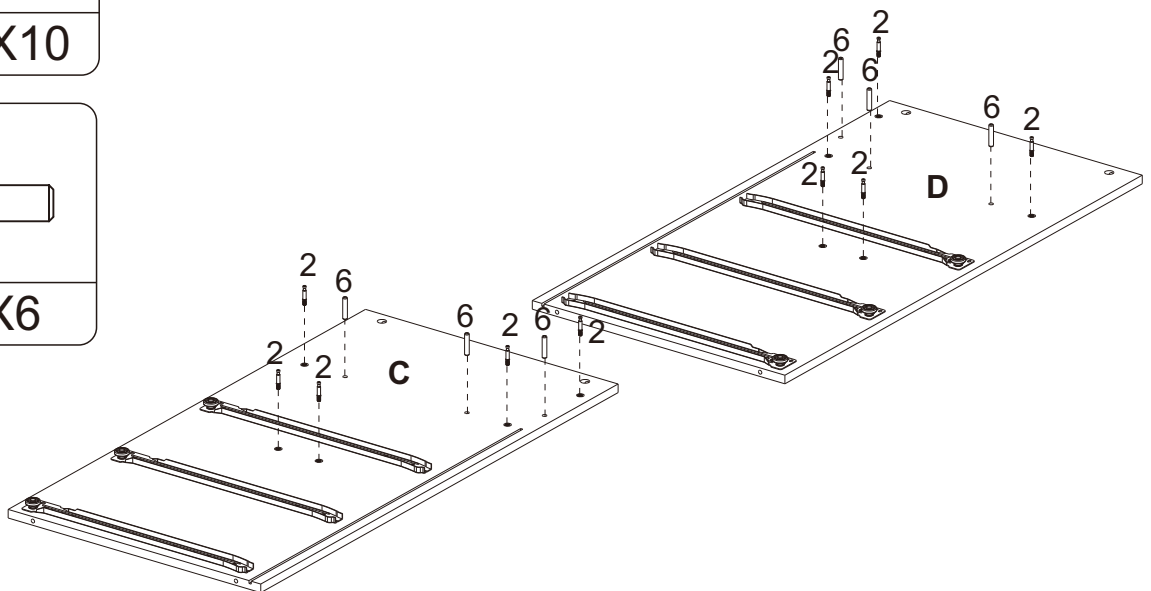
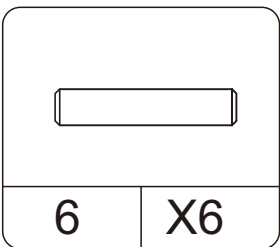
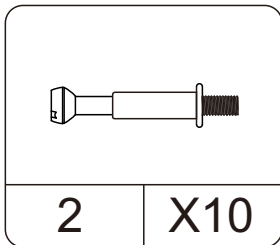


# INSTALLATION STEPS

## STEP13:

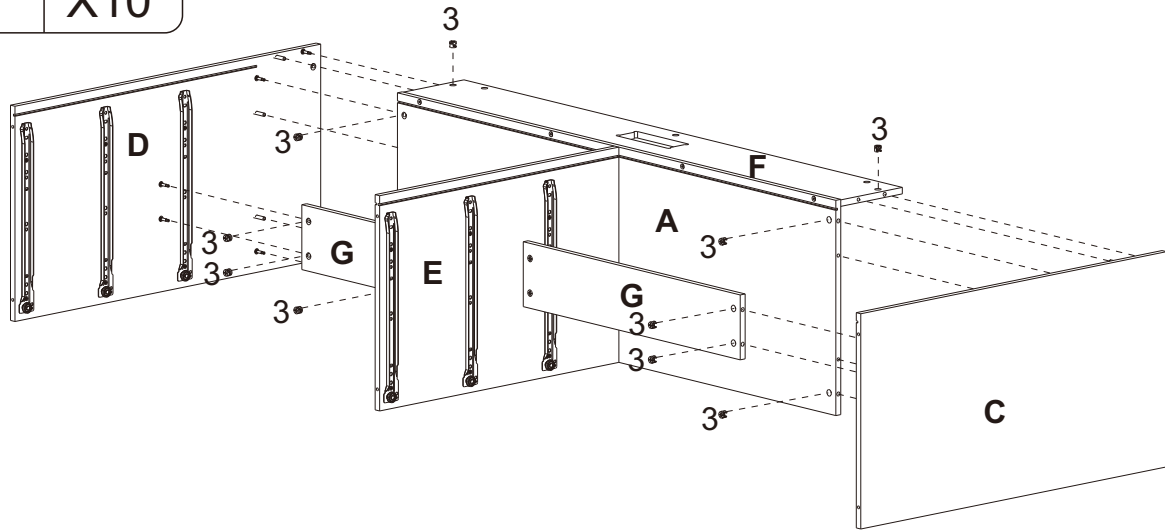
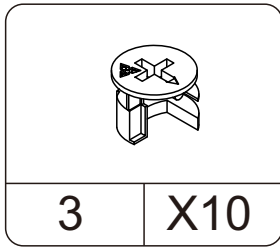


## STEP14:

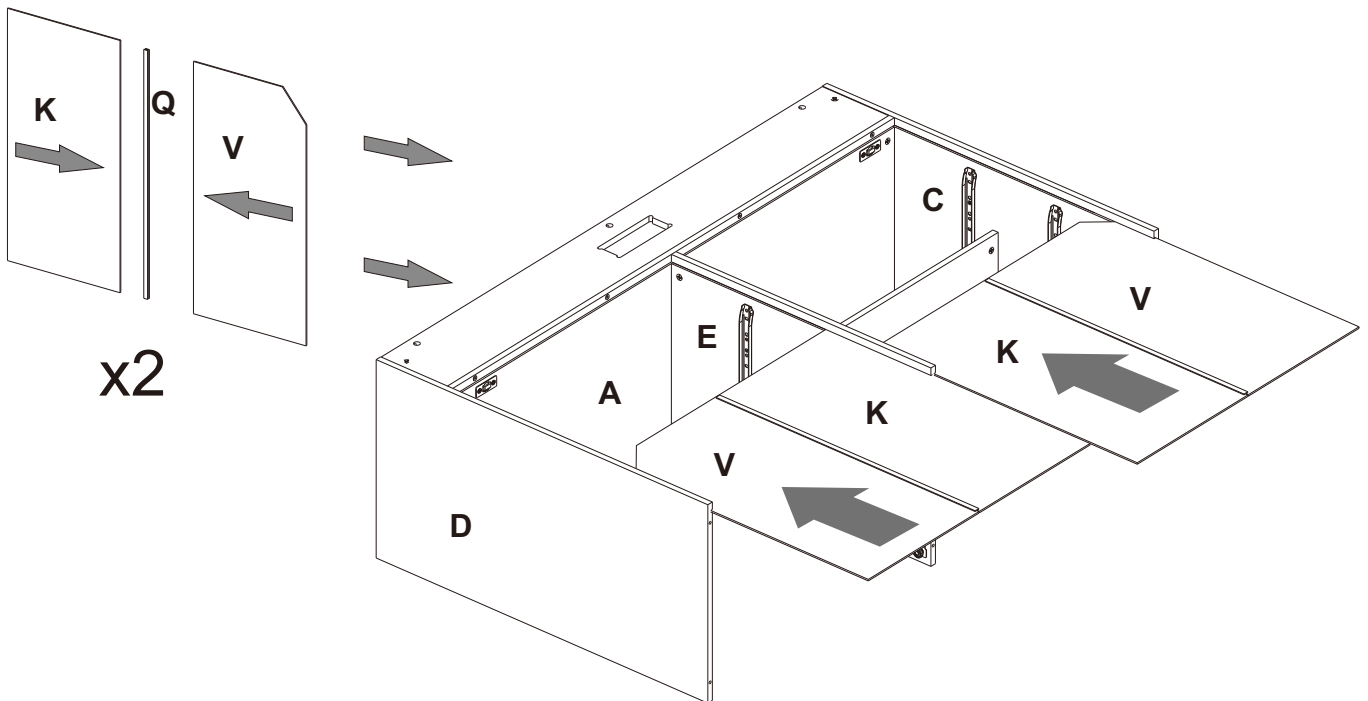


# INSTALLATION STEPS

## STEP15:

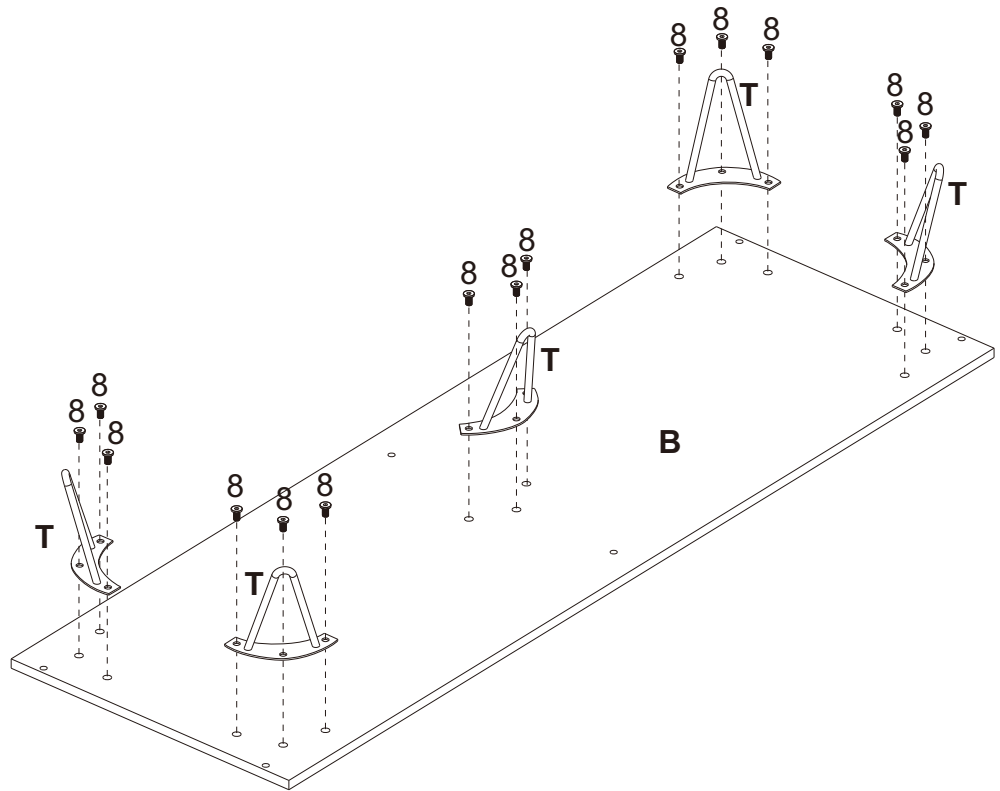
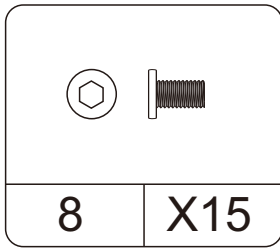


## STEP16:

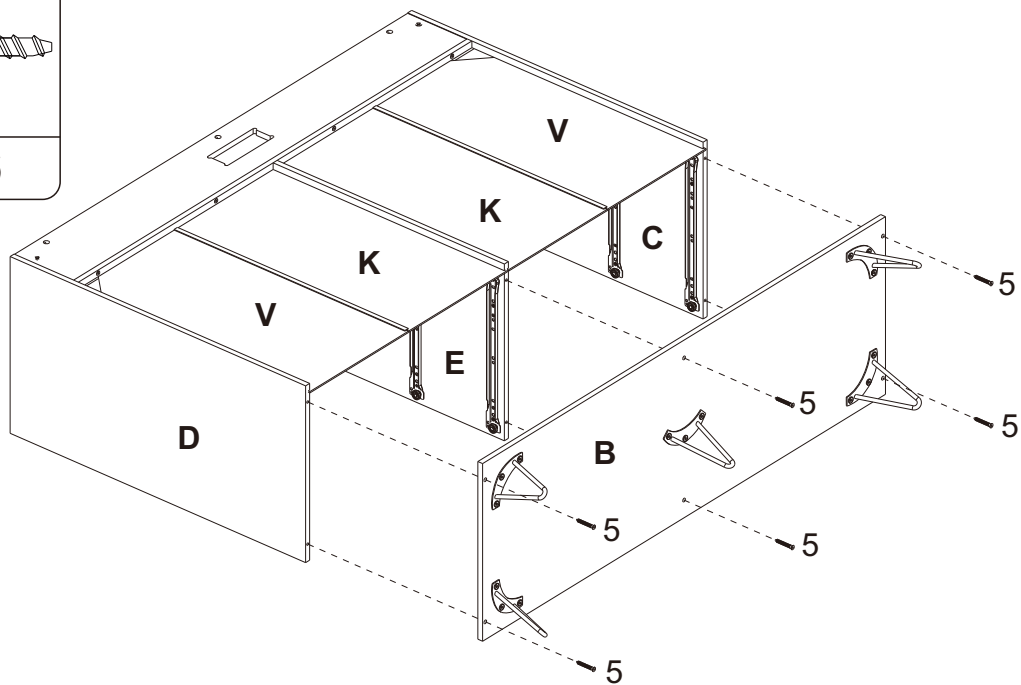
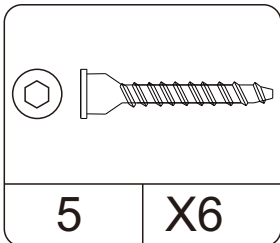


# INSTALLATION STEPS

## STEP17:

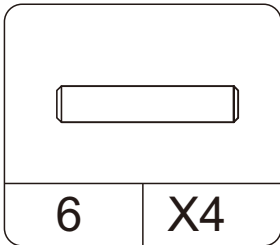
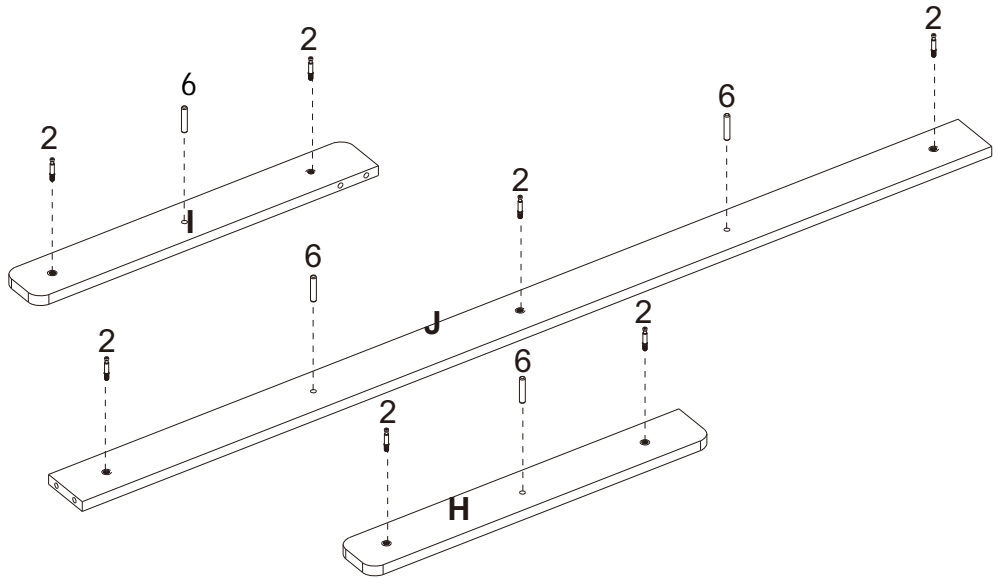
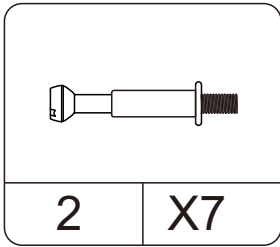


## STEP18:

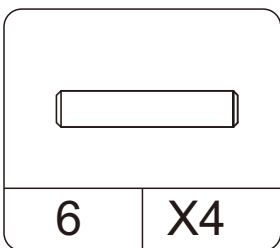
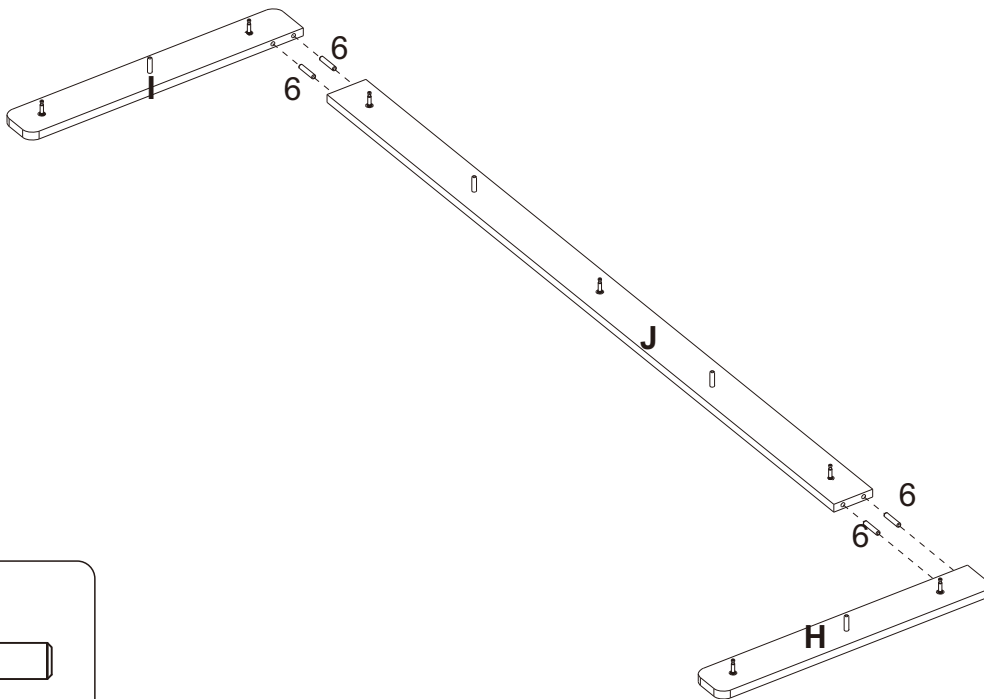


# INSTALLATION STEPS

## STEP19:

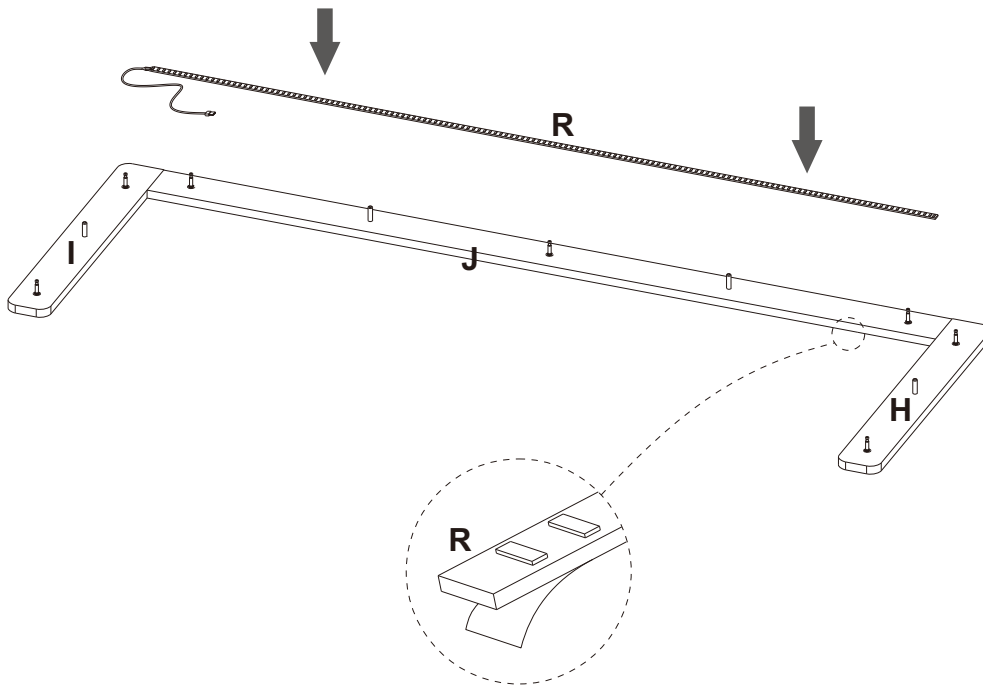


## STEP20:

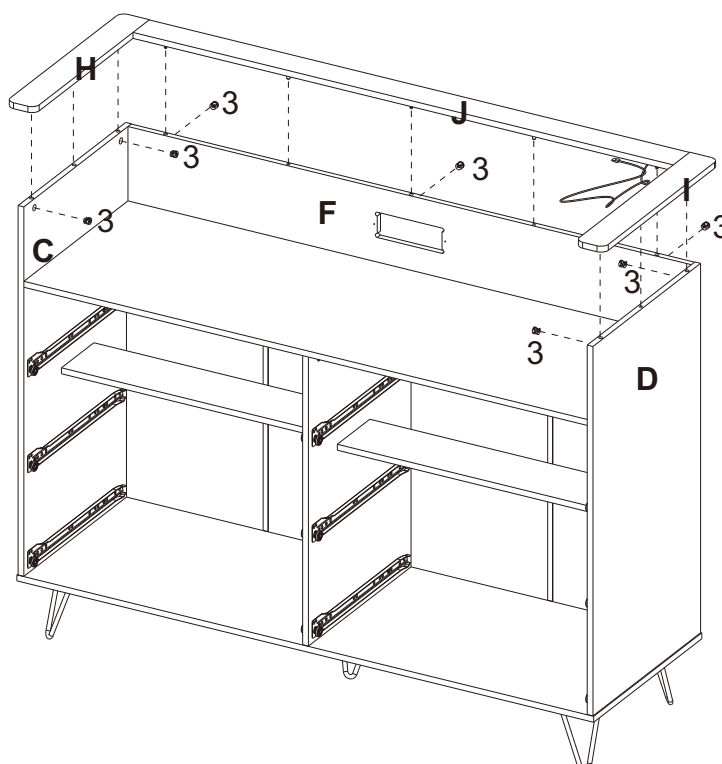
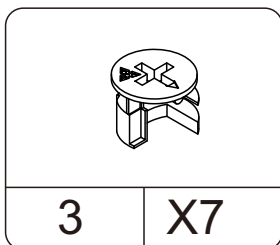


# INSTALLATION STEPS

STEP21:

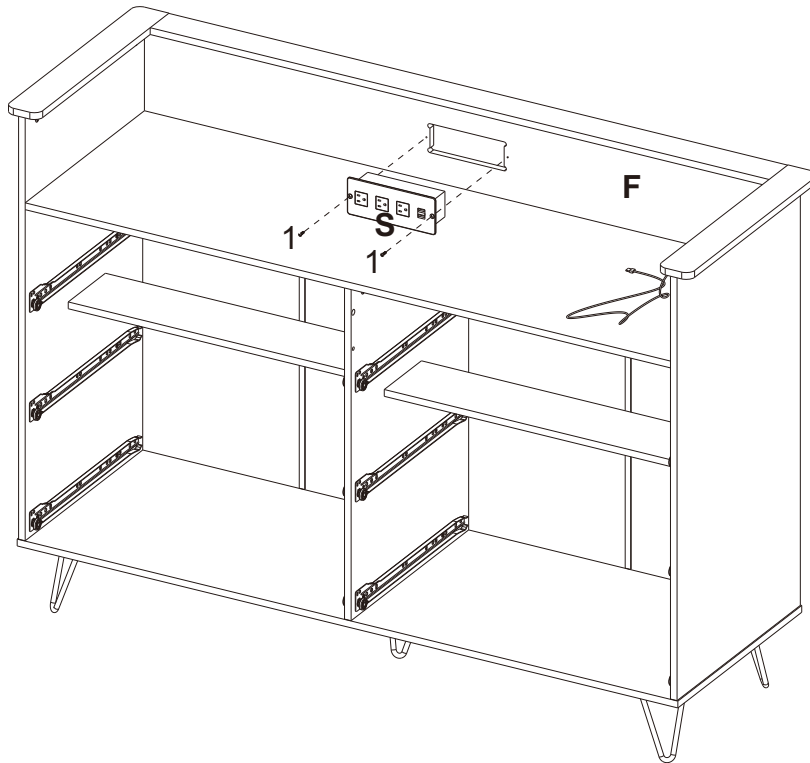
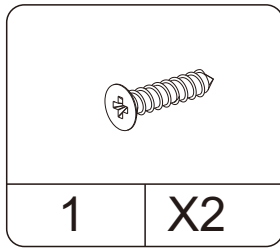


STEP22:

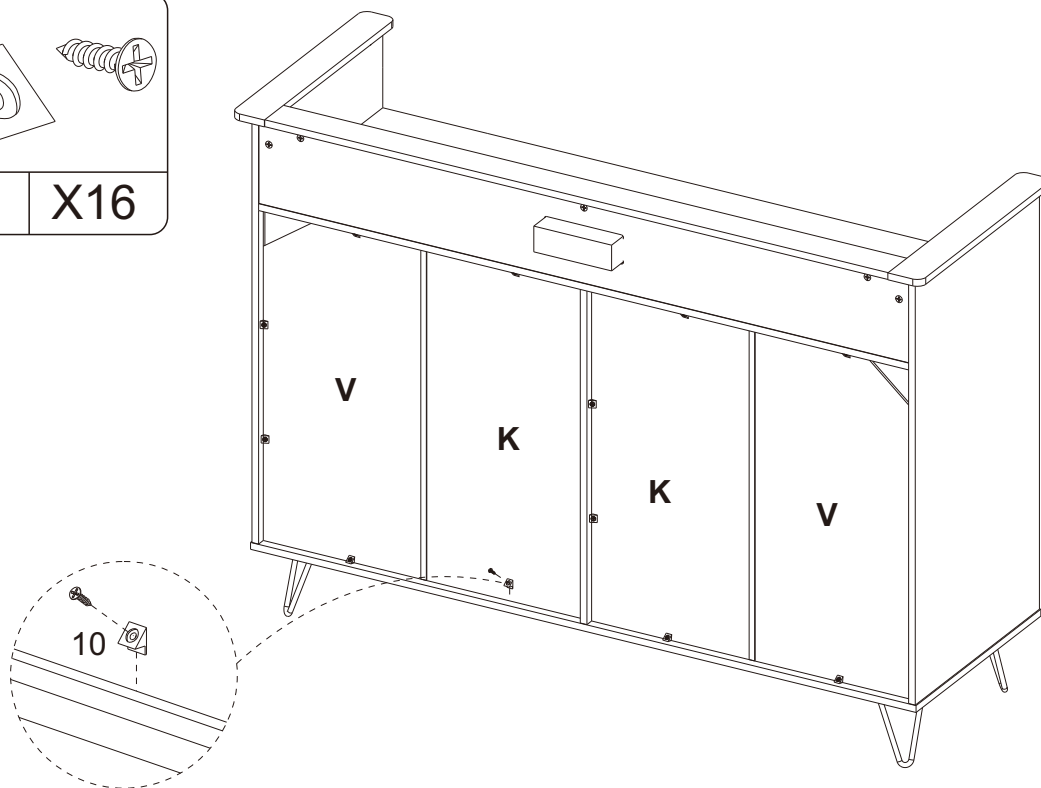
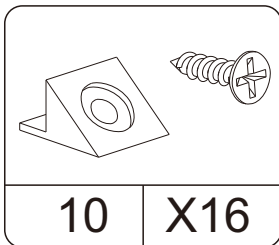


# INSTALLATION STEPS

## STEP23:

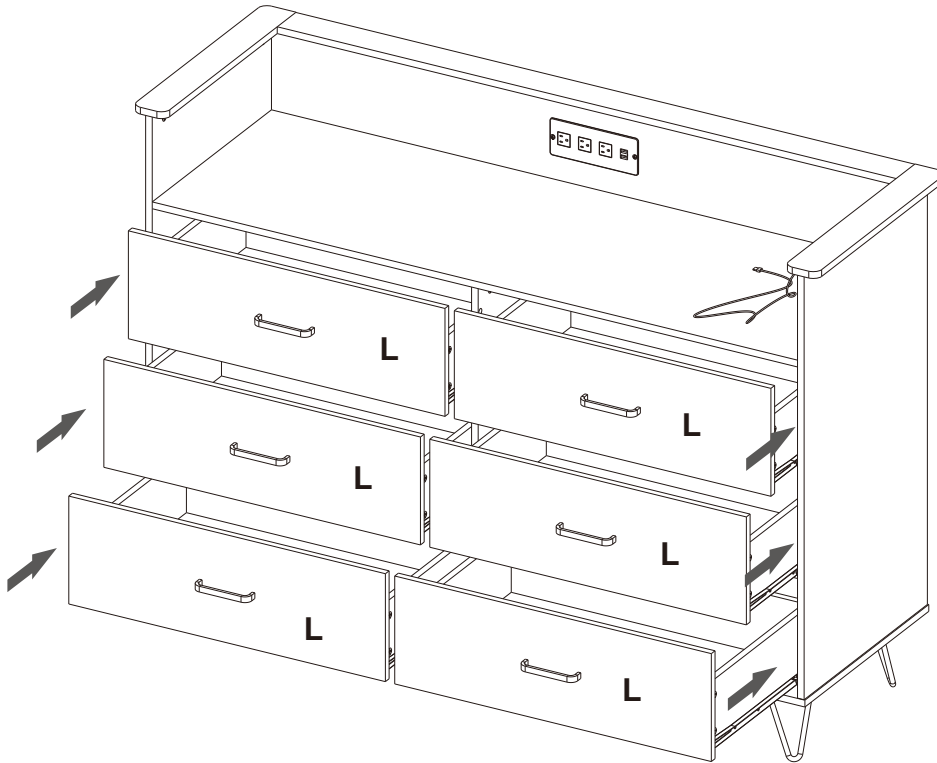


## STEP24:

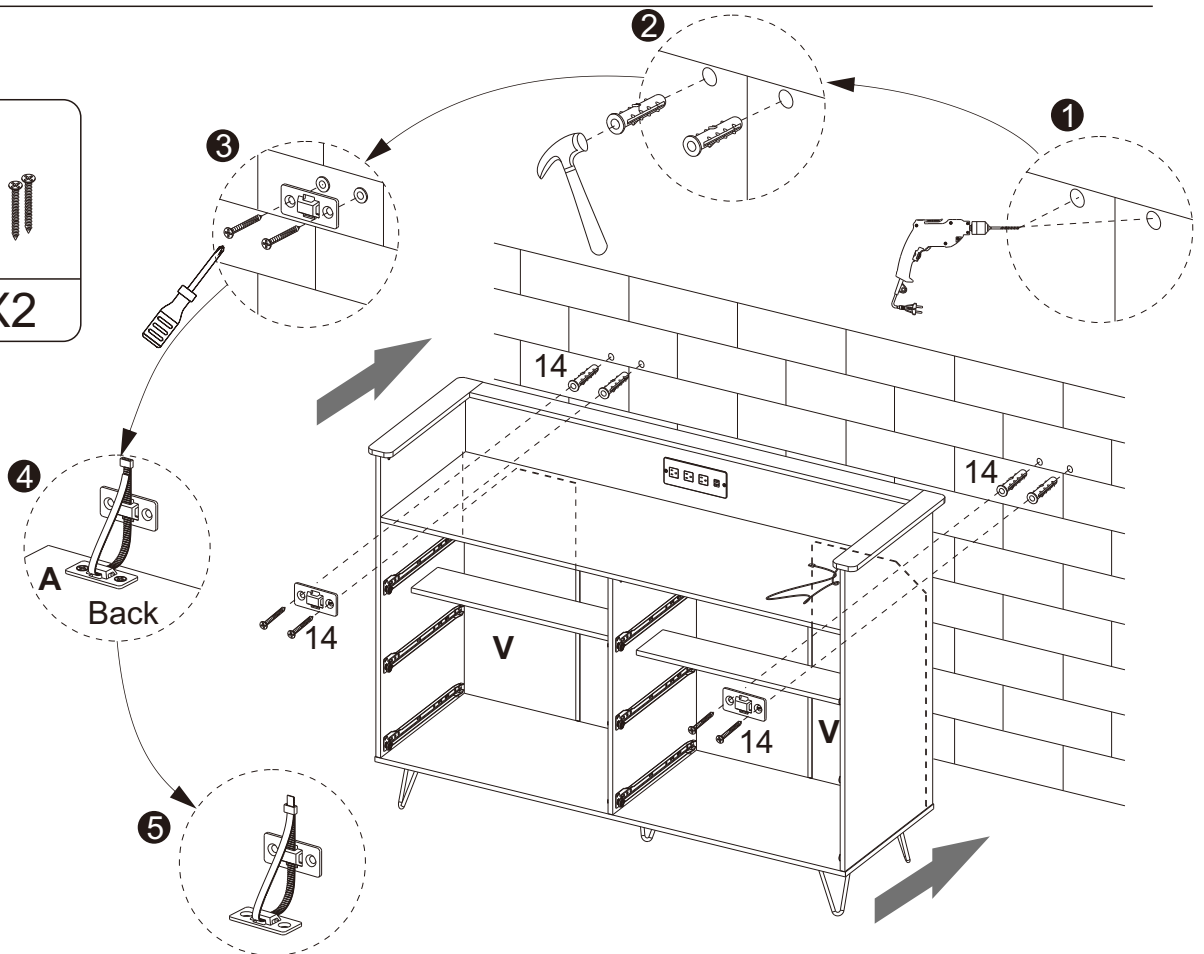
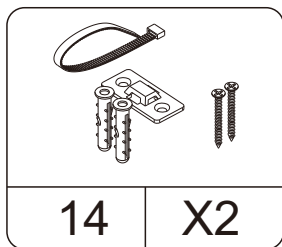


# INSTALLATION STEPS

## STEP25:



## STEP26:



# INSTALLATION STEPS

## STEP27:



Thank you for purchasing our products. Please contact us if you have difficulty with assembly or need replacement parts. Our customer service is here to assist you. Please attach your User Name and Order ID so that we can assist you better.  
[support@jojoka.net](mailto:support@jojoka.net)