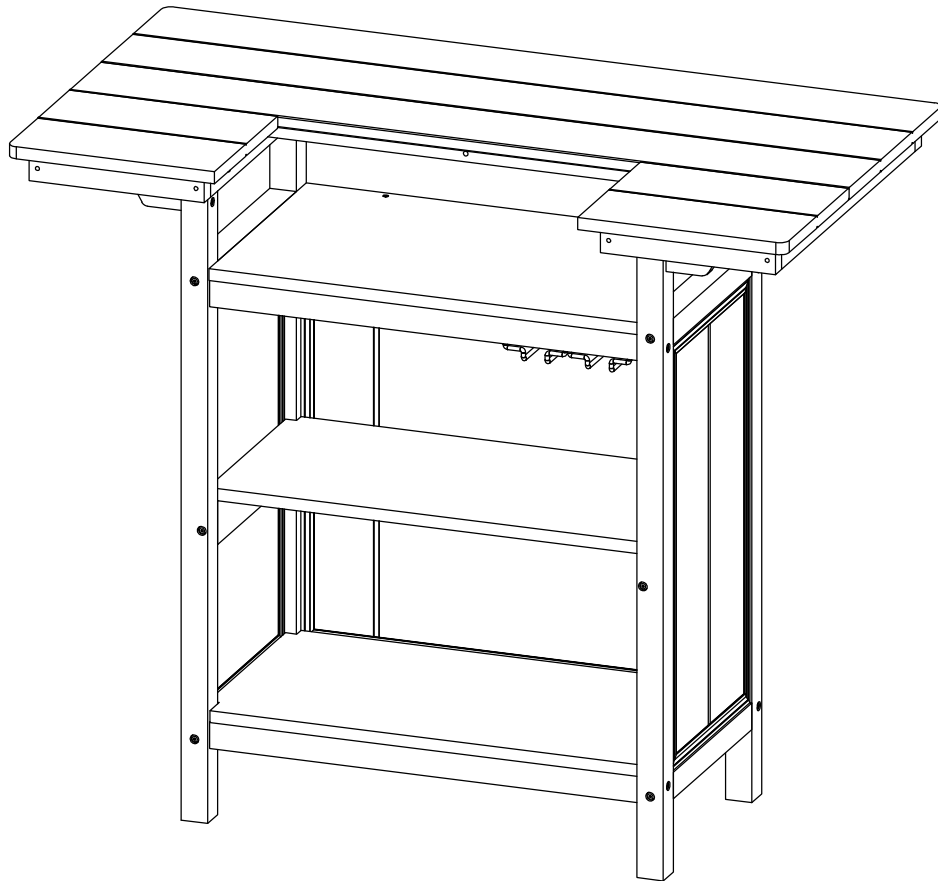


# OUTDOOR BAR TABLE

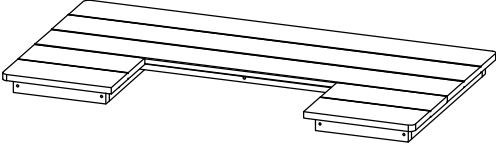






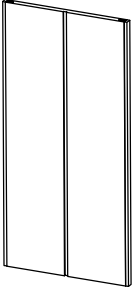



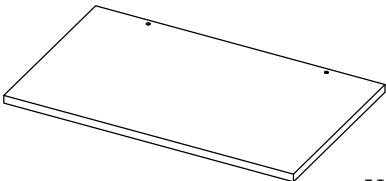
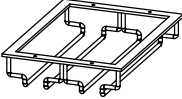





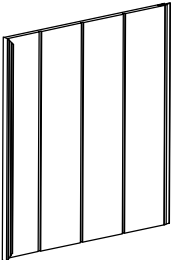

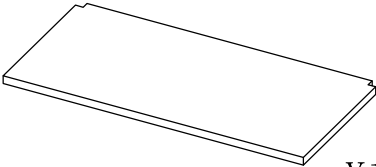
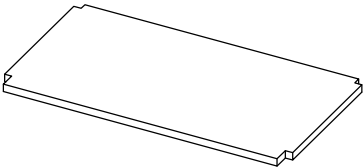



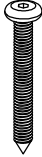




**SKU: LTFZ5624**

Missing part? Damaged? Contact us via email at

[service@domioutdoorliving.com](mailto:service@domioutdoorliving.com)

[www.domioutdoorliving.com](http://www.domioutdoorliving.com)

<p>A</p>  <p>X1</p>	<p>B1</p>  <p>X1</p>	<p>B2</p>  <p>X1</p>	<p>B3</p>  <p>X1</p>	<p>B4</p>  <p>X1</p>
<p>C</p>  <p>X4</p>	<p>D</p>  <p>X4</p>	<p>E</p>  <p>X2</p>	<p>F1</p>  <p>X2</p>	<p>F2</p>  <p>X2</p>
<p>G</p>  <p>X2</p>	<p>H</p>  <p>X1</p>	<p>I</p>  <p>X1</p>	<p>J</p>  <p>X2</p>	
<p>K1</p>  <p>X1</p>	<p>K2</p>  <p>X1</p>	<p>L1</p>  <p>X1</p>		
<p>L2</p>  <p>X1</p>	<p>M</p>  <p>X1</p>	<p>N</p>  <p>X1</p>		
<p>P</p>  <p>X1</p>	<p>Q</p>  <p>X1</p>			

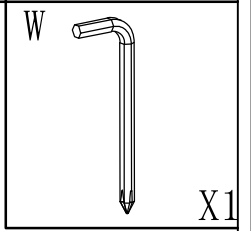
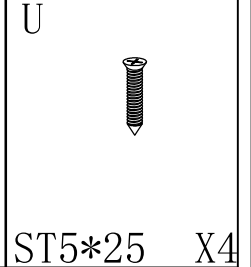
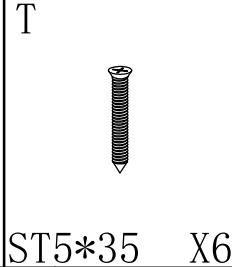
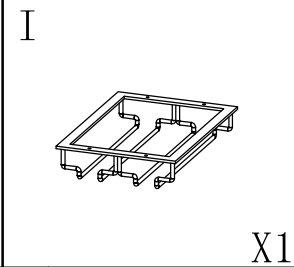
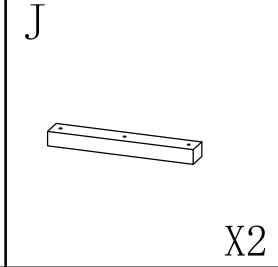
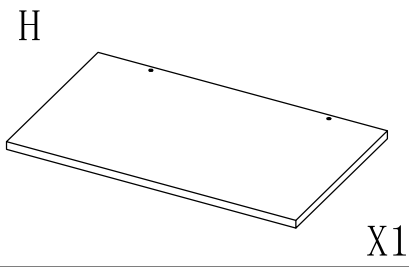
<p>R</p>  <p>ST6*60 X28</p>	<p>S</p>  <p>ST6*50 X8</p>	<p>T</p>  <p>ST5*35 X8</p>
<p>U</p>  <p>ST5*25 X4</p>	<p>V</p>  <p>ST4.2*15 X14</p>	<p>W</p>  <p>X1</p>

**Bar table should include the following parts. Please inspect box contents to ensure you have received all components.**

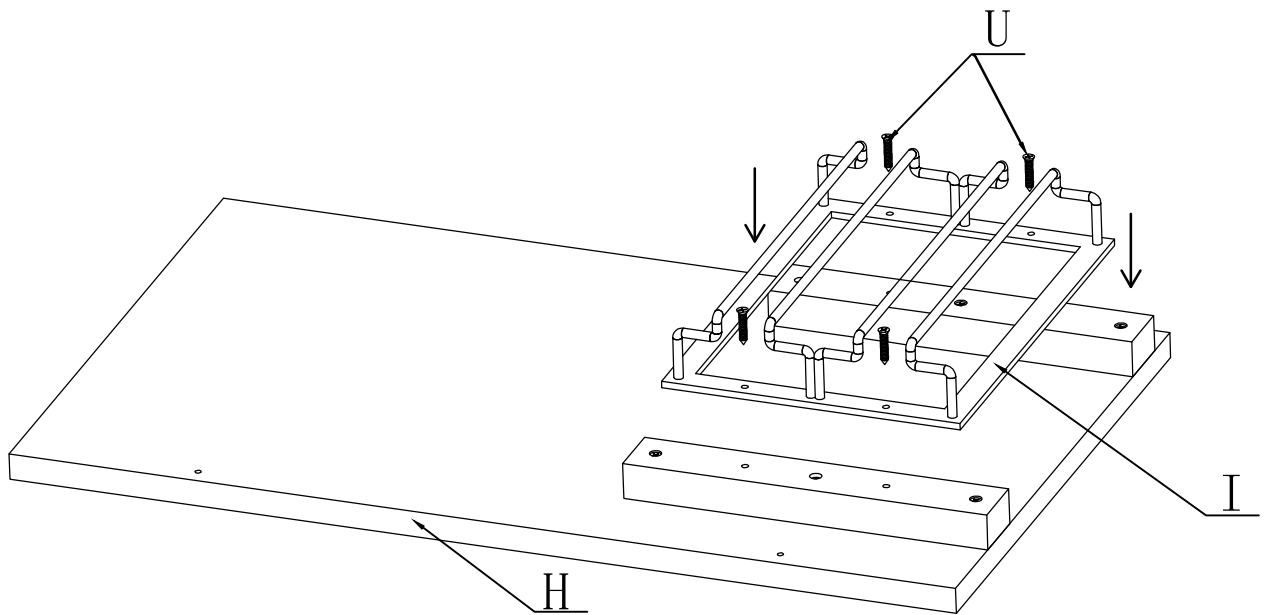
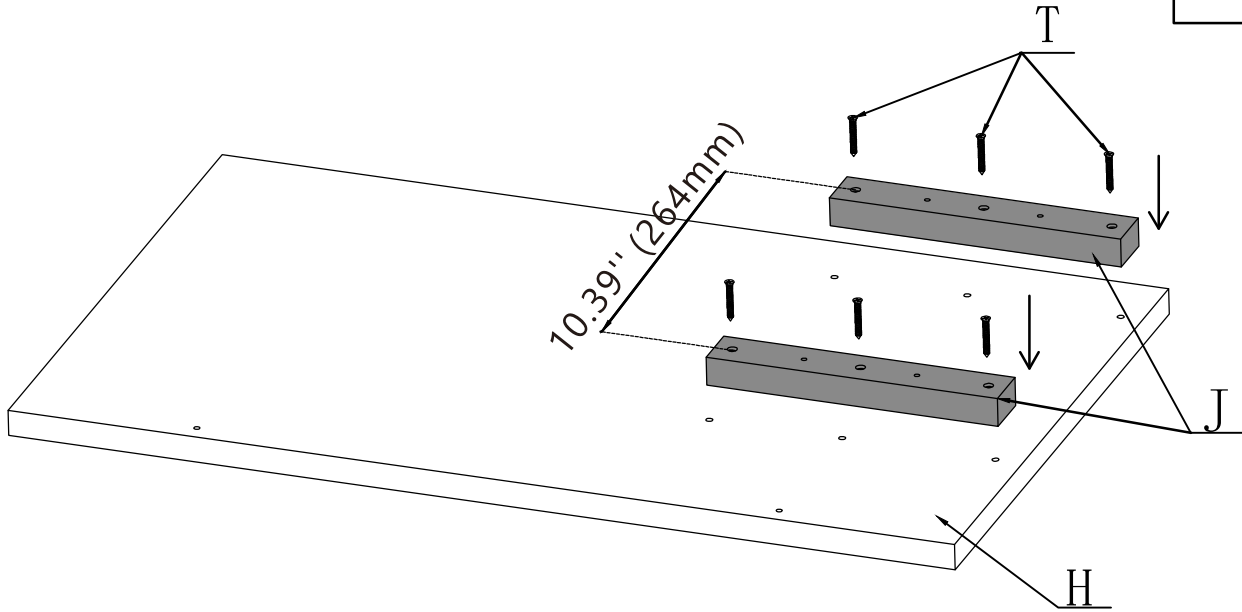
**If you are missing any parts, need assistance with assembly or have questions, please contact our Customer Service.**

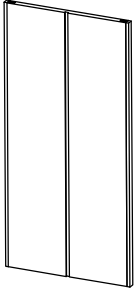

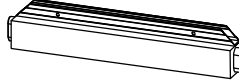


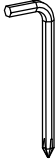


**USA & Canada:  
1-833-807-3550**

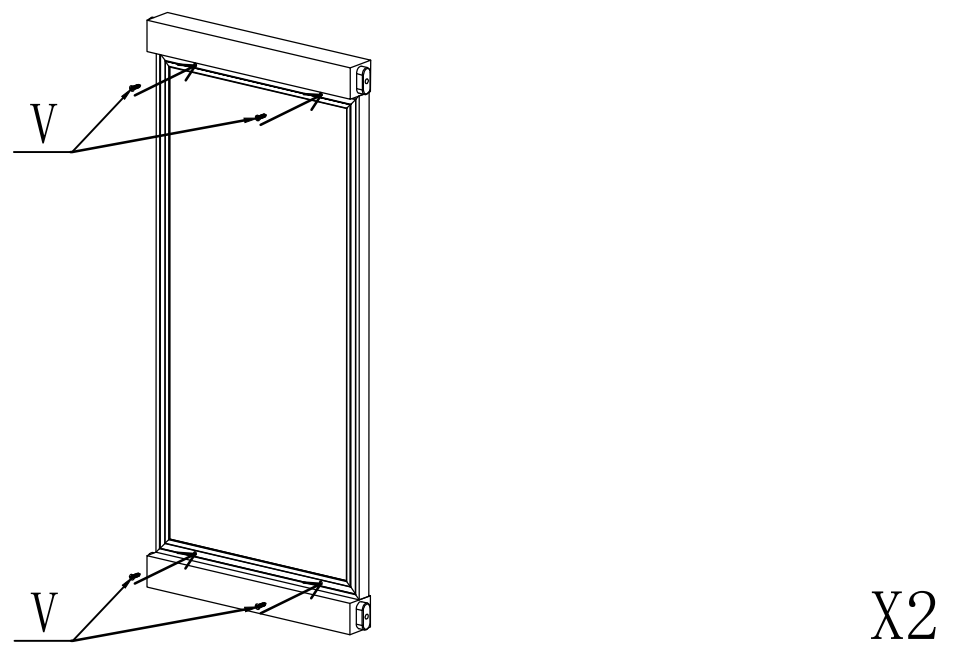
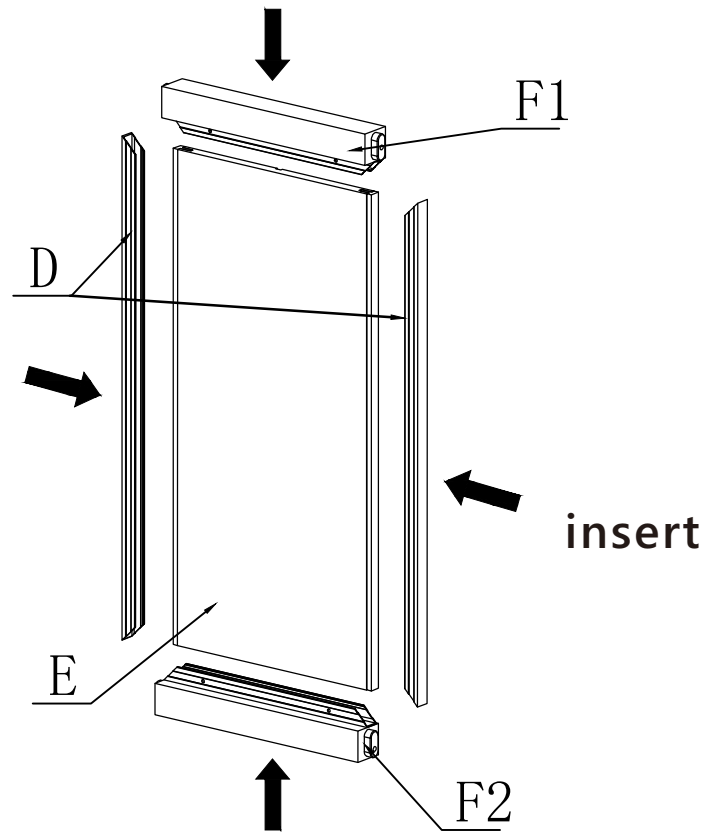



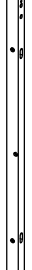

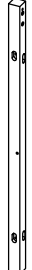

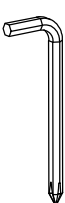
# Step 1 Attach Wine Glass Rack



<p>E</p>  <p>X2</p>	<p>F1</p>  <p>X2</p>	<p>F2</p>  <p>X2</p>	<p>D</p>  <p>X4</p>	<p>V</p>  <p>ST4. 2*15 X8</p> <p>W</p>  <p>X1</p>
------------------------------------------------------------------------------------------------------	-------------------------------------------------------------------------------------------------------	--------------------------------------------------------------------------------------------------------	--------------------------------------------------------------------------------------------------------	-------------------------------------------------------------------------------------------------------------------------------------------------------------------------------------------------------------------------

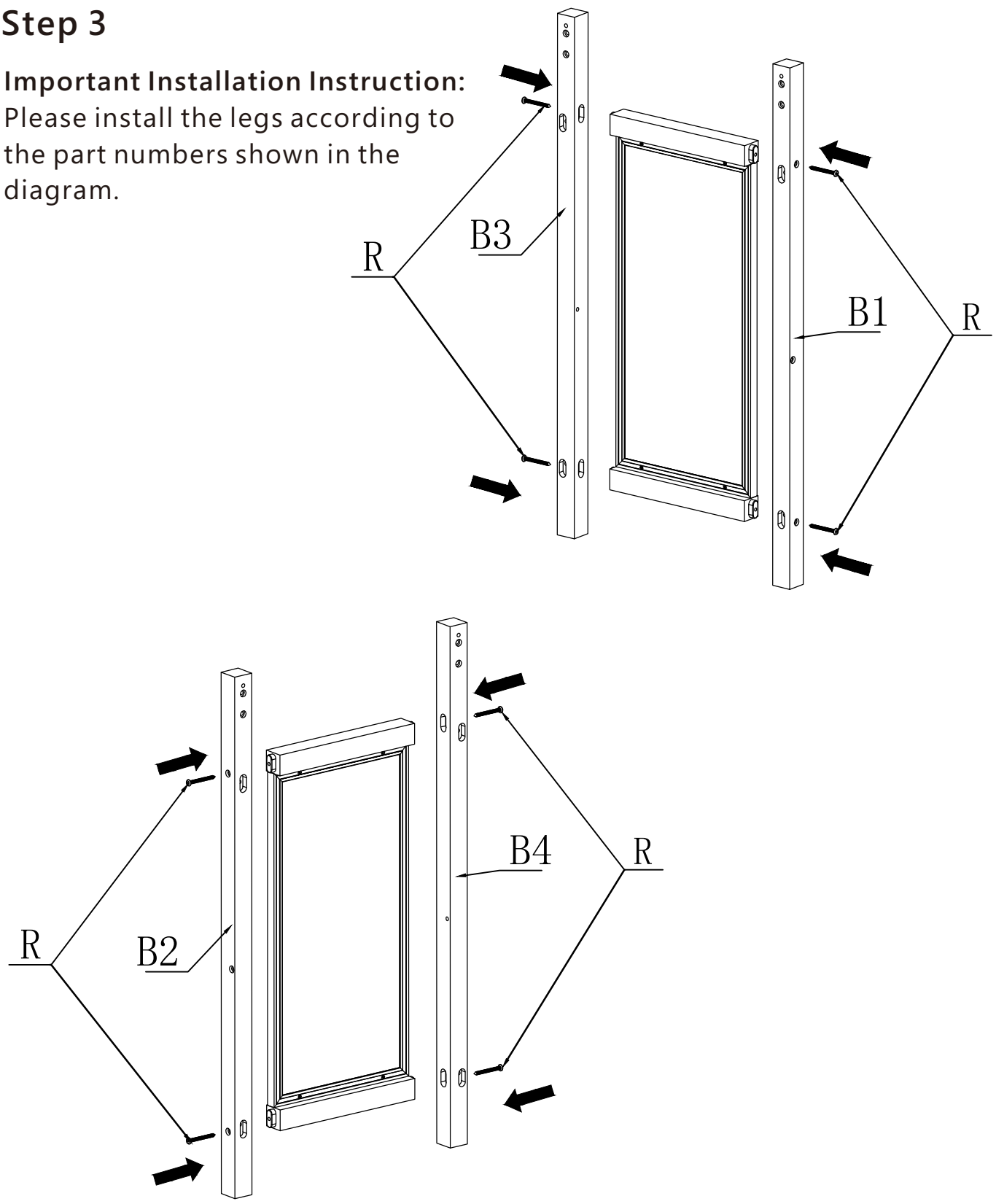
## Step 2 Assemble Left & Right Side Panels

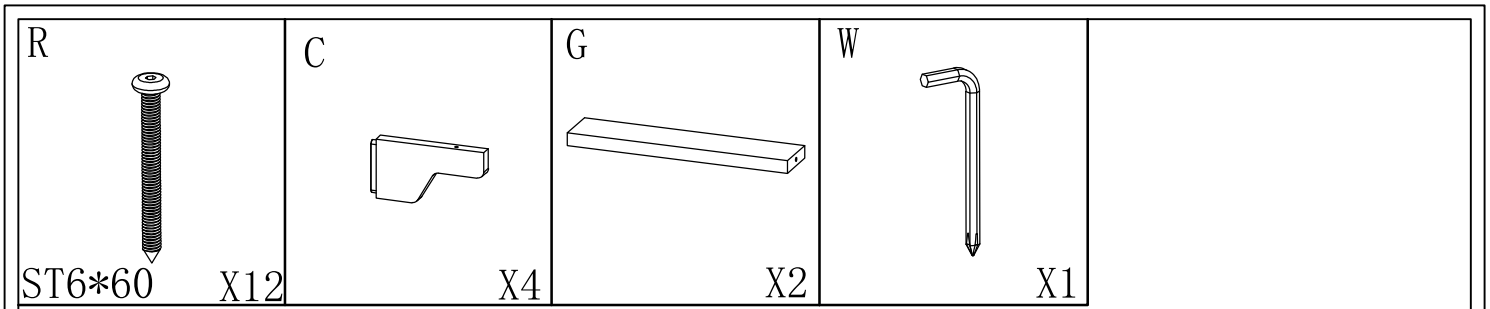


<p>B1</p>  <p>X1</p>	<p>B2</p>  <p>X1</p>	<p>B3</p>  <p>X1</p>	<p>B4</p>  <p>X1</p>	<p>R</p>  <p>ST6*60</p>	<p>W</p>  <p>X1</p>
-------------------------------------------------------------------------------------------------------	-------------------------------------------------------------------------------------------------------	-------------------------------------------------------------------------------------------------------	-------------------------------------------------------------------------------------------------------	------------------------------------------------------------------------------------------------------------	--------------------------------------------------------------------------------------------------------

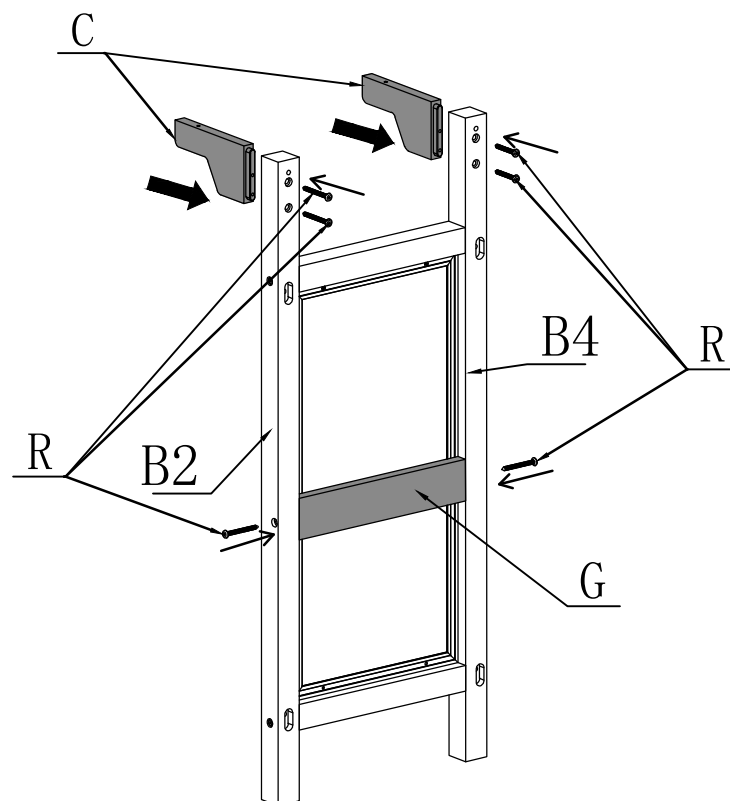
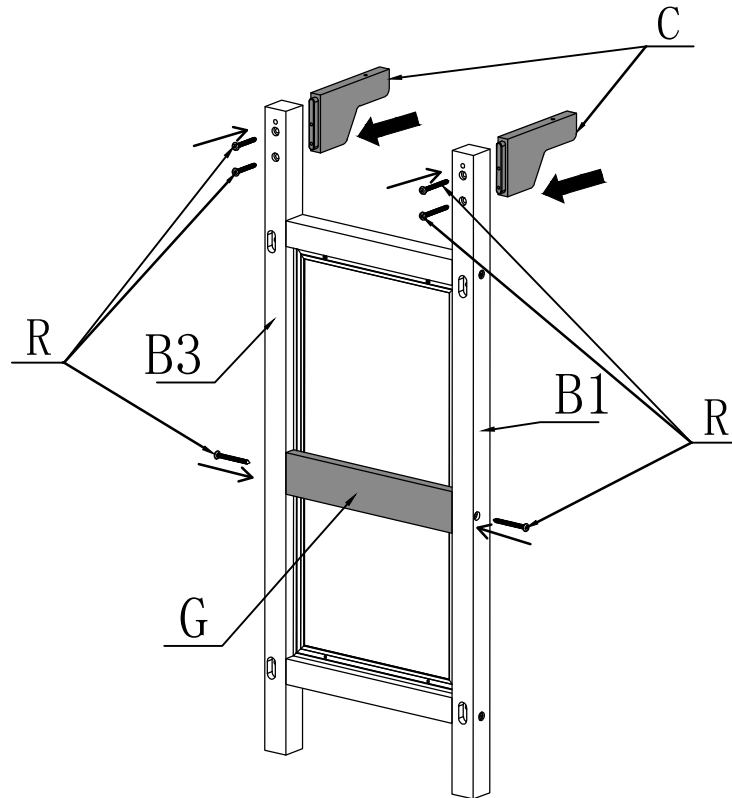
### Step 3

**Important Installation Instruction:**  
Please install the legs according to the part numbers shown in the diagram.

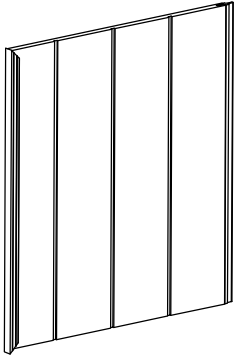




**Step 4**



M



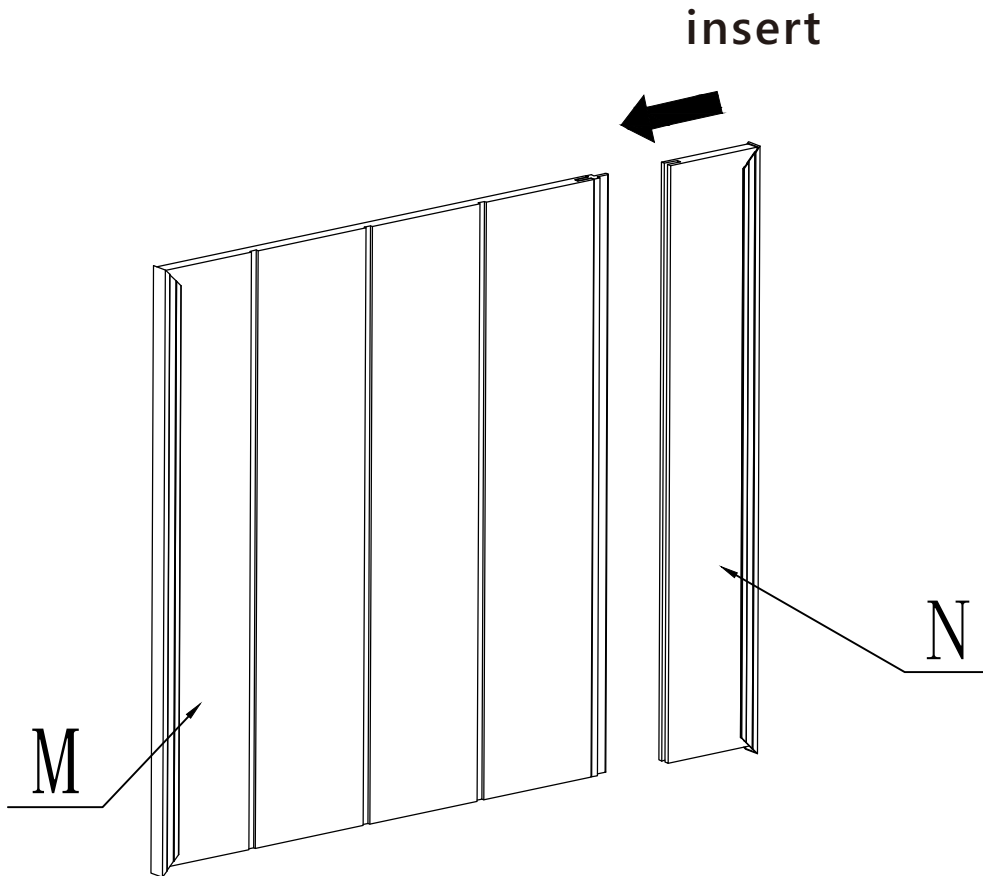
X1

N



X1

### Step 5 Assemble Center Side Panel



L1



X1

L2



X1

V



ST4. 2\*15

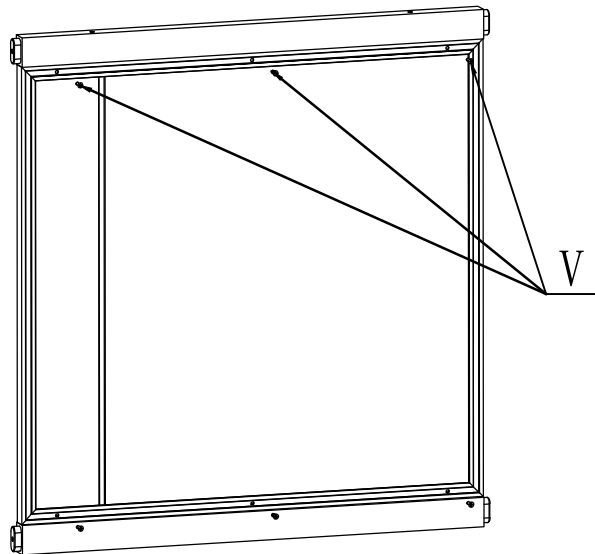
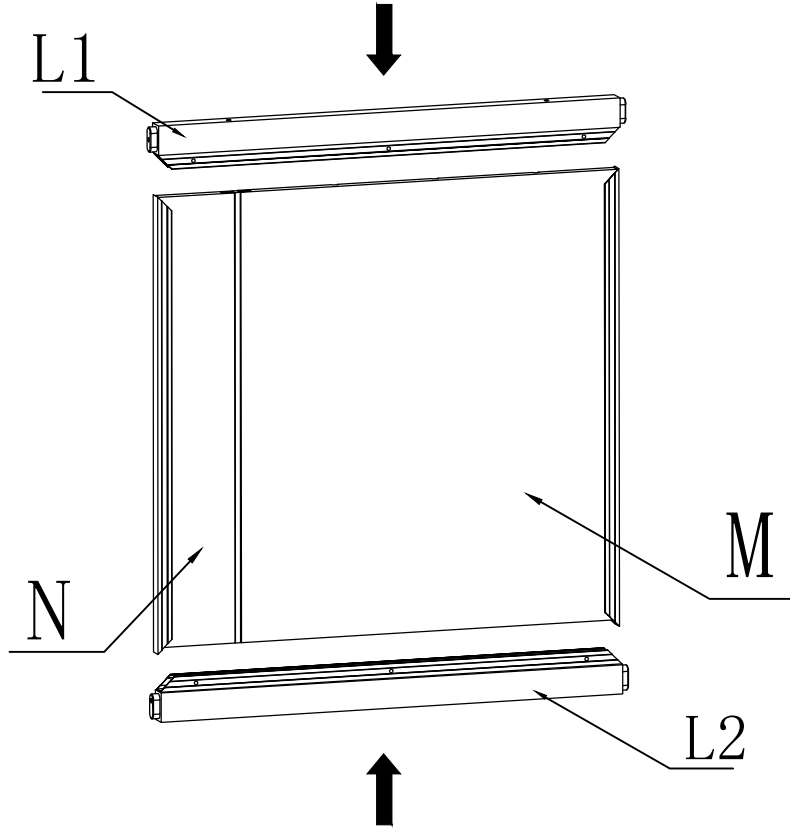
X6

W

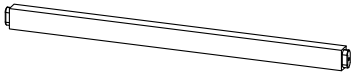


X1

### Step 6



K1



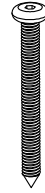
X1

K2



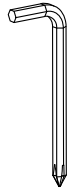
X1

R



ST6\*60

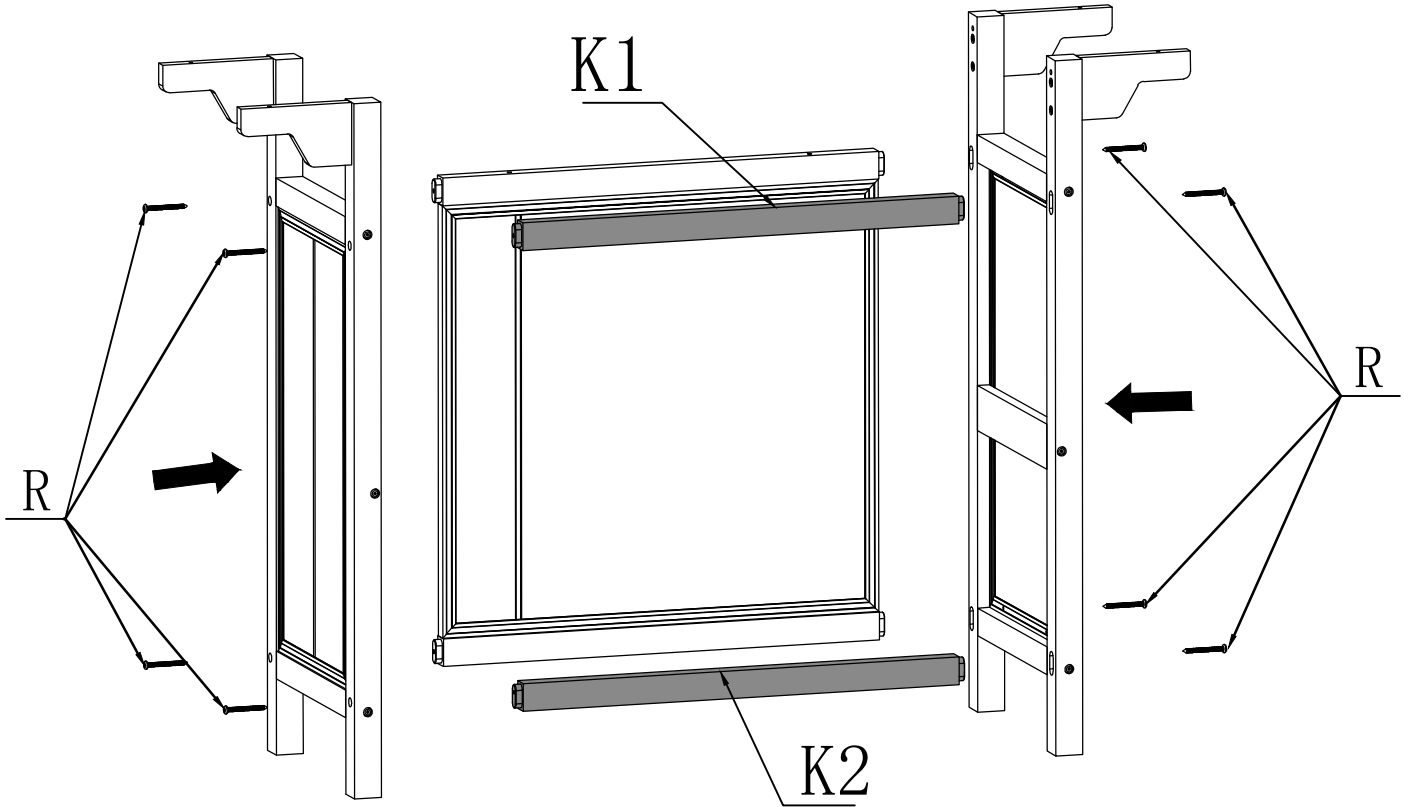
W

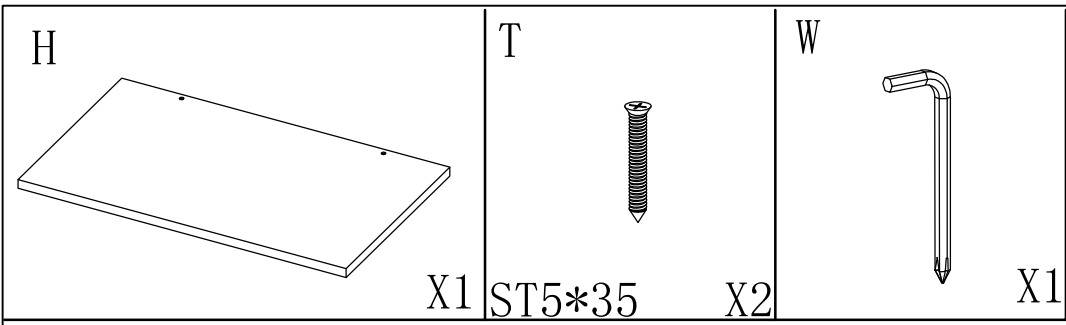


X1

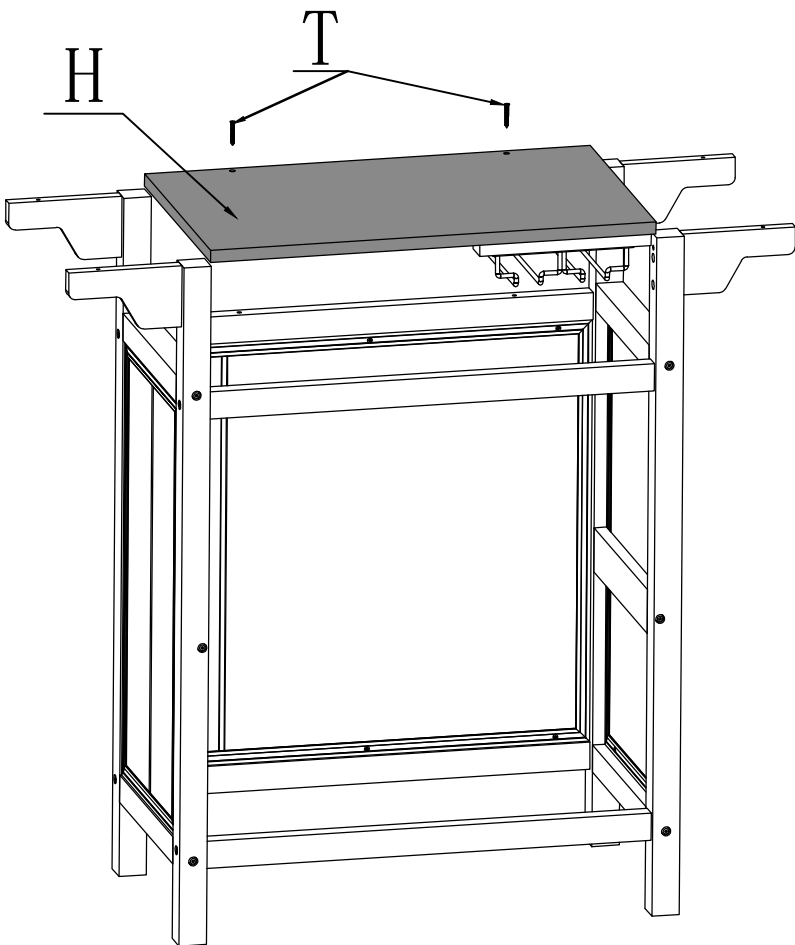
X8

### Step 7

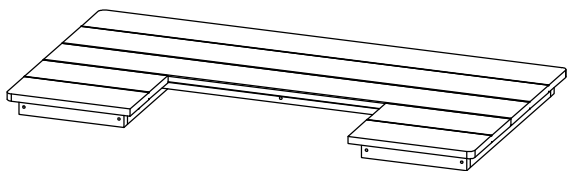




**Step 8**



A



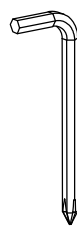
X1

S



ST6\*50

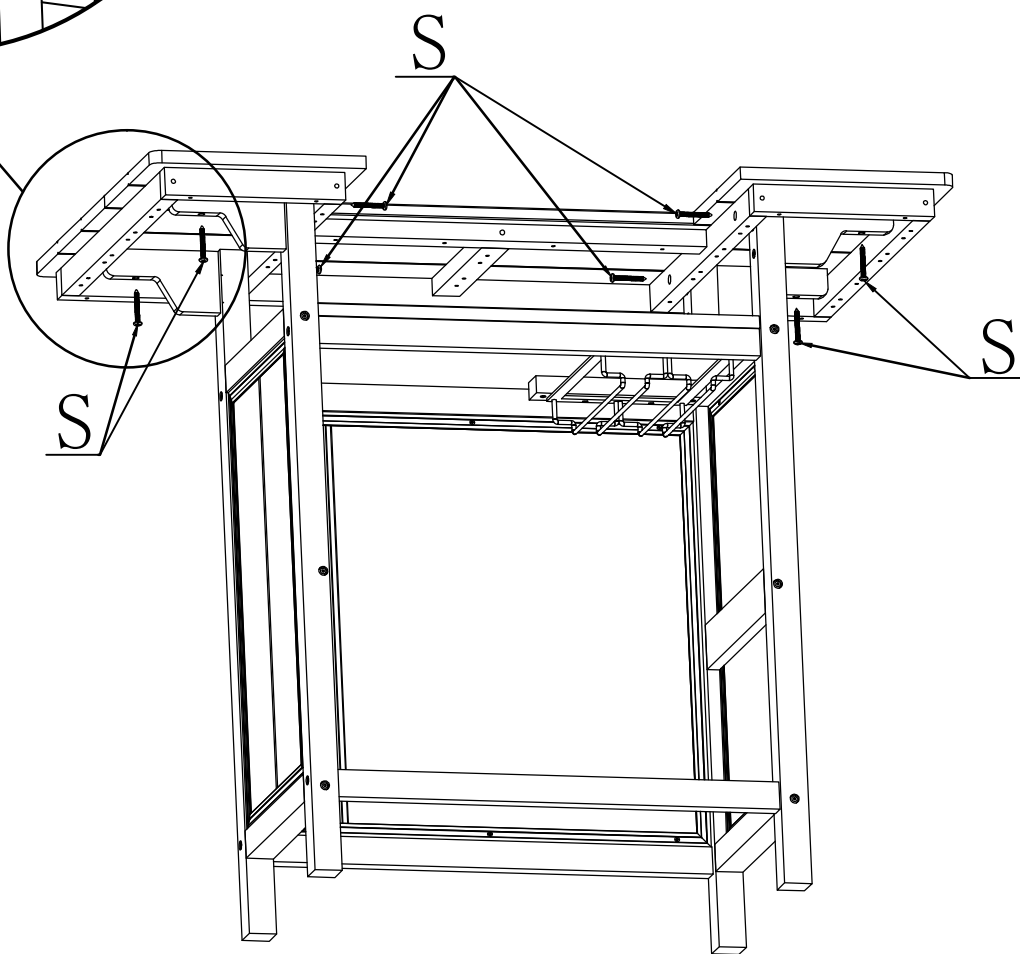
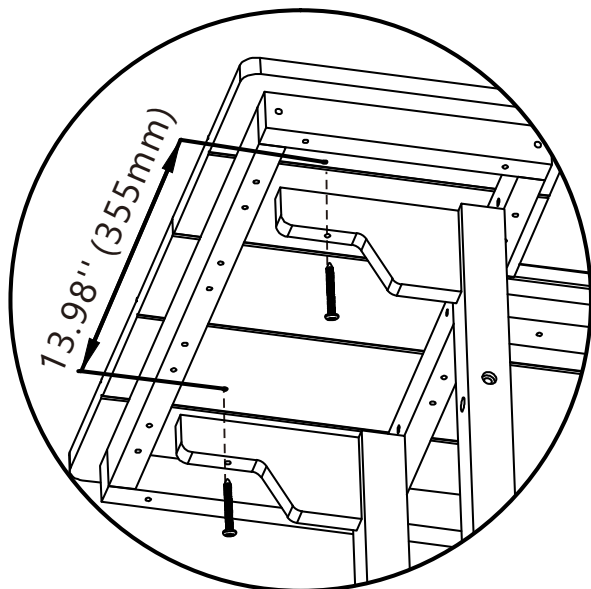
W

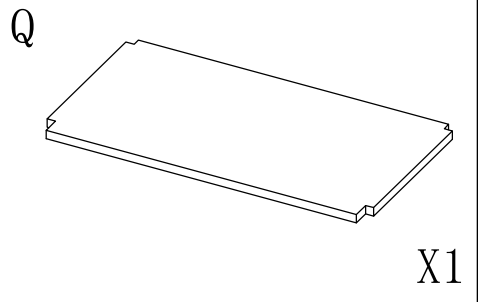
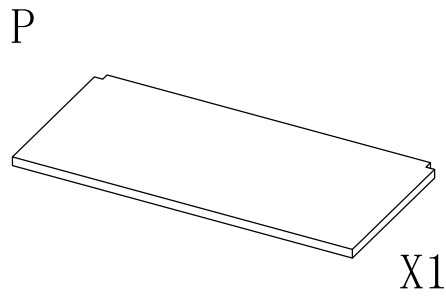


X8

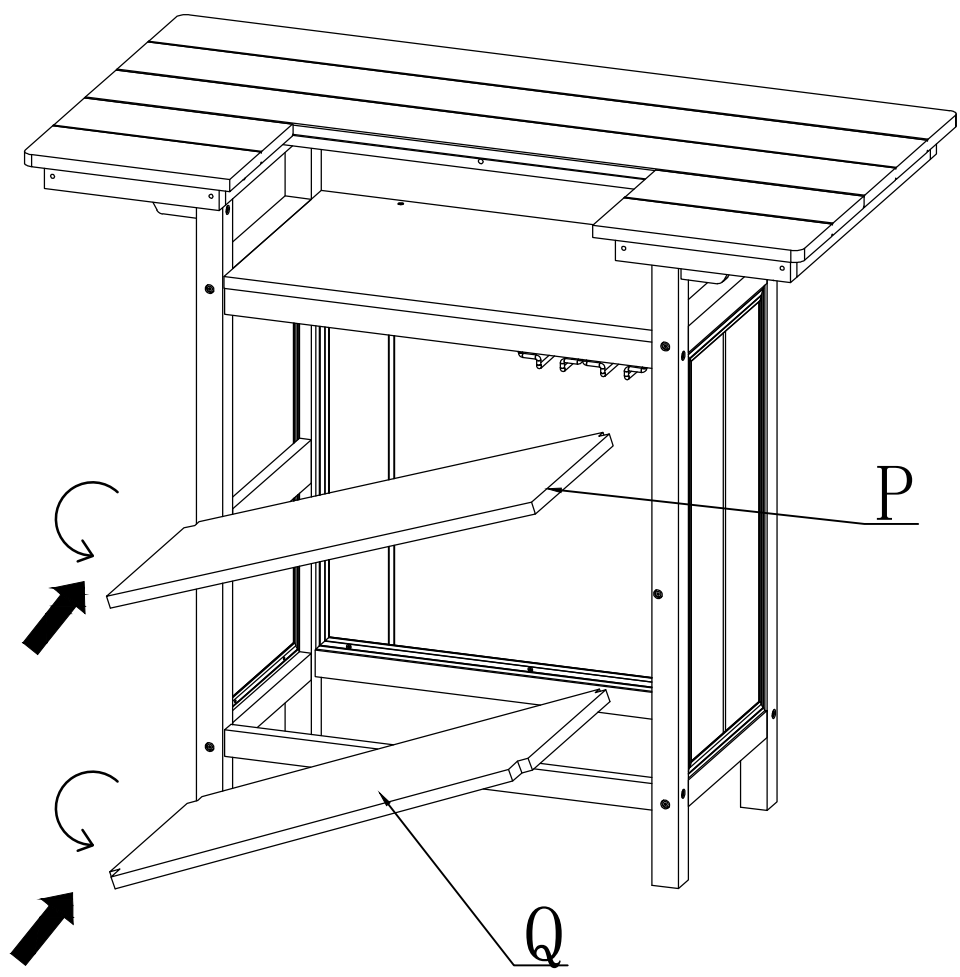
X1

### Step 9

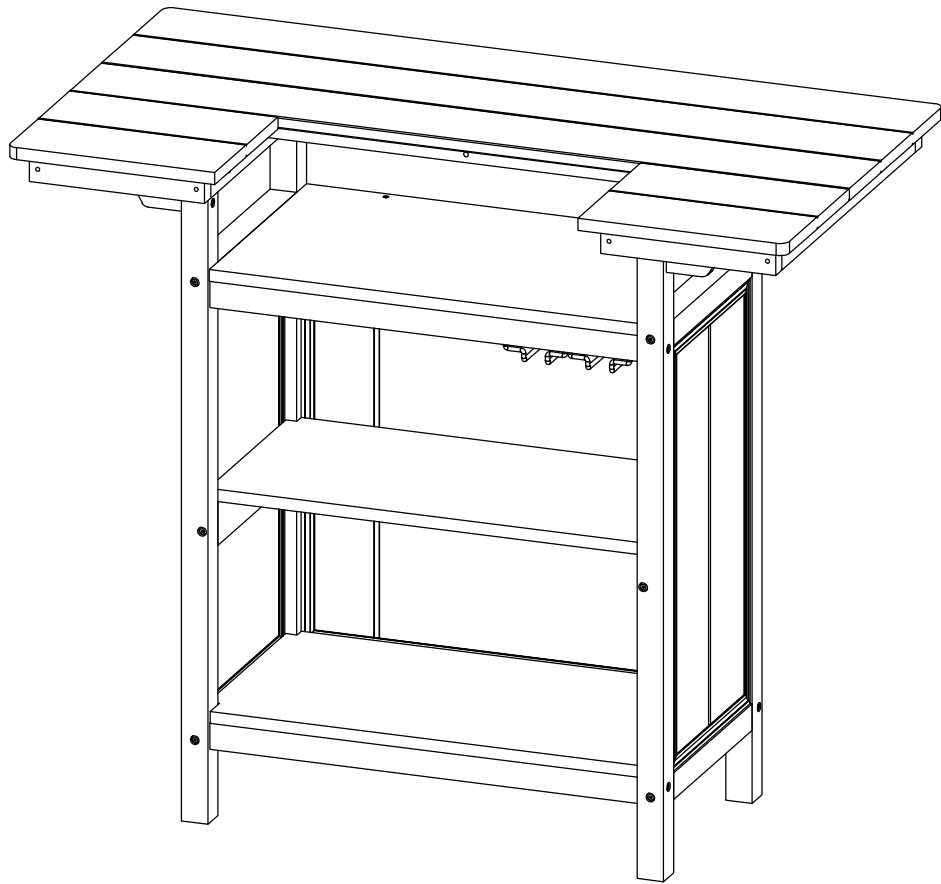




## Step 10 Install Storage Shelves



# Step 11



# Thanks for your purchase.

At domi outdoor living, we believe in our products.

That's why we provide a 12-month warranty and friendly, easy-to-reach after-sales service. So, if you have any questions about our product or assembly, please feel free to contact us. We are here for you.

**Support:**  

**After-sales contact email:**

[service@domioutdoorliving.com](mailto:service@domioutdoorliving.com)

**Business cooperation contact email:**

[marketing@domioutdoorliving.com](mailto:marketing@domioutdoorliving.com)

Please have your order ID available if you reach out for support.

If you have damaged parts or product, please send us photos for an immediate response.