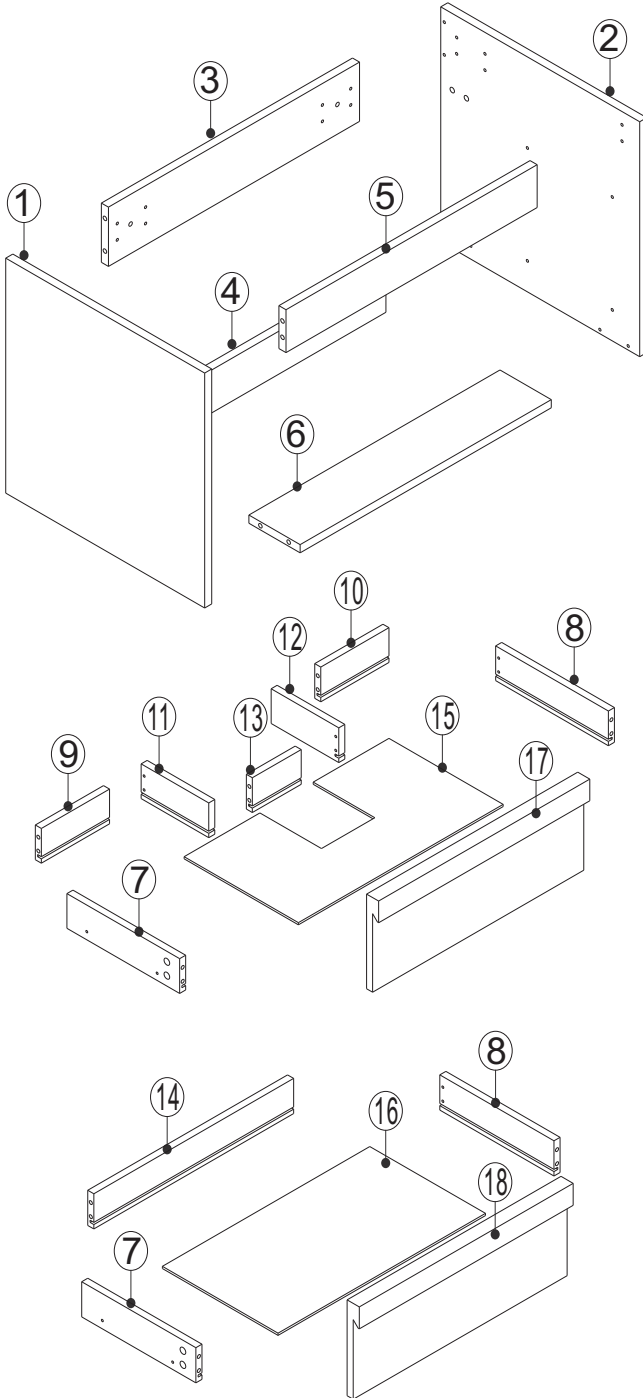






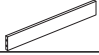
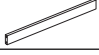



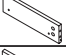






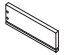
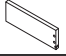




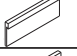



INSTALLATION INSTRUCTIONS

ASSEMBLY DIAGRAM

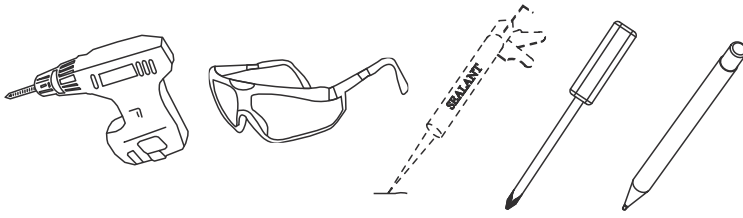


PARTS LIST

PARTS LIST			HARDWARE LIST		
No.	Description	QTY	No.	Description	QTY
1		1	19	 Three-in-one Connector	40
2		1	20	 Screws	32
3		1	21	 Slider	4
4		1			
5		1	22	 Hanger	2
6		1		 ST4x30 Screws	4
7		2		 ST4x50Screws	6
8		2	23	 Bracket	2
9		1	24	 Screws For Fix On The Wall	2
10		1			
11		1			
12		1			
13		1			
14		1			
15		1			
16		1			
17		1			
18		1			

CAUTION: Please confirm the parts list before installation

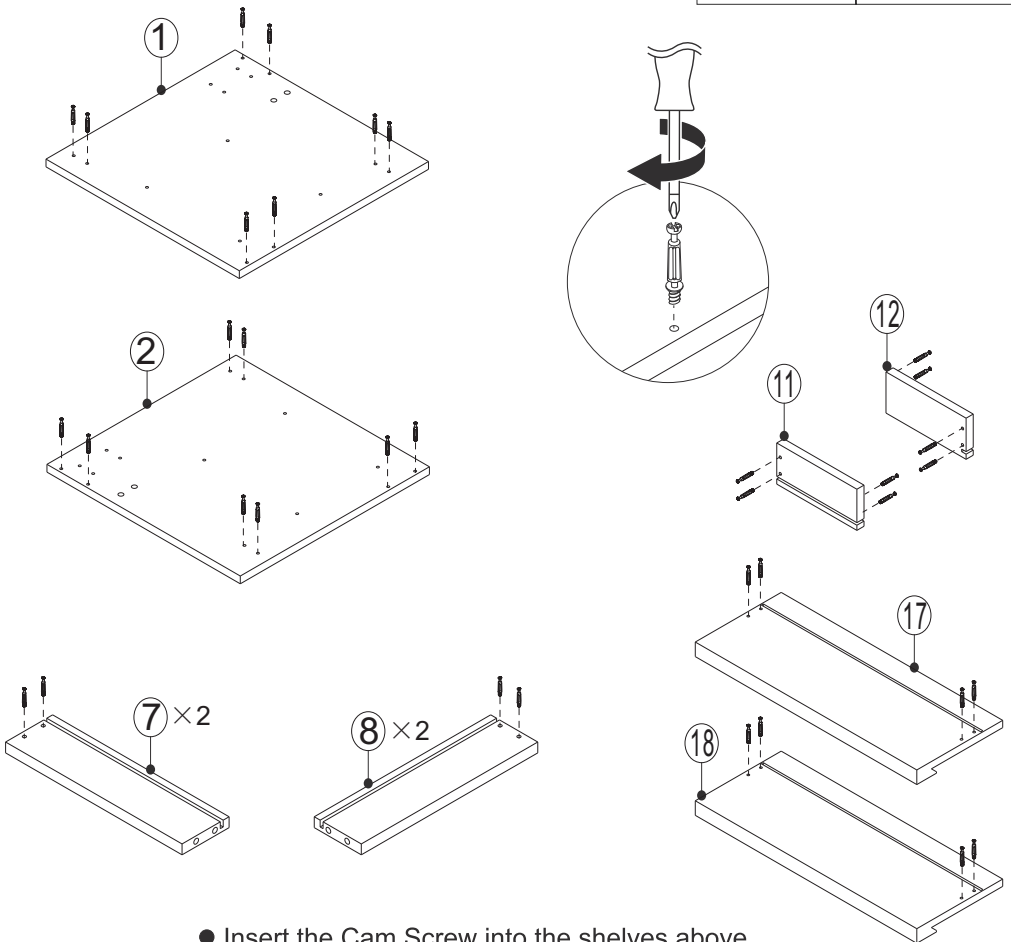
YOU MAY NEED (NOT SUPPLIED)



INSTALLATIONS

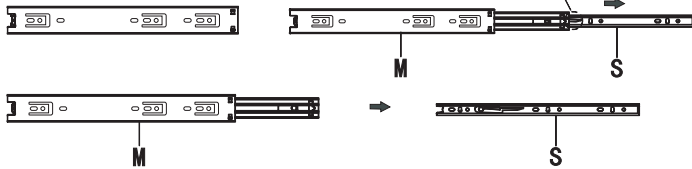
STEP 1

HARDWARE LIST	
19 	40 PCS 

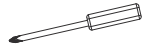


● Insert the Cam Screw into the shelves above.

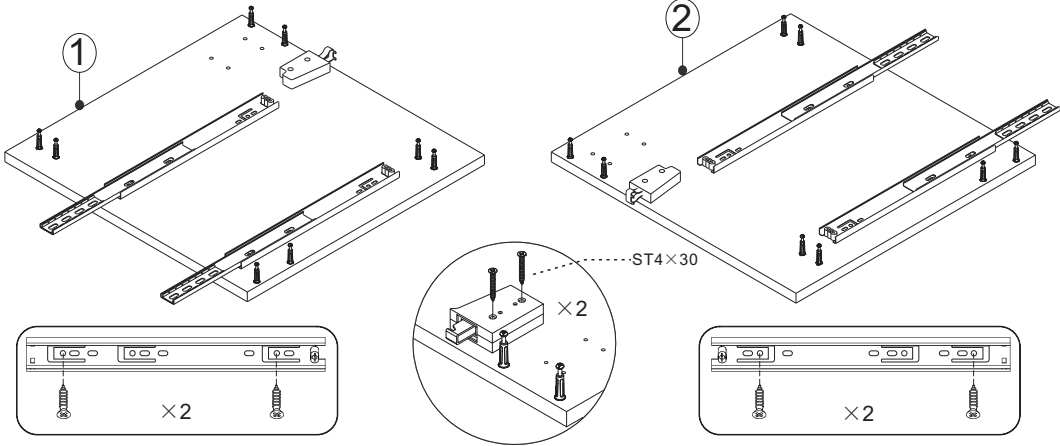
STEP 2



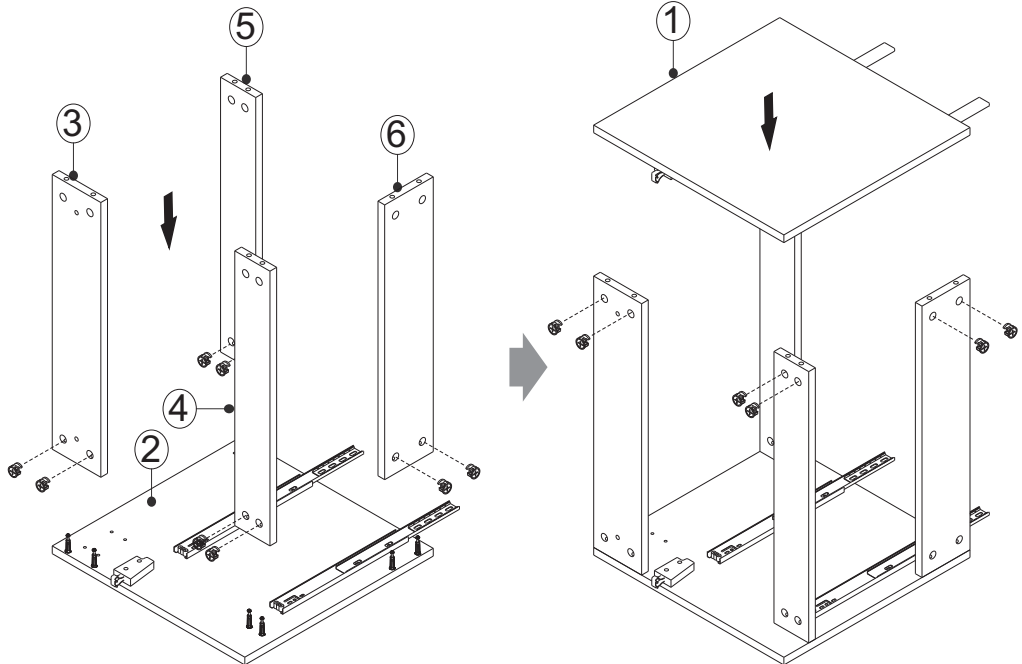
HARDWARE LIST		
20		8PCS
21	M	4PCS
22		2PCS
22		4PCS



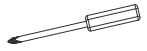
- Keep pressing here, then pull out to device the slide.



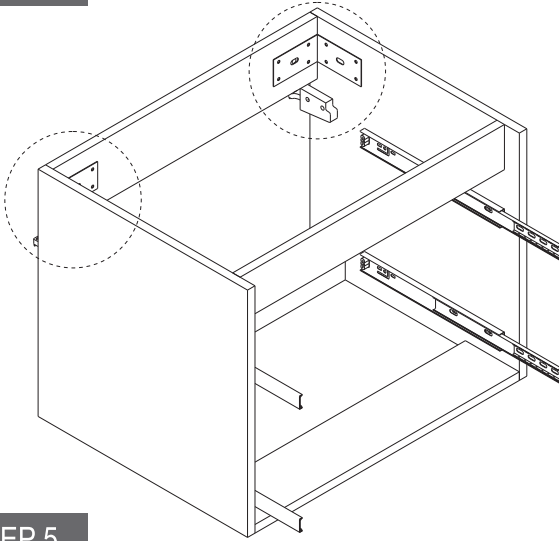
STEP 3



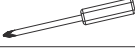
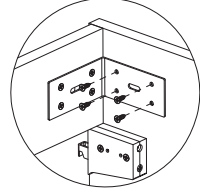
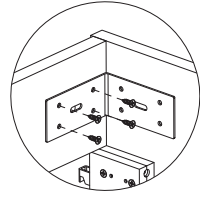
HARDWARE LIST		
19		16PCS



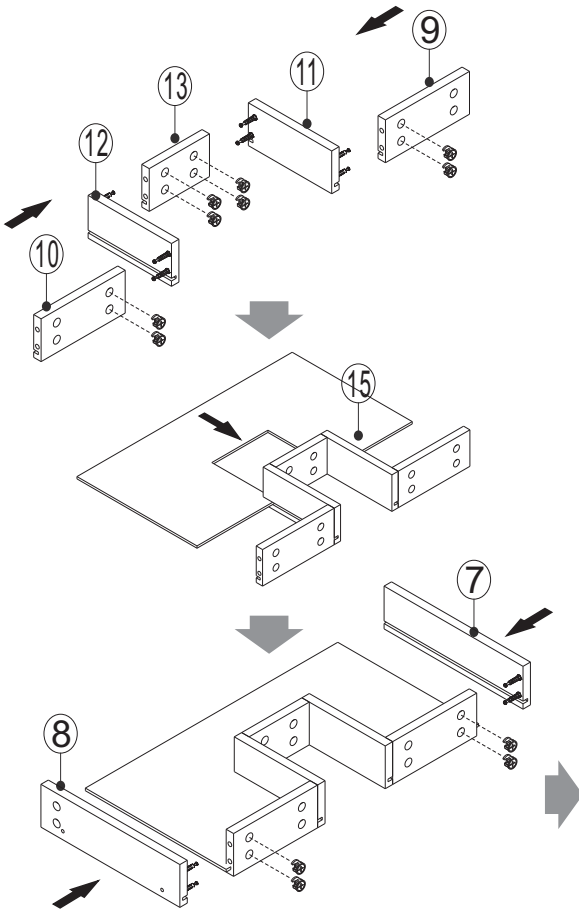
STEP 4



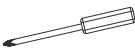
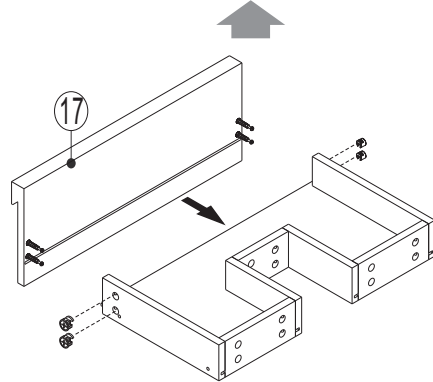
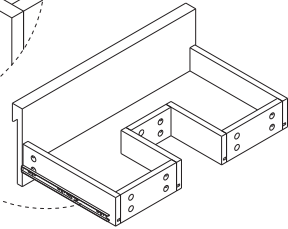
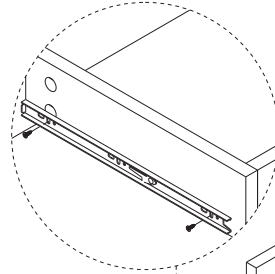
HARDWARE LIST		
23		2 PCS
20		16 PCS

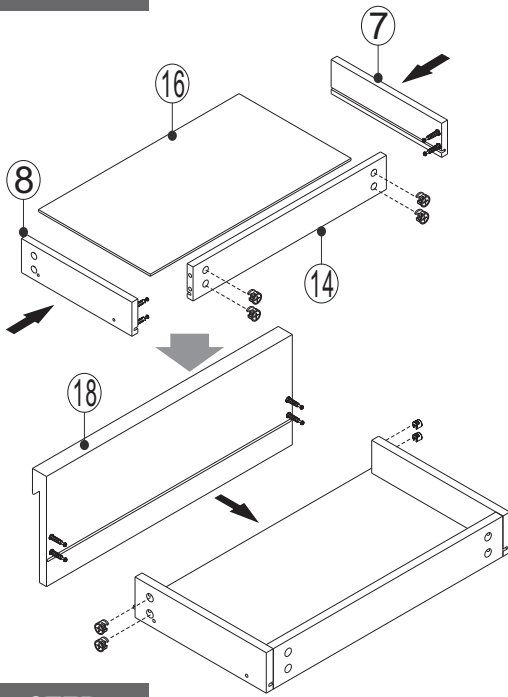
STEP 5



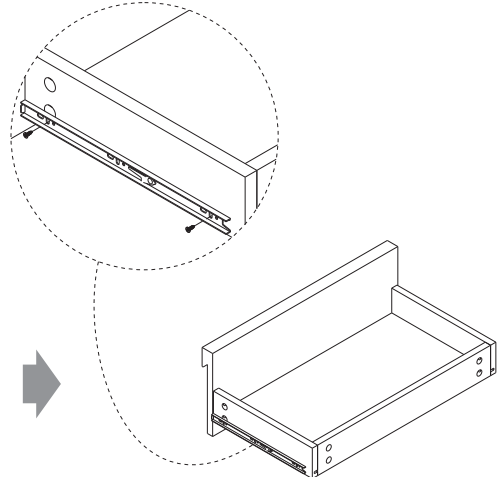
HARDWARE LIST		
19		16 PCS
20		2 PCS
21		2 PCS

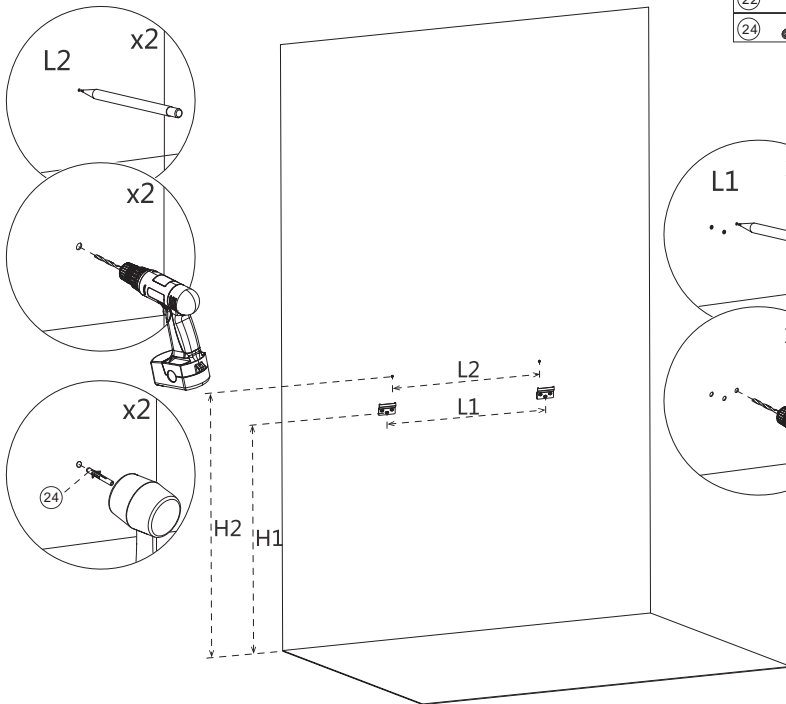
STEP 6



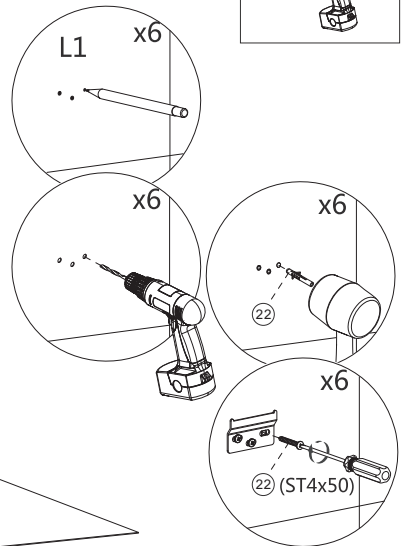
HARDWARE LIST		
19	8 PCS	
20	4 PCS	
21	S 2PCS	



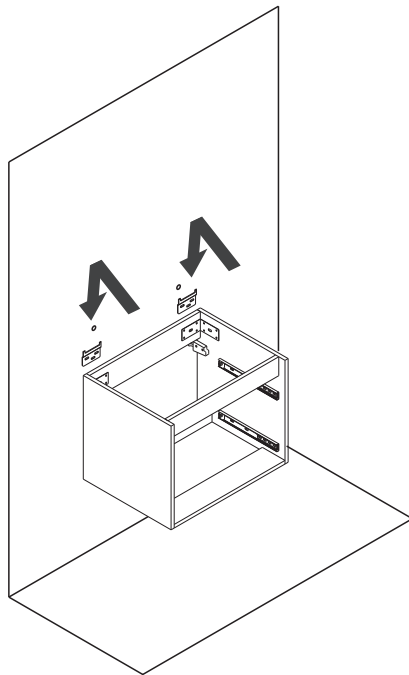
STEP 7



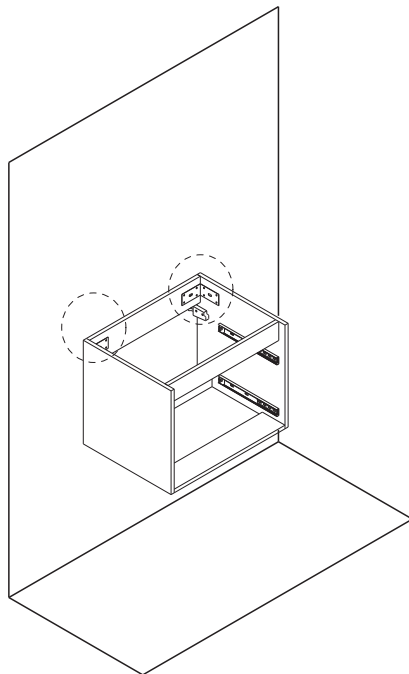
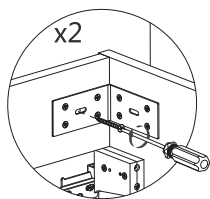
HARDWARE LIST		
22	2PCS	
22	6PCS (ST4x50)	
22	6PCS	
24	2PCS	



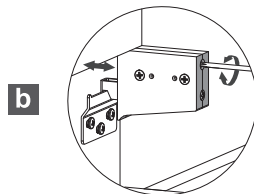
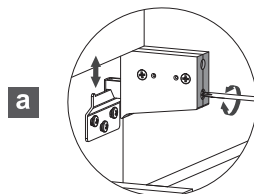
STEP 8



STEP 9

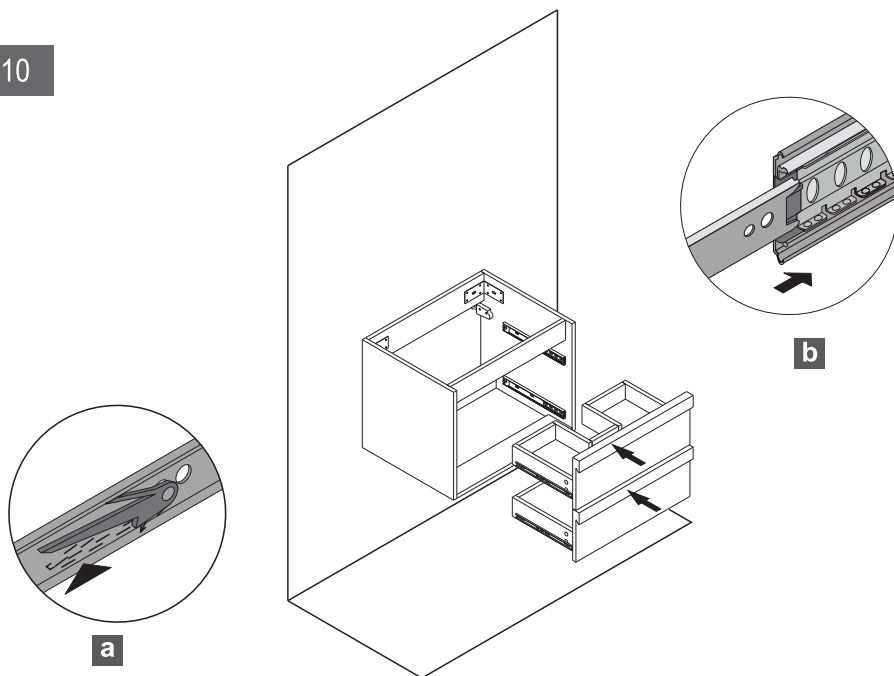


HARDWARE LIST	
(24) 	2PCS
	



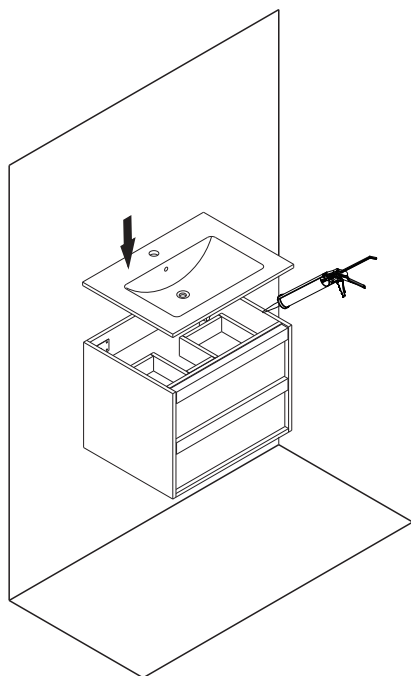
- Through the screw to adjust position of the hanger
 - a** up and down
 - b** front and back

STEP 10



- Assembled drawers are loaded onto cabinet

STEP 11



silicone transparent

CARE AND CLEANING

1. Many cleansers contain abrasive and chemical substance which is not suitable for cleaning stainless steel, enamel, plating or plastic products. You may use mild cleansers or soaps to clean the surfaces. Wipe any splashes of cleaner solutions from the surface with a clean soft cloth.
2. Maintain ventilation in the bathroom and separate the dry area from the damp one if conditions permit. Try to open the door and windows of the bathroom to maintain adequate ventilation.
3. This cabinet is built to withstand normal bathroom humidity. For best results, keep this vanity dry and take necessary steps to minimize bathroom humidity by opening windows and doors and using the exhaust fan (if available).
4. To maintain the cabinet door, clean and wipe the door regularly with a soft cloth. Wipe condensation with a dry, soft cloth. Keep away from high temperatures.
5. Please do not sit, lean or step on the basin cabinet.



Thank you very much for purchasing from us.

We have always been trying to provide the best service and reliable products for every customer.

We sincerely hope you will be satisfied with our products and leave us FIVE STARS and POSITIVE feedback/review in our page.

However, accident may happen sometimes, please contact us to resolve any issue before leaving a negative feedback.

Many thanks and welcome to our shop again!