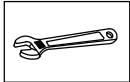
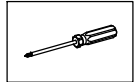


Basin Faucet Installation

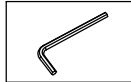
Tools You Will Need :



Adjustable wrench



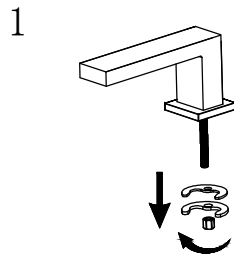
Phillips Screwdriver



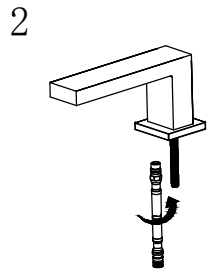
Hexagon Wrench



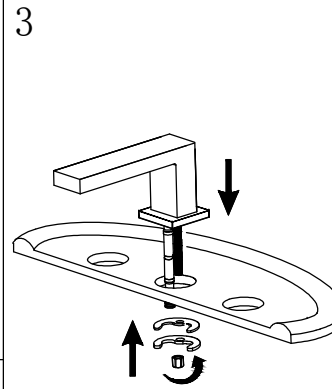
Pipe Tape



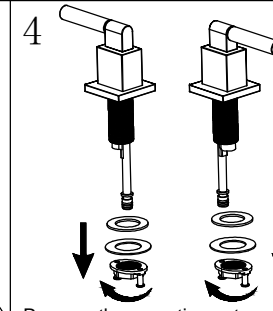
1
Remove the mounting nut, and rubber & metal washer from the spout.



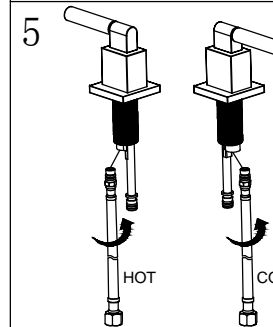
2
Screw the outlet hose into the bottom of the spout.



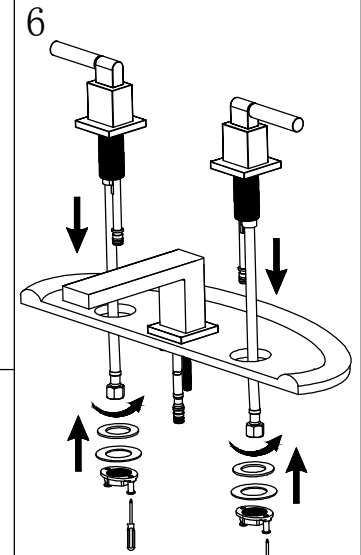
3
Install the spout into the center hole, then put the rubber gasket and metal gasket in order, then lock the locking nut and tighten with the screw.



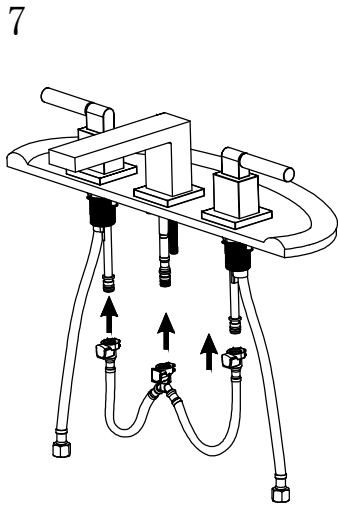
4
Remove the mounting nut, and rubber & metal washer from the body.



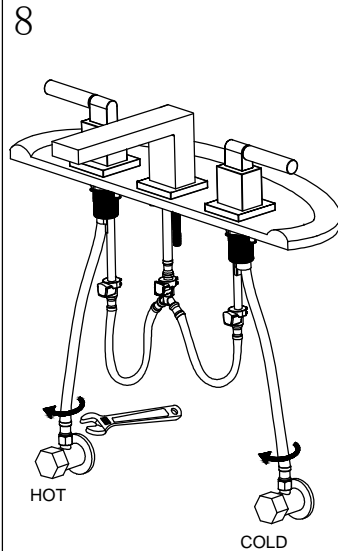
5
Connect the supply line to the handle.



6
Install the handle sets into the hole at the two sides, then put the rubber gasket and metal gasket in order, then lock the locking nut and tighten with the screw.

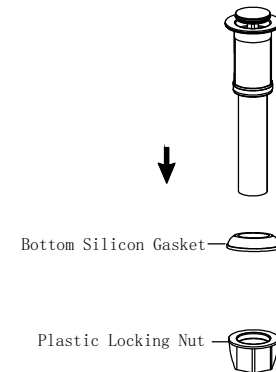


7
Connect the cross hose to these outlet turns.

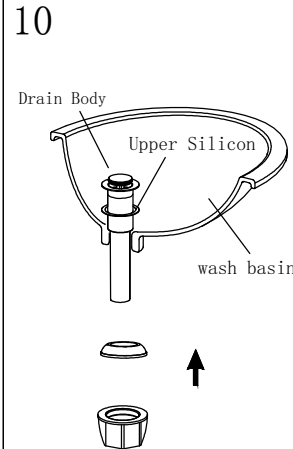


8
Tightening the supply hoses and separate them to the pull-down hose in case that the sensor doesn't work. (Tighten with a wrench until secure).

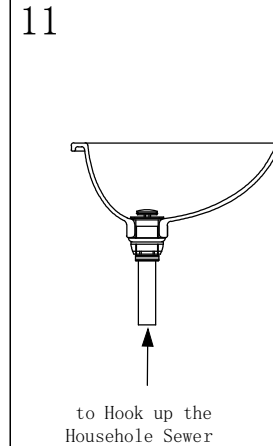
9 Pop-up Drain



9
1. Remove Bottom Silicon Gasket, Plastic Locking Nut From The Drain Body.



10
2. Put The Drain Body Into The Sinkhole, Then Tighten All Locking Fitting In Sequence As Shown.



11
3. Hook the Tailpiece up and fixed up to the home's sewer

12 Maintain

Note: Before removing the faucet, be sure to close the water pipe, open the handle, and ensure that the water valve switch is completely closed.

To keep the surface clean and bright, please clean the faucet regularly and follow the steps below:

1. Use water and a soft cloth to clean the faucet surface to return it to the best condition.
2. Use only the following cleaning agents to clean the oil stains:
Soft liquid cleaner
Colorless glass cleaner
Non-corrosive cleaning wax
Do not use any aggressive cleaning agents which contain ingredients such as chlorine bleach, formic acid, acetic, or hydrochloric acid to clean your kitchen faucet. Also, avoid abrasive cleaning agents and sponges.
3. When cleaning, rinse off the detergent on the faucet surface with water in time, and wipe it dry with a cotton cloth.
4. Remove the bubbler regularly to flush to avoid clogging.