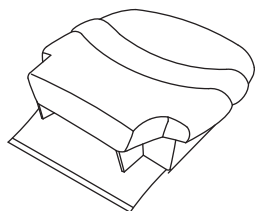
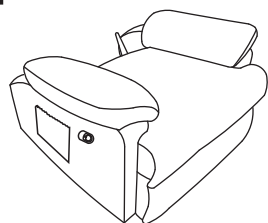


ASSEMBLY INSTRUCTIONS

Ax1



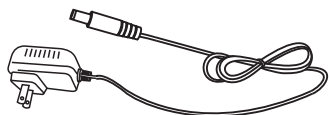
Bx1



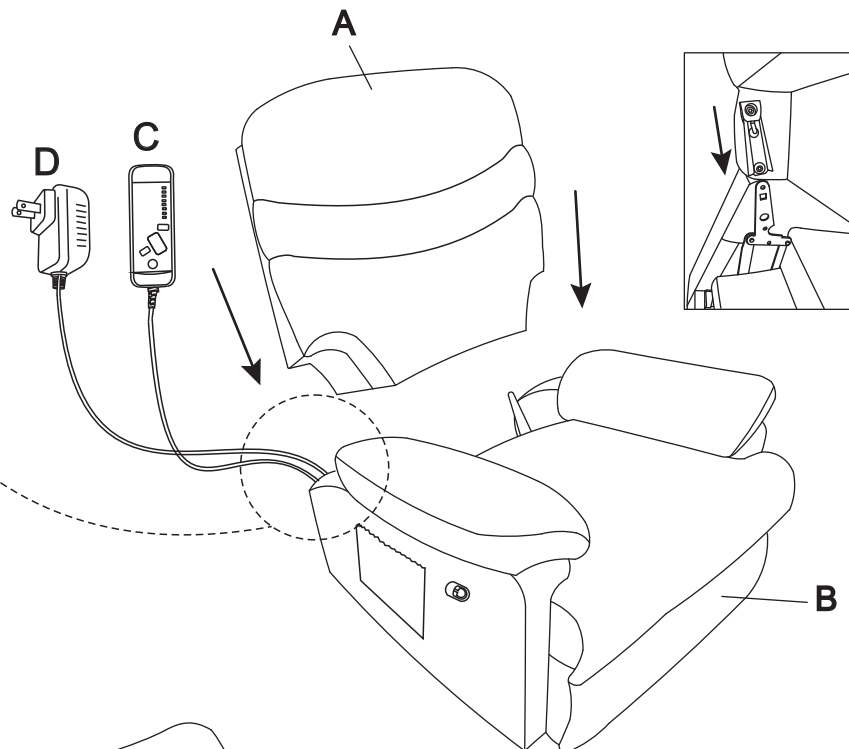
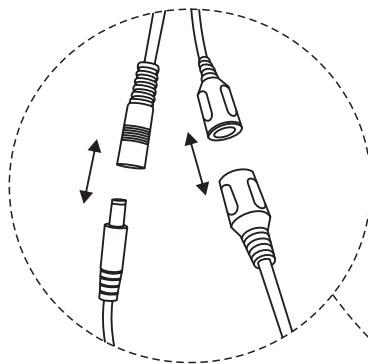
Cx1



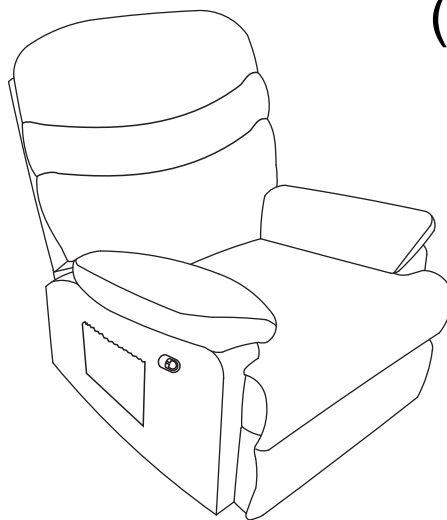
Dx1



(1)



(2)



(3)

