




Storage Cabinet

Made In China

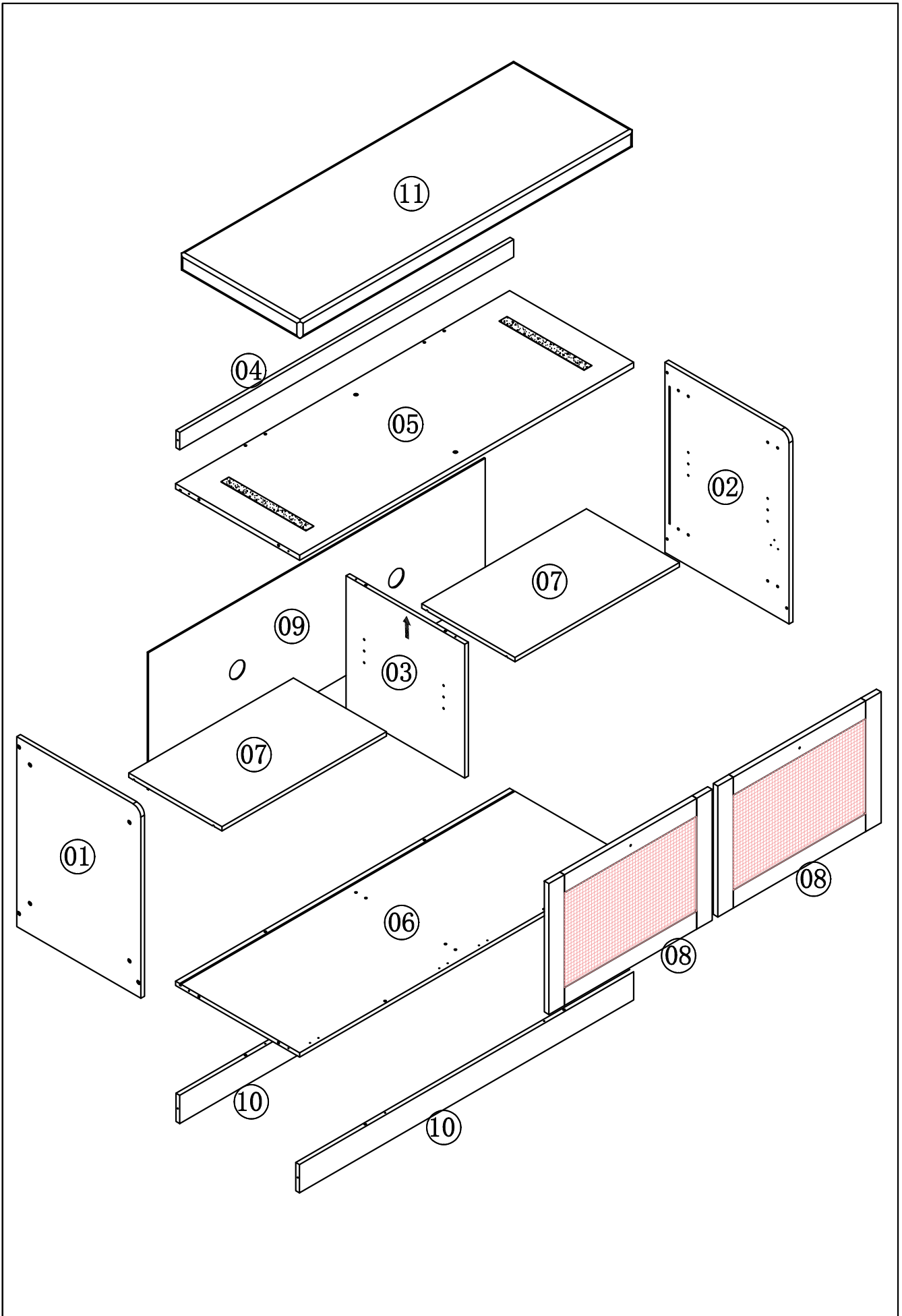
WARNING

Serious or fatal injury may occur from unexpected assembly or use.

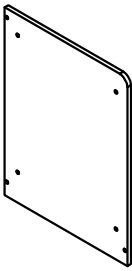
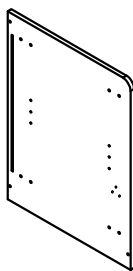
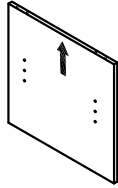
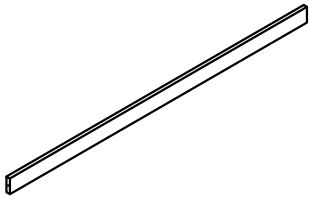
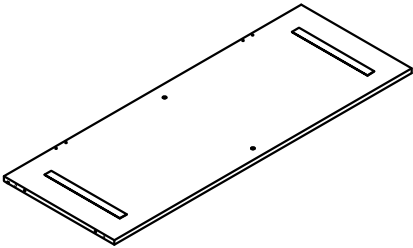
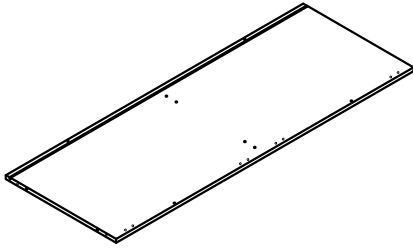
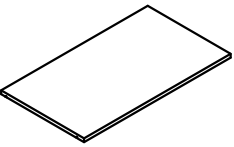
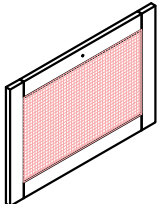
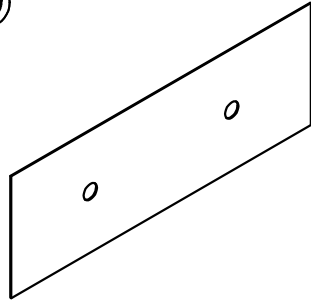
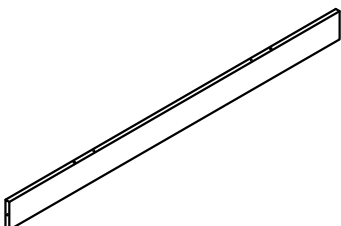
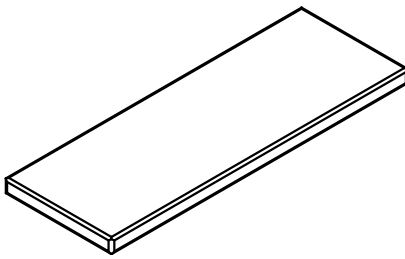
1. During the assembly process, keep all parts away from babies or children.
2. Always securely fix this product to the wall. Make sure the wall area to be drilled is free from hidden electrical wires, water and gas pipes.
3. Use of tip-over restraints may only reduce, but not eliminate the risk of tip-over.
4. Unless specially designed to accommodate, do not set heavy objects on top of this product.
5. Place the heaviest items on the lowest shelf.
6. Never allow children to climb or bang on drawers, doors or shelves.

 WARNING	
	<p>Children have died from furniture tipover. To reduce the risk of furniture tipover:</p> <ul style="list-style-type: none">• ALWAYS install tipover restraint provided.• NEVER put a TV on this product.• NEVER allow children to stand, climb or hang on drawers, doors, or shelves.• NEVER open more than one drawer at a time.• Place heaviest items in the lowest drawers.
	

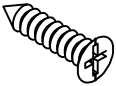
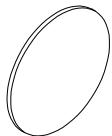
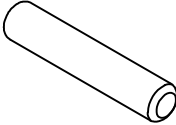
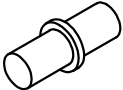
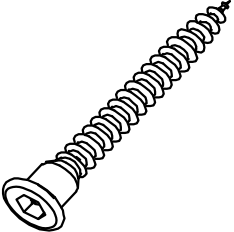
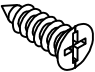
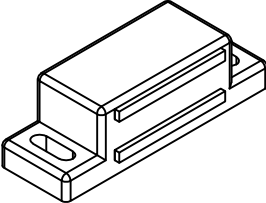
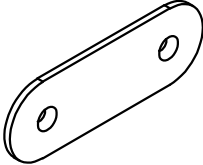
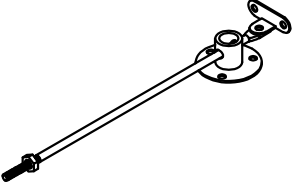
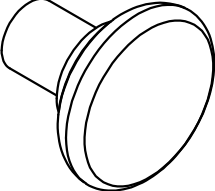
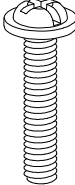
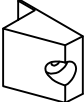
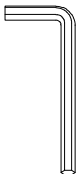
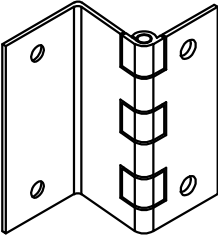
Parts List(EN) / Teile Liste(DE)



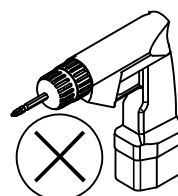
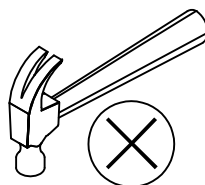
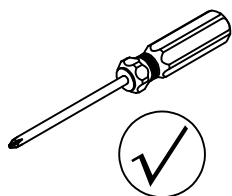
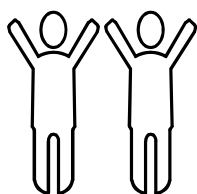
Parts List(EN) / Teile Liste(DE)

<p>①</p>  <p>530*400*12mm 1 PC</p>	<p>②</p>  <p>530*400*12mm 1 PC</p>	<p>③</p>  <p>373*382*12mm 1 PC</p>
<p>④</p>  <p>1076*49*15mm 1 PC</p>	<p>⑤</p>  <p>1076*400*15mm 1 PC</p>	<p>⑥</p>  <p>1076*400*12mm 1 PC</p>
<p>⑦</p>  <p>530*300*12mm 2 PCS</p>	<p>⑧</p>  <p>364*526*15mm 2 PCS</p>	<p>⑨</p>  <p>1085*382*3mm 1 PC</p>
<p>⑩</p>  <p>1076*79*15mm 2 PCS</p>	<p>⑪</p>  <p>1076*385*50mm 1 PC</p>	

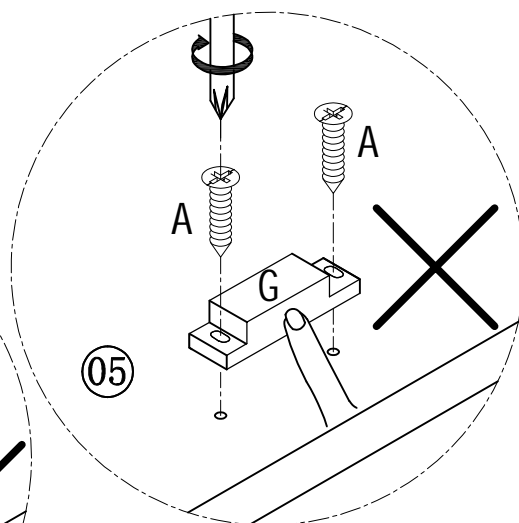
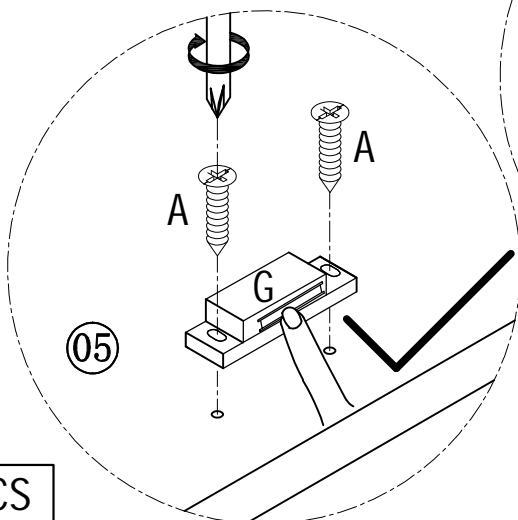
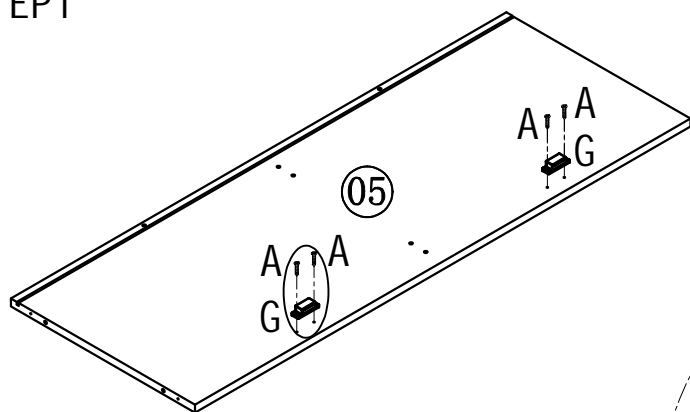
Hardware List(EN)/Teile Liste(DE)



<p>A</p>  <p>$\phi 3 \times 16\text{mm}$ 10PCS</p>	<p>B</p>  <p>$\phi 15\text{mm}$ 24PCS</p>	<p>C</p>  <p>$\phi 6 \times 30\text{mm}$ 18PCS</p>	<p>D</p>  <p>$\phi 5 \times 19\text{mm}$ 8PCS</p>
<p>E</p>  <p>$\phi 5 \times 45\text{mm}$ 24PCS</p>	<p>F</p>  <p>$\phi 3 \times 12\text{mm}$ 30PCS</p>	<p>G</p>  <p>$46 \times 16 \times 14\text{mm}$ 2PCS</p>	<p>H</p>  <p>$44 \times 12\text{mm}$ 2PCS</p>
<p>I</p>  <p>$192 \times \phi 34\text{mm}$ 2PCS</p>	<p>J</p>  <p>$\phi 31 \times 28\text{mm}$ 2PCS</p>	<p>K</p>  <p>$\phi 4 \times 20\text{mm}$ 2PCS</p>	<p>L</p>  <p>$13 \times 13 \times 11\text{mm}$ 6PCS</p>
<p>M</p>  <p>M4 1PC</p>	<p>N</p>  <p>$41 \times 12 \times 1\text{mm}$ 4PCS</p>		

Assembly Steps(EN) / Montageschritte(DE)

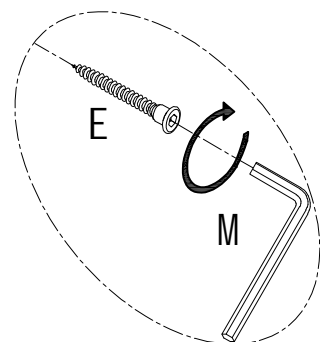
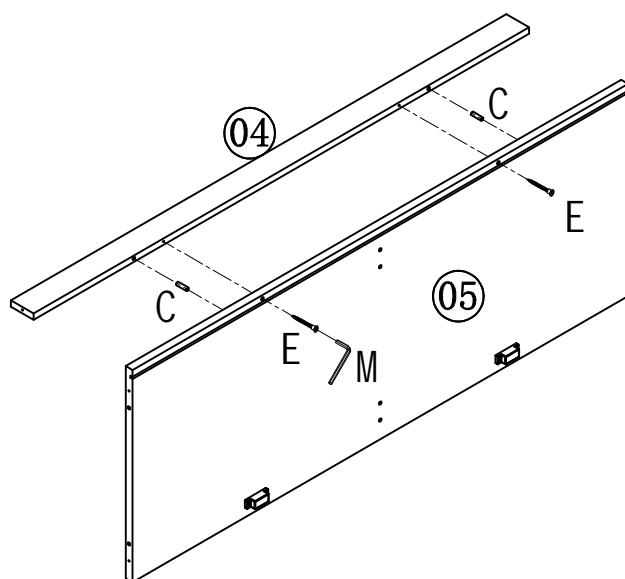


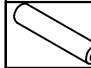


STEP1



	A*4PCS
	G*2PCS

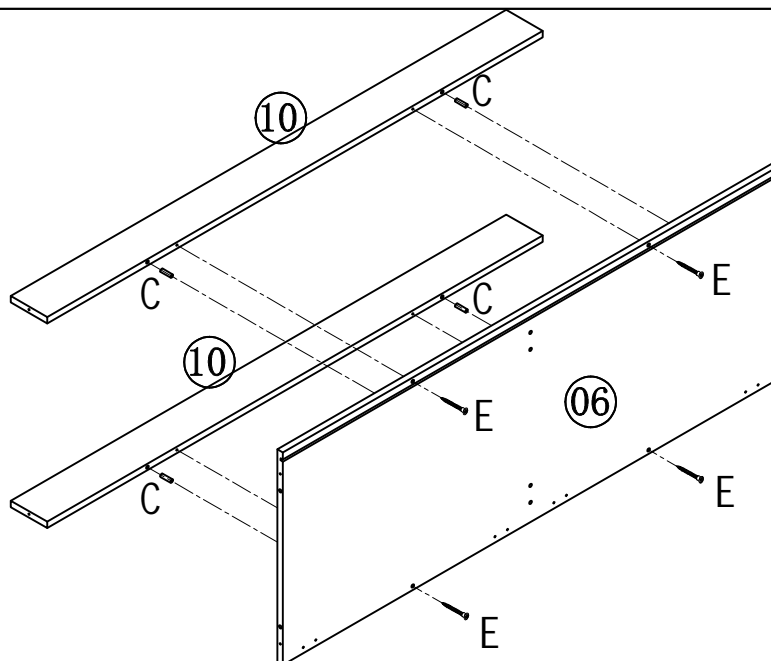
STEP2

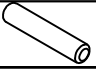



	C*2PCS
	E*2PCS
	M*1PC

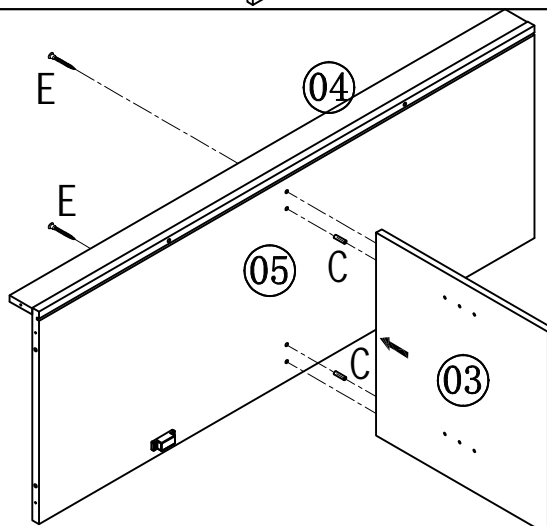
Assembly Steps(EN) / Montageschritte(DE)

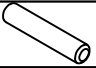

STEP3



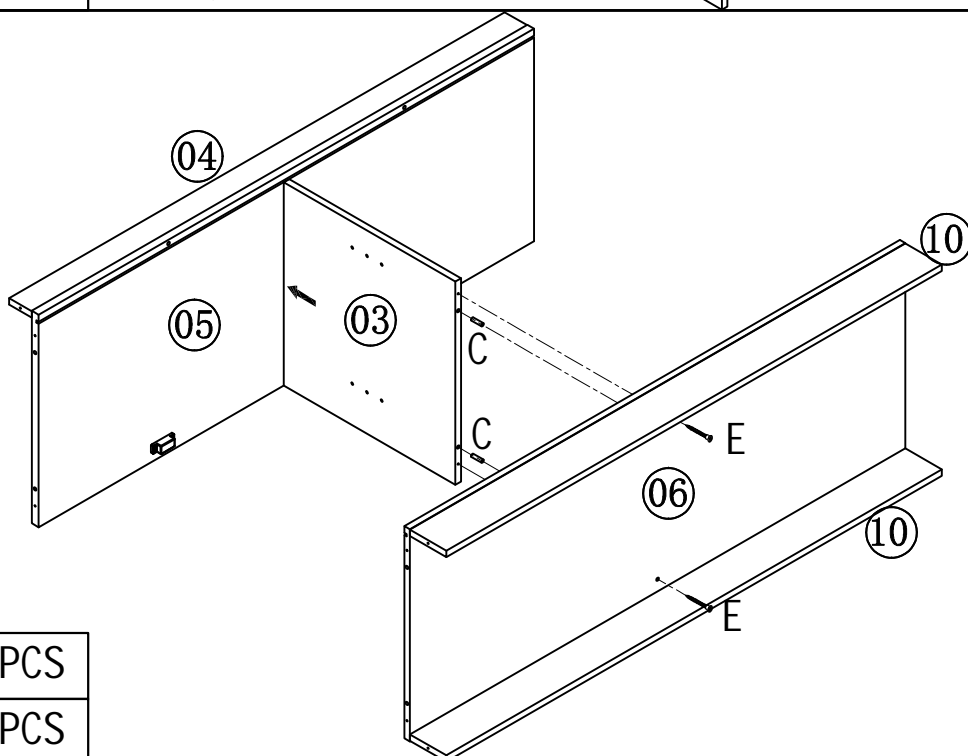
	C*4PCS
	E*4PCS

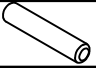

STEP4



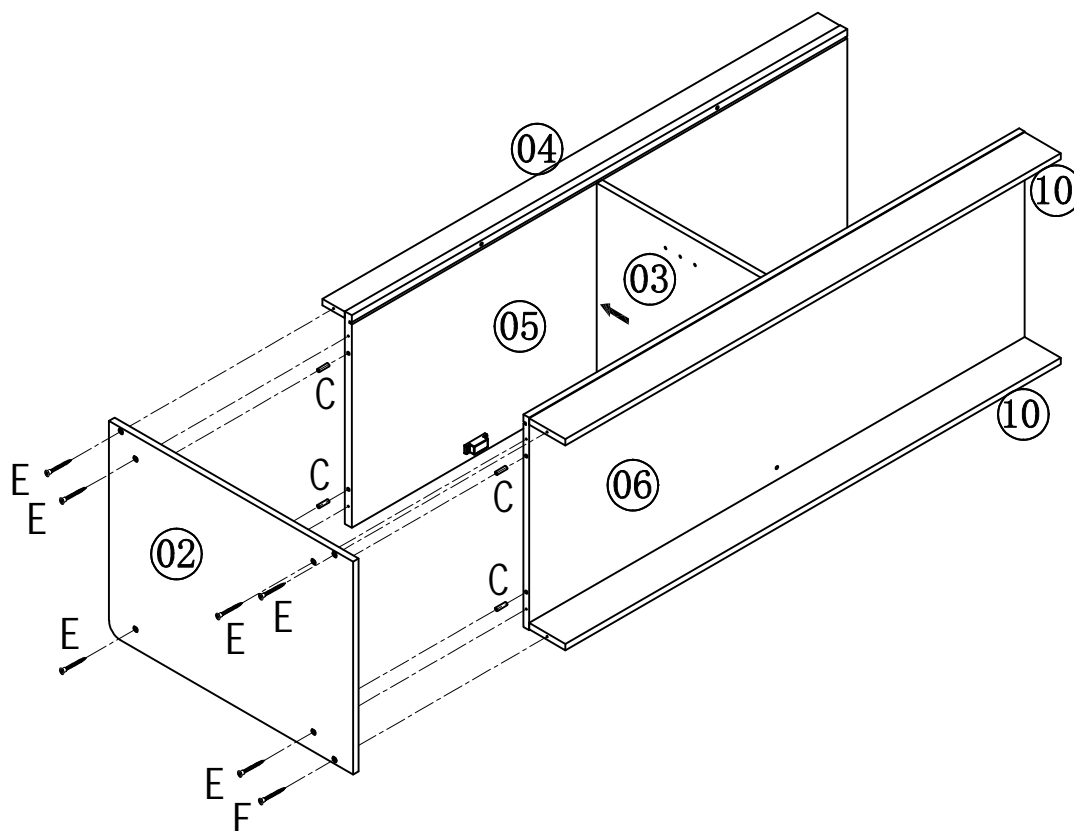
	C*2PCS
	E*2PCS



STEP5



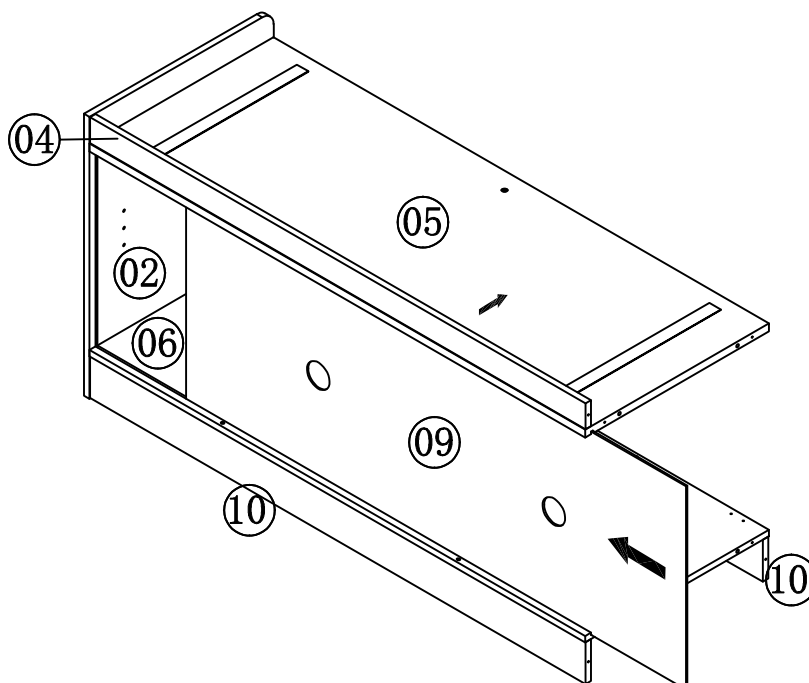
	C*2PCS
	E*2PCS

STEP6



	C*4PCS
	E*7PCS

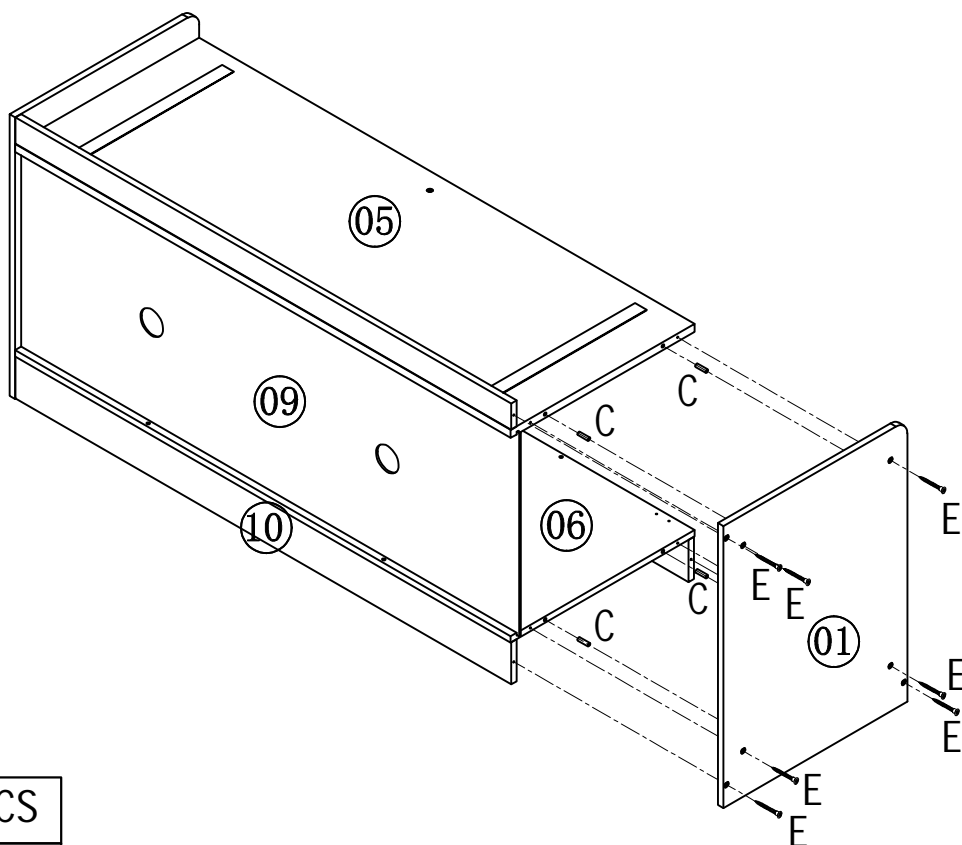
STEP7

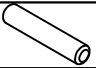



Thin back board needs to be inside the slot, otherwise blocks the opposite plate montage.

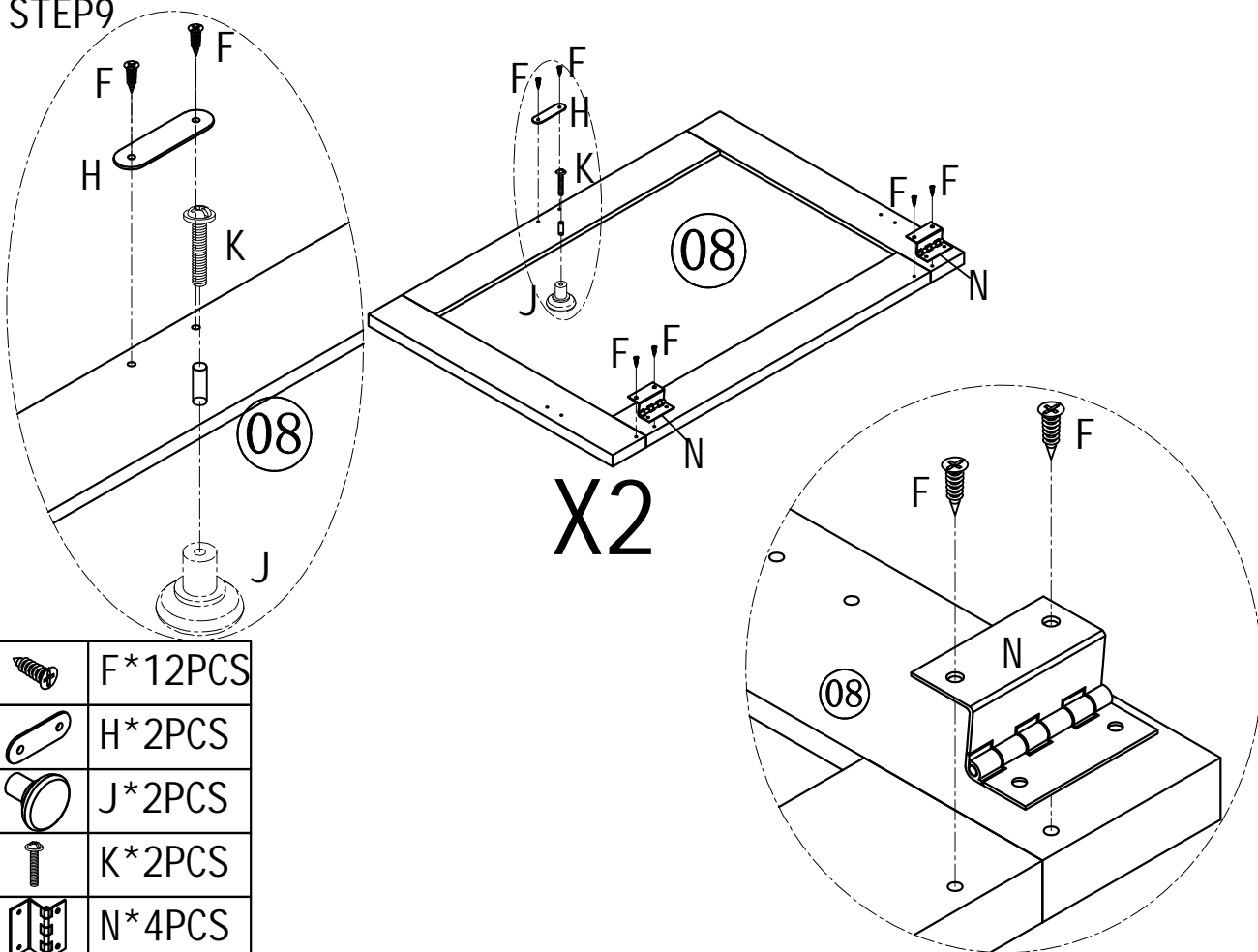
Assembly Steps(EN) / Montageschritte(DE)






STEP8



	C*4PCS
	E*7PCS

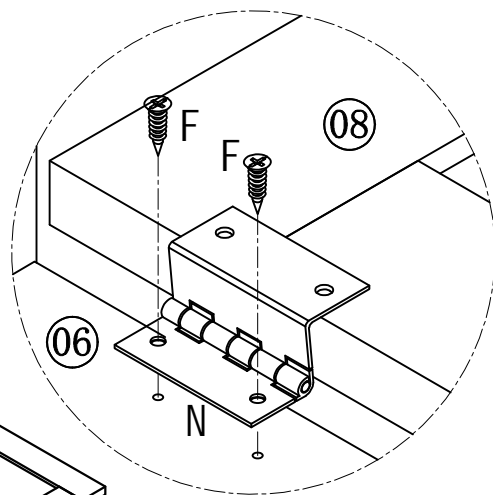
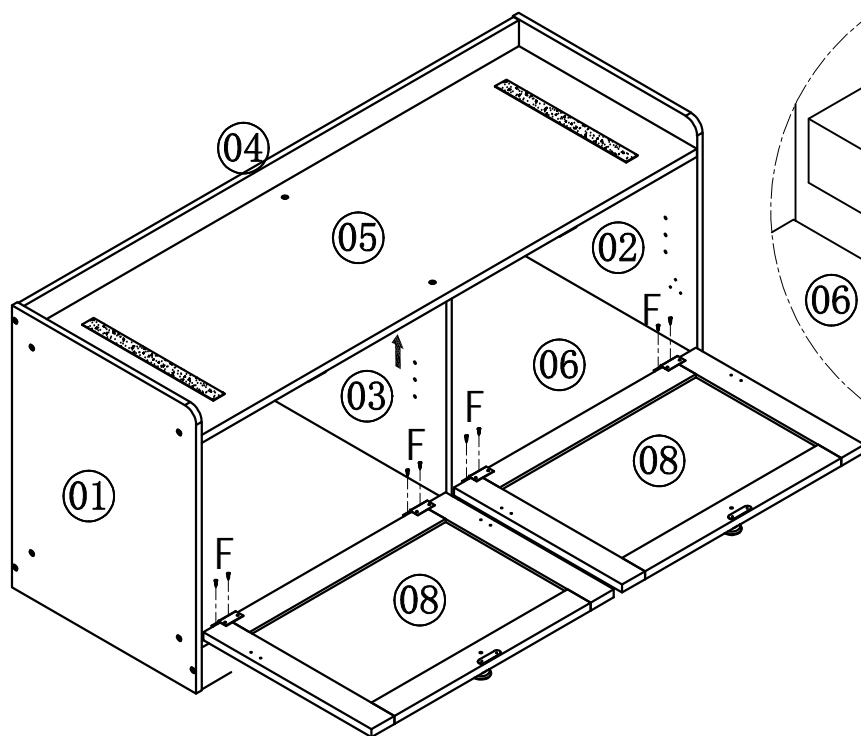
STEP9



	F*12PCS
	H*2PCS
	J*2PCS
	K*2PCS
	N*4PCS

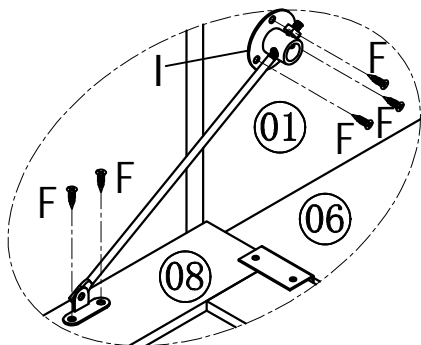
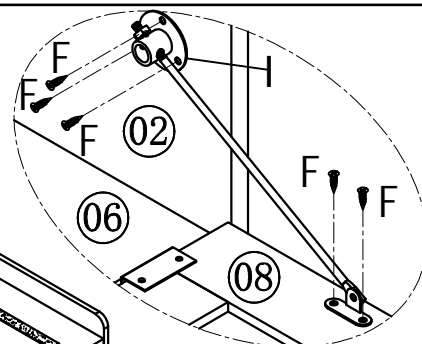
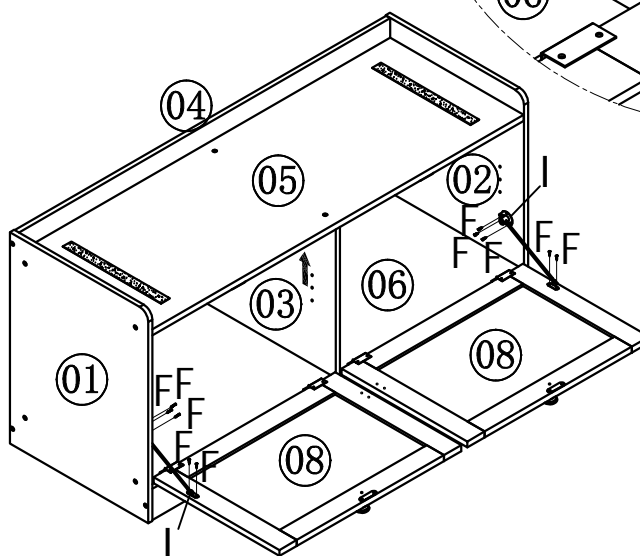
Assembly Steps(EN) / Montageschritte(DE)

STEP10



F*8PCS

STEP11



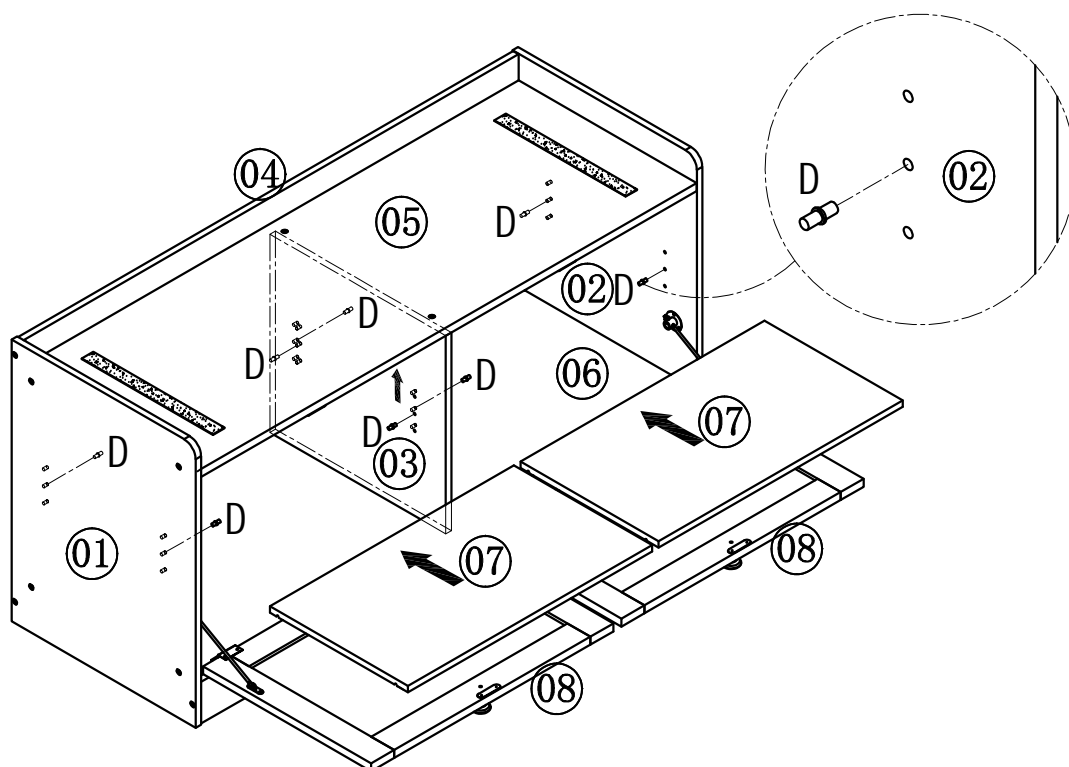
F*10PCS




I*2PCS

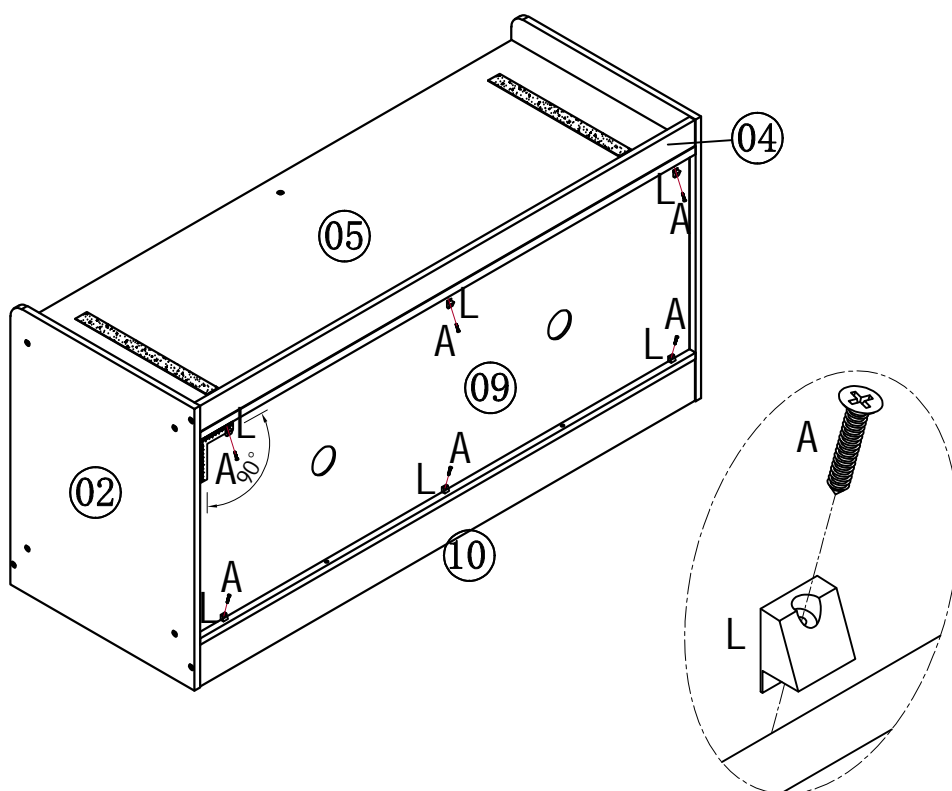
Assembly Steps(EN) / Montageschritte(DE)

STEP12




 D*8PCS

STEP13

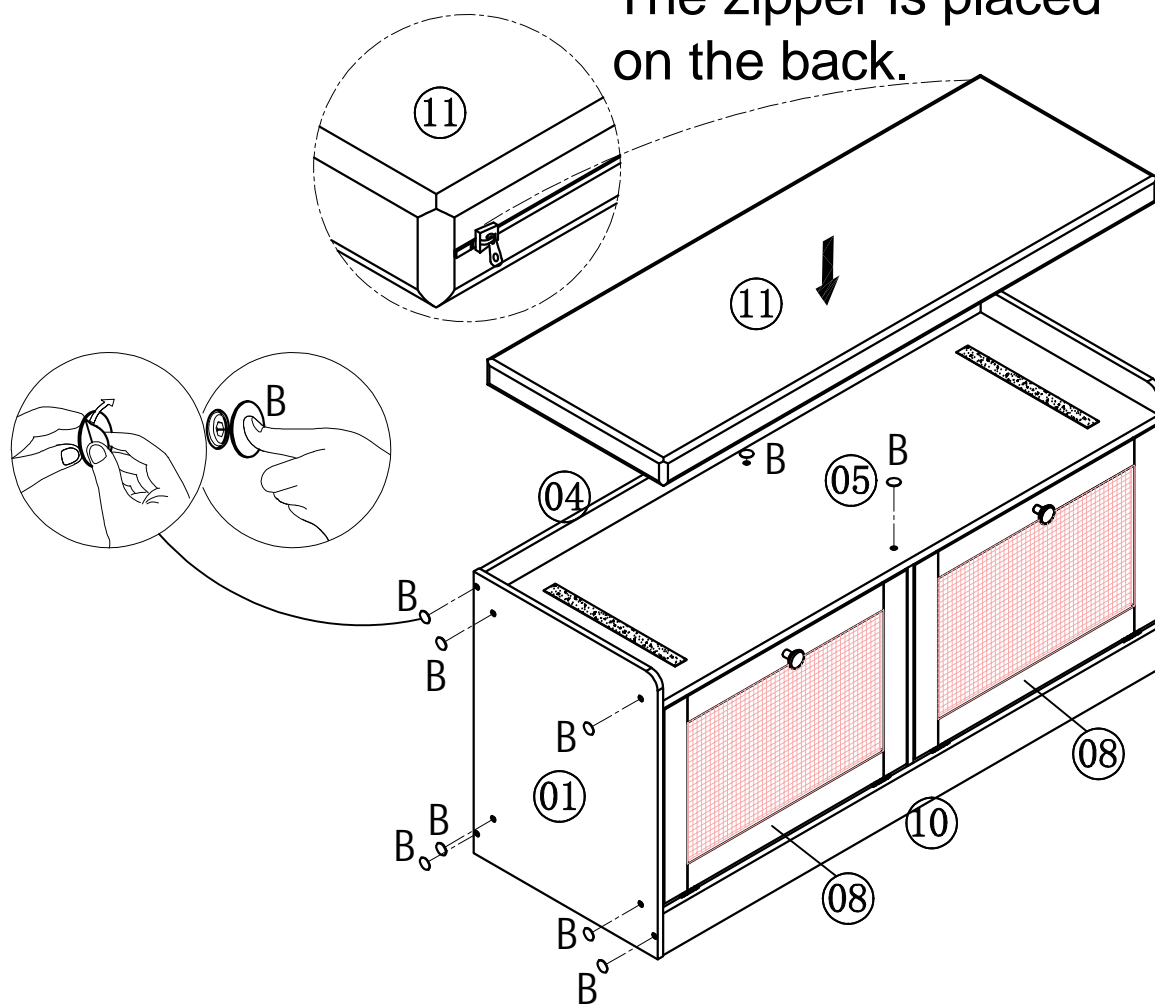


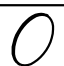
 A*6PCS

 L*6PCS

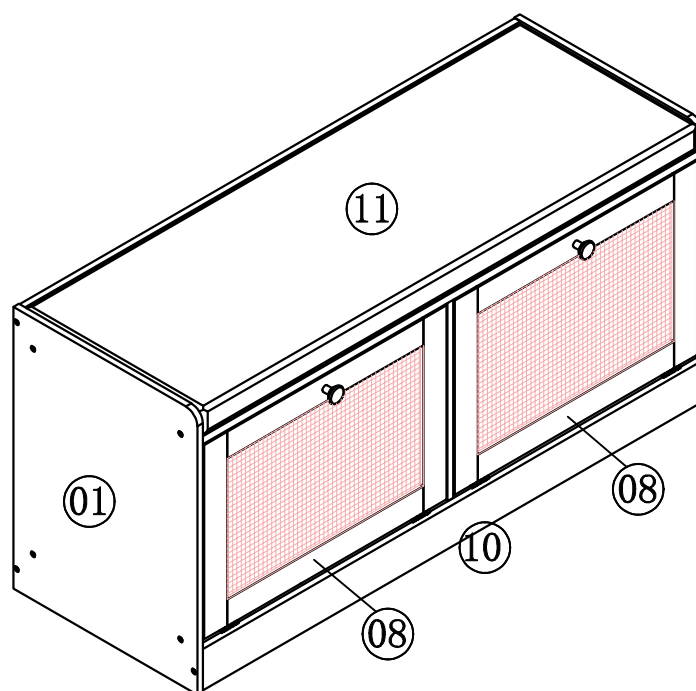
STEP14

The zipper is placed on the back.



 B*24PCS

STEP15



Finish