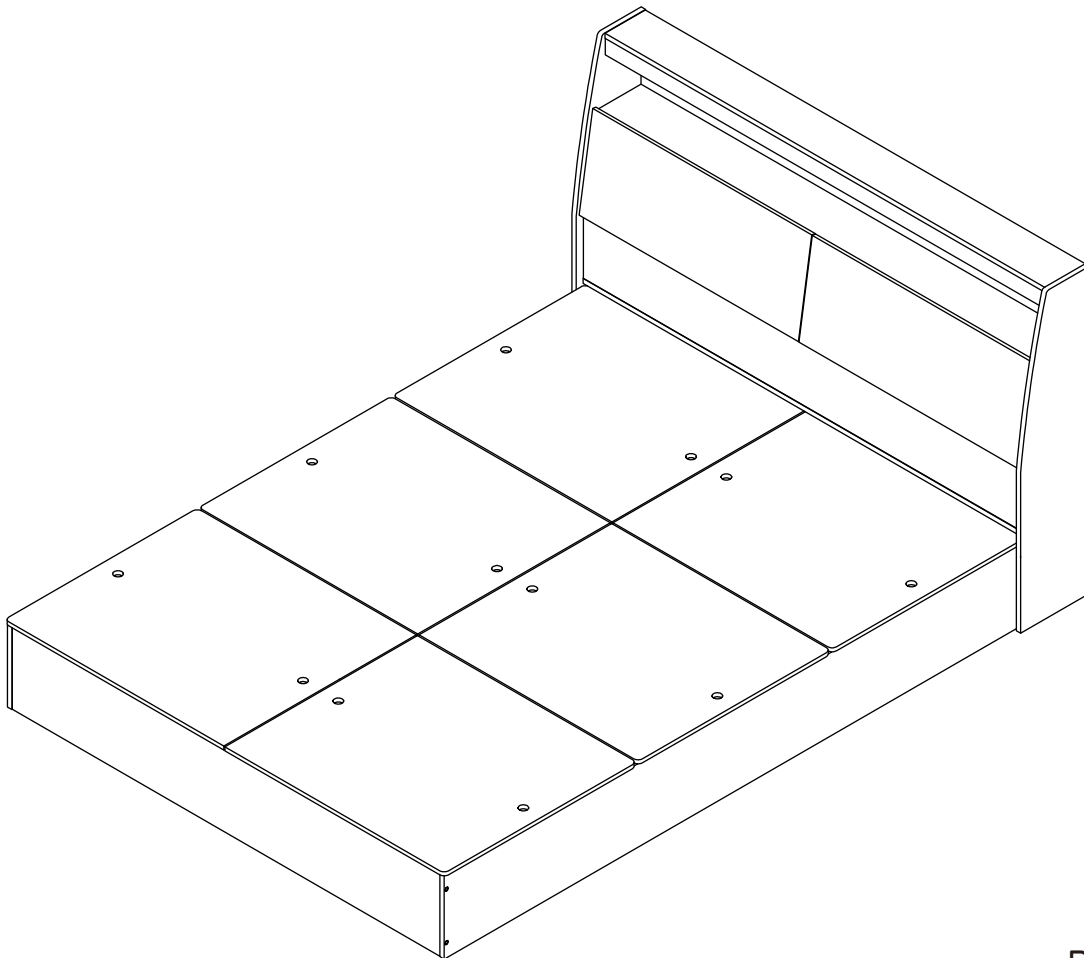


# ASSEMBLY INSTRUCTION

Thank you for purchasing the quality product. Be sure to check all packing material carefully for small parts which may have come loose inside the carton during shipment. Separate, identify and count all parts and metal hardware. Compare with all parts are present. If any part(s) are missing or damaged, please contact your local furniture dealer. For efficient and speedy service, please indicate the model number and code letter of part(s) needed.

**\*\*\*Do not fully tighten screws until fully assembled.\*\*\***

## Q BED



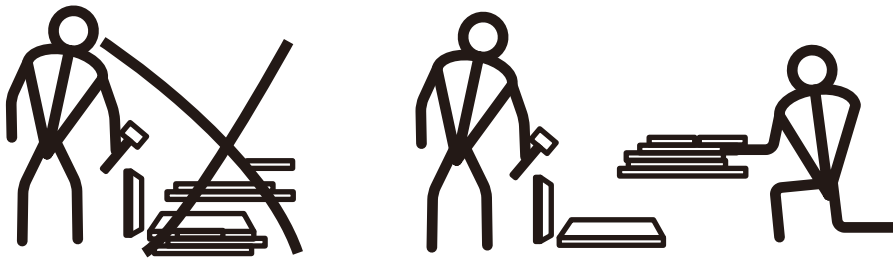
### DIMENSIONS

Width - 61.1"  
Depth - 87.33"  
Height - 38.58"

# ASSEMBLY INSTRUCTIONS

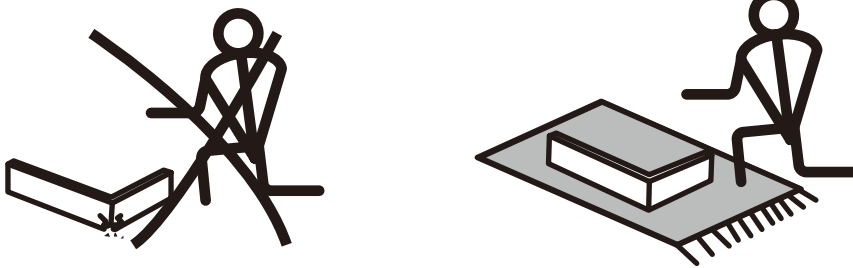
## PRECAUTIONS

Because our products may be challenging for beginners, we deeply understand that you may encounter some difficulties. To avoid discouragement, we have provided some useful tips, as follows.



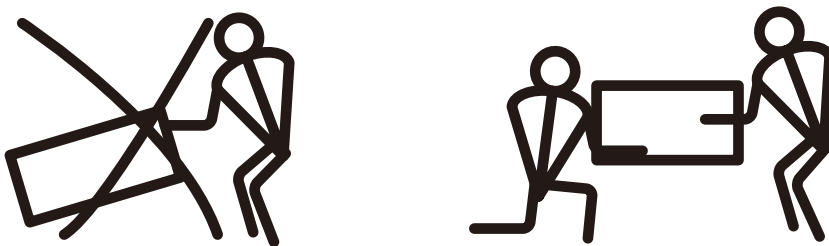
### Enough Open Space -

Ensure that there is enough space for movement during assembly.



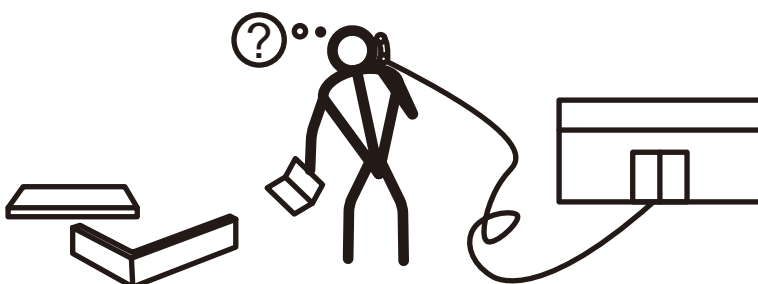
### Prevent Scratching -

When assembling furniture, use cardboard, blankets or a carpet areas to prevent scratches.



### More than two people -

Always have at least two people to help transport and assemble the product to avoid potential injury and/or damage.



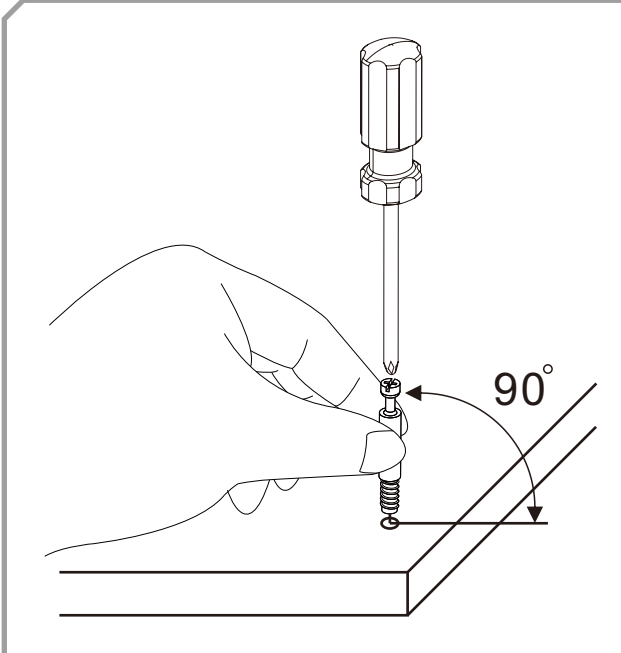
### Question -

If there is any problem with the assembly process, you can call us.

# ASSEMBLY INSTRUCTIONS

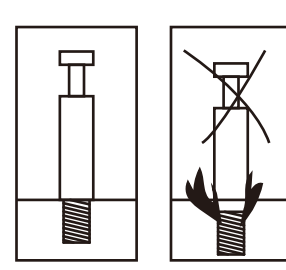
## CAM LOCK FASTENER

Every cam bolt must have a cam lock connector to hold the parts together.

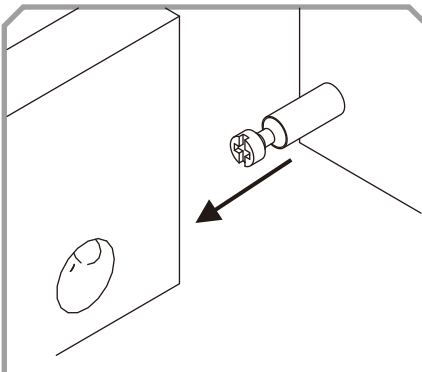


1.

When assembling, the hardware parts and the wooden board must be kept vertical, and the tools must be in full contact with the hardware groove.

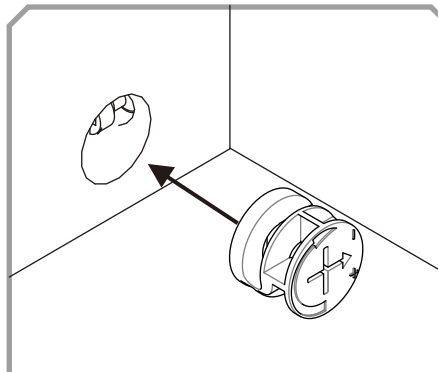


Caution:  
Do not use excessive force to avoid over-fastening, or even exceed the entire board.



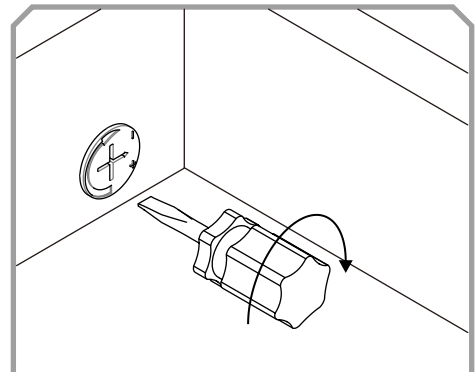
2.

Insert the cam lock pin into the hole of joint panel.



3.

The cam lock nut opening side (or arrow) aligned with the cam lock pin.



4.

Slowly rotate the cam lock clockwise until it stops rotating.

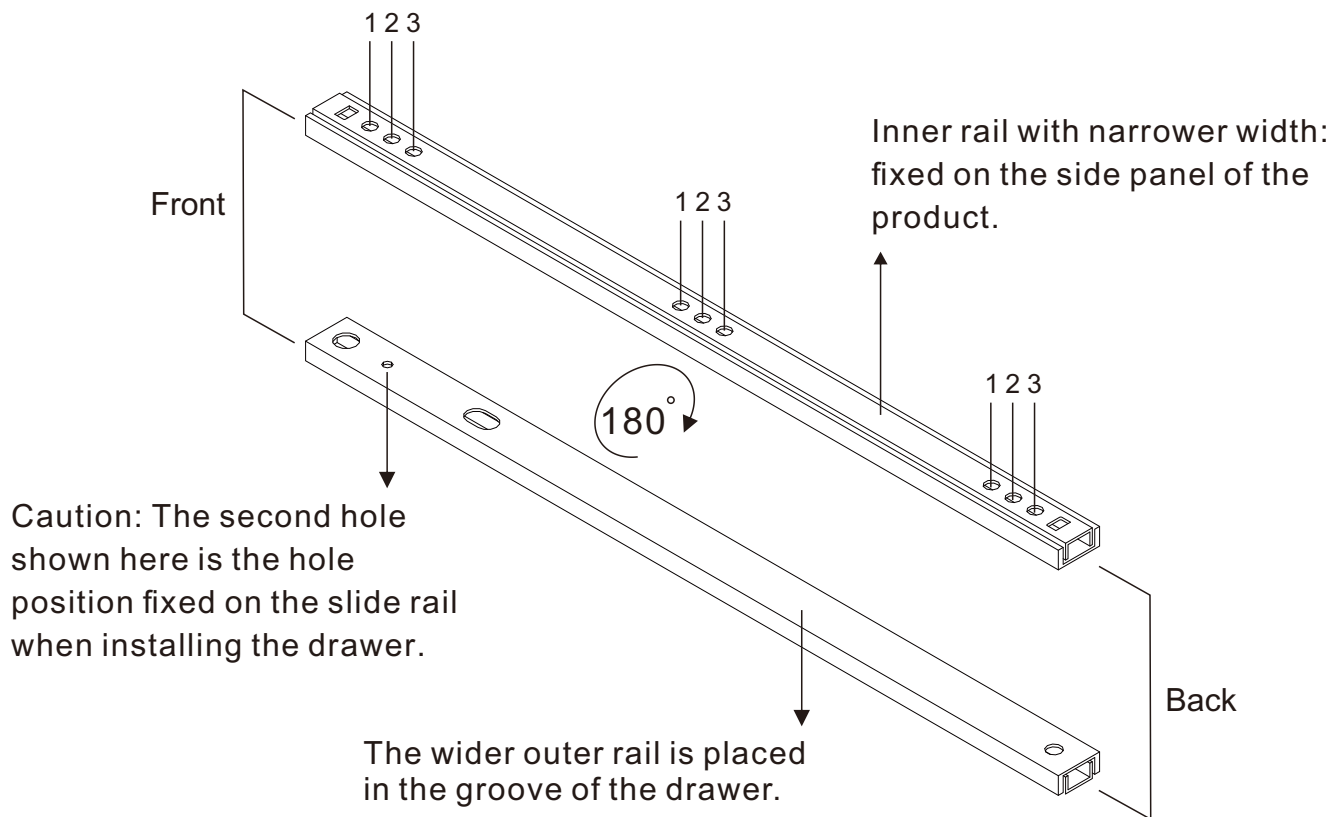


Caution:  
When assembling the cam lock, do not use an electric screwdriver to avoid damage to the board or hardware due to excessive force.

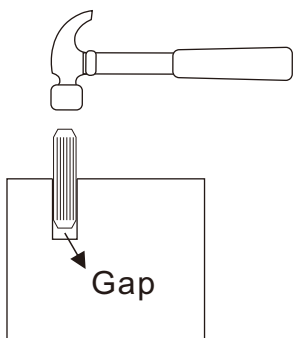
# ASSEMBLY INSTRUCTIONS

## SLIDE RAIL

The holes of the slide rail are in the same direction as the following page.

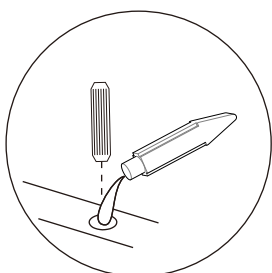


## DOWEL



### ATTENTION

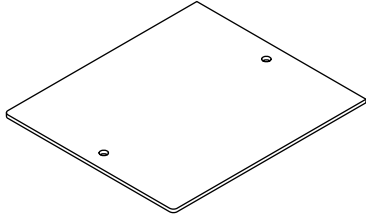
Inserting wood dowels is likely to be tight, so wood dowels may not easily touch the bottom and damage the side panels during installation. It is recommended to slight hit the wooden pins with a hammer to eliminate the gap between the wood dowel and board.



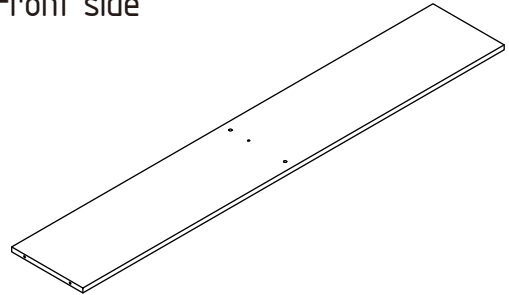
It is recommended to use white glue to increase the safety of the product. If you are worried about assembly errors, you can temporarily not add it, and then add it after confirming.

# PARTS LIST

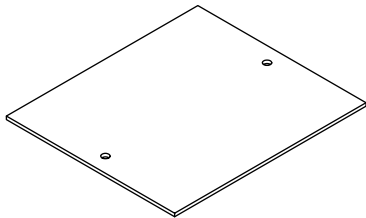
**A** X2 Front top



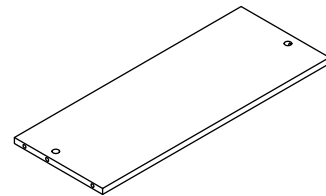
**F** X1 Front side



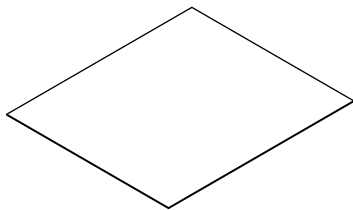
**B** X4 Back top



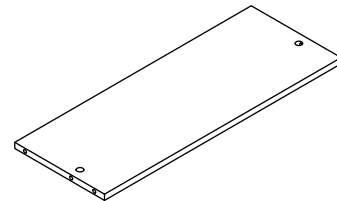
**G** X2 Front middle



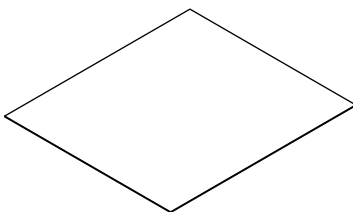
**C** X4 Front bottom



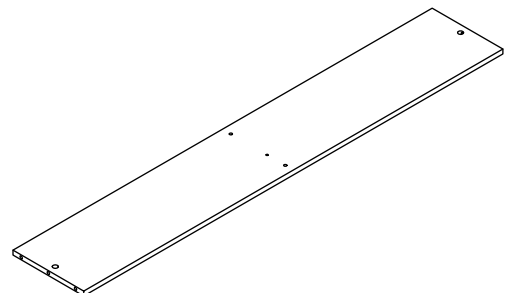
**H** X1 Middle



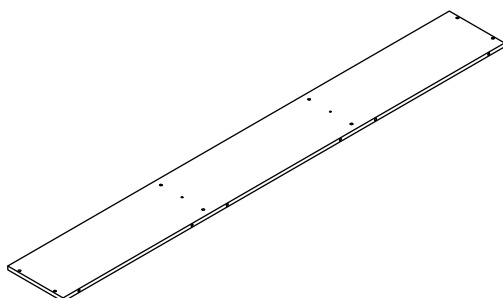
**D** X2 Middle bottom



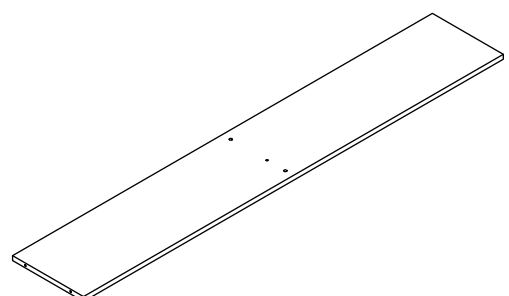
**I** X2 Middle side



**E** X2 Side



**J** X1 Back side



# HARDWARE LIST

① X10 Cam bolt 7\*35\*12.5mm



② X10 Cam lock 15\*12mm



③ X12 Dowel 8\*30mm



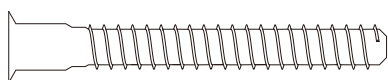
④ X12 Dowel (White) 8\*30mm



⑤ X4 Dowel 8\*50mm



⑥ X8 Coarse screw 7\*11\*50mm



⑦ X17 Foot nail



⑧ X1 Allen wrench



⑨ X1 Glue



⑩ X48 EVA Foam



⑪ X4 Non Slip Mattress Pad

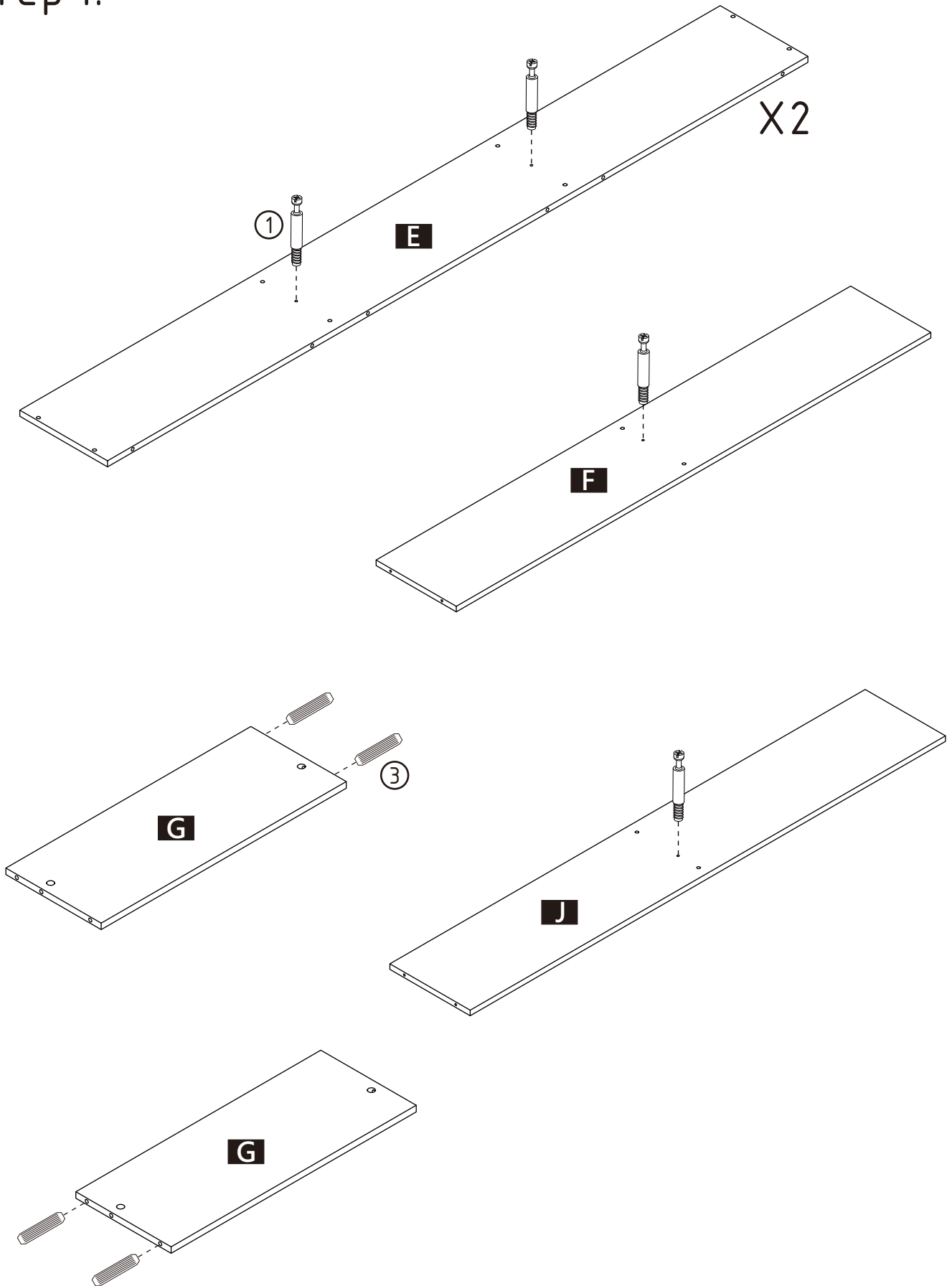


## Attention

Some number parts listed on the instruction sheet may not be in parts bag as they may already be assembled. Carefully check parts and packing materials prior to ordering replacements.

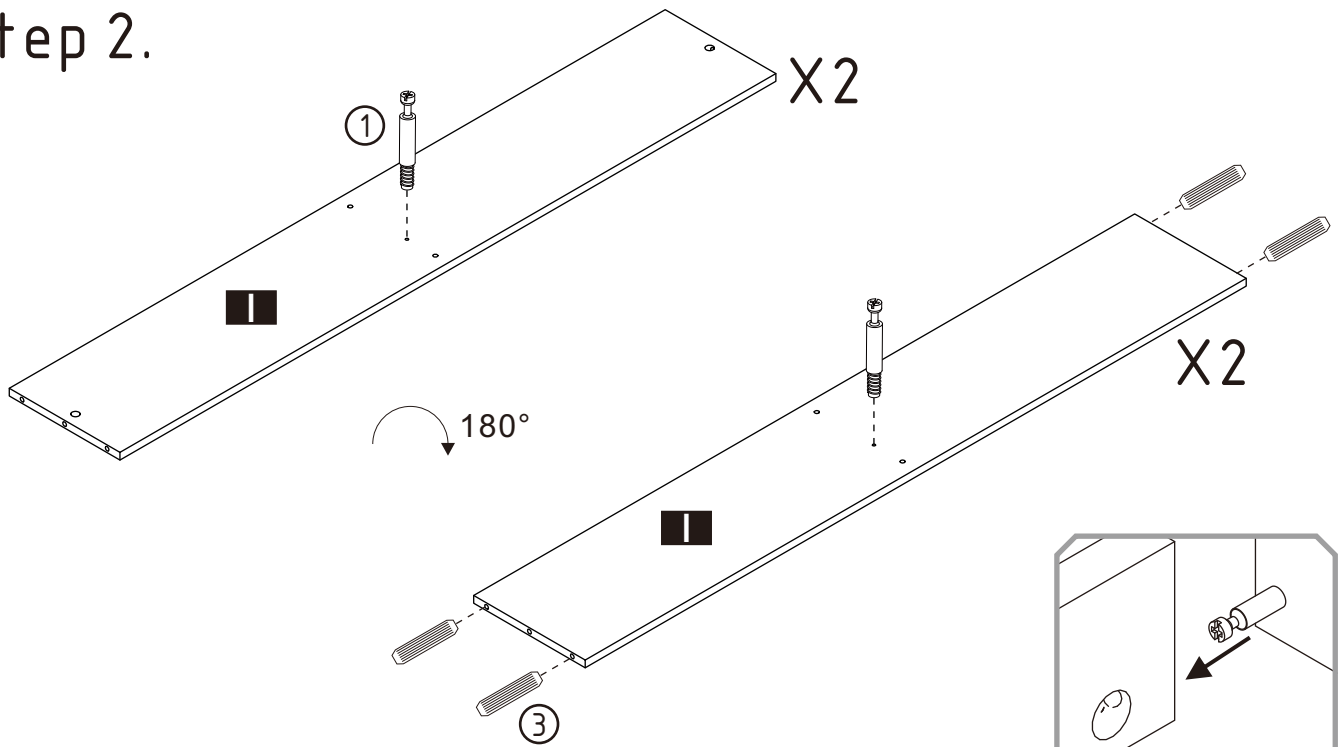
# ASSEMBLY INSTRUCTIONS

Step 1.

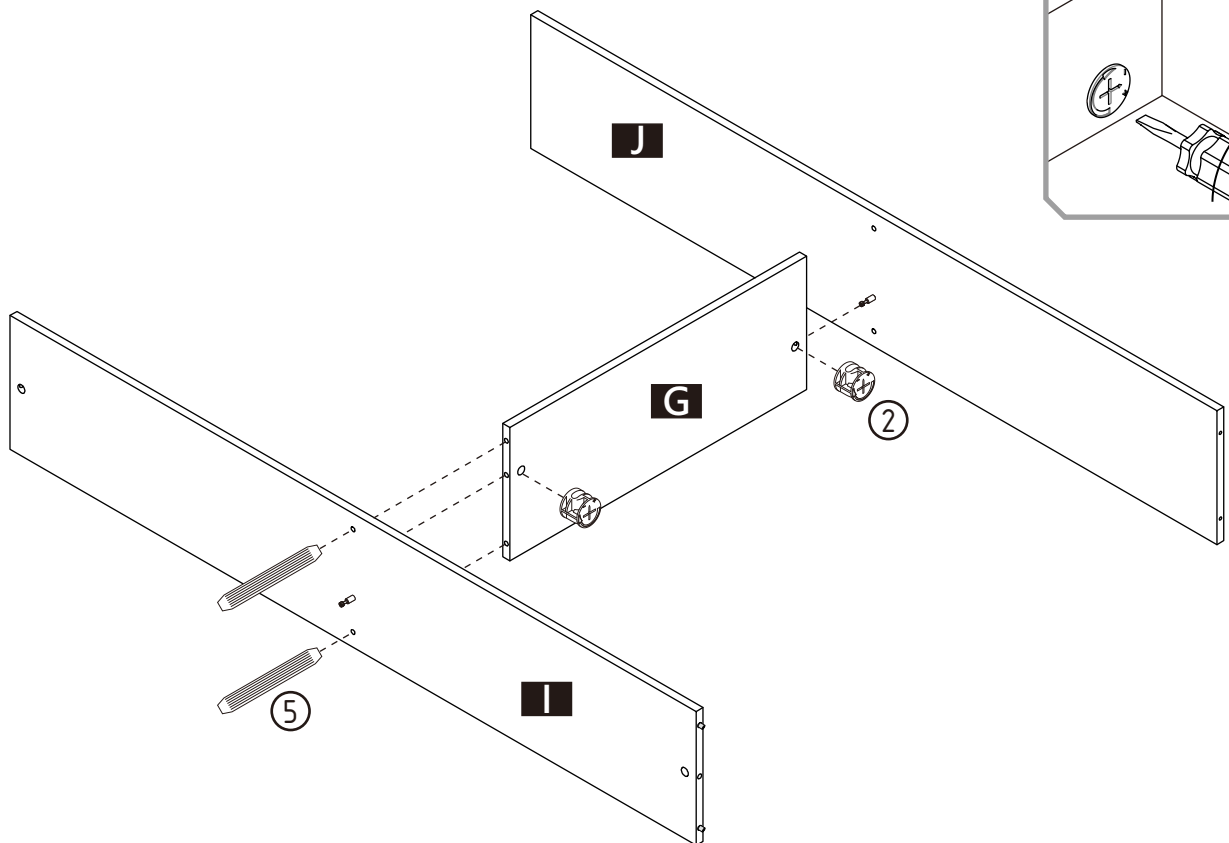


# ASSEMBLY INSTRUCTIONS

Step 2.

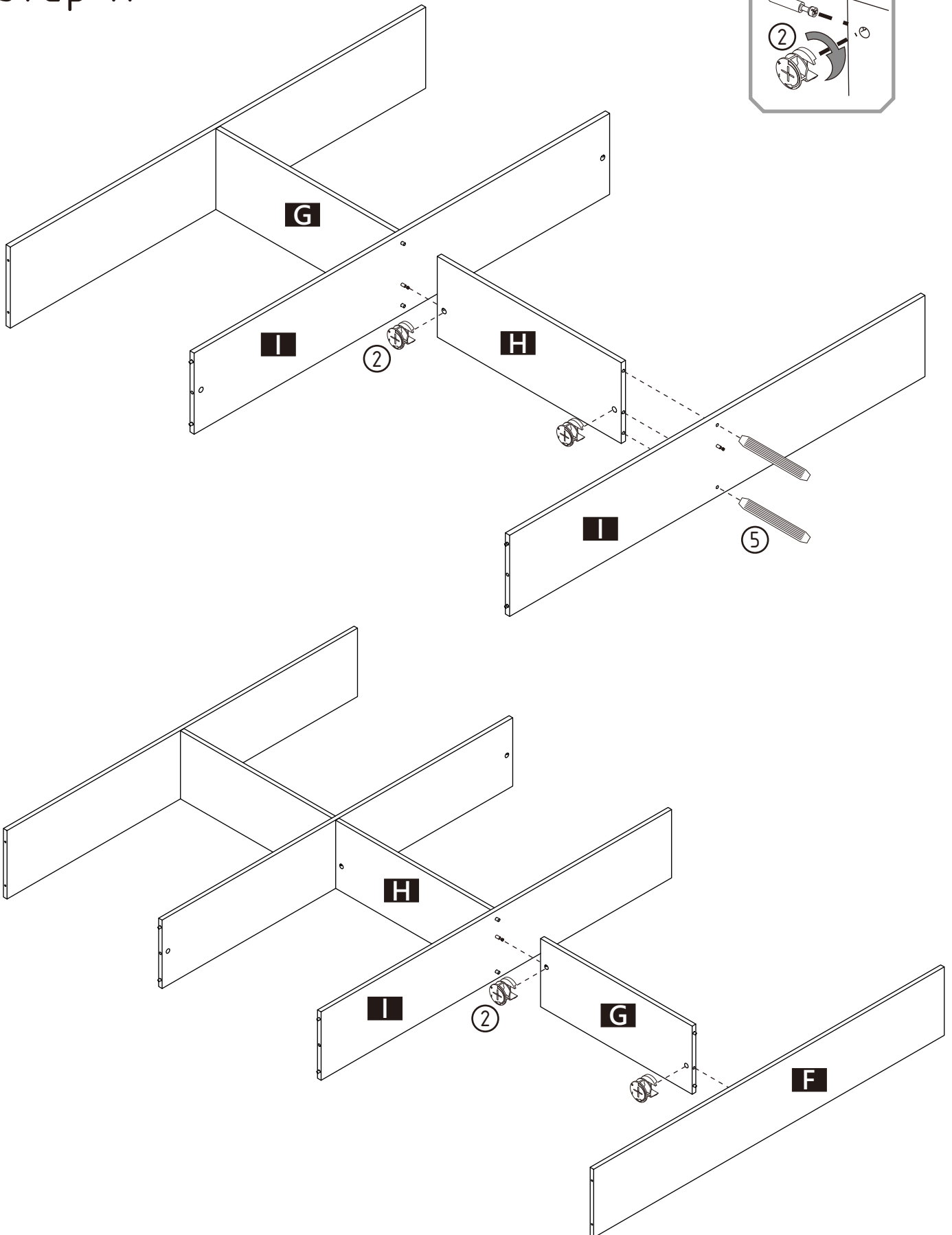
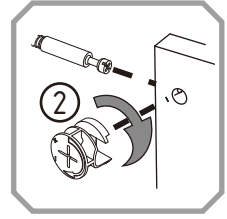


Step 3.



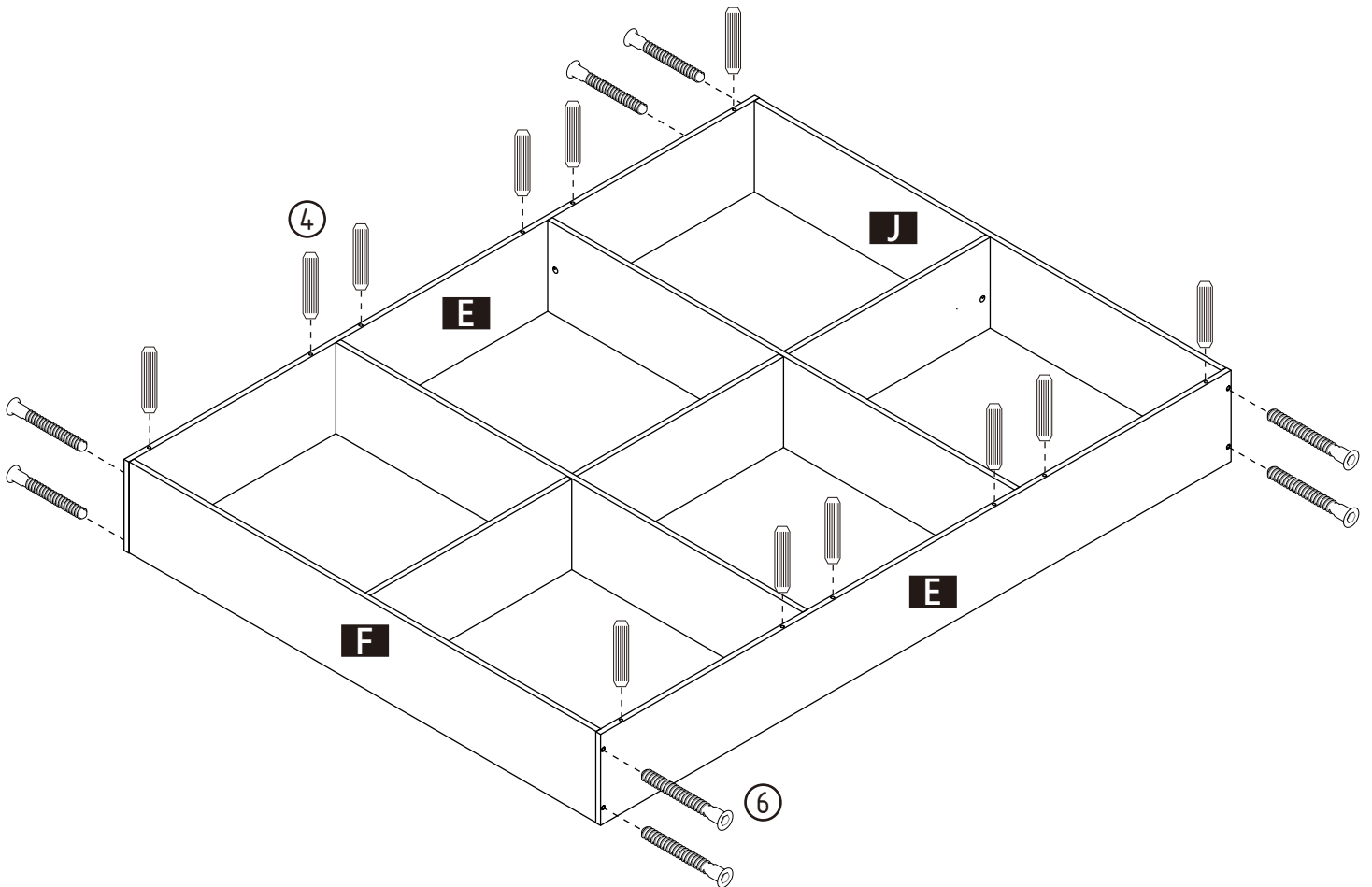
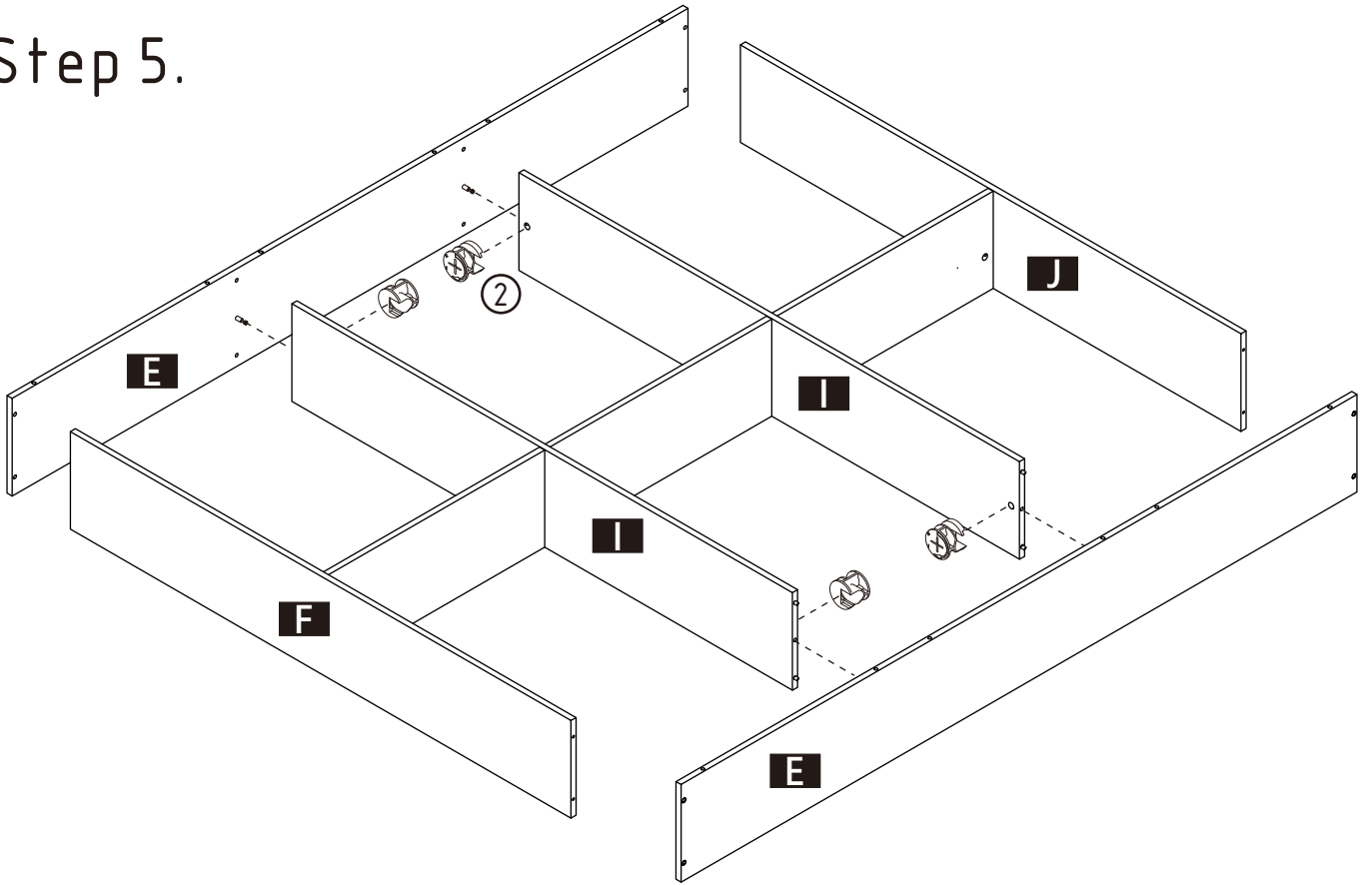
# ASSEMBLY INSTRUCTIONS

Step 4.



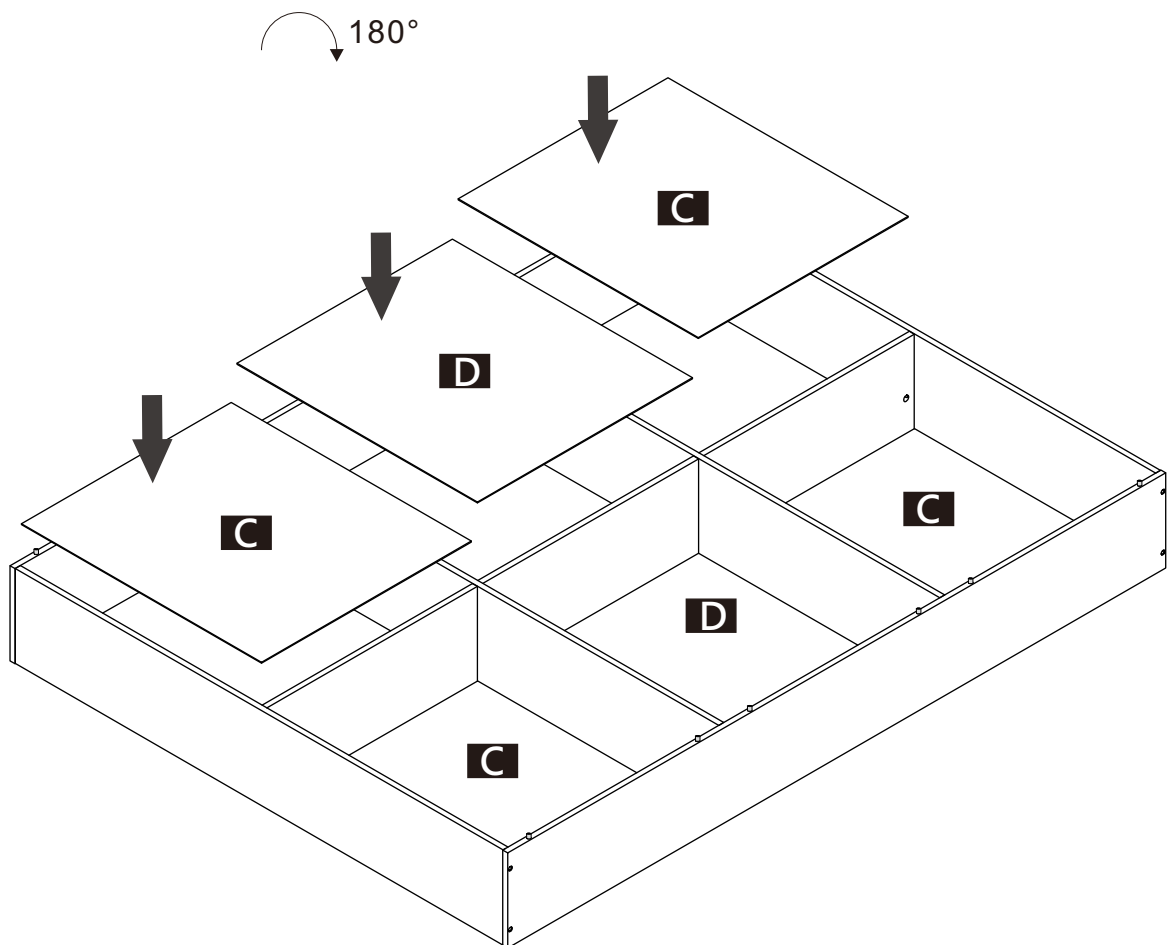
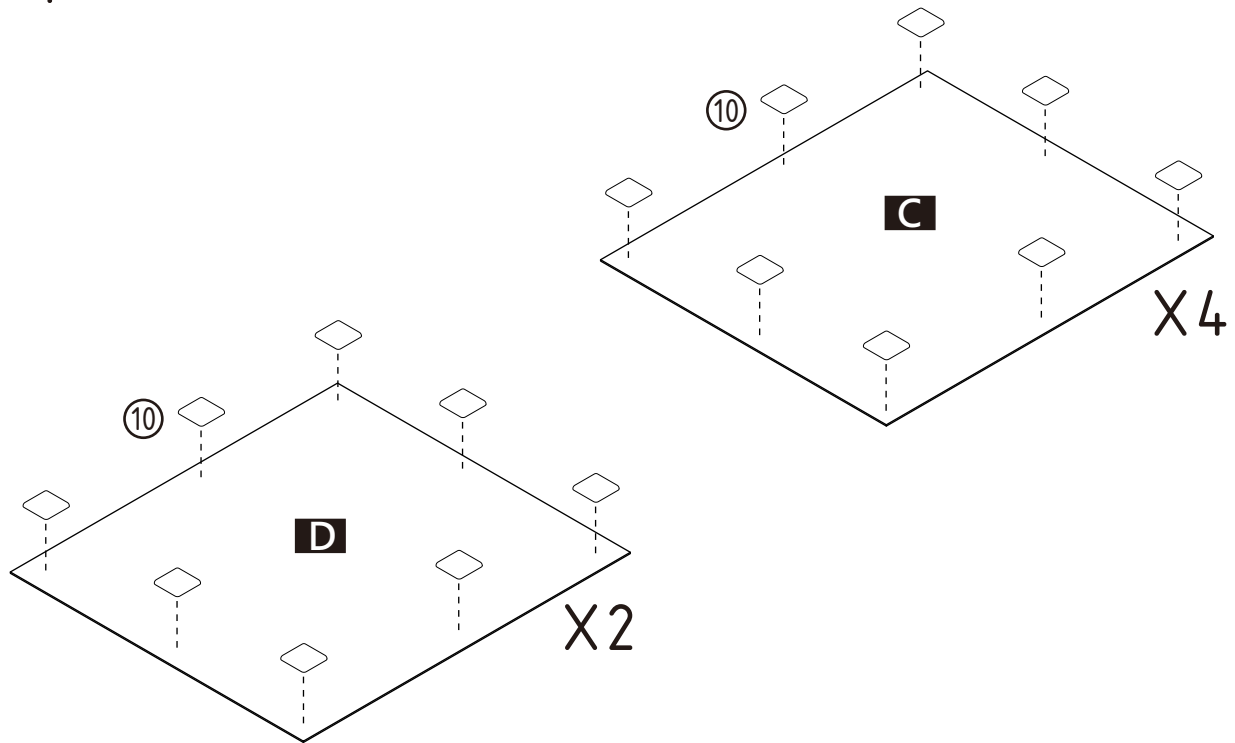
# ASSEMBLY INSTRUCTIONS

Step 5.



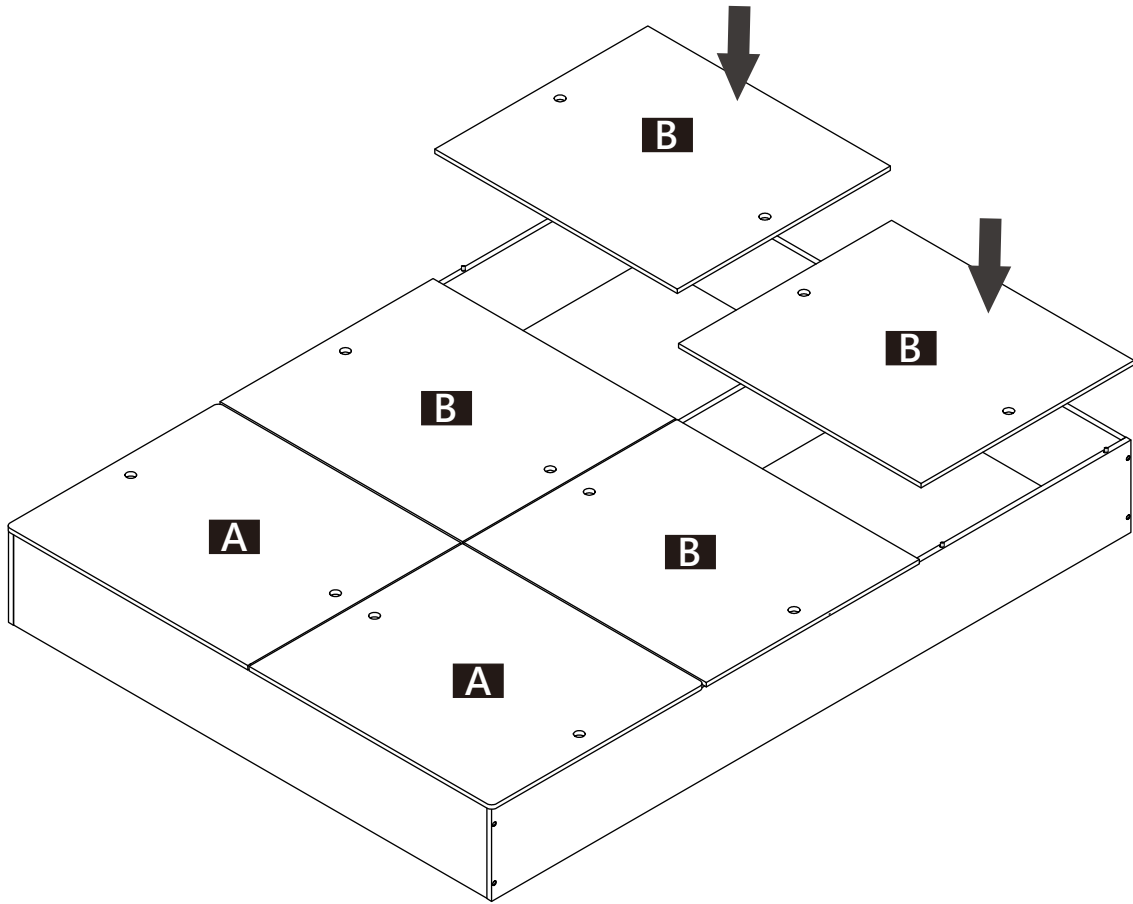
# ASSEMBLY INSTRUCTIONS

Step 6.



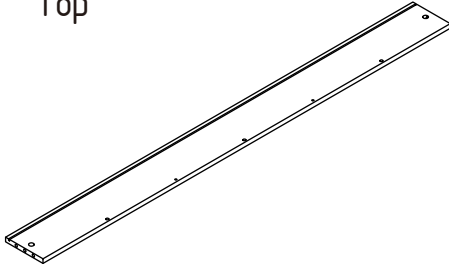
# ASSEMBLY INSTRUCTIONS

Step 7.

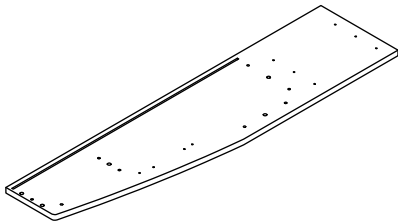


# PARTS LIST

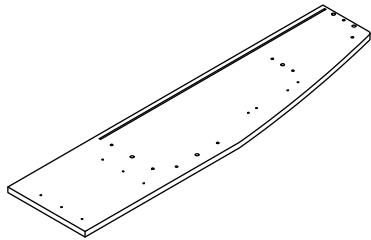
**K** X1 Top



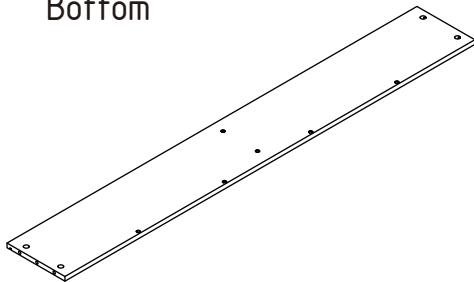
**L** X1 Left side



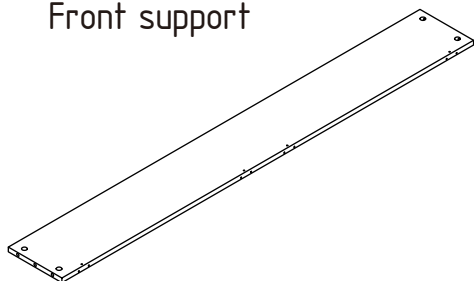
**M** X1 Right side



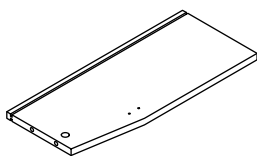
**N** X1 Bottom



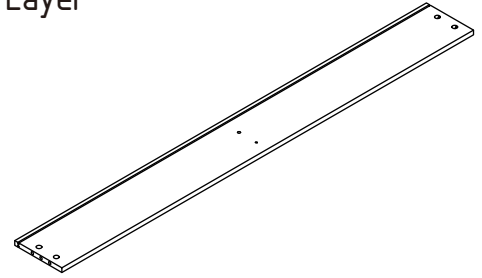
**O** X1 Front support



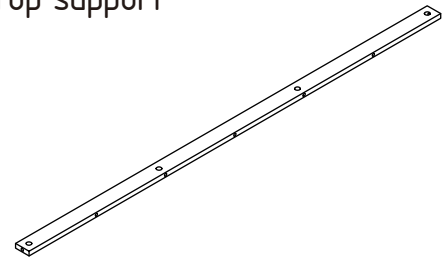
**P** X1 Middle



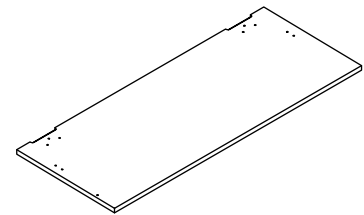
**Q** X1 Layer



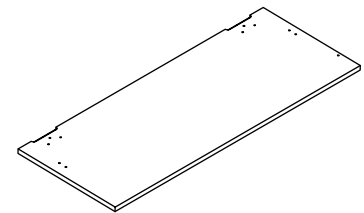
**R** X1 Top support



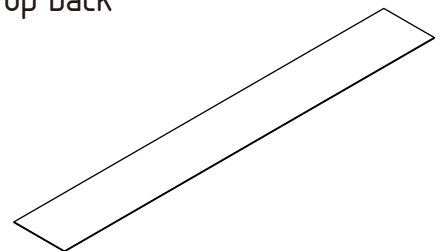
**S** X1 Left door



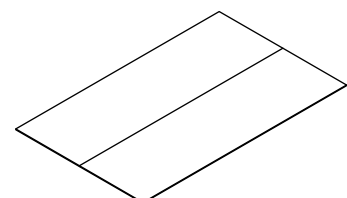
**T** X1 Right door



**U** X1 Top back



**V** X2 Bottom back



# HARDWARE LIST

⑫ X19 Cam bolt 7\*35\*12.5mm



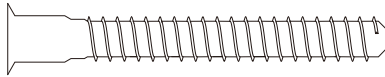
⑬ X19 Cam lock 15\*12mm



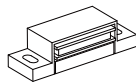
⑭ X14 Dowel 8\*30mm



⑮ X6 Coarse screw 7\*11\*50mm



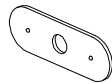
⑯ X2 Magnet



⑰ X4 Magnet screw 3\*15mm



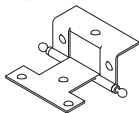
⑱ X2 Iron sheet



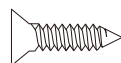
⑲ X2 Wood screw 3\*10mm



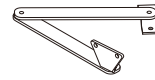
⑳ X4 Hinge



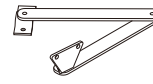
㉑ X24 Hinge screw 3\*12mm



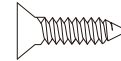
㉒ X2 Door closer (Right)



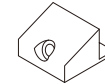
㉓ X2 Door closer (Left)



㉔ X16 Wood screw 3\*12mm



㉕ X8 Fixative plate



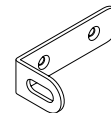
㉖ X8 Wood screw 3\*19mm



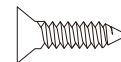
㉗ X4 Foot nail



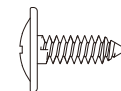
㉘ X4 L-shaped iron sheet



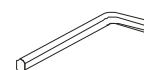
㉙ X8 Wood screw 6\*1/2"



㉚ X4 T-head screw 8#\*13mm"



㉛ X1 Allen wrench



㉜ X1 Glue

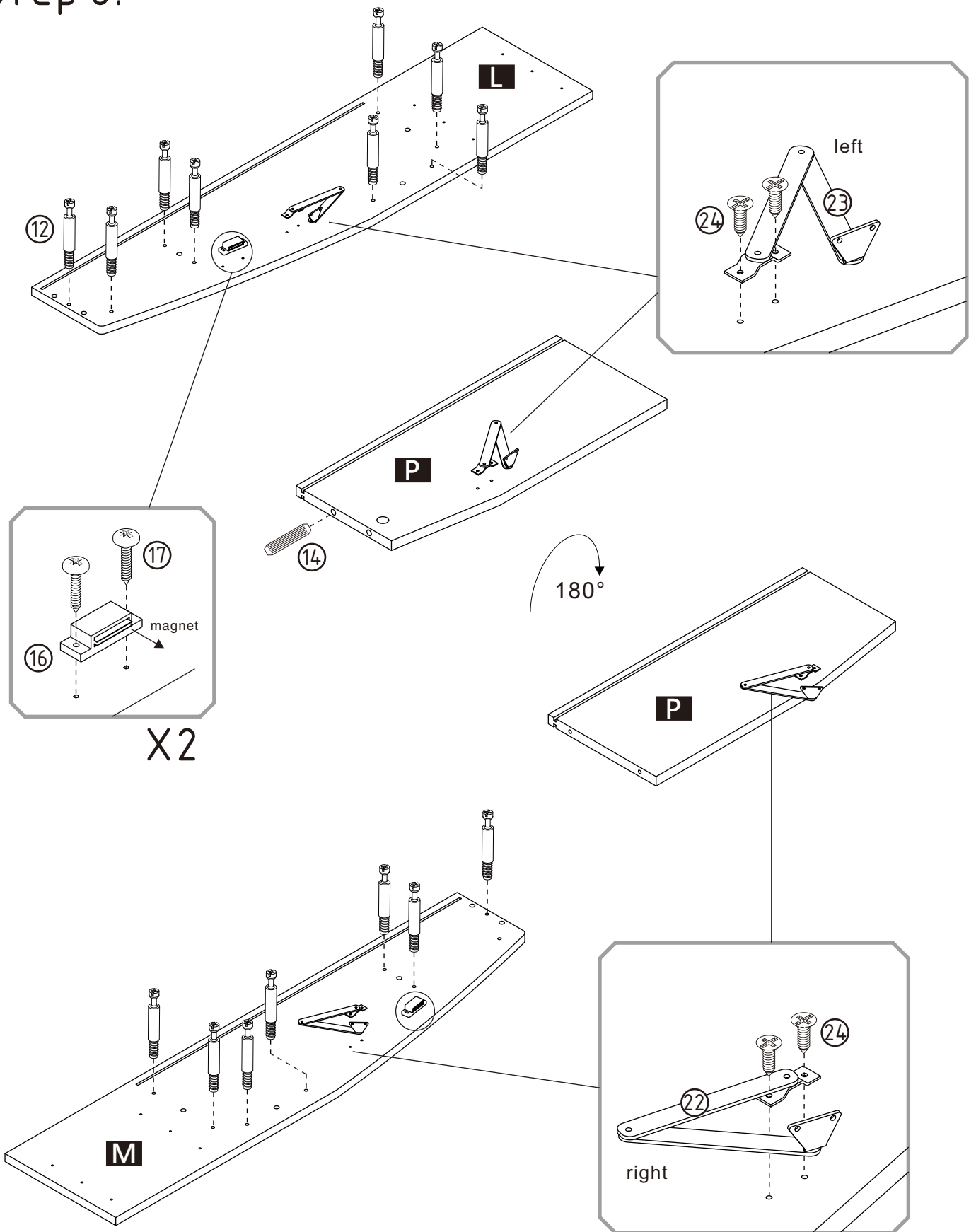


## Attention

Some number parts listed on the instruction sheet may not be in parts bag as they may already be assembled. Carefully check parts and packing materials prior to ordering replacements.

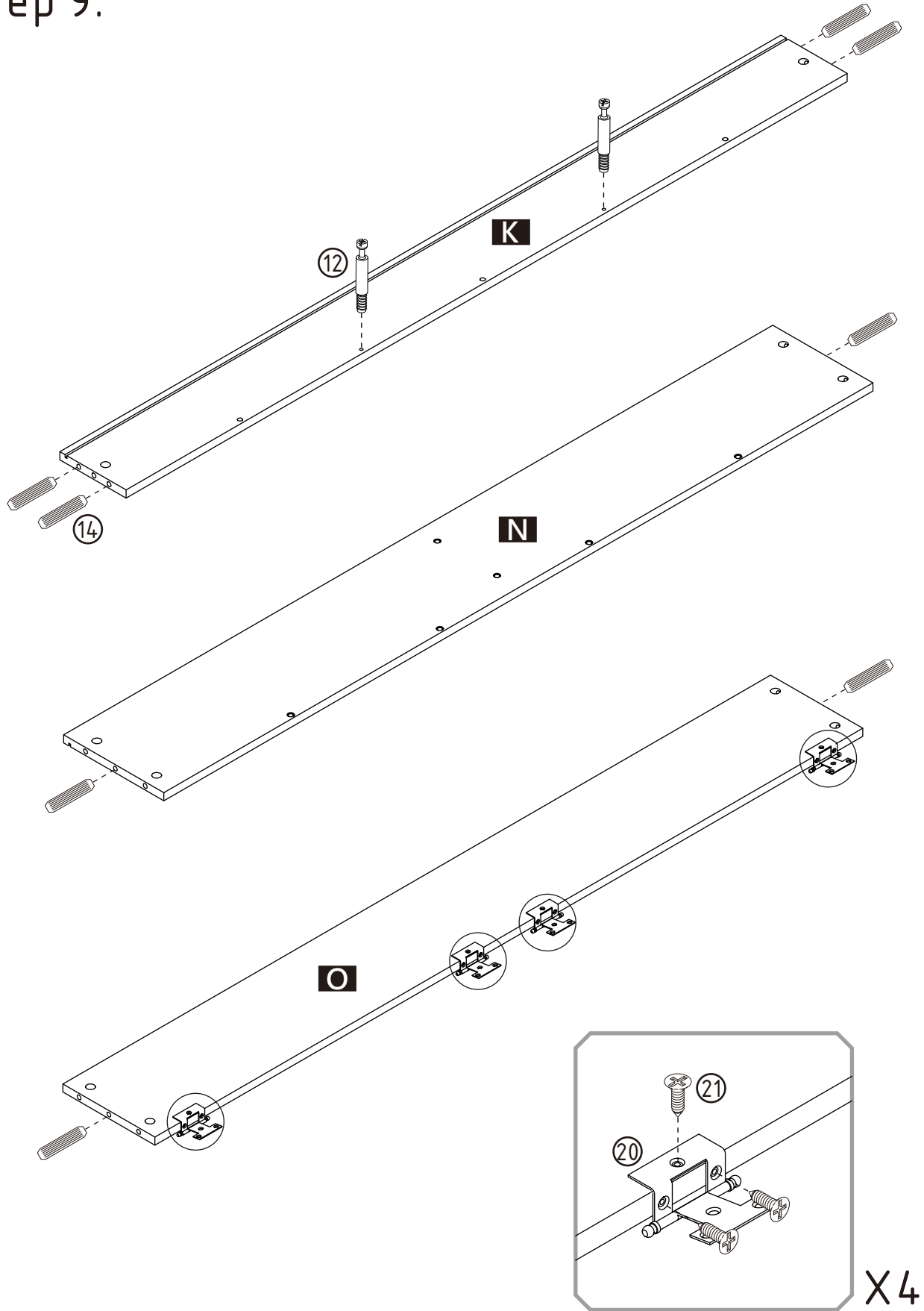
# ASSEMBLY INSTRUCTIONS

Step 8.



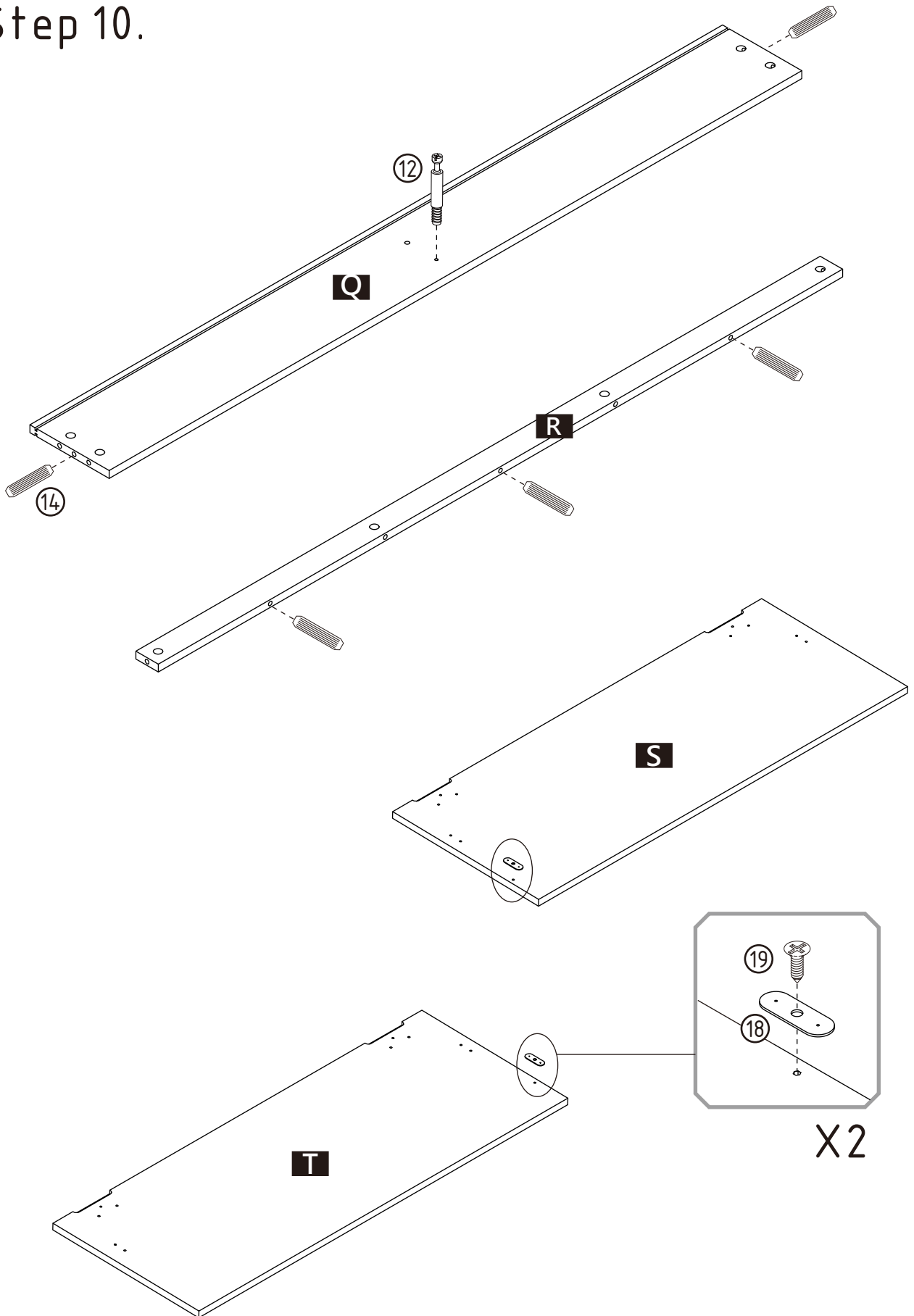
# ASSEMBLY INSTRUCTIONS

Step 9.



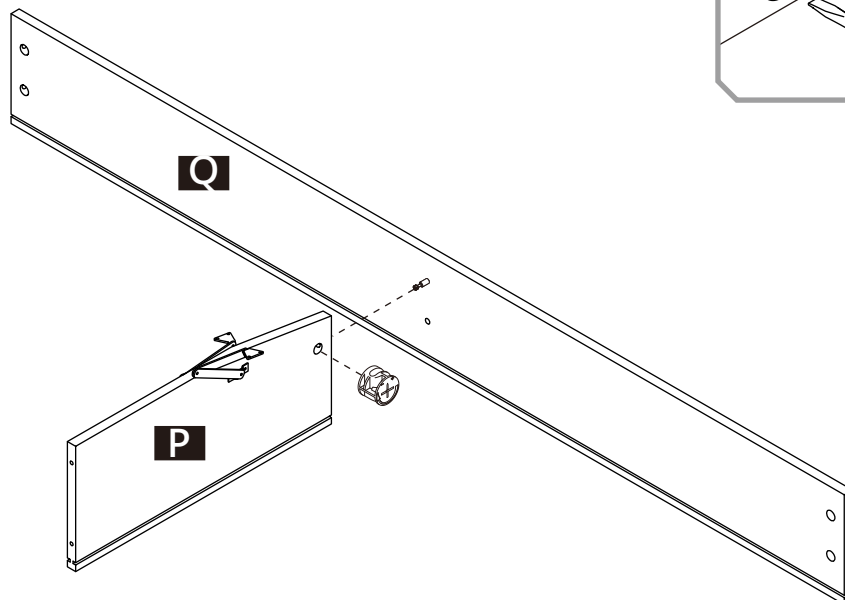
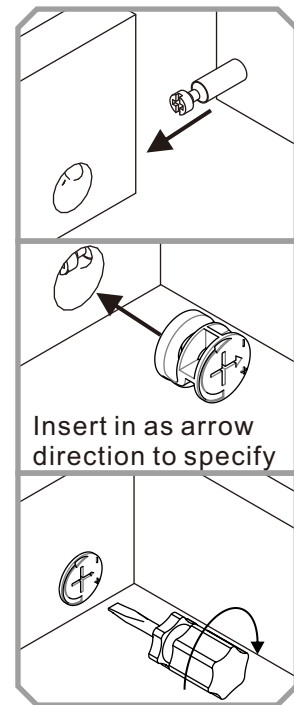
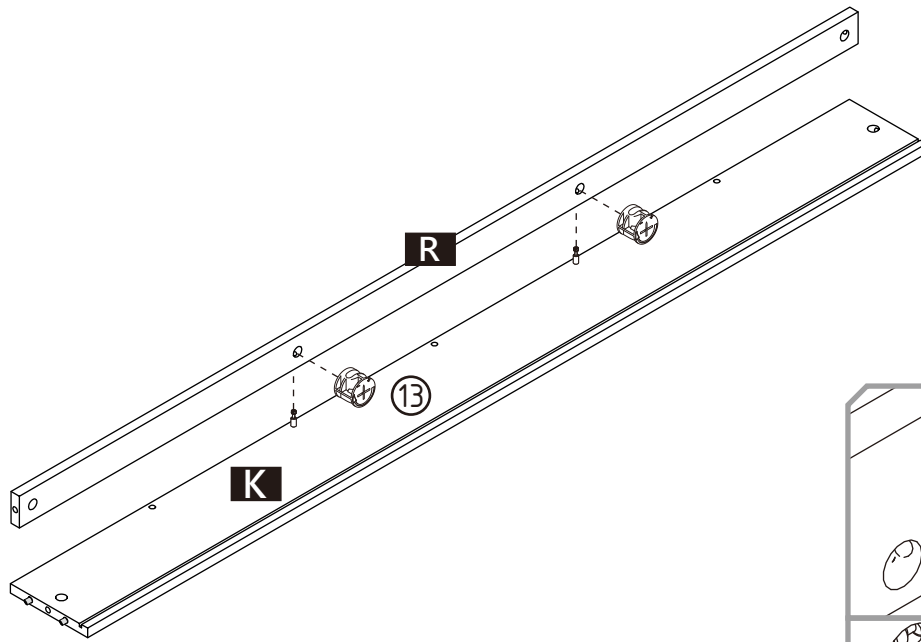
# ASSEMBLY INSTRUCTIONS

Step 10.



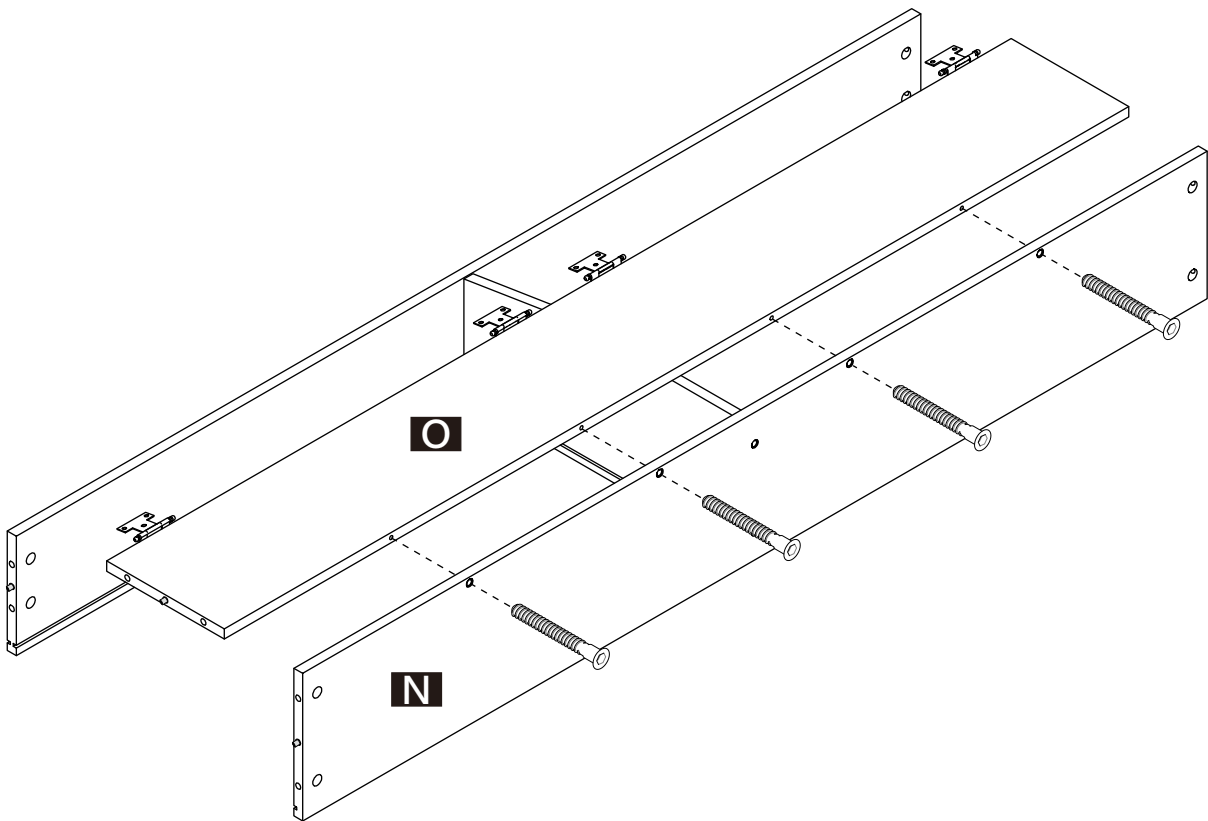
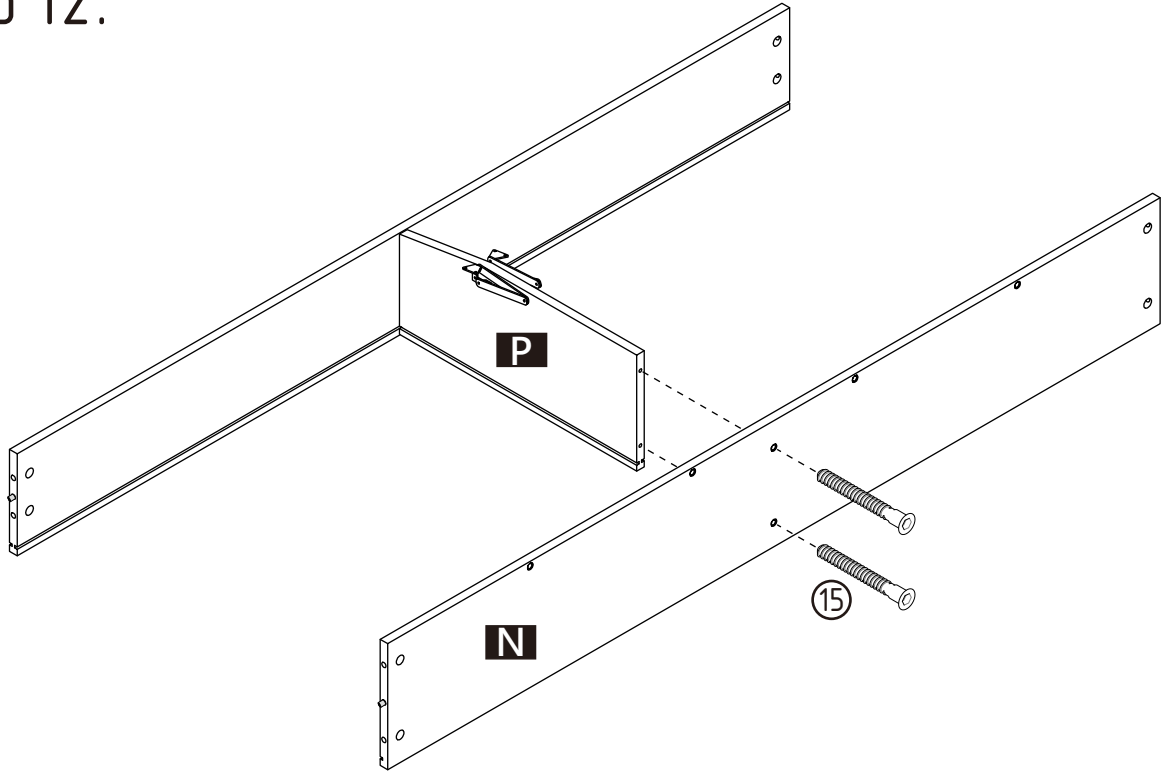
# ASSEMBLY INSTRUCTIONS

Step 11.



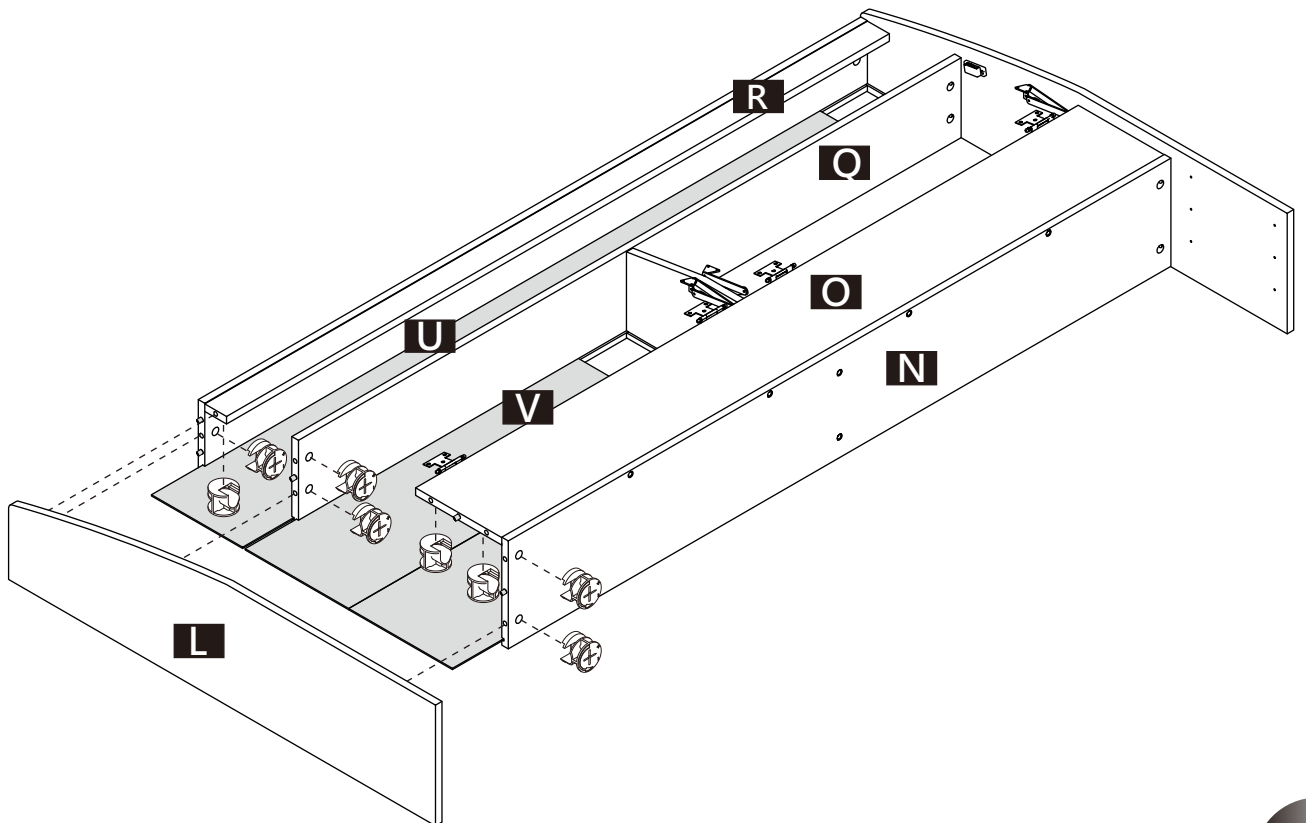
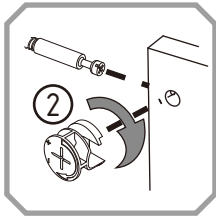
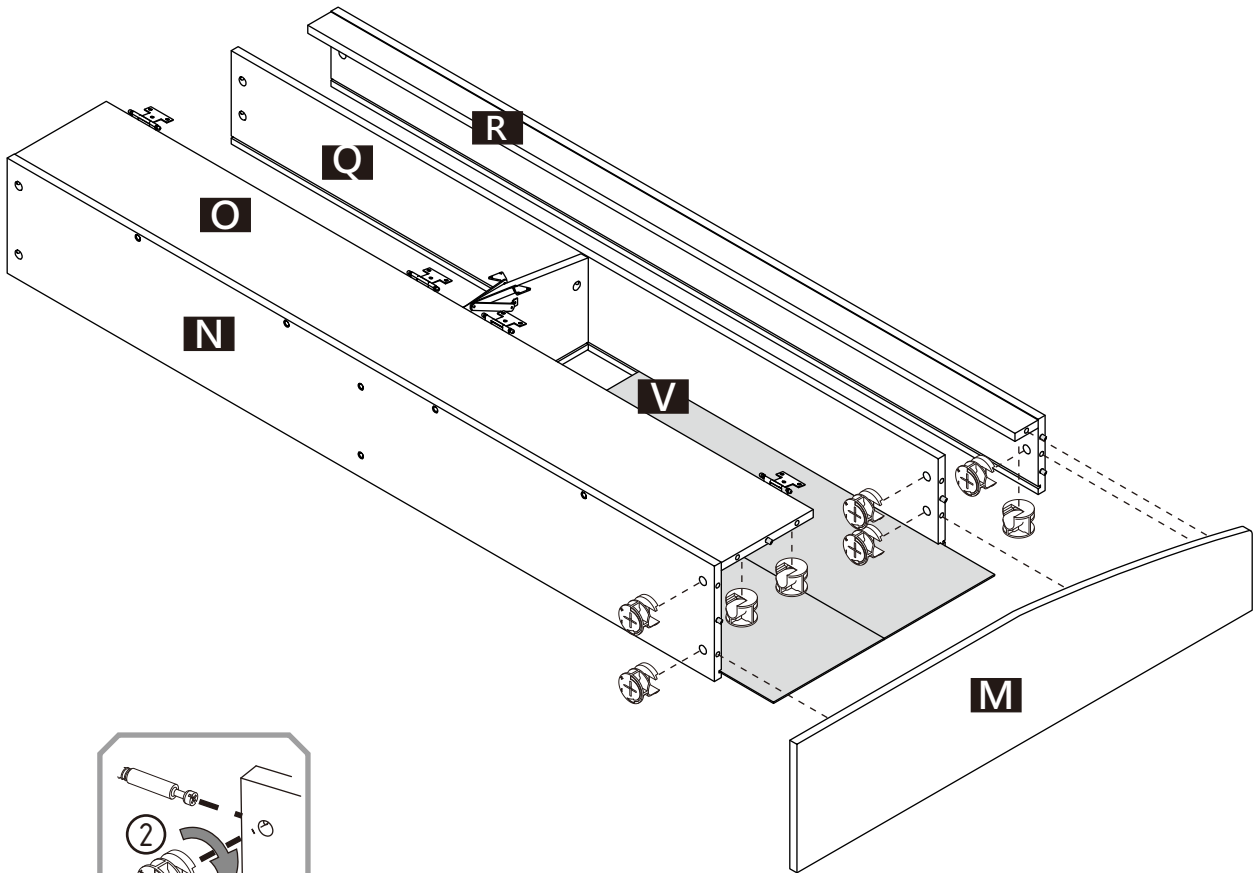
# ASSEMBLY INSTRUCTIONS

Step 12.



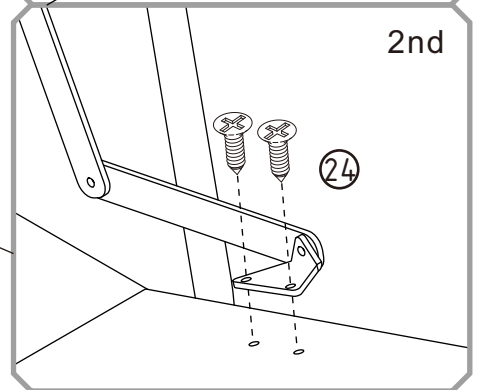
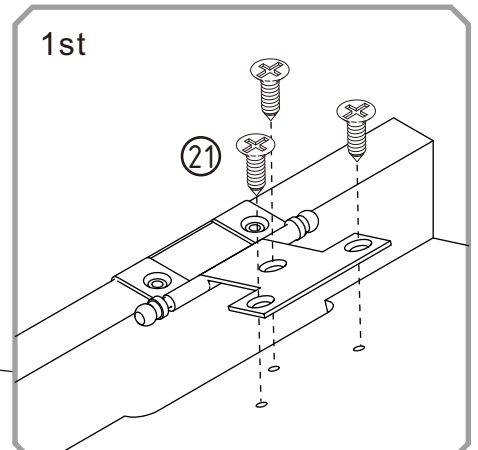
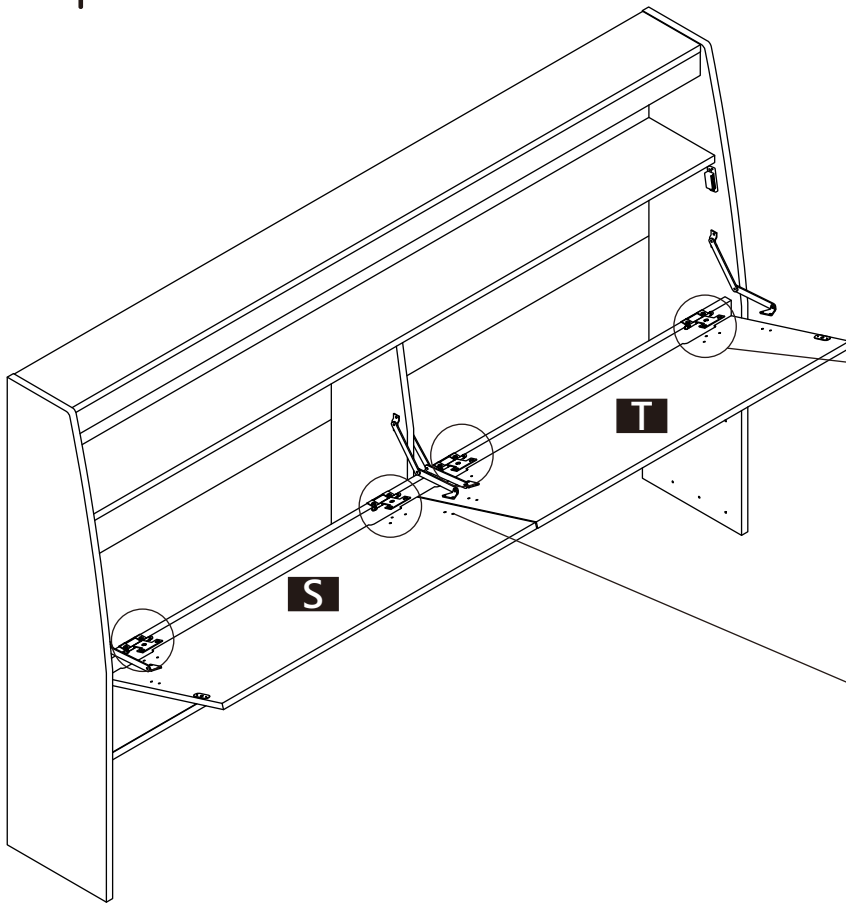
# ASSEMBLY INSTRUCTIONS

Step 13.

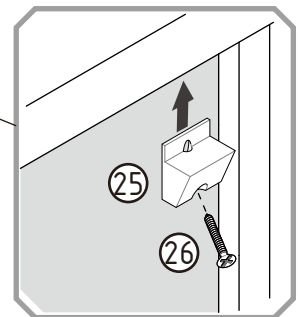
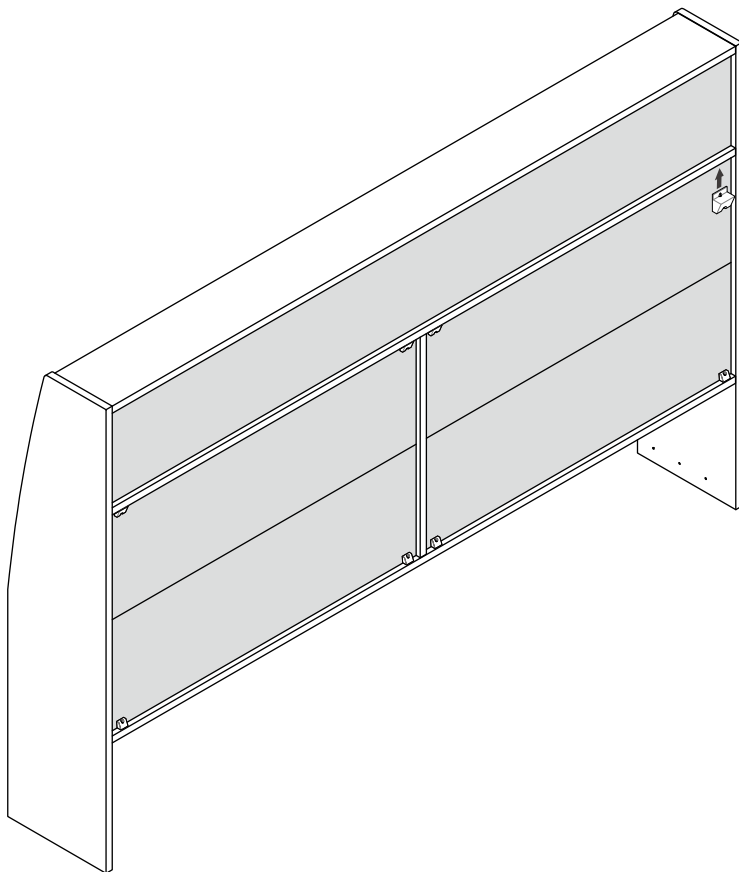


# ASSEMBLY INSTRUCTIONS

Step 14.



X4



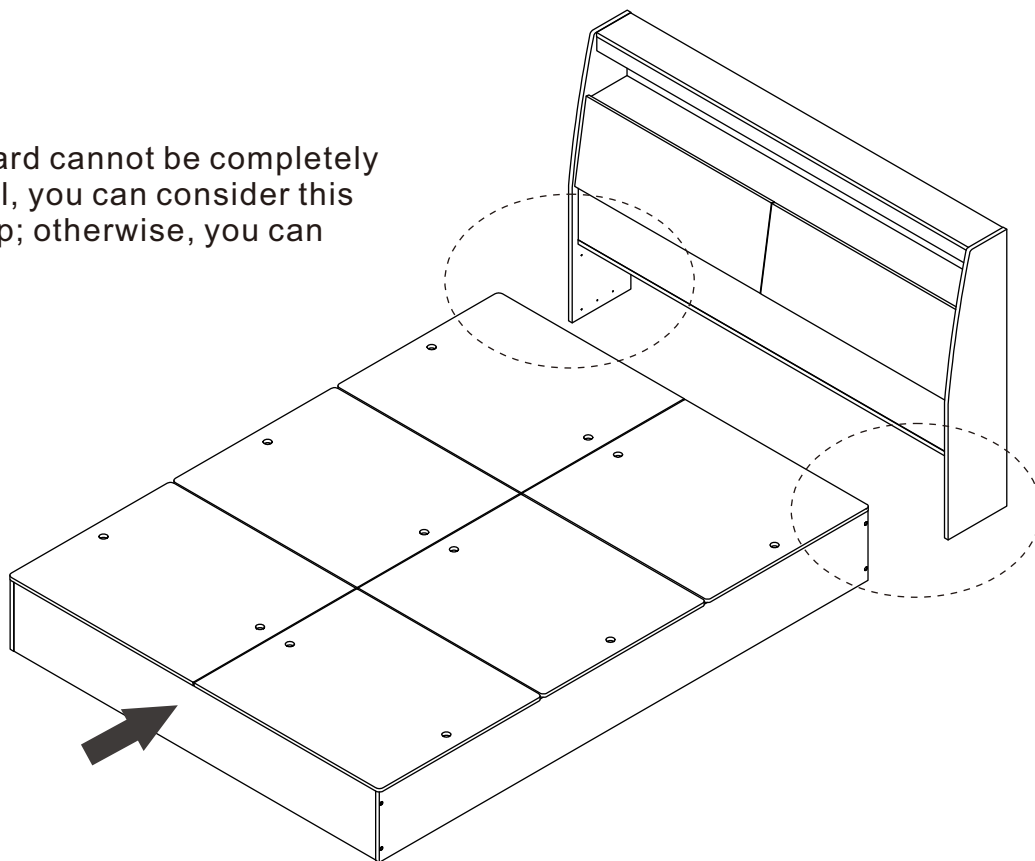
X8

# ASSEMBLY INSTRUCTIONS

## Step 15.

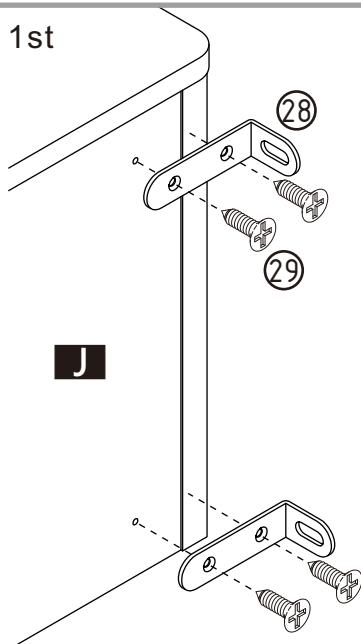
### Option:

If your headboard cannot be completely against the wall, you can consider this installation step; otherwise, you can skip this step.

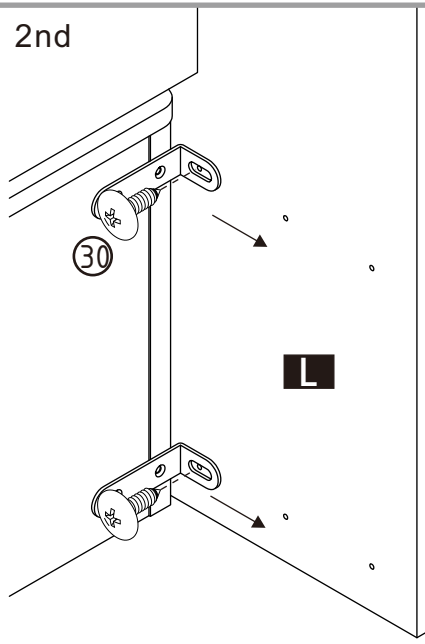


Lock the parts (28) on the bed frame first, and then choose a suitable hole to fix the headboard after placing the mattress.

1st



2nd



## ASSEMBLY IS COMPLETED.

Make sure the product is rested on a flat surface and does not feel loose or wobbly. If it does, double check that the bolts/screws are secured and properly tightened.

# ASSEMBLY INSTRUCTIONS

## FOOT NAIL

If your floor is not carpeted or uneven, please refer to the pre-prepared page instructions before installation.

