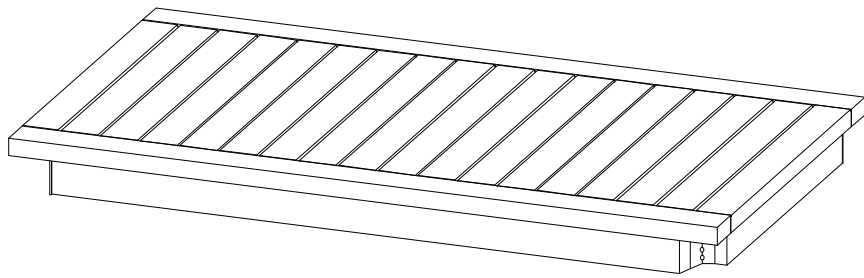
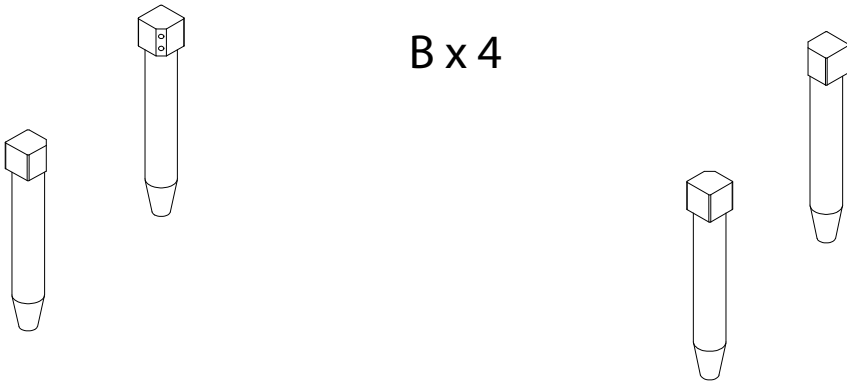


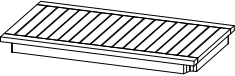

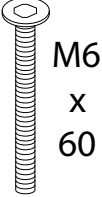
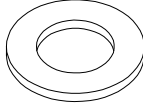

A

A

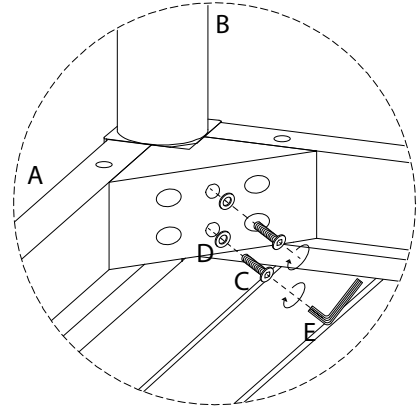
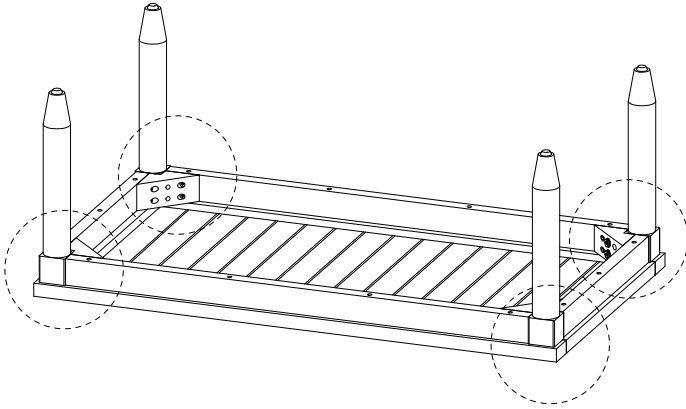
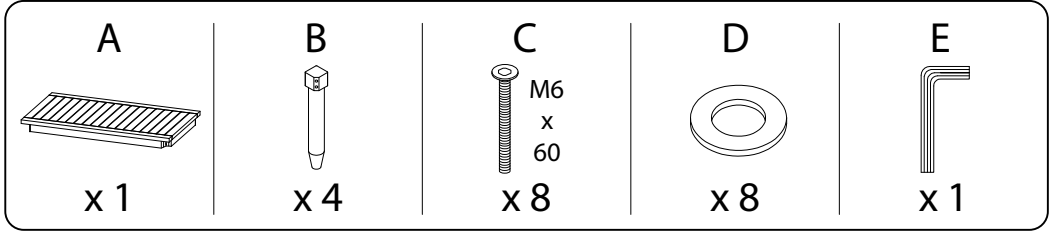


B x 4



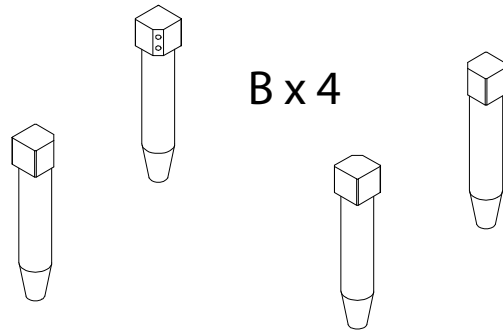
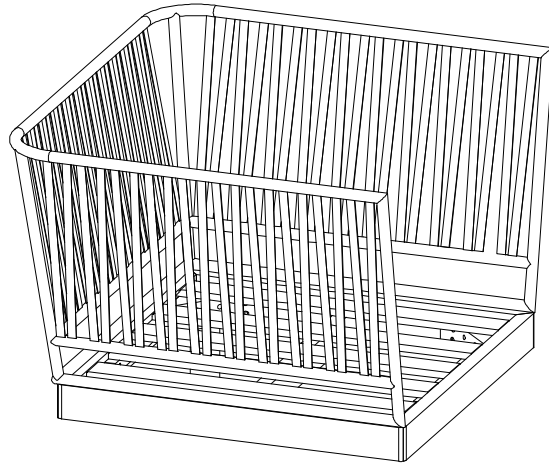
A	B	C	D	E
		 <p>M6 x 60</p>		
x 1	x 4	x 8	x 8	x 1

1



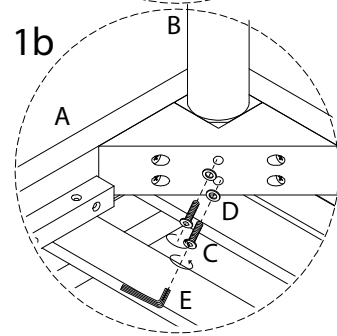
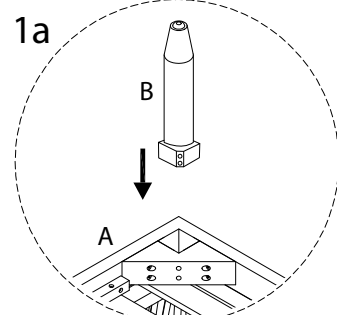
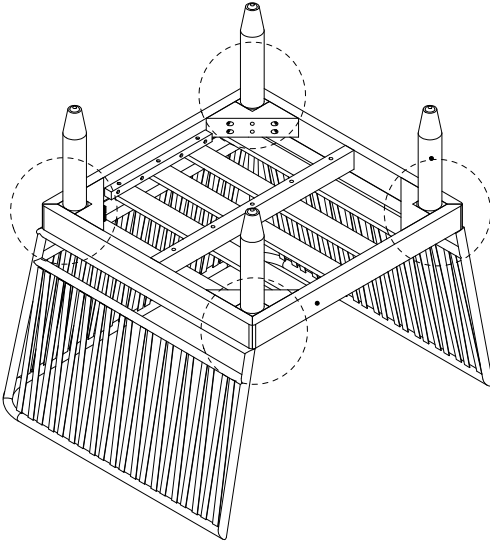
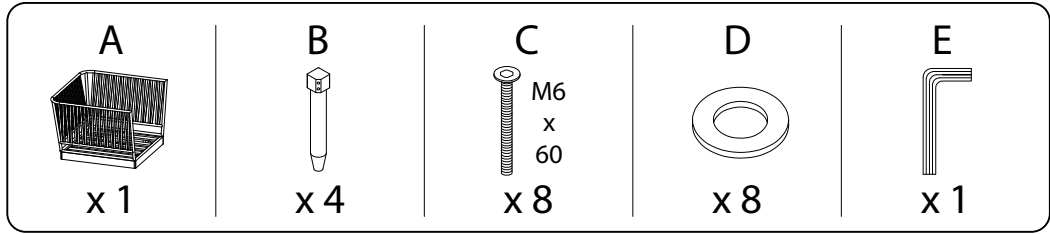
**B**

**A**



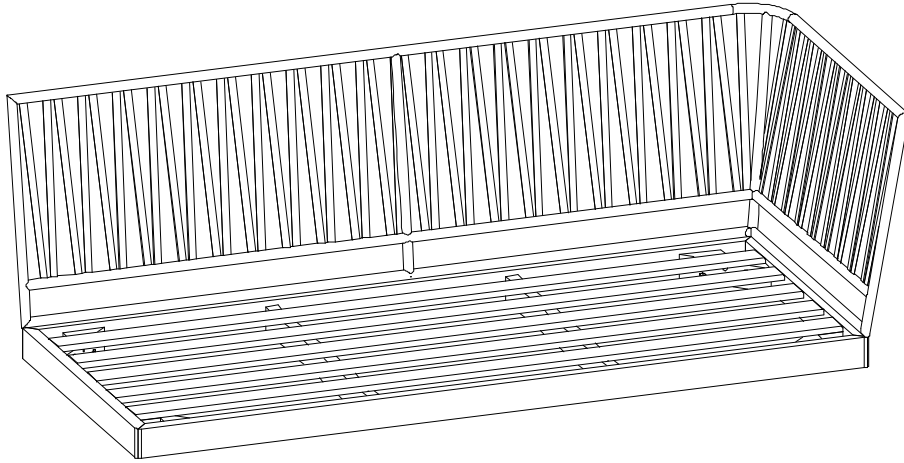
<b>A</b>	<b>B</b>	<b>C</b>	<b>D</b>	<b>E</b>
<b>x 1</b>	<b>x 4</b>	<b>M6 x 60 x 8</b>	<b>x 8</b>	<b>x 1</b>

1



C

A

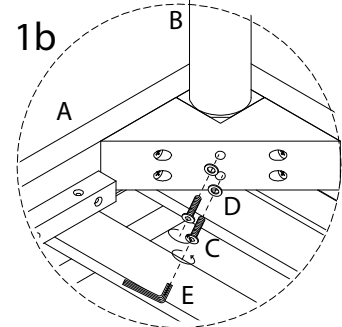
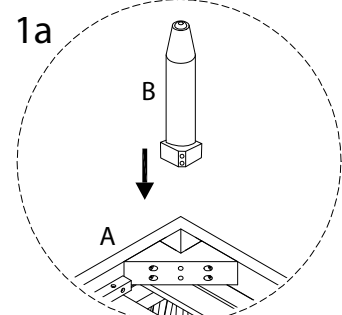
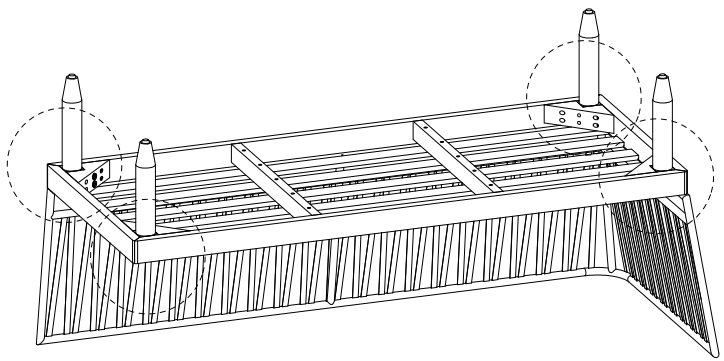
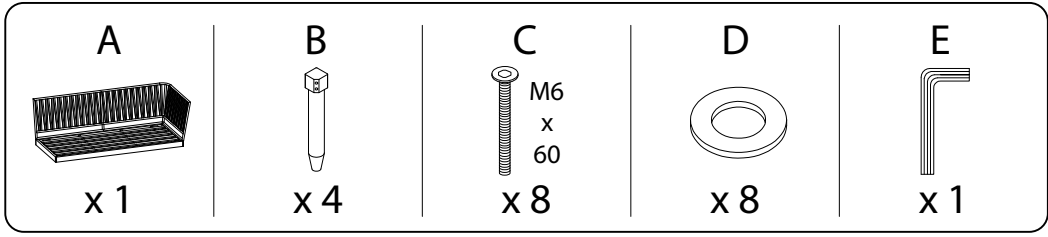


B x 4



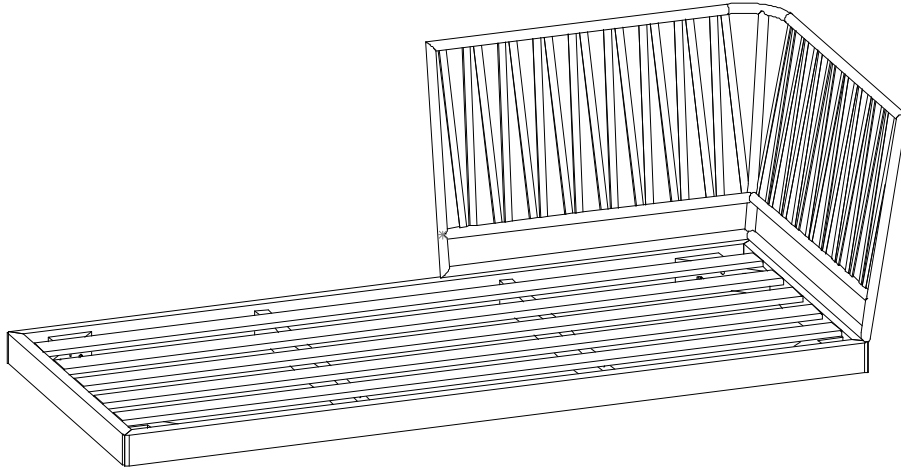
A	B	C	D	E
x 1	x 4	x 8	x 8	x 1

1

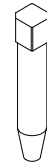


D

A

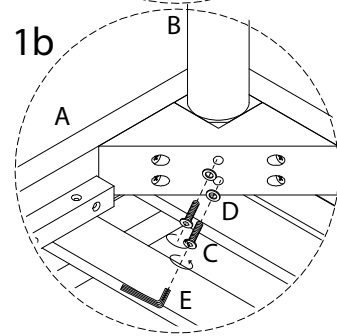
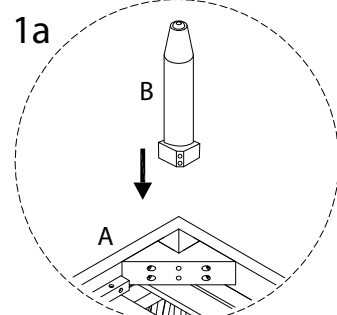
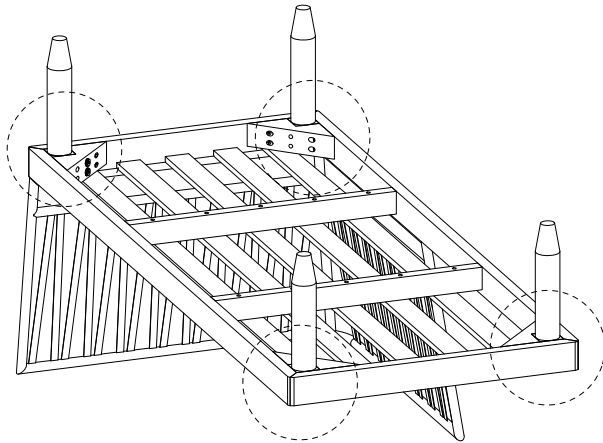
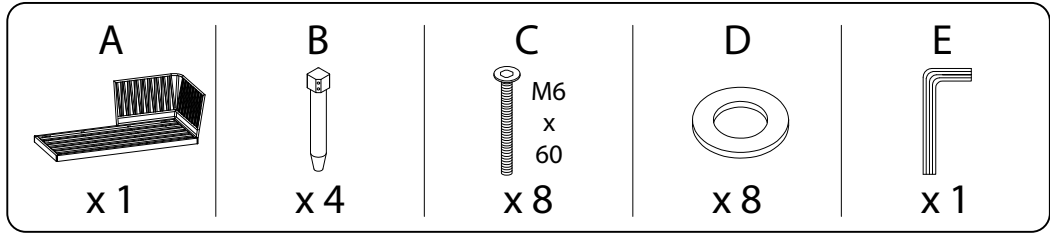


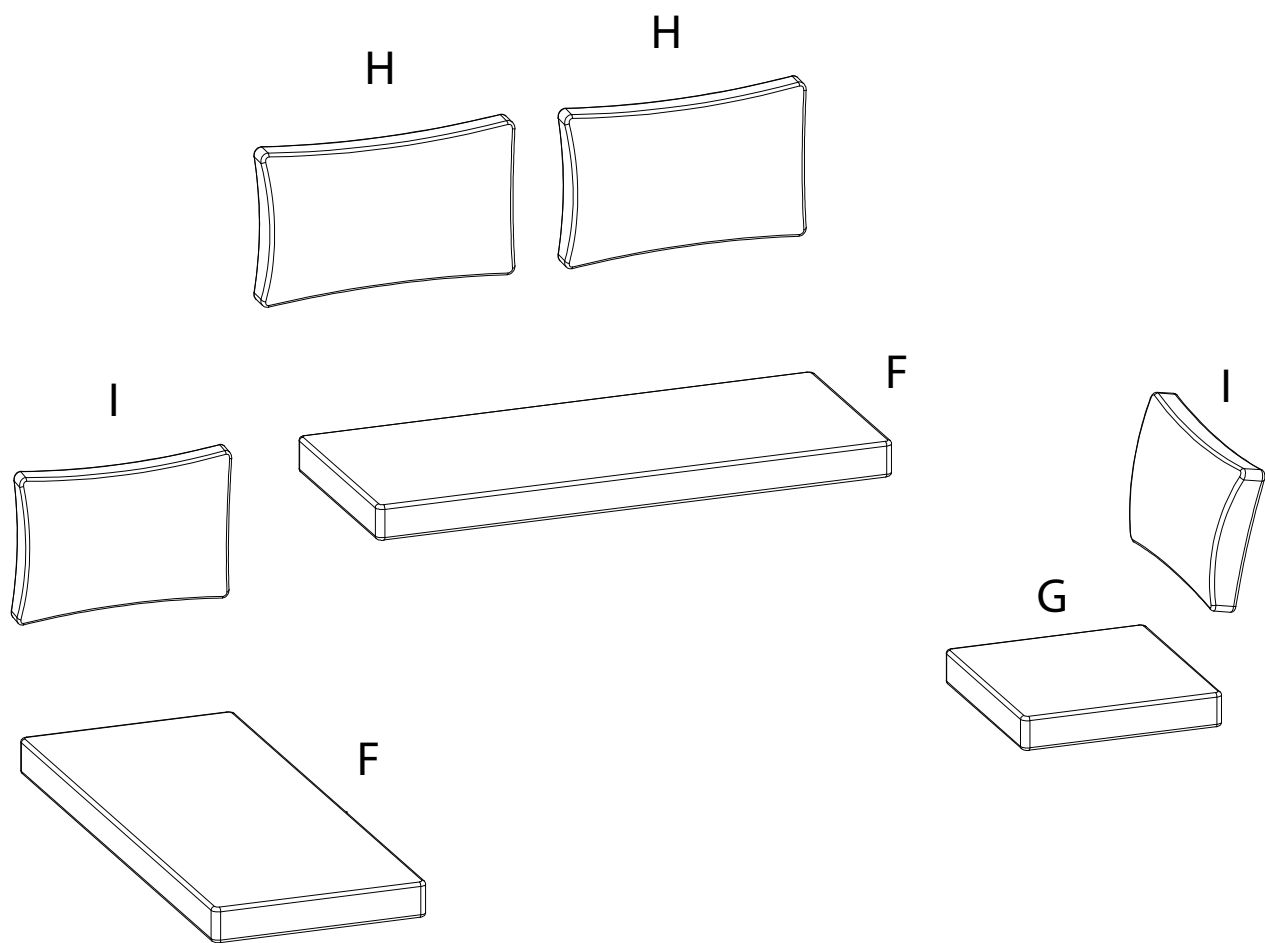
B x 4



A	B	C	D	E
x 1	x 4	x 8	x 8	x 1

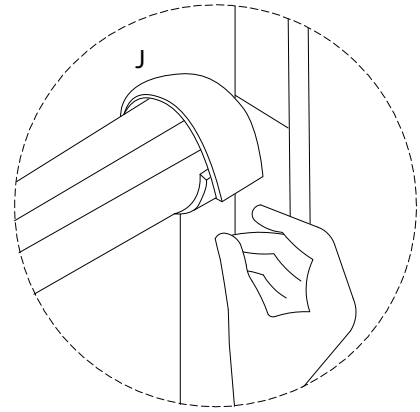
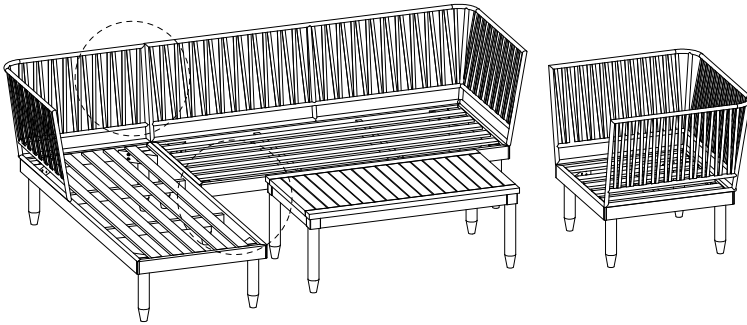
1





F	G	H	I	J
x2	x1	x2	x2	x2

1



2

