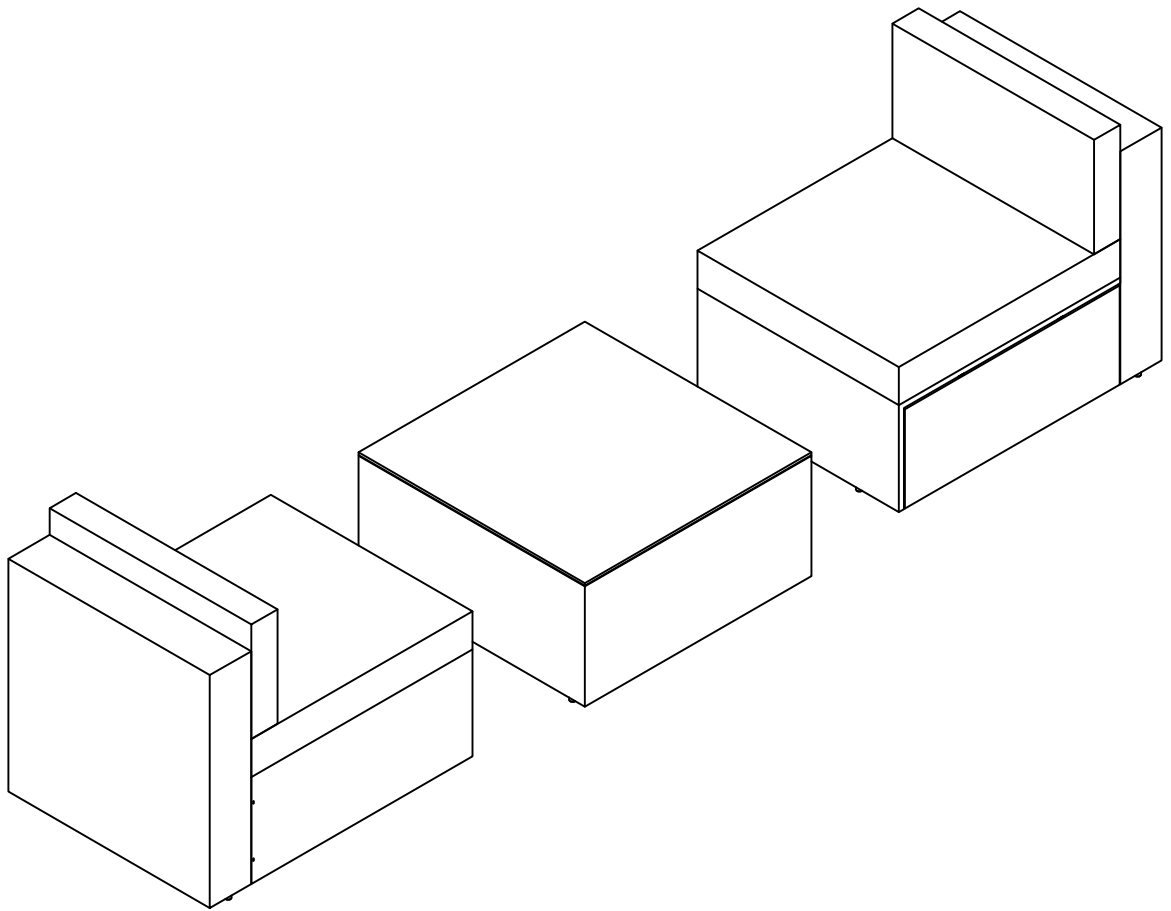


2802-1

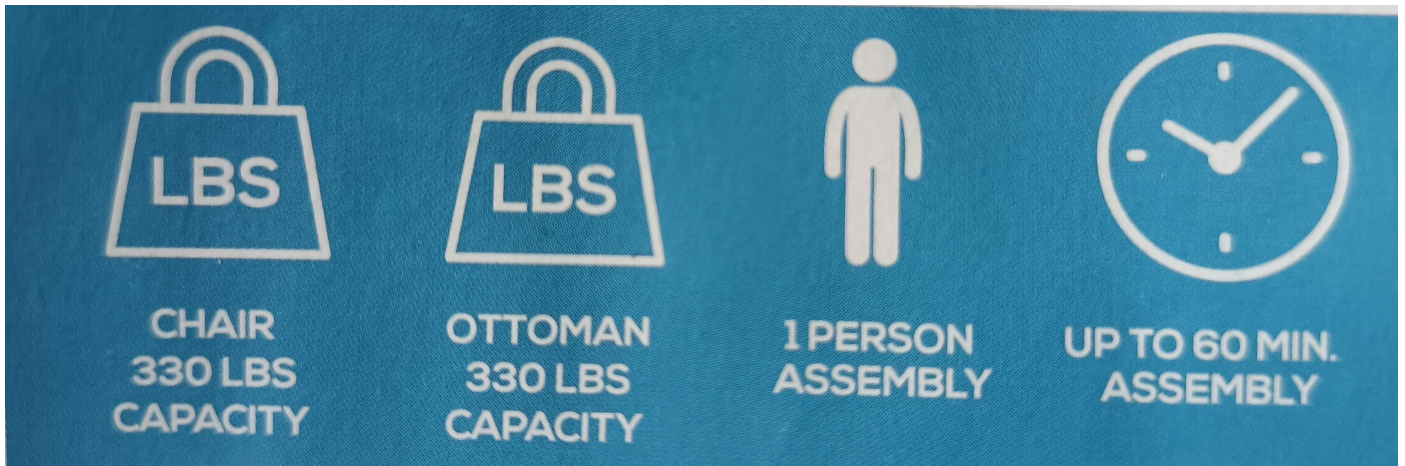
INSTRUCTION MANUAL



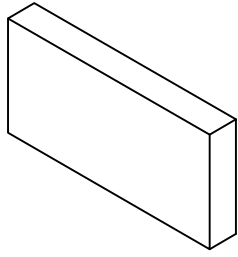
NOTICE

Do not overtighten screws.(Insert all screws before tighten screws.)

- Please do not exceed the weight limitations of this item.
- Do not stand on or use any part of this item as a step ladder.
- Firmly secure all bolts, screws and nuts before use.
- Reconfirm that all bolts, screws, and nuts are secure every 90 days.
- Do not use or store this item in the proximity of open flame or flammable/combustible chemicals.
- Be aware that some parts are heavy and have sharp edges.

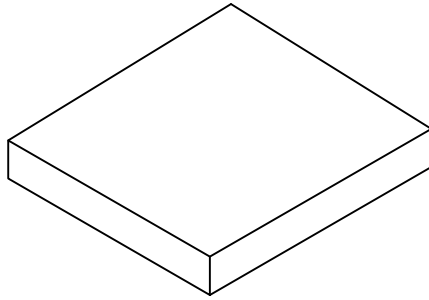


A **BACK CUSHION**



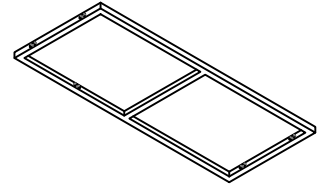
2PCS

B **SEAT CUSHION**



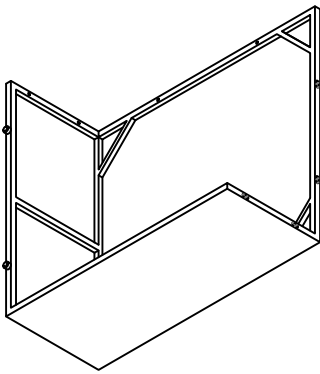
2PCS

G **SEAT SIDE PANEL**



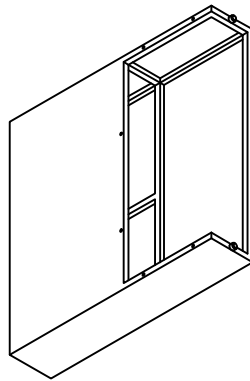
2PCS

F **CHAIR SEAT**



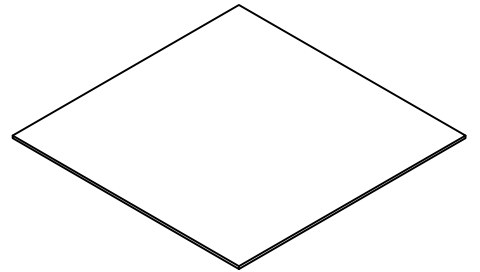
2PCS

E **CHAIR BACKREST**



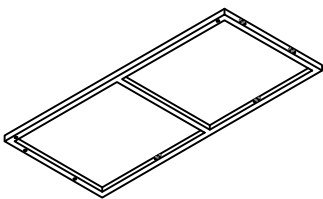
2PCS

U **GLASS TOP**



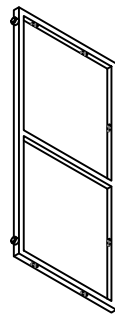
1PCS

Q **TABLE SIDE PANEL**



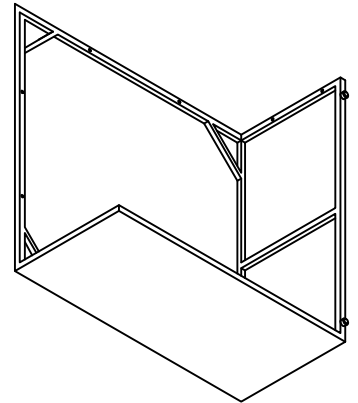
1PCS

P **TABLE FRONT PANEL**



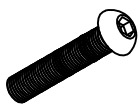
1PCS

N **TABLE TOP**



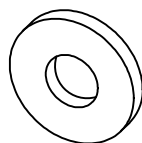
1PCS

V **M6*35mm BOLT**



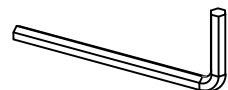
30PCS

W **M6 WASHER**



30PCS

Y **ALLEN WRENCH**



1PCS

1

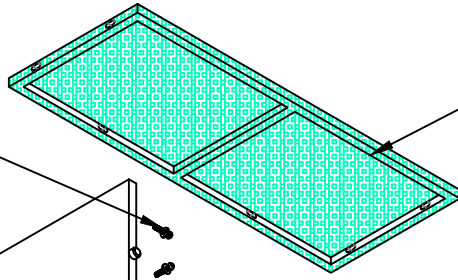
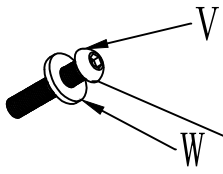
Vx20



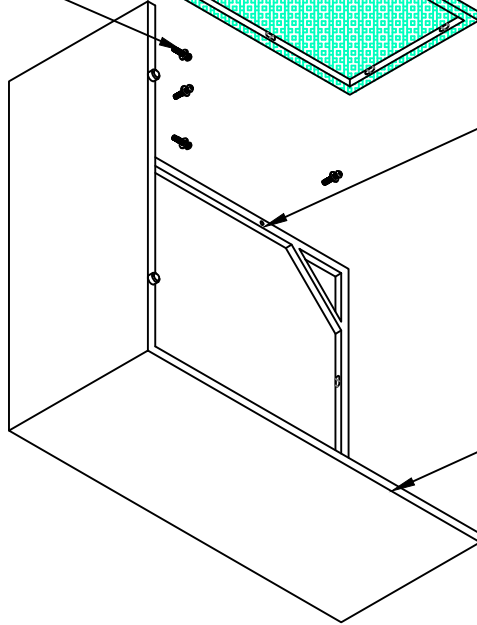
Wx20



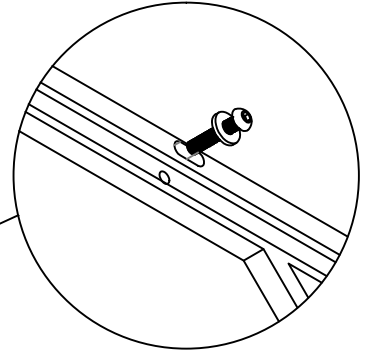
Y



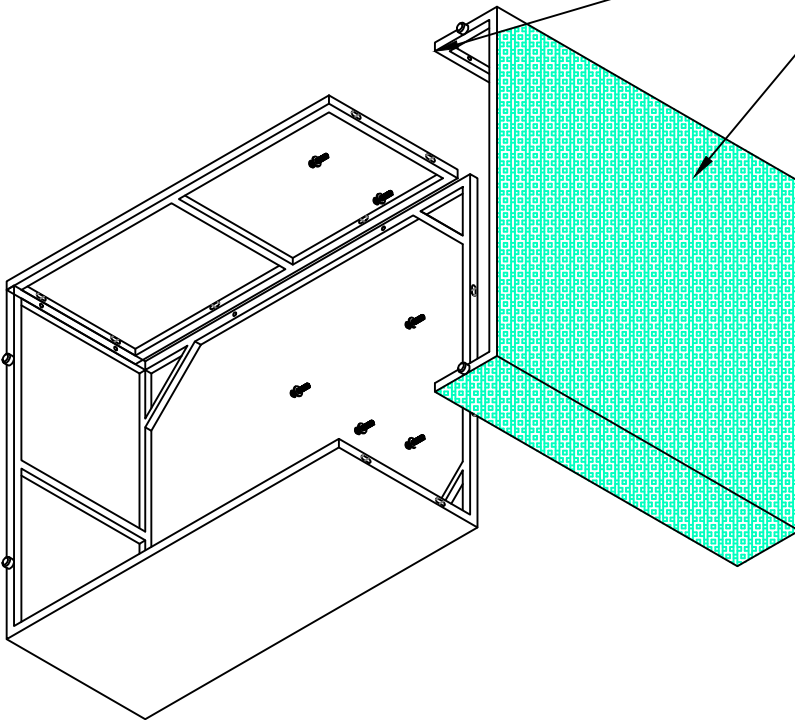
G



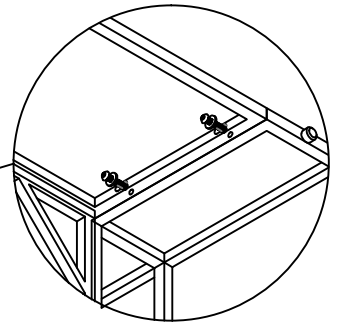
F



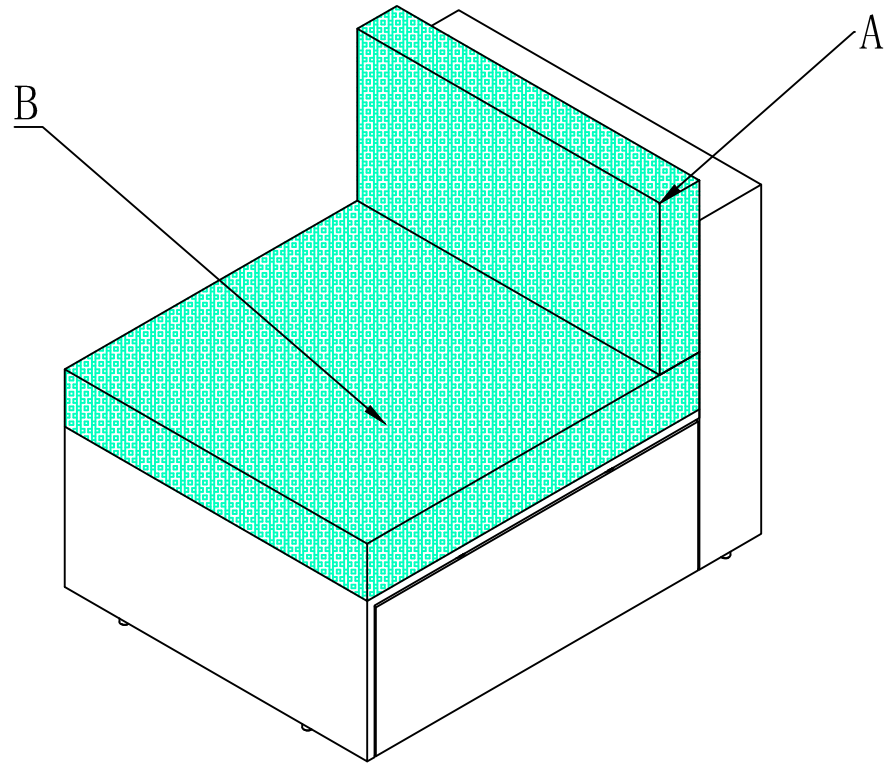
2






E

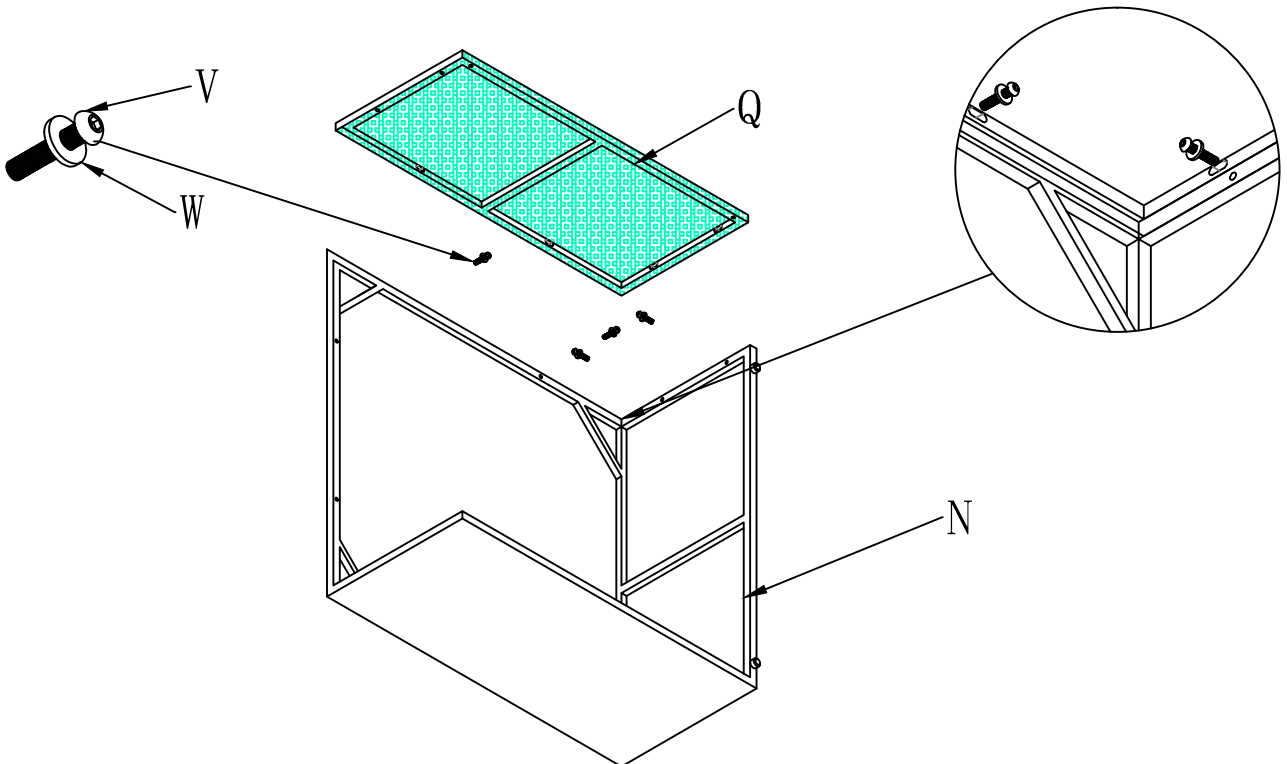


3

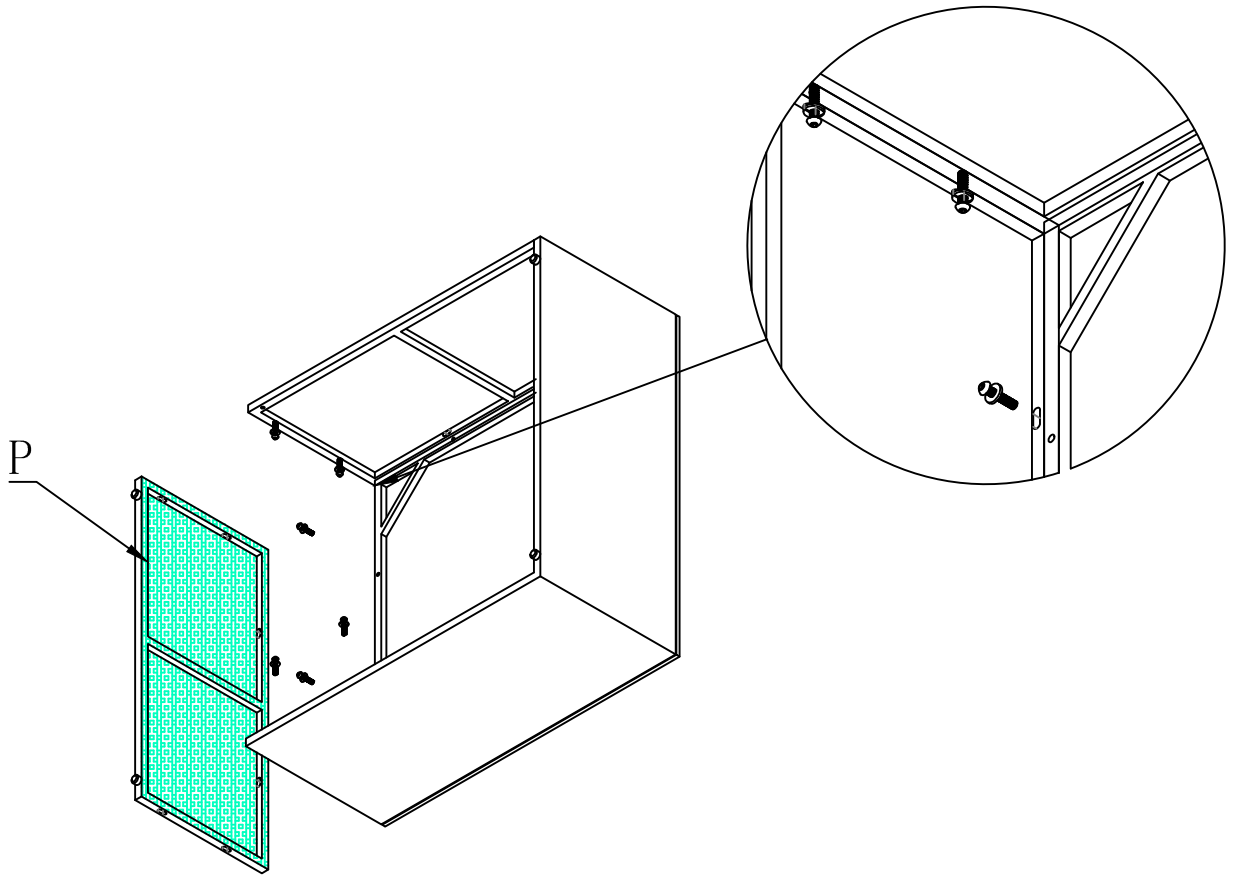


1

Vx10 	Wx10 	Y 	
---	---	--	--



2



3

