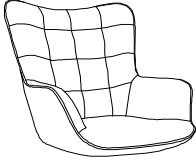
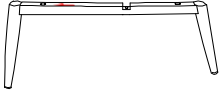
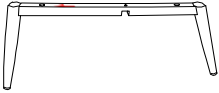
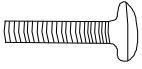
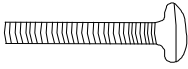
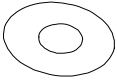

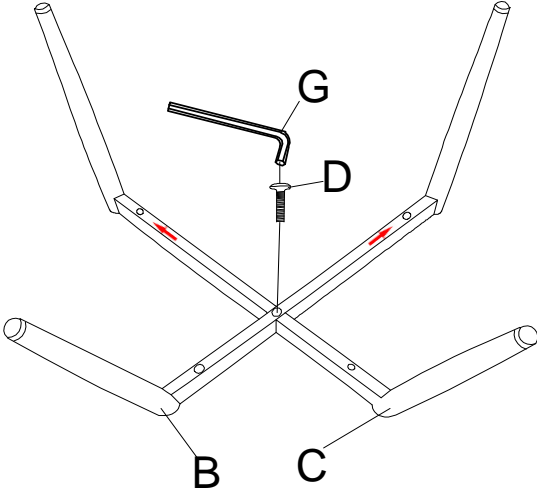
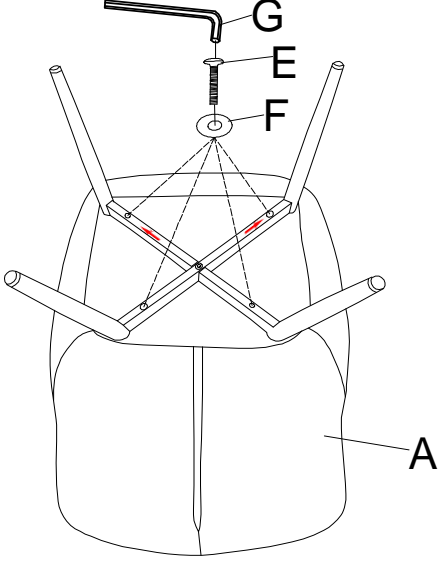


ASSEMBLY INSTRUCTION

<< Before assembling, read all the instruction >>

Ax 1 	Bx 1 	Cx 1 	Dx 1 
Ex 4 	Fx 4 	Gx 1 	
1 	2 		
3 