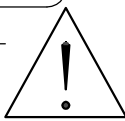
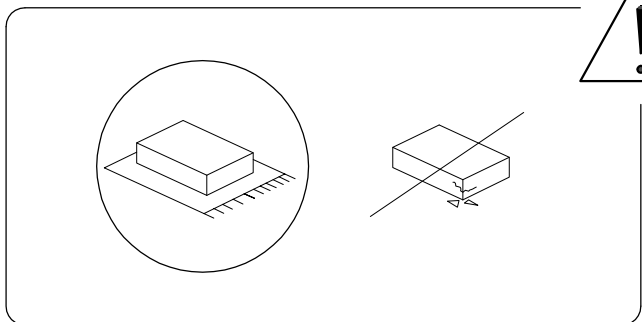
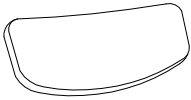

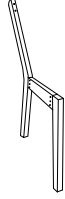
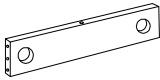
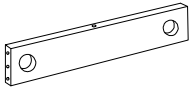


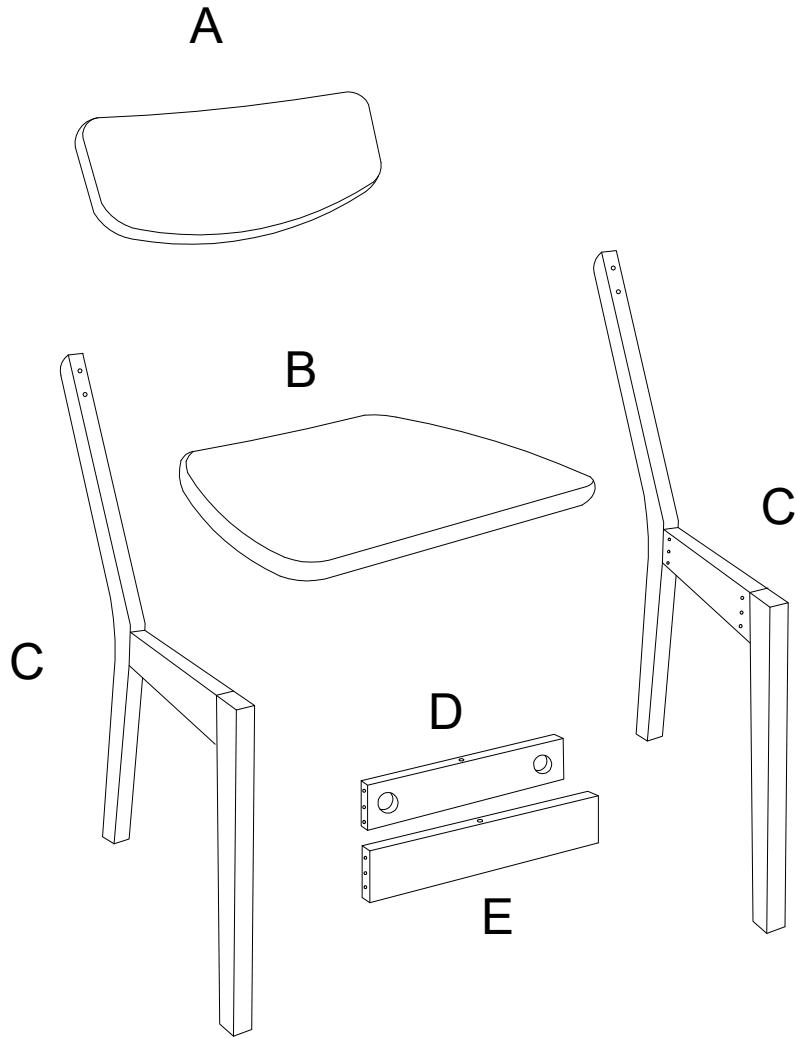
30'

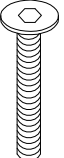
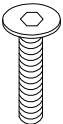
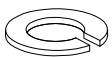
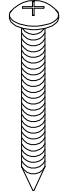
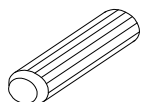

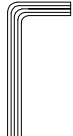


1

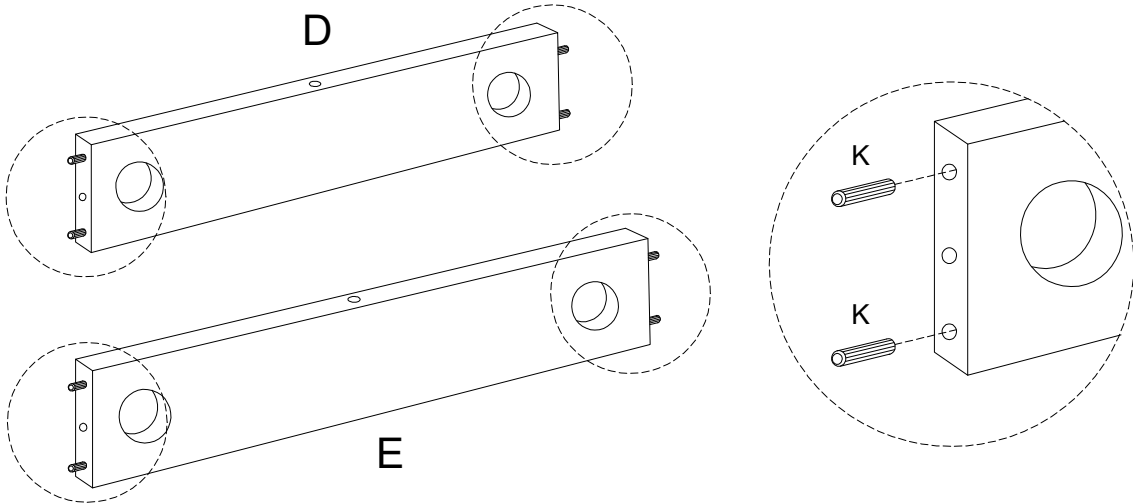
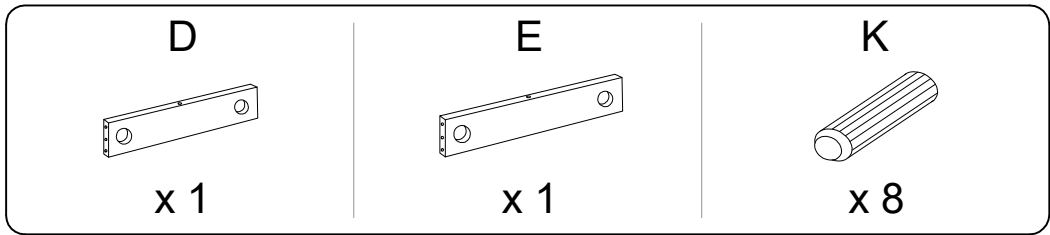
1/5

A	B	C	D	E
				
x 1	x 1	x 2	x 1	x 1

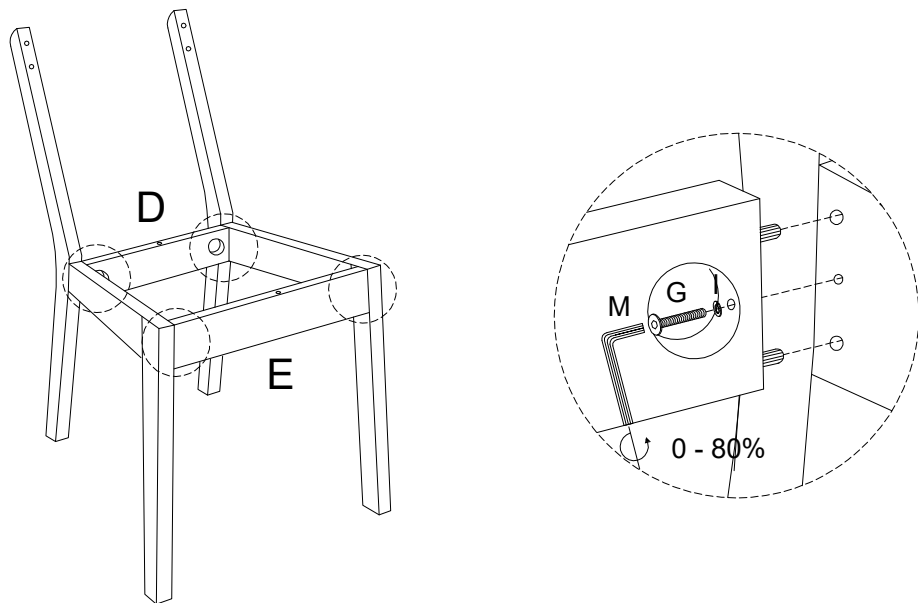
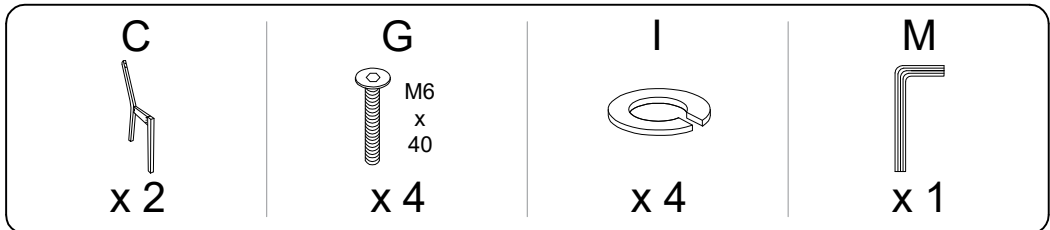


G	H	I	J	K	L	M
						
x 4	x 4	x 8	x 6	x 8	x 4	x 1

1



2



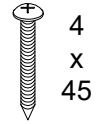
3

B



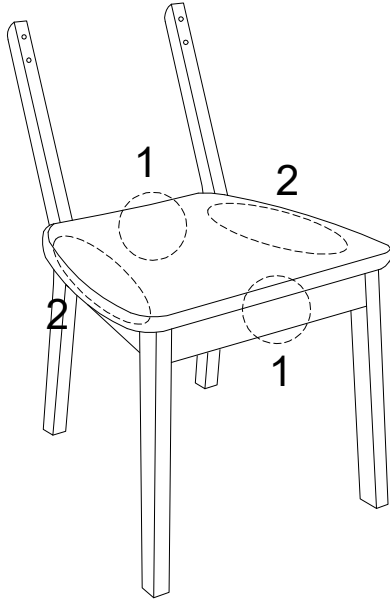
x 1

J

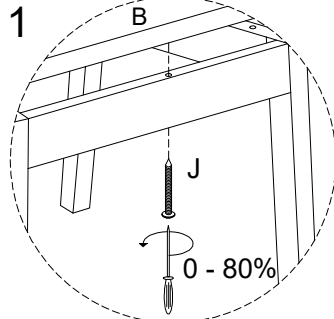


4
x
45

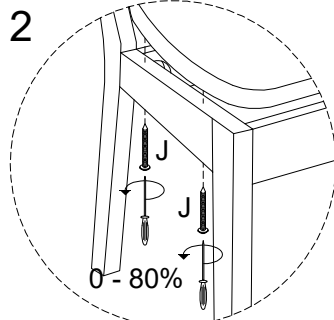
x 6



1



2



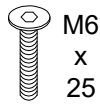
4

A



x 1

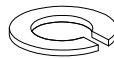
H



M6
x
25

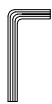
x 4

I

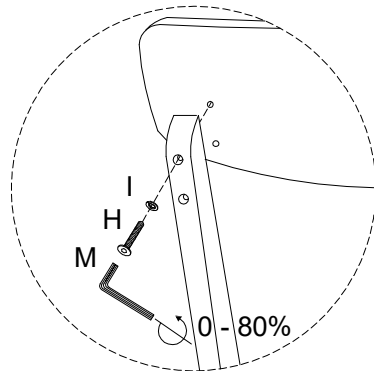
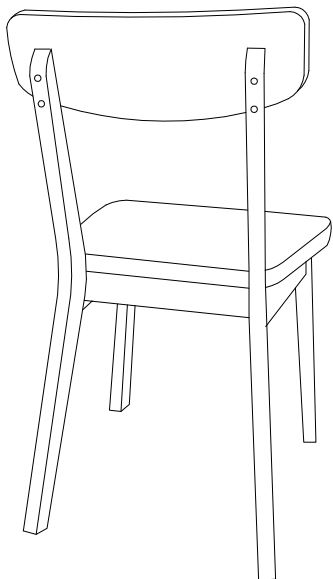


x 4

M



x 1



5

L



x 4

M



x 1

