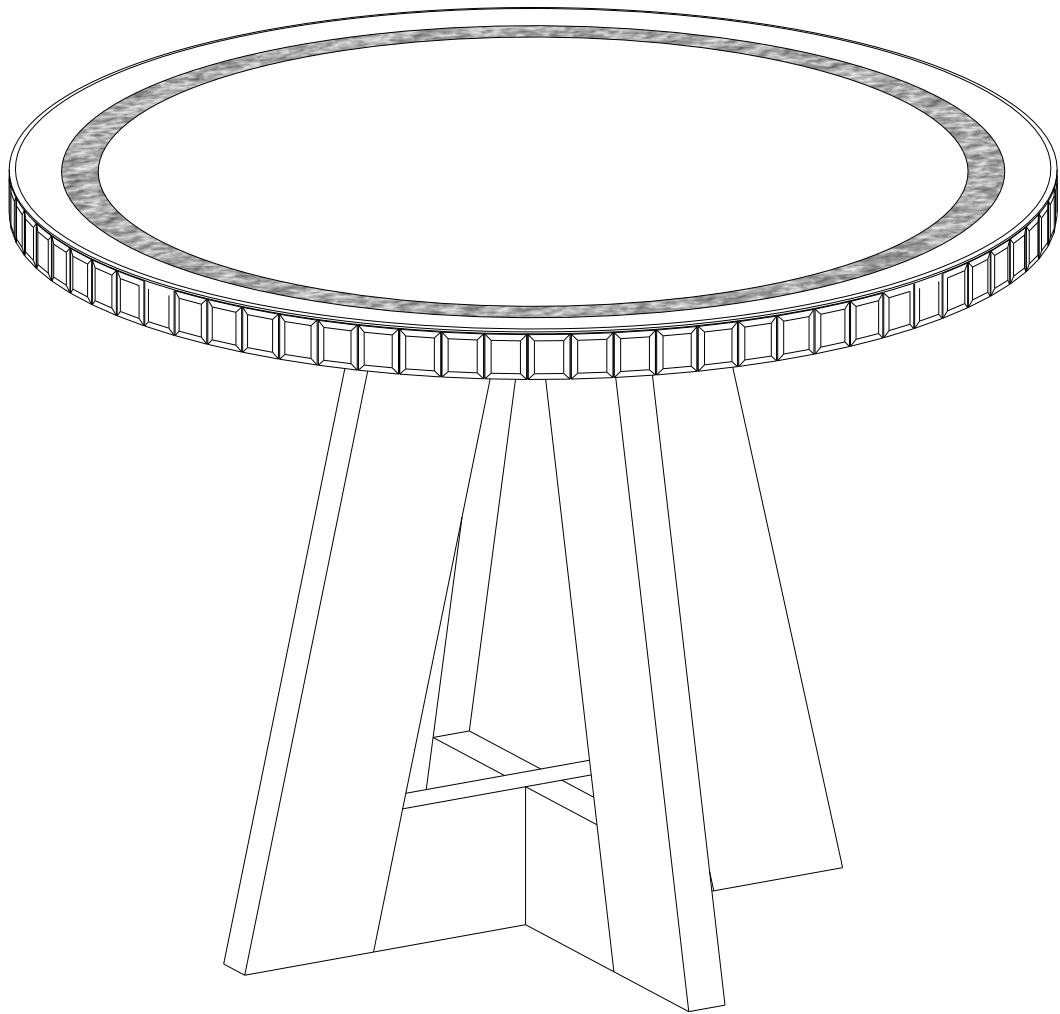


# Dining Table Installation Instruction



# Product Specifications

## 1. PRECAUTIONS

When moving furniture, do not drag, always lift.

Check all fixings regularly to ensure that they are not loose and retighten if necessary.

Handle or move furniture with care, as carelessness may cause damage or injury.

Furniture can be dangerous if not installed correctly.

No liability will be assumed for damage or injury caused by improper installation or assembly.

Keep these instructions for future reference.

## 2. CARE AND MAINTENANCE

Dust regularly with a clean, soft, dry cloth.

Do not use any abrasive or acidic products. Never use cleaning solvents.

For professional cleaning only.

## 3. WARNING

(1) Use the provided wall mount.

(2) Never allow children to climb or hang on drawers, doors or shelves.

(3) Place the heaviest items in the drawers or shelves below.

(4) Do not place a television or other heavy objects on top of this product unless it is specifically designed to accommodate.

(5) Do not open more than one drawer at a time.

Accessory devices come with your product; however, you need to find the right fixtures for your wall type. If in doubt, consult a qualified professional.

Always make sure that the wall you are drilling into is free of hidden electrical wires, water pipes, and gas pipes.

(6) This product contains small parts. Keep all small parts out of reach of children. If swallowed or inhaled, these small parts can be fatal.

(7) Keep plastic bags out of reach of children to avoid potential hazards such as suffocation.

## 4. INSTALLATION GUIDE

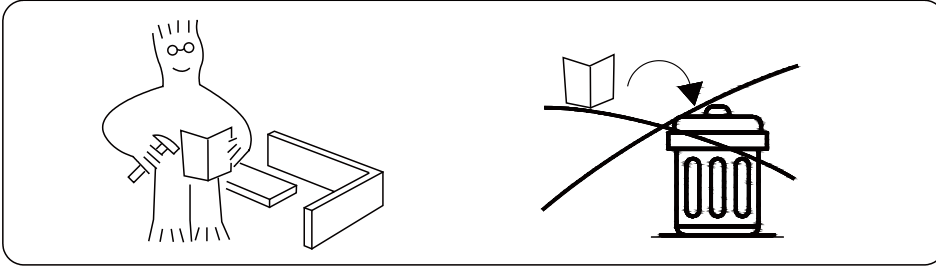
Assembly is to be performed by competent adults only.

During assembly, children should stay away from the product as there may be a risk of injury.

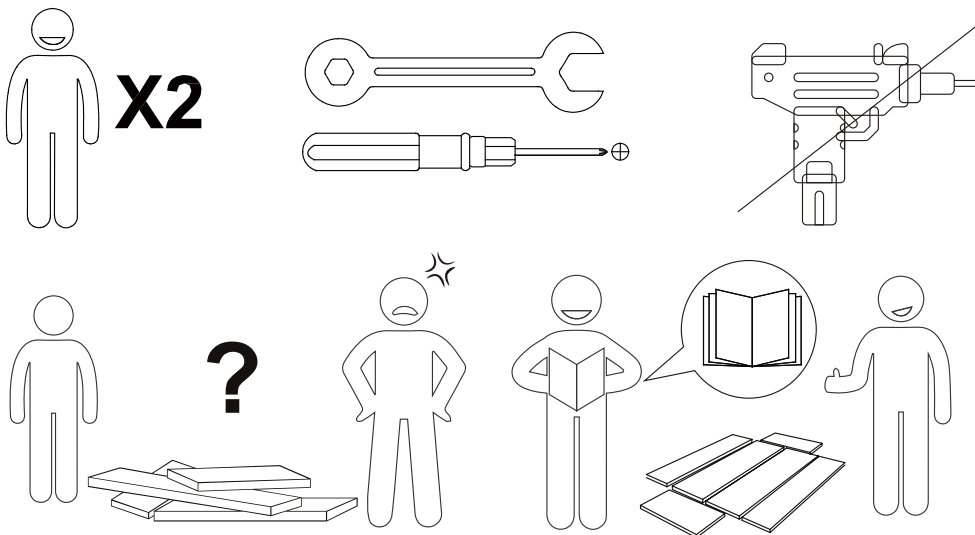
Do not use this item if any parts are missing or damaged.

# NOTICE

Important, retain for future reference: Read carefully !!!

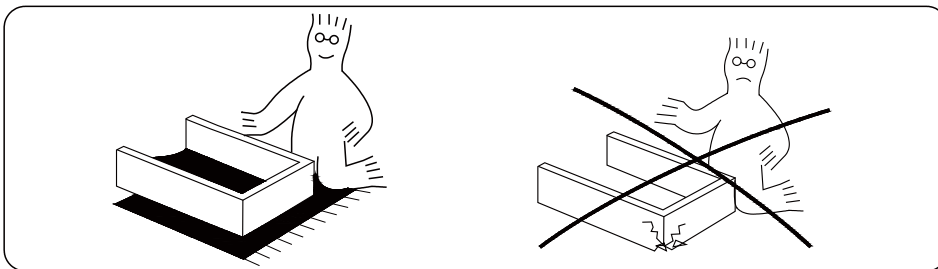


We recommend that multiple people using hand tools for assembly.  
If an electric screwdriver is used, reduce power and torque to avoid damage to the product.



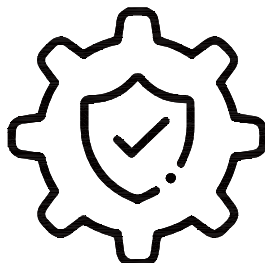
Assemble on a flat, clean and soft surface.

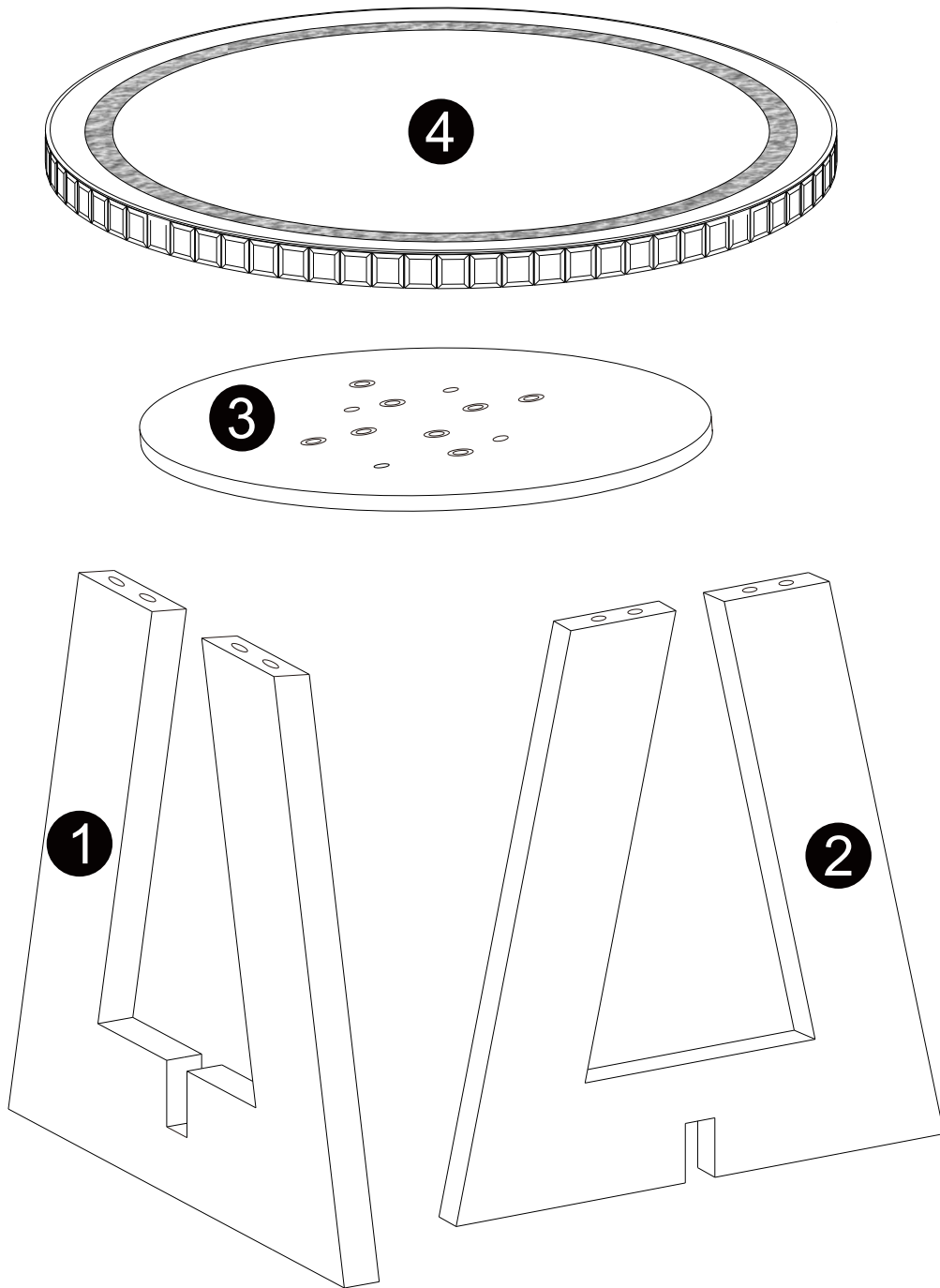
The product should be handled with care to avoid contact with hard objects!!!



Professional installation is highly recommended.

Periodically Check That All Components Are Tightly Secured.

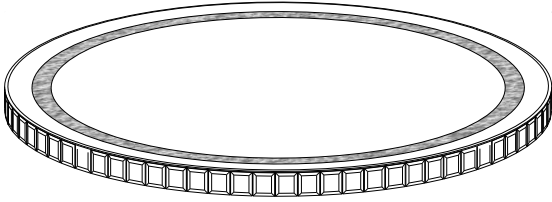
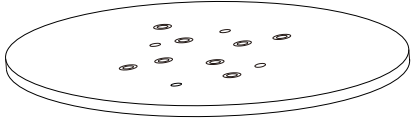
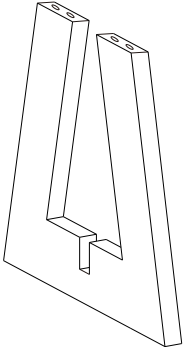
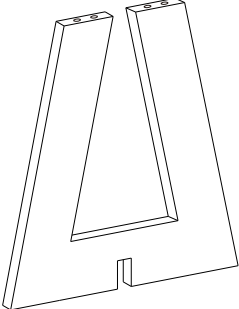




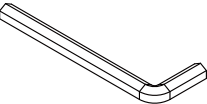
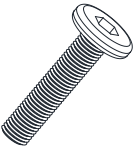

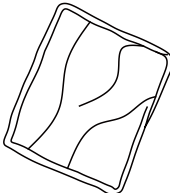
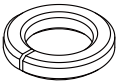

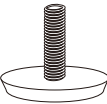
**⚠ Caution**

Make sure all parts are included. Most board parts are labeled or stamped on the raw edge. Contact us for a free replacement if you encounter any damaged or missing parts.

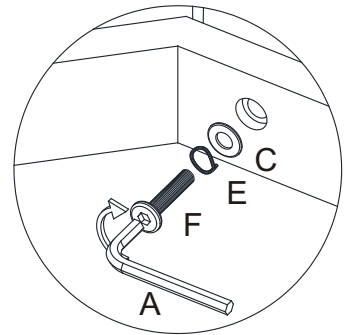
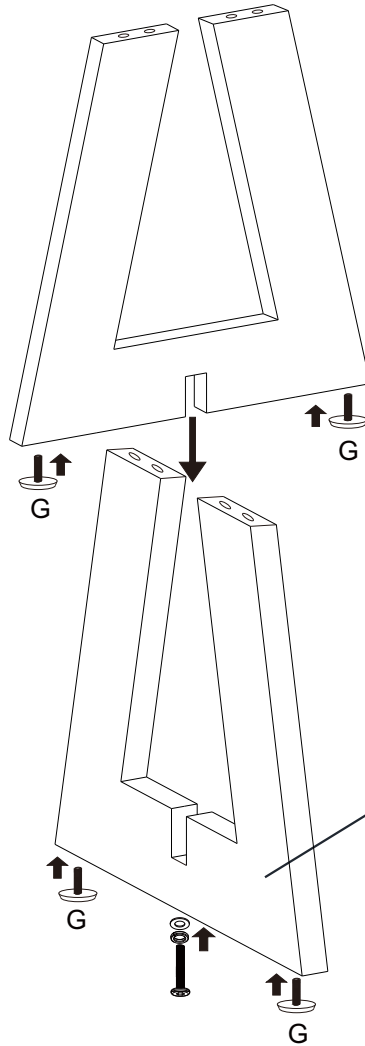
# Parts List

 <p><b>4</b> 1 pc</p>	 <p><b>3</b> 1 pcs</p>
 <p><b>1</b> 1 pcs</p>	 <p><b>2</b> 1 pc</p>

# Hardware List

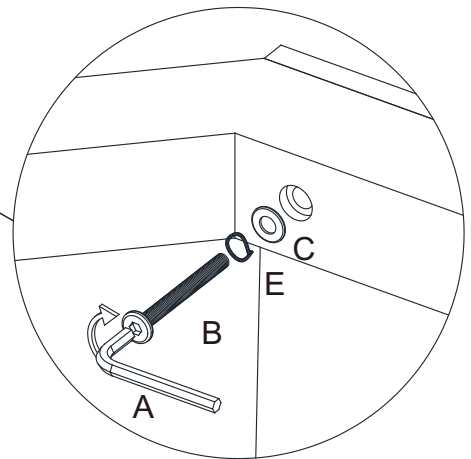
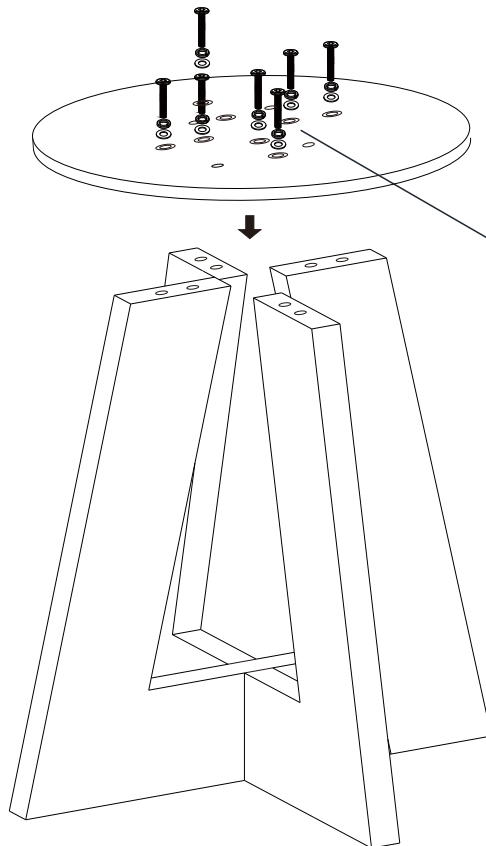
 <p><b>A</b> 1 pc</p>	 <p><b>B</b> M8*40 12 pcs</p>	 <p><b>C</b> 13 pcs</p>	 <p><b>D</b> Rag 1 pc</p>	 <p><b>E</b> 13 pcs</p>
 <p><b>F</b> M8*90 1 pcs</p>	 <p><b>G</b> M6*18 4 pcs</p>			

1



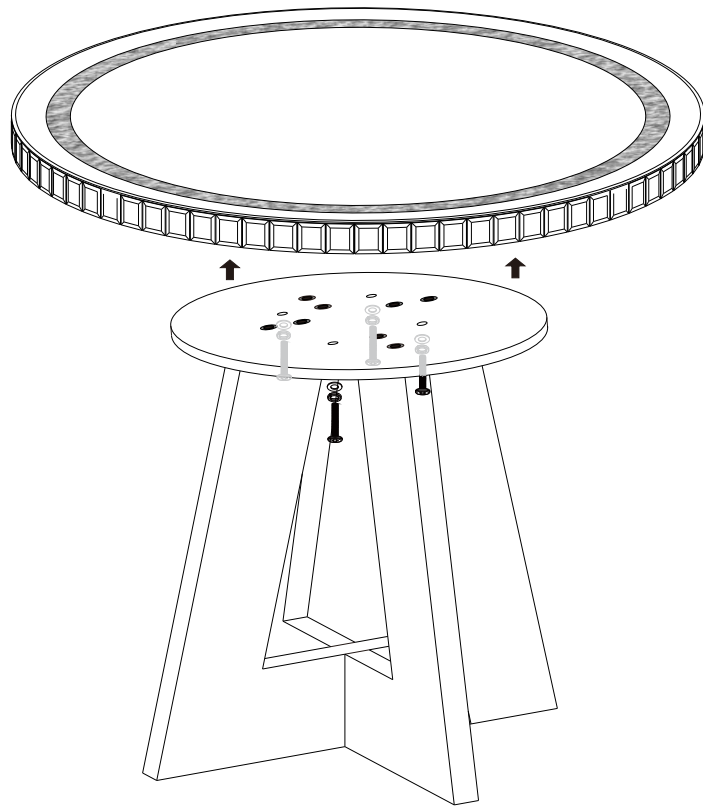
- A 1 pc
- F 1 pcs
- C 1 pcs
- E 1pcs
- G 4pcs

2



- A 1 pc
- B 8 pcs
- C 8 pcs
- E 8 pcs

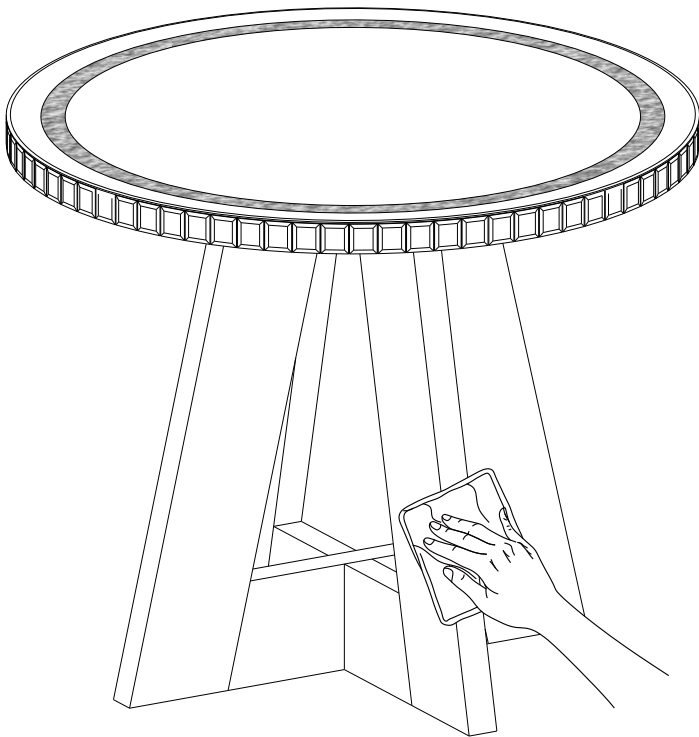
3



4

**⚠ Caution**

Before using the product,  
Please wipe the stains on the mirror surface clean with the included cloth?



**⚠ Caution**

When moving the product, be sure to handle it gently !!?