
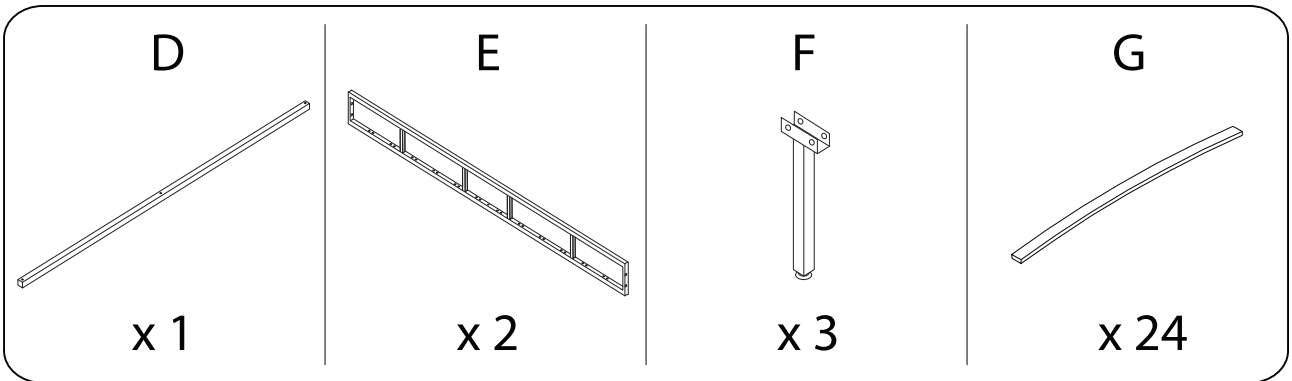
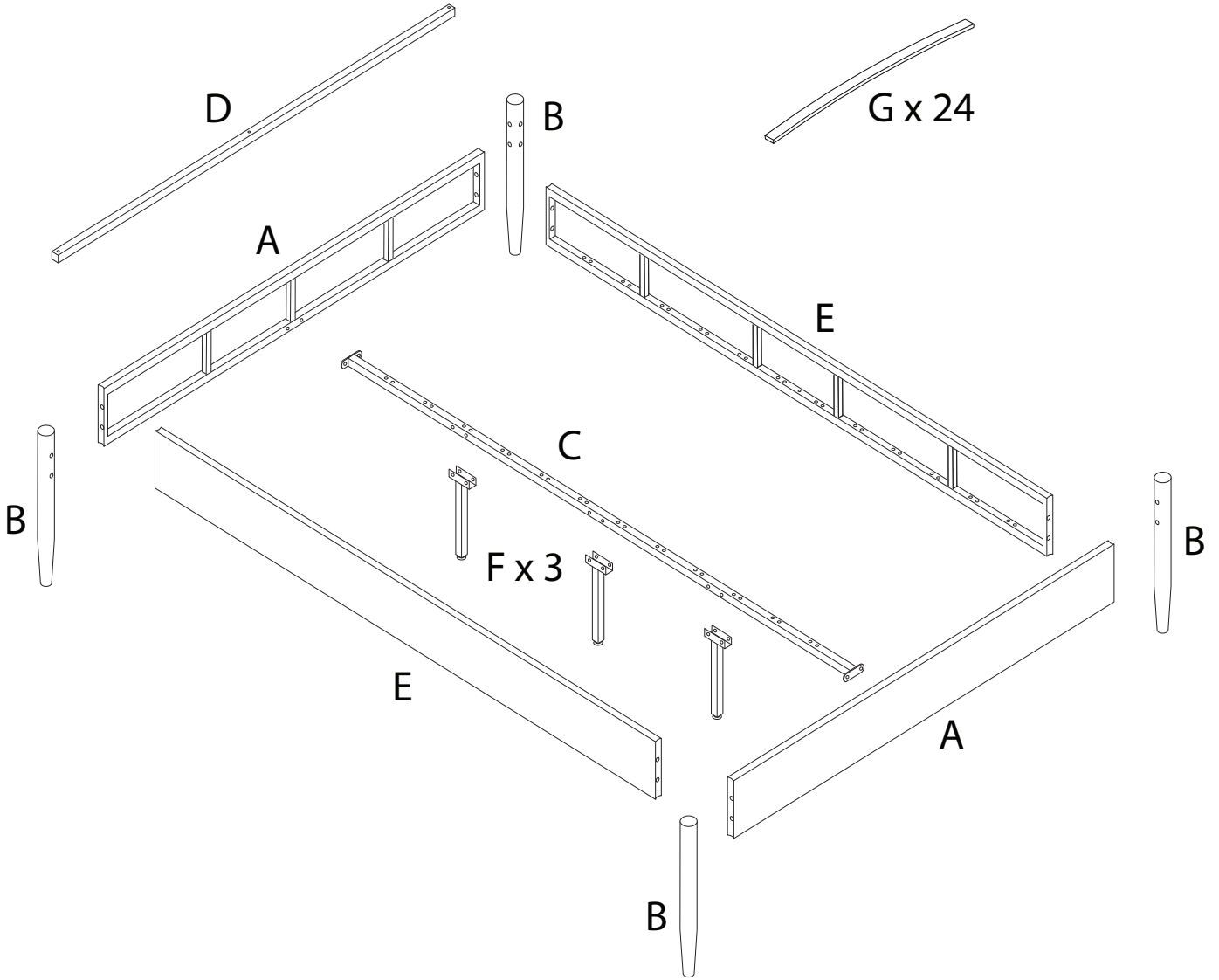
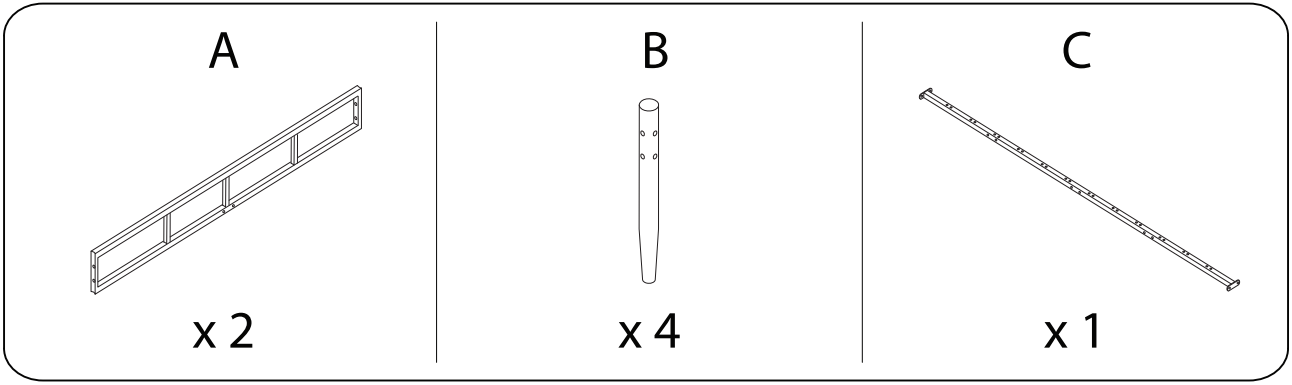
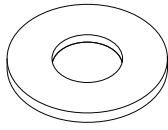
	<p>45'</p>
		
		<p>2</p>

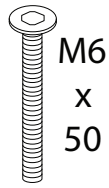


H



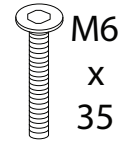
x 33

I



x 2

J



x 1

K



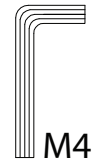
x 20

L



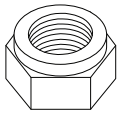
x 1

M



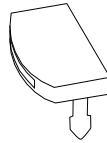
x 1

N



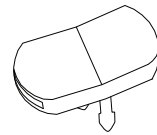
x 8

O



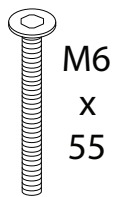
x 24

P



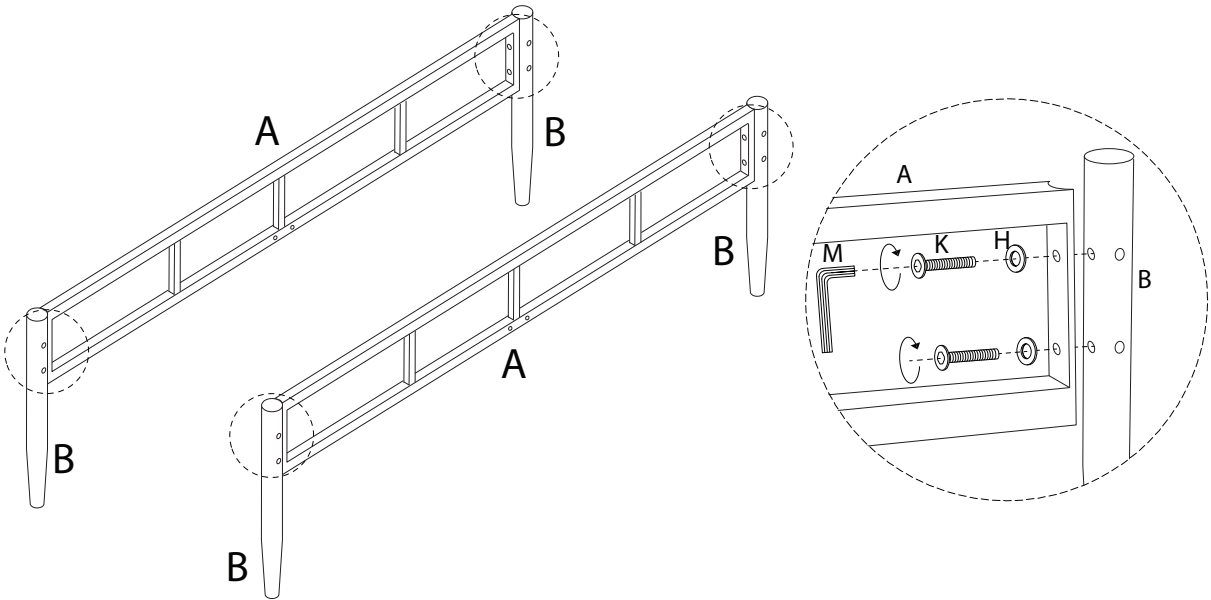
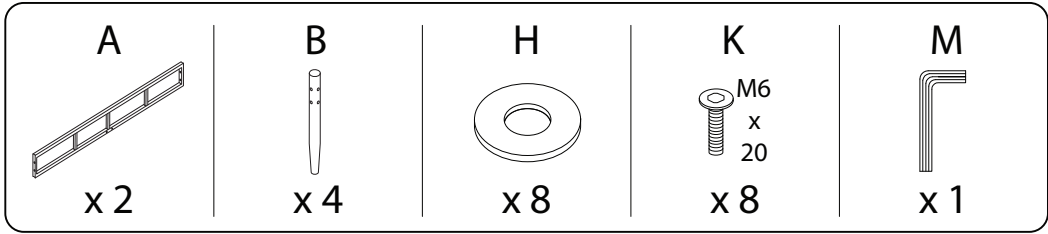
x 12

Q

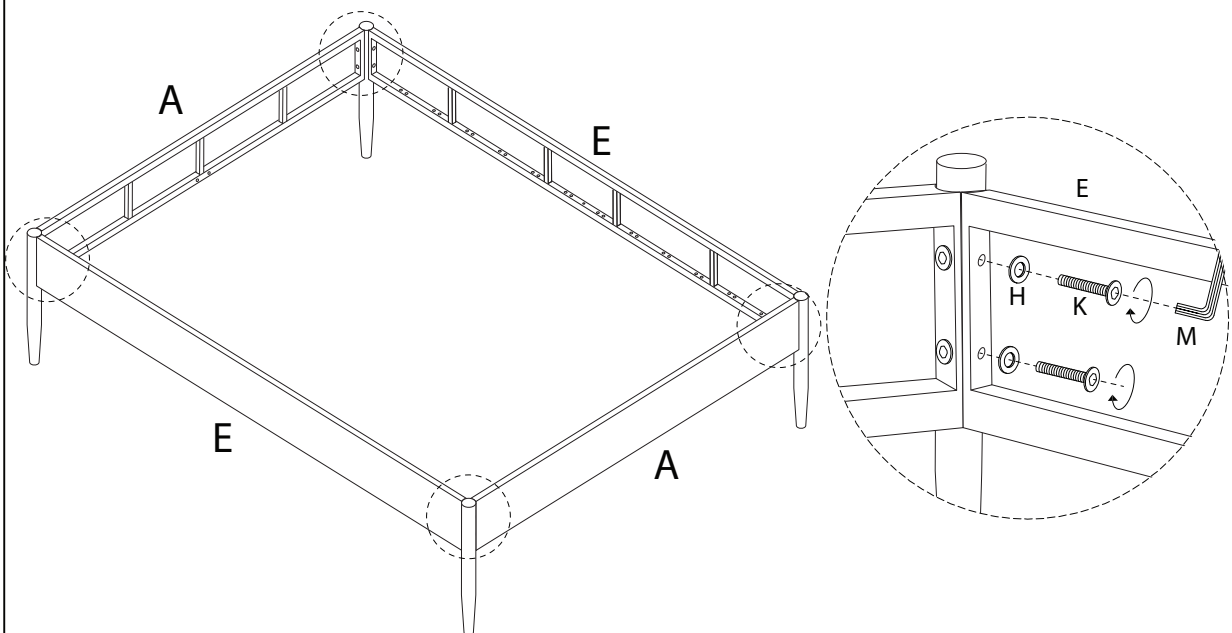
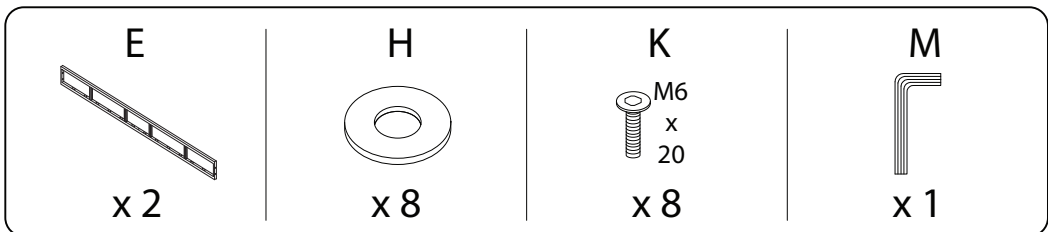


x 6

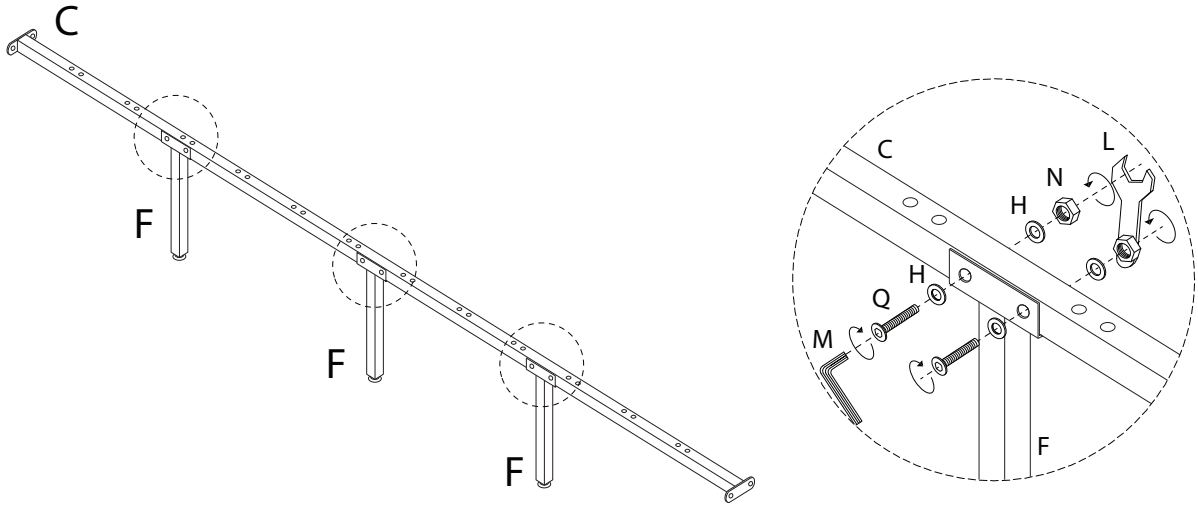
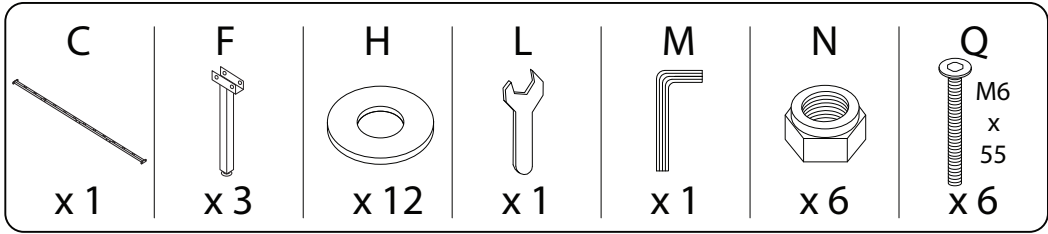
1



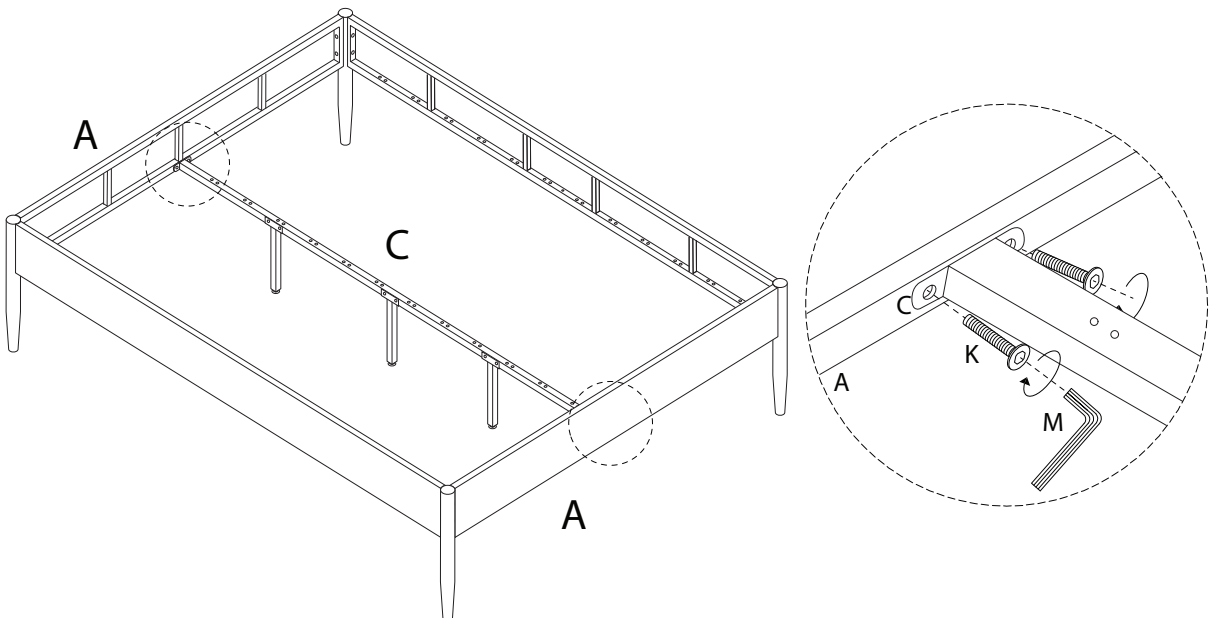
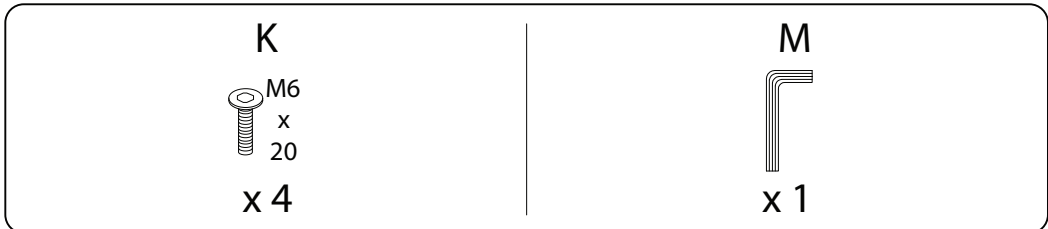
2



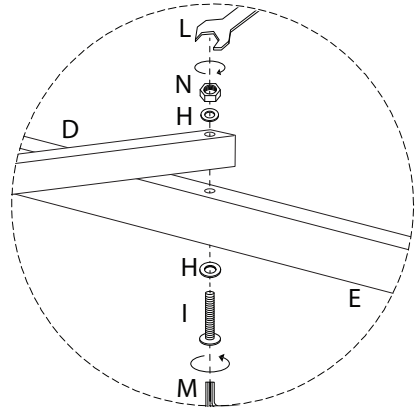
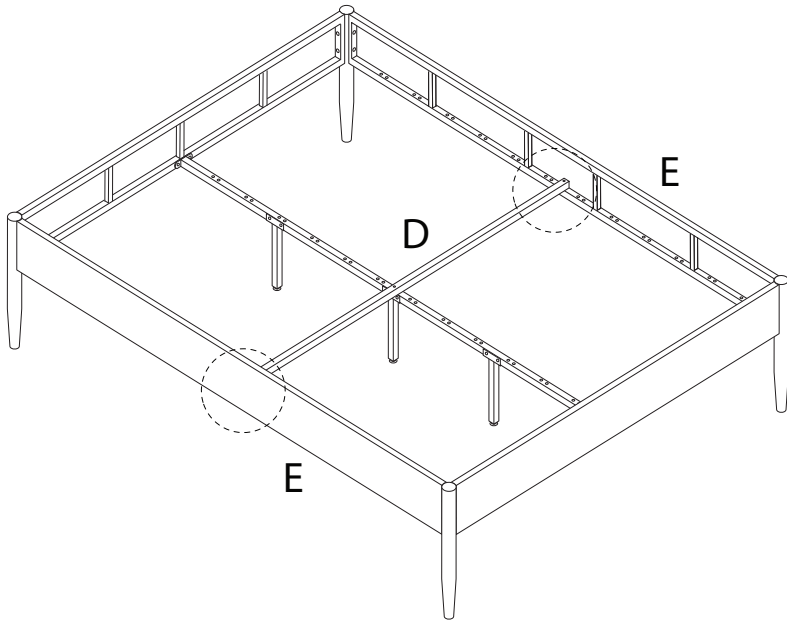
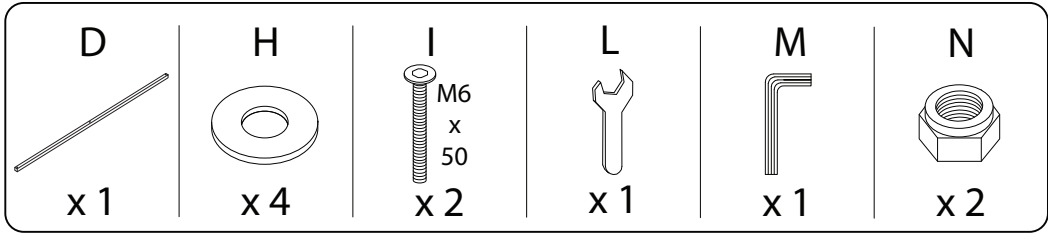
3



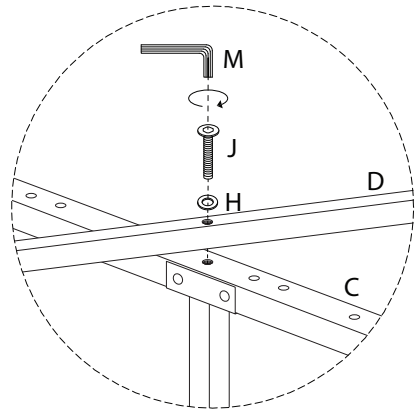
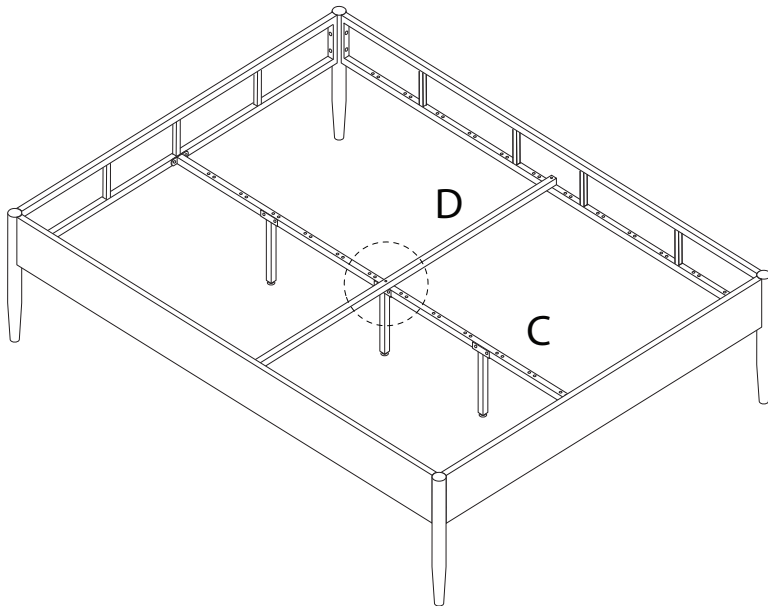
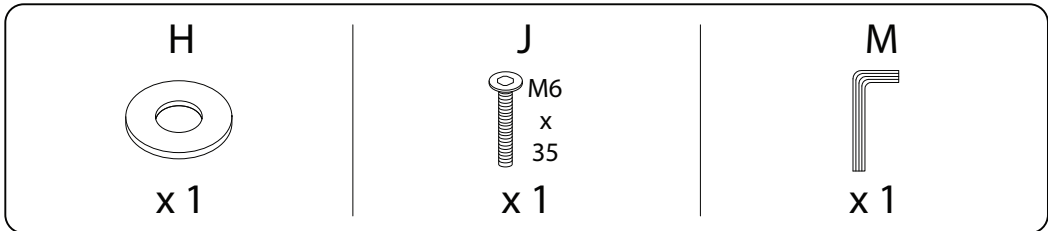
4



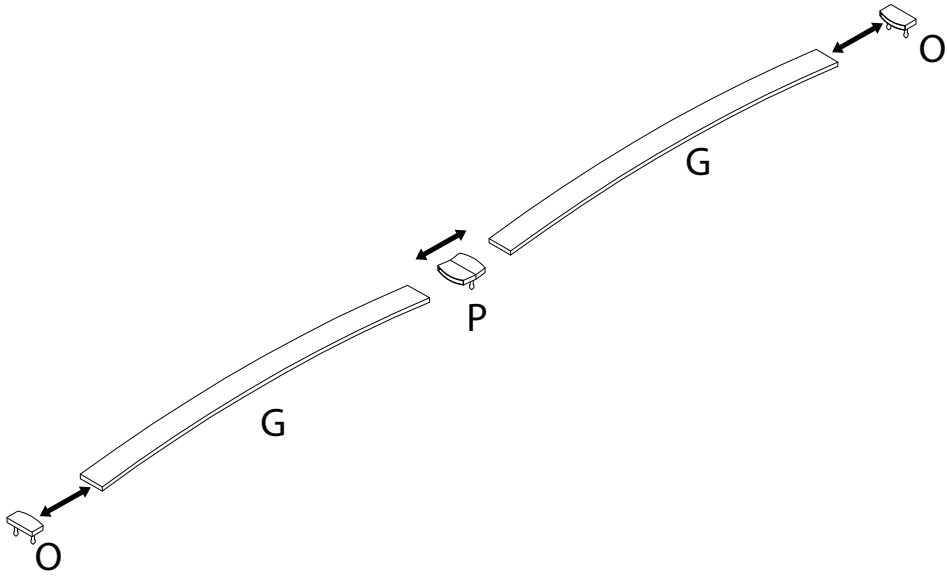
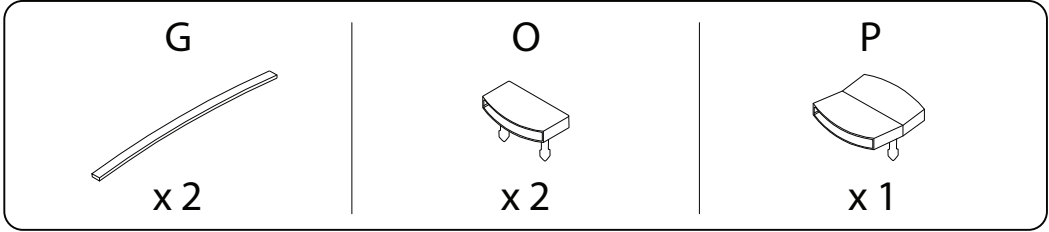
5



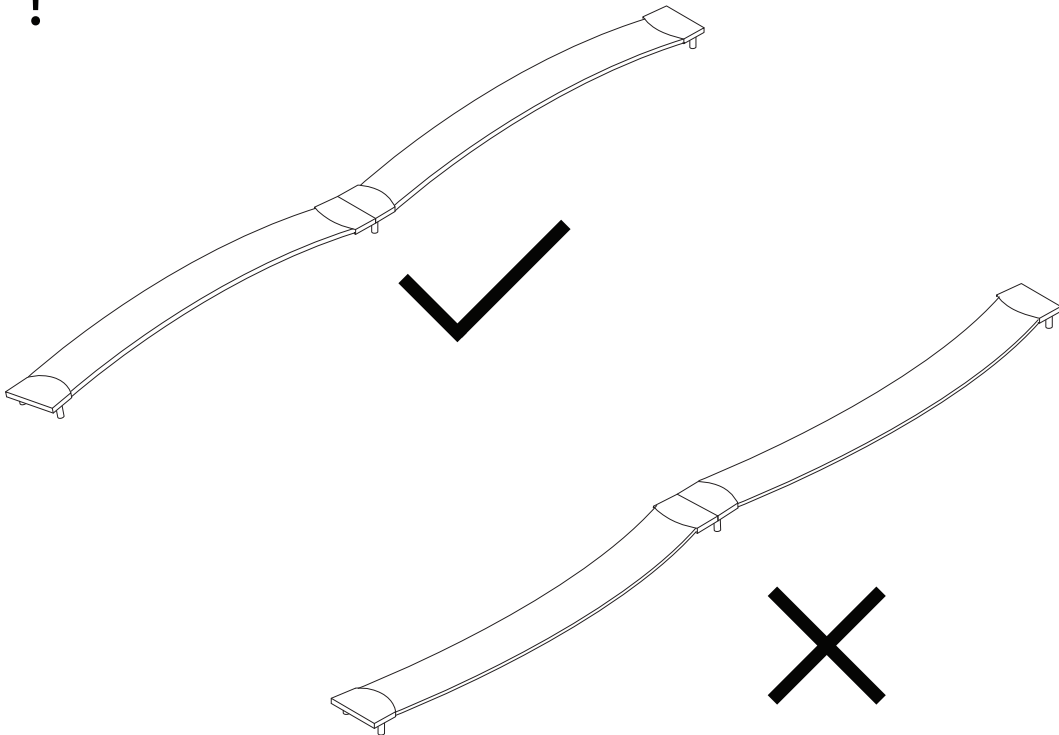
6



7 x 12



!



8

