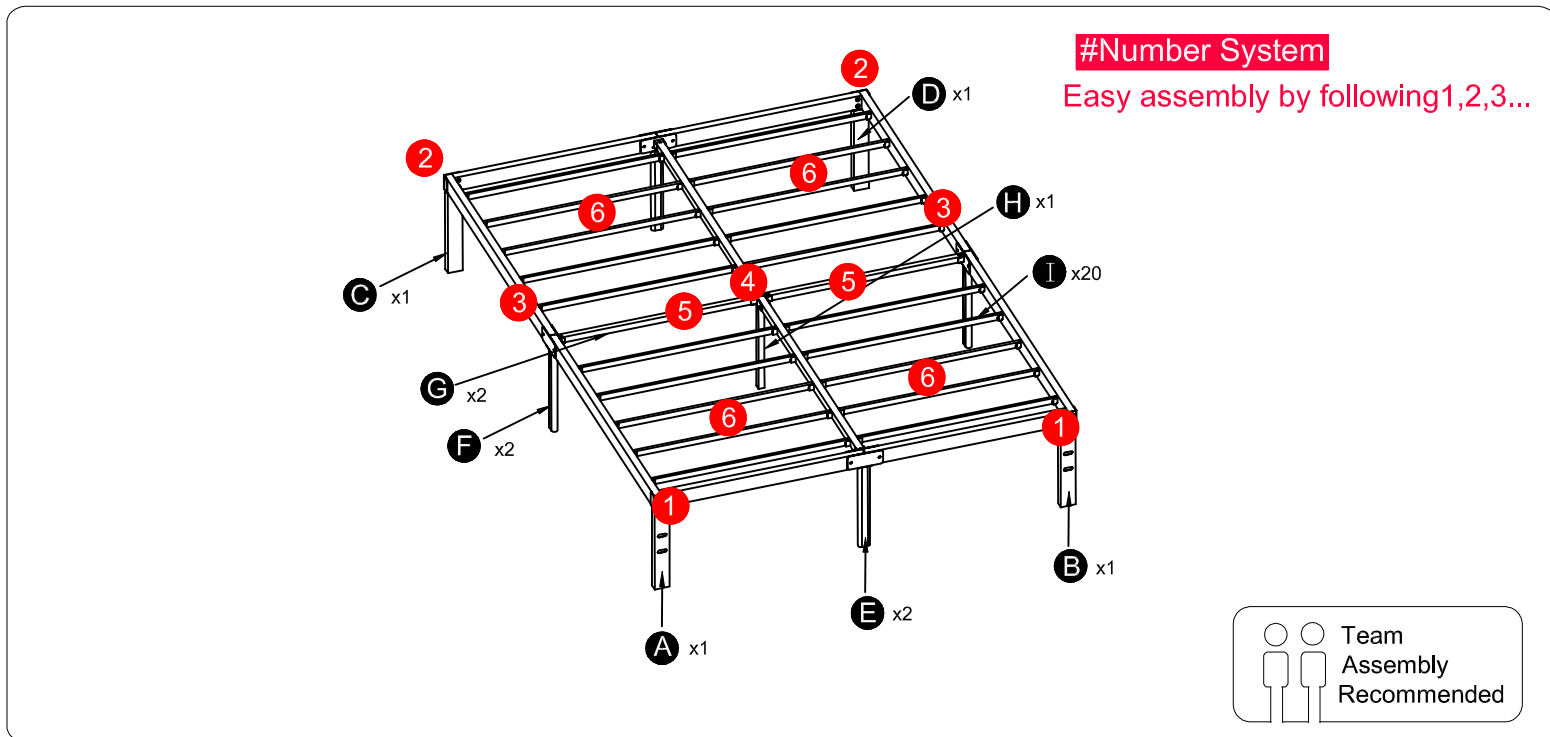


Bed Frame Installation Manual



Componets

- A x1
- B x1
- C x1
- D x1
- E x2
- F x2
- G x2
- H x1
- I x20

Screws & Tools

①	M8x45mm	x16
②	M6x35mm	x6
③	M8	x8
④	Ø8	x16
⑤		x1
⑥		x1

Return Policy

We believe you will absolutely love your Metal platformbed. But if for some reason you want to return the foundation, please contact us directly before you decide to return your product. Our customer service organization can answer most concerns and assist you with any questions you may have about your new foundation, please email us first. The item must be returned within 30 days of delivery for a full refund. The item must be returned in good condition, in original box, with all original proof of purchase, parts and accessories.

Trouble shooting:

Missing parts	Other issues
↓	↓
Send email with your question	Send email with your issue
↓	↓
Resend within 24 hours	Respond within 24 hours
↓	↓
Issue resolved	Issue resolved

We control manufacturing and distribution ourselves, ensure the quality.

