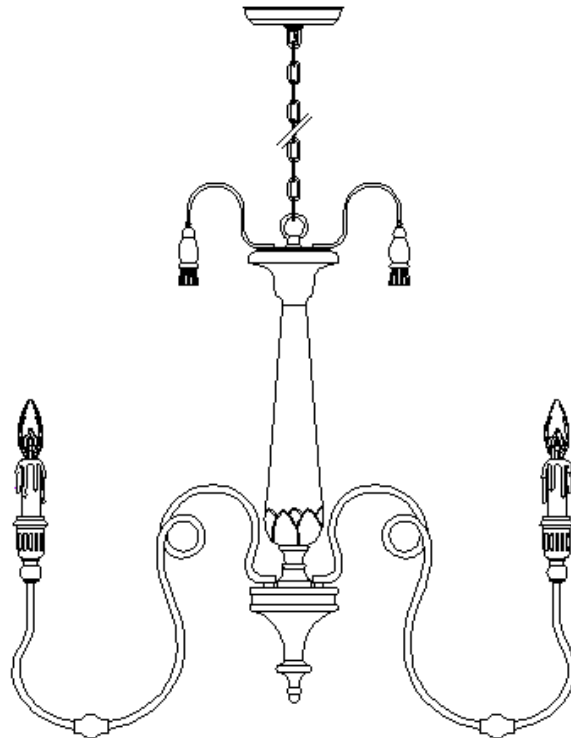

WARNING (To reduce the risk of fire, electric shock, or injury to persons):

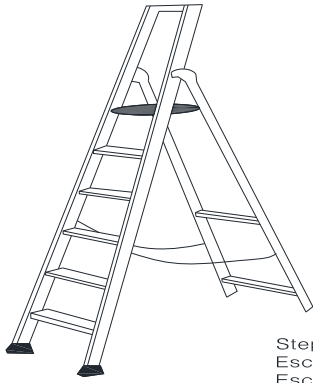
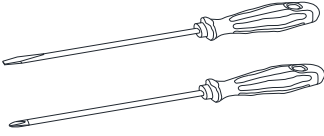


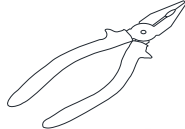
1. We suggest installation by a **licensed electrician**.
2. Please read the instruction carefully and save it as you may need it at later time.
3. Before you start, **NEVER** attempt any work without shutting off the electricity until the work is done. A). Go to the main fuse, or circuit breaker, box in your home. Place the main power switch in the **"OFF"** position. B). Place the wall switch in the **"OFF"** position.
4. Mounting surface should be clean, dry, flat, strong enough and 1/4" larger than the canopy on all side. Any gaps between the mounting surface and canopy exceeding 3/16" should be corrected as required.
5. Make sure that the ceiling or wall can stand the weight of the lamp before fixture.
6. Make sure the voltage you are using is **120V**. The maximum wattage is **40W** per bulb.
7. Keep the lamp away from acidic and basic objects in case of damaging the surface of the lamp.
8. When replacing bulb, you should turn off or unplug the lamp and you must wait until it is cool as bulbs get hot quickly.
9. The safety instructions appearing in this manual are not meant to cover all possible conditions that may occur. It must be understood that common sense, caution and care must be used with any electrical products.

IMAGE FOR FINISHED PRODUCT:



TOOLS REQUIRED (NOT INCLUDED):

Before doing assembly and installation please prepare the needed tools as below picture

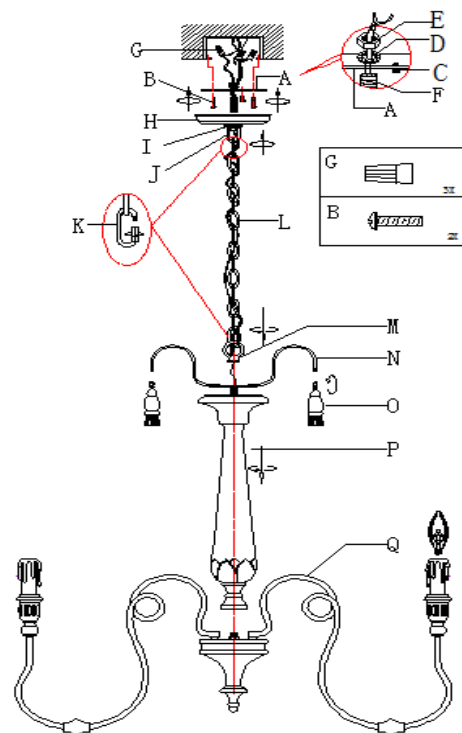
 <p>Step Ladder Escabeau Escalera</p>	 <p>Phillips Head, Flat Blade Screwdrivers Tournevis à tête Phillips et à tête plate Destornilladores Cabeza Phillips y Destornilladores Cabeza Plana</p>	 <p>Electrical tape Ruban isolant Cinta Electrica.</p>
	 <p>Wire Cutter/Stripper Pince coupe-fil/ à dénudé Cortador de Cable</p>	 <p>Plier Pince Alicates</p>

PARTS INCLUDING:

- (A) Mounting plate (1)
- (C) Green ground screw (1)
- (D) Washer (1)
- (E) Hex nut (1)
- (F) Nipple (1)
- (H) Canopy (1)
- (I) Threaded ring (1)
- (J) Collar loop (1)
- (K) Quick link (2)
- (L) Chain (1)
- (M) Loop (1)
- (N) Steel holder (1)
- (O) pendant (1)
- (P) Post(1)
- (Q) Fixture body(1)

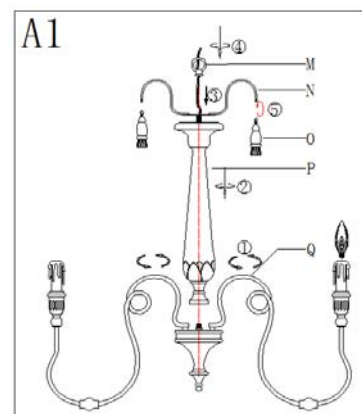
ACCESSORIES ENCLOSED:

- (B) Mounting screw (2)
- (G) Plastic Wire Connectors (3)

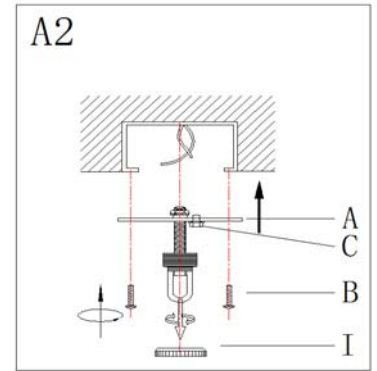


ASSEMBLY & INSTALLATION INSTRUCTIONS:

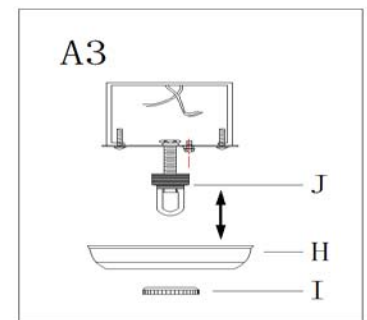
1. Carefully remove the fixture from the carton and check that all parts and accessories are included as shown in the above illustration
2. Turn off power
3. Pass wire from fixture body(Q) through post (P), steel holder (N) and loop (M)
4. Thread the loop (M) onto the thread until snug, Fit the post (P) onto the fixture body(Q).
5. Adjust the fixture arms to their proper position



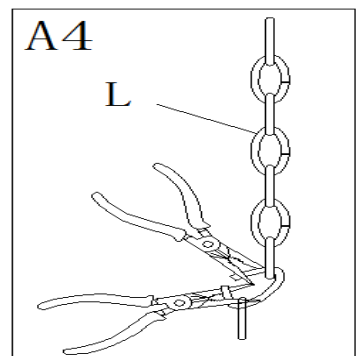
6. Unscrew the threaded ring (I) and canopy (H) from collar loop (J)
7. Attach mounting plate (A) to outlet box by mounting screw (B) .
the side of mounting plate marked "GND" must face out



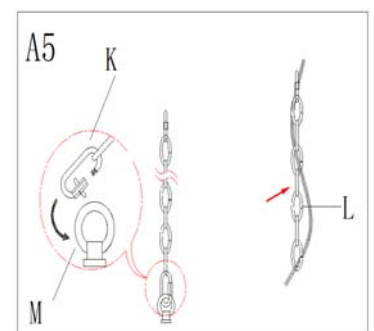
8. Raise the canopy (H) through collar loop (J) and then screw the collar loop (J) to a proper position by measuring



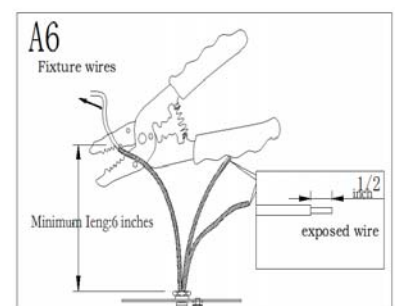
9. Adjust the chain (L) to your desired length by removing the links if needed



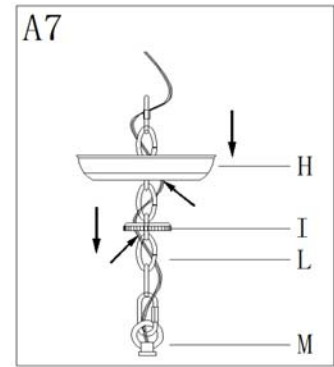
10. Attach quick link (K) to loop (M) and carefully lace the fixture wires through the chain (L)



11. By measuring, determine the correct length of wires needed. Use the wire pliers, cut and discard the remaining wires.

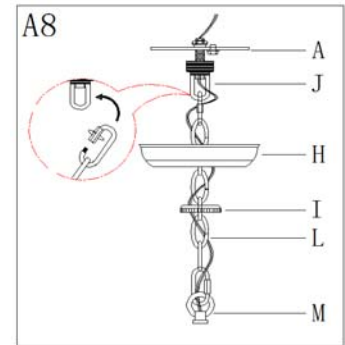


12. Slip threaded ring (I) over the chain(L), then do the same with the canopy(H)

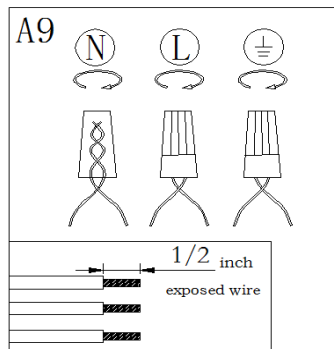


13. Open the quick link(K) then hang to the collar loop(J)

14. Pass the fixture wires through collar loop and nipple to the top of mounting plate

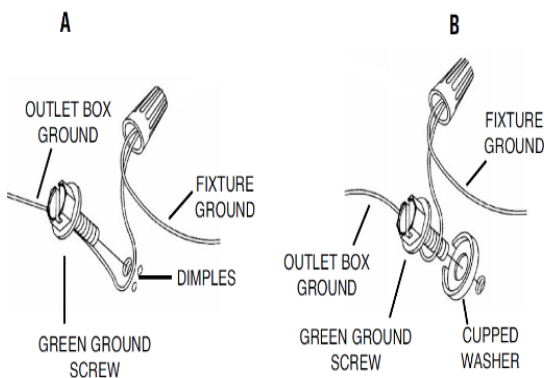


15. Make the wires connection
Twist connector until wires are tightly joined together, wrap each connection with approved electrical tap and carefully stuff all wires into the outlet box



IMPORTANT NOTE:

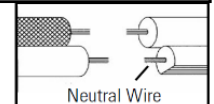
Connect ground wire according to below chart



Connect wires according to below chart

Connect Black or Red Supply Wire to:	Connect White Supply Wire to:
Black	White
*Parallel cord (round & smooth)	*Parallel cord (square & ridged)
Clear, Brown, Gold or Black without tracer	Clear, Brown, Gold or Black with tracer
Insulated wire (other than green) with copper conductor	Insulated wire (other than green) with silver conductor

*Note: When parallel wires (SPT I & SPT II) are used. The neutral wire is square shaped or ridged and the other wire will be round in shape or smooth (see illus.)



16. Raise canopy to ceiling and secure canopy in place by tightening threaded ring onto collar loop

17. Install bulb (not included)

18. Check everything installed proper, then you could turn on the light.