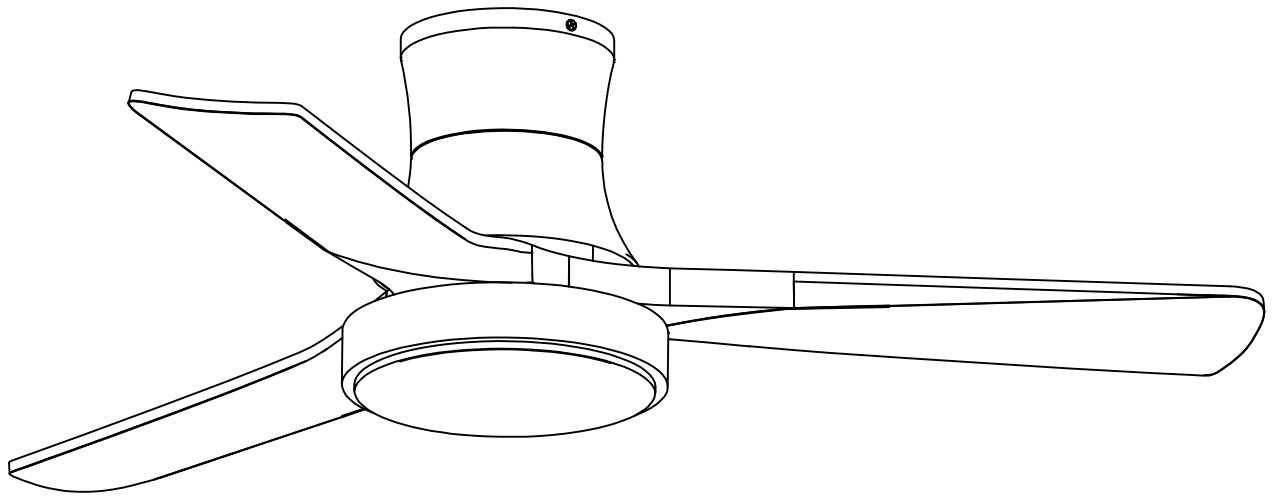
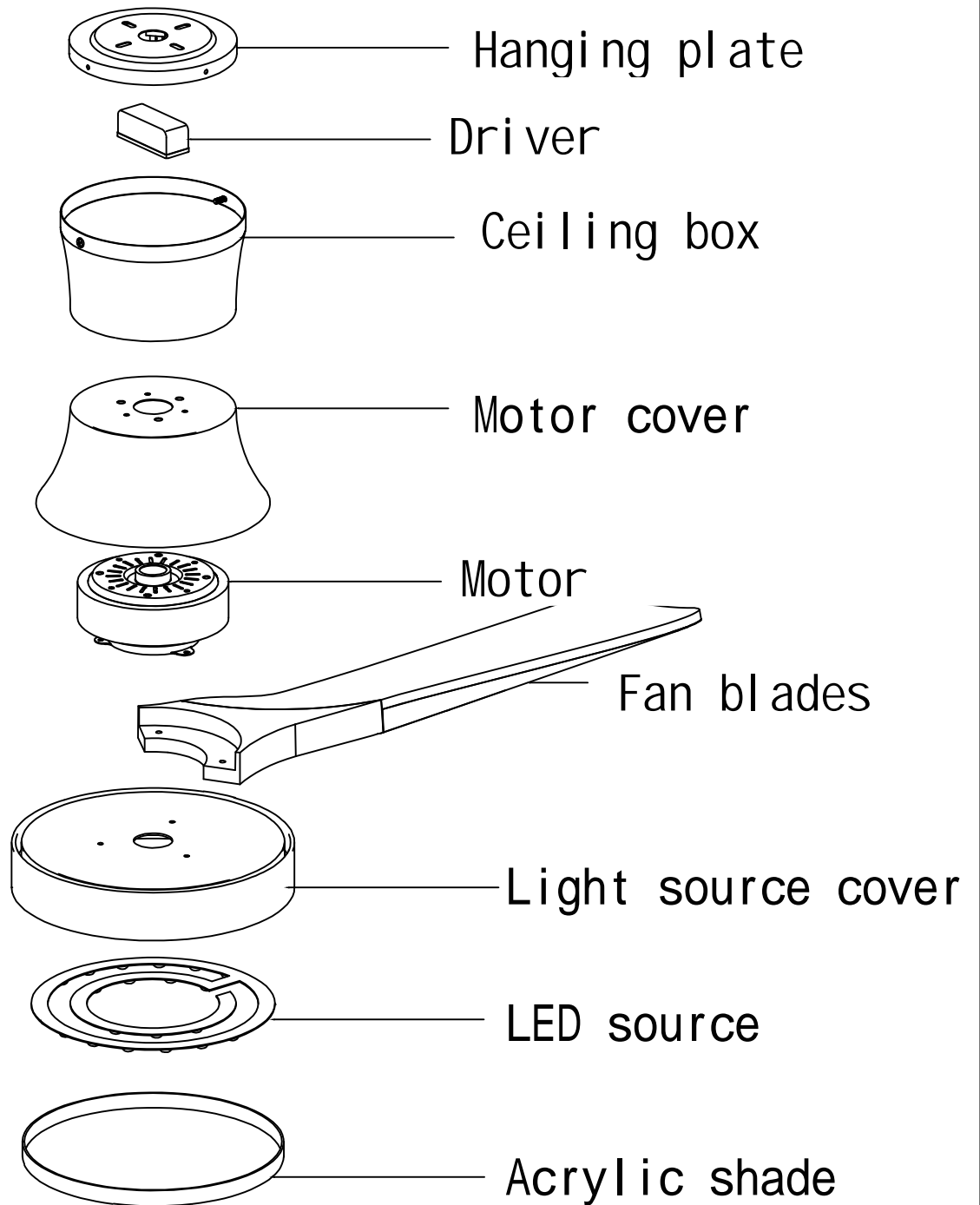
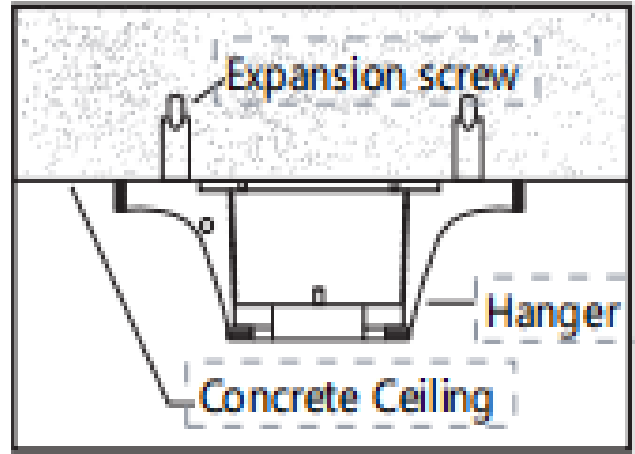
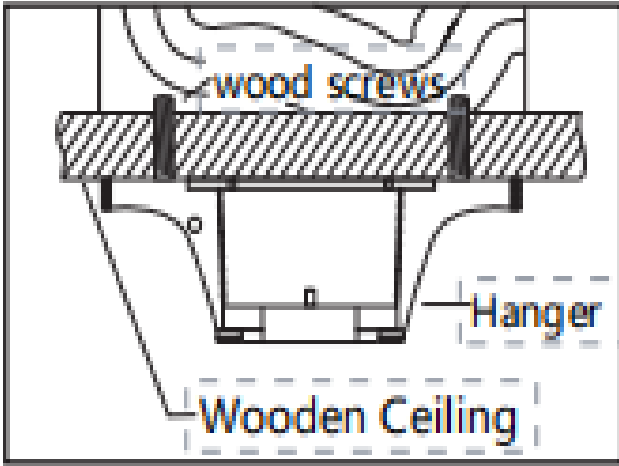


Installation Instructions







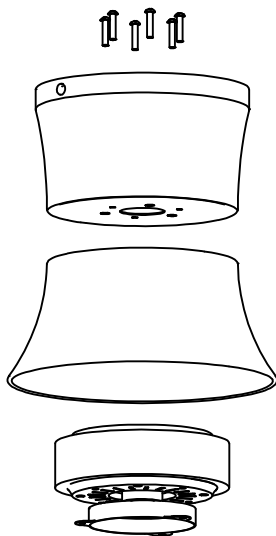
Fix hanger:

1. Wooden ceiling: directly lock the hanging plate to the ceiling with 4 helical screws.

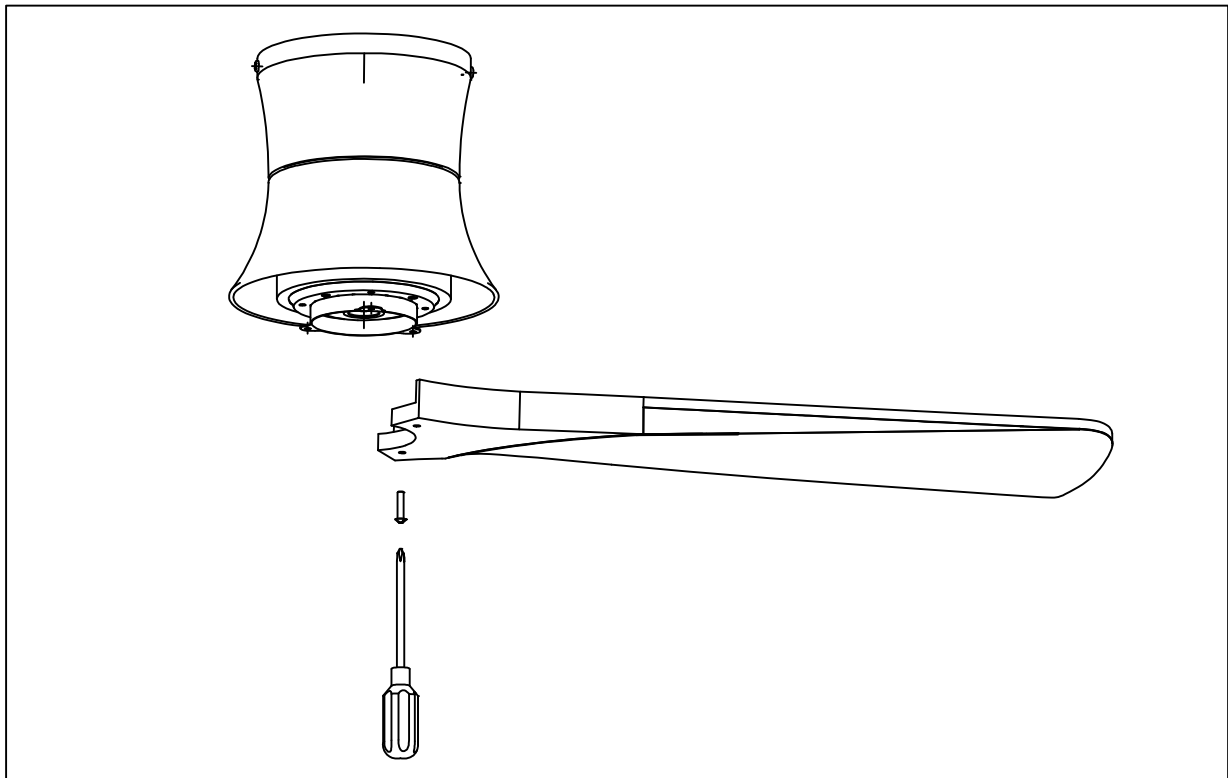
2. Concrete ceiling: Drill an 8cm deep hole with a 8 electric drill, align the hanging plate with the hole, put 4 expansion screws into the hole, and then lock the nut.

Note:

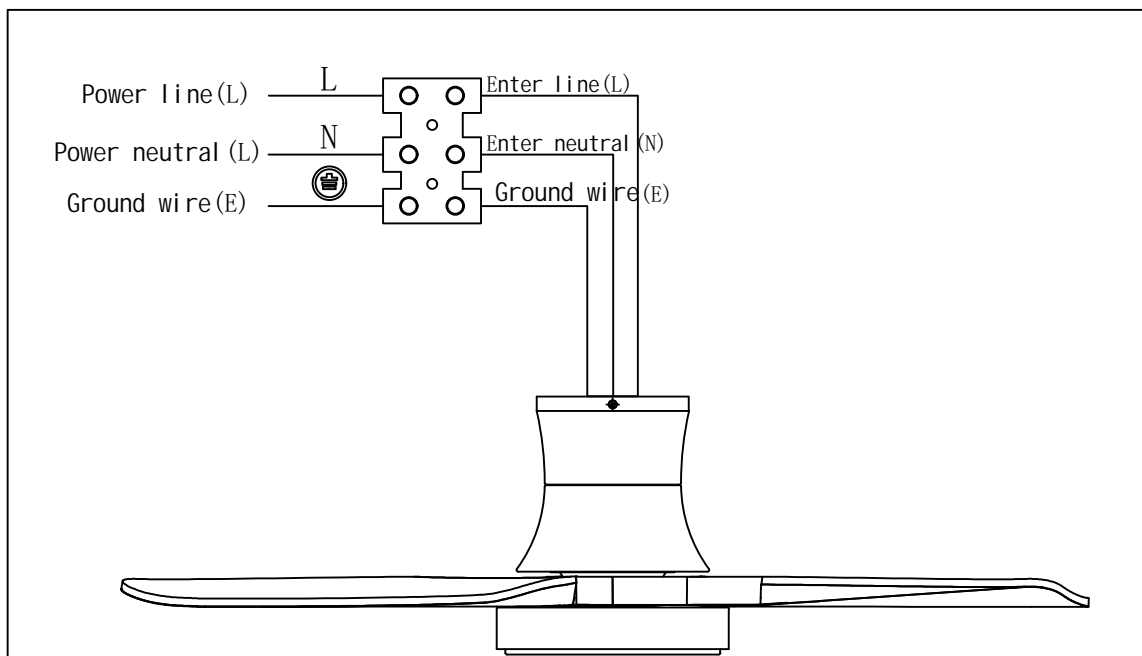
1. According to the material of the ceiling, use screws to fix the hanger.
2. After the hanger is fixed, it must be confirmed that it can bear a weight of more than 50 kilograms (try to pull it by hand) to ensure safety.
3. The hanger cannot be installed on a non-fixed ceiling or other beams.



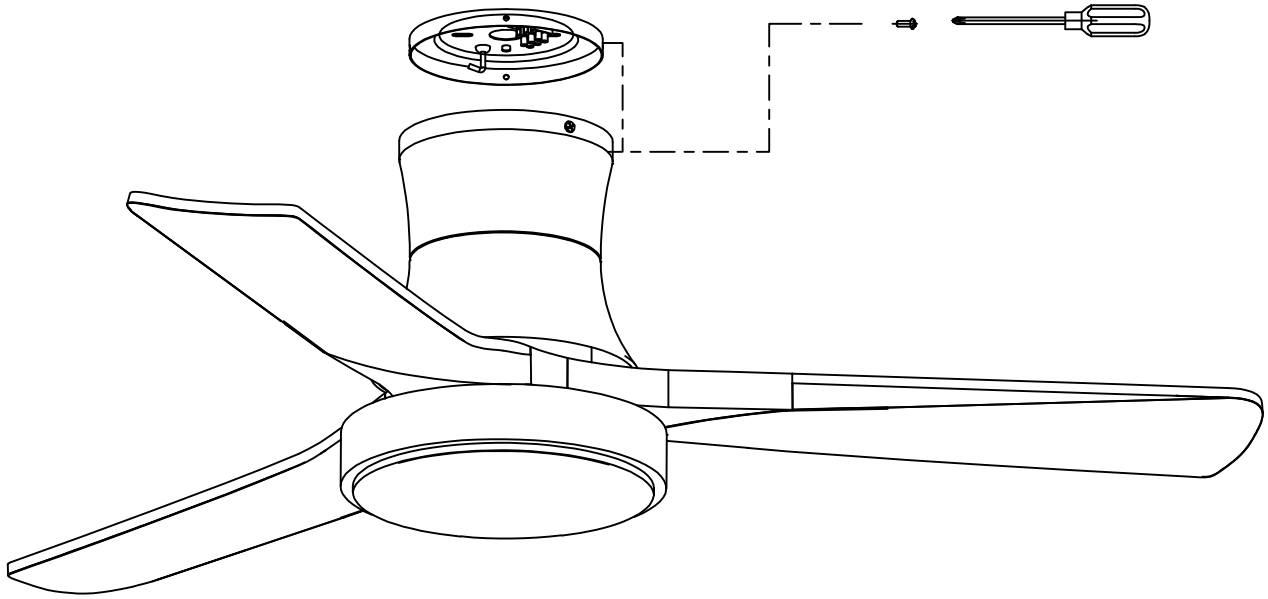
2. Tighten the ceiling box and the motor cover through the motor with screws.



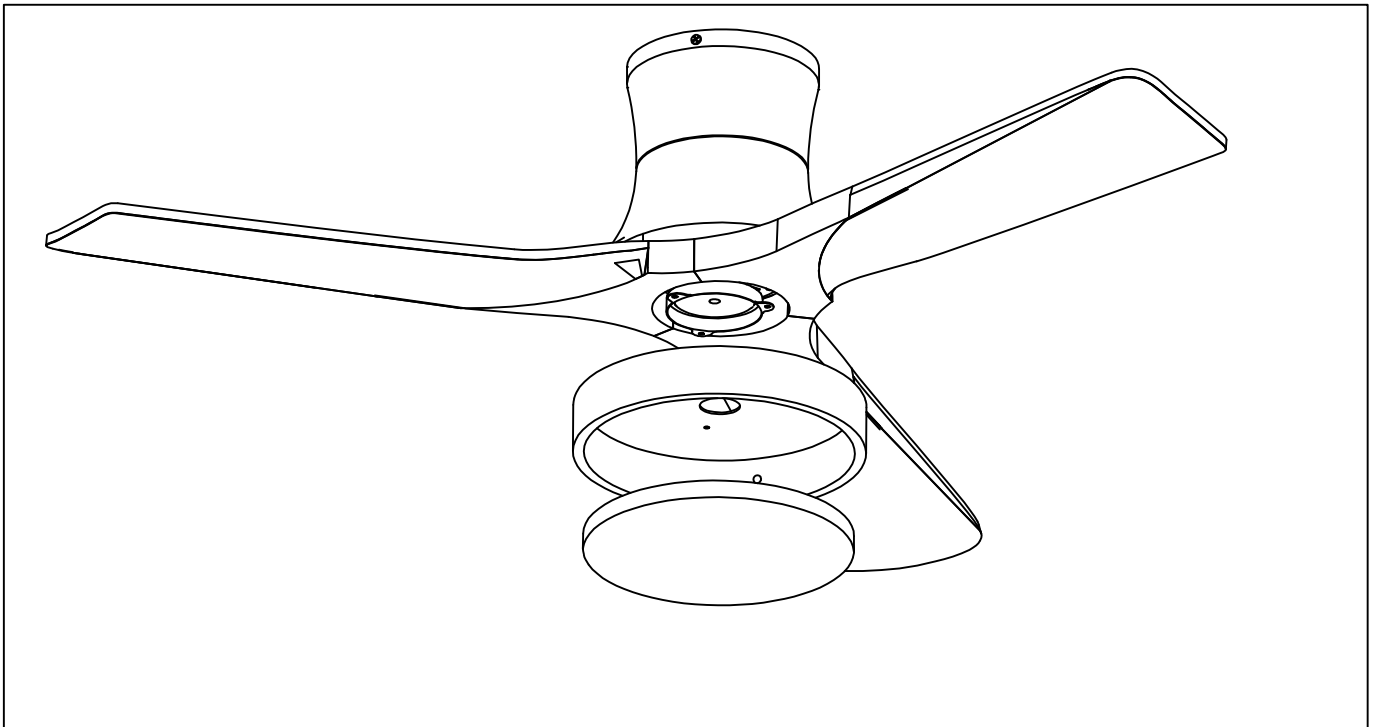
3, Fix the fan blade on the blade rack disk (note the front and the back)



4, As the picture shown, connect the power line and receiver line together. Connect the output line of controller and the input line of ceiling fan body with the same color wires.
Note: after connecting the wire, please check whether the wire is loose



5, Fix the whole ceiling fan on the ceiling cover with screws



6. Tighten the light source cover on the motor with screws, attract the LED light source to the light source cover, and screw the acrylic light shield on the light source cover.