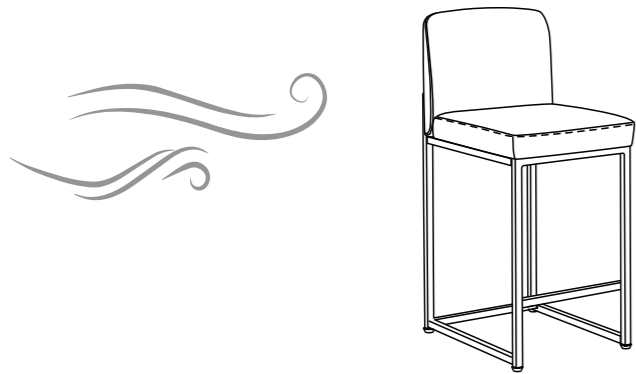
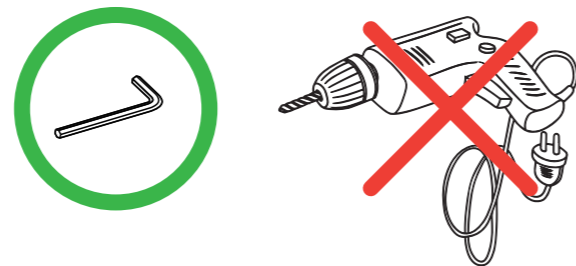


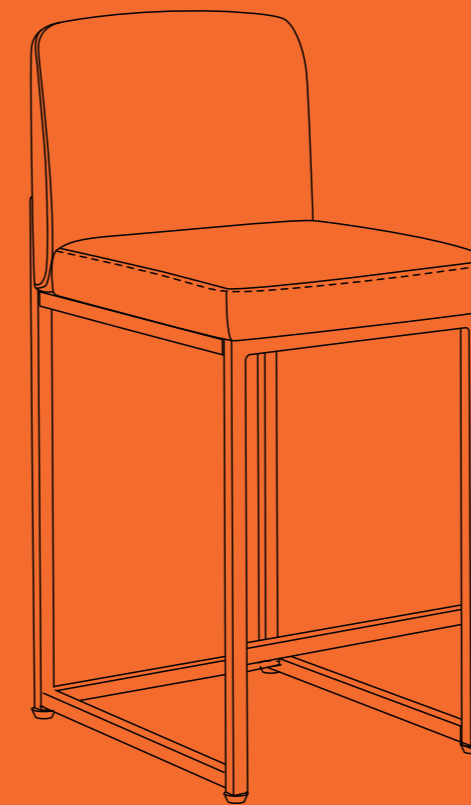
To deodorize the chair, leave it in a shaded and well-ventilated outdoor area for 1-2 days.



For long-term use, periodically retighten all bolts with the provided Allen Key. Do not use an electric screwdriver, as it may damage the chair. Always tighten the bolts manually.

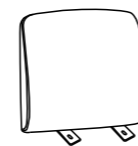


Safety Information

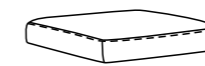


INSTRUCTION MANUAL

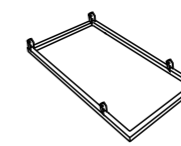
Parts List



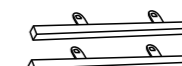
(A)*1



(B)*1



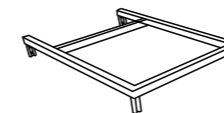
(C)*1



(D)*2



(E)*2



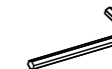
(F)*1



(G)*16
M6 x 14mm

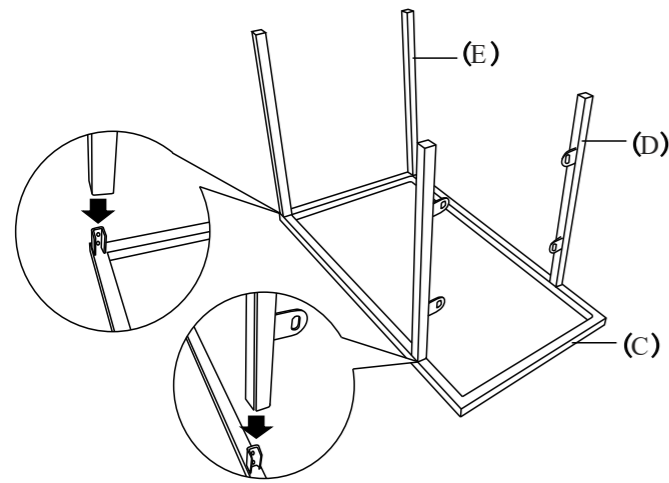


(H)*6
M6 x 20mm

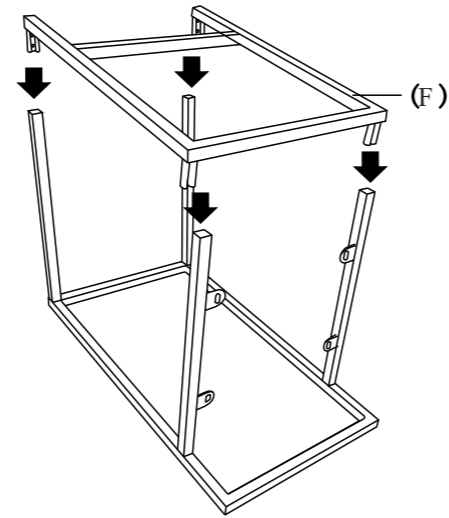


(I)*1

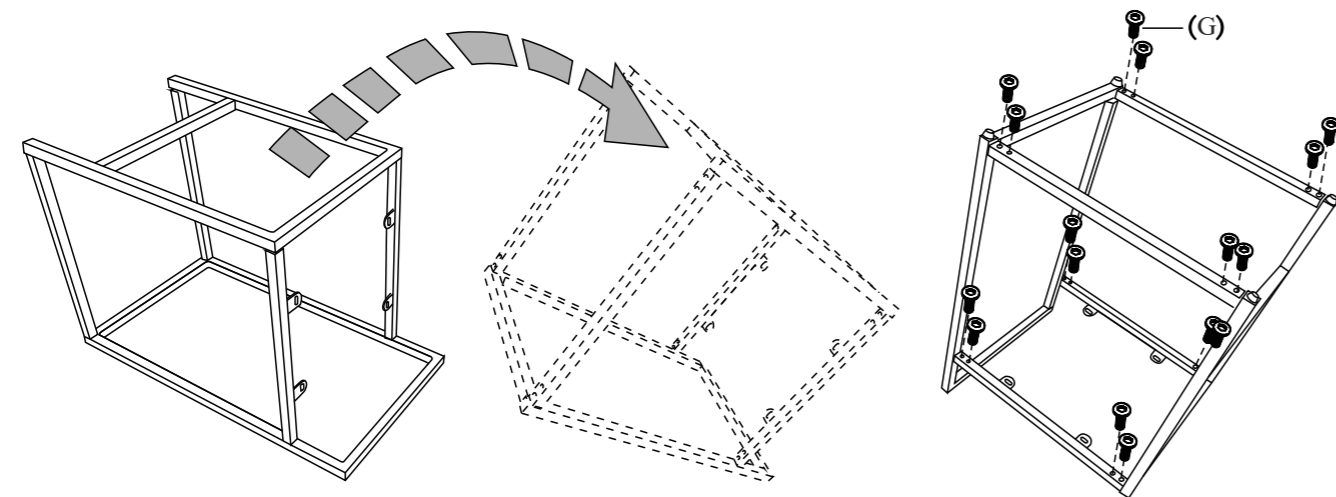
Assembly Instruction



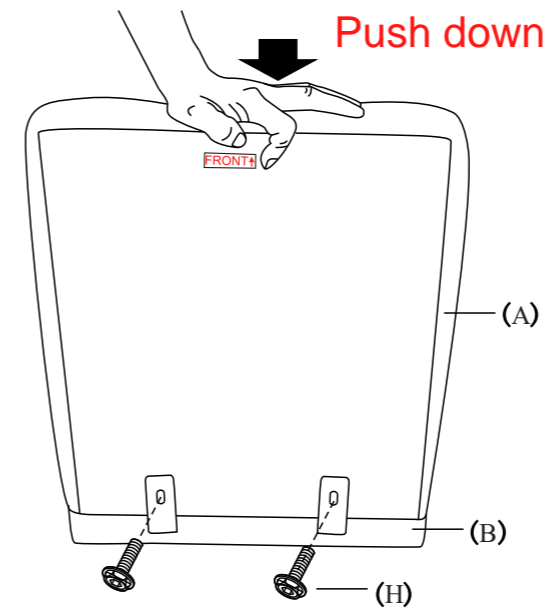
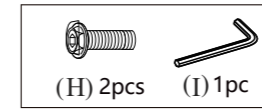
1



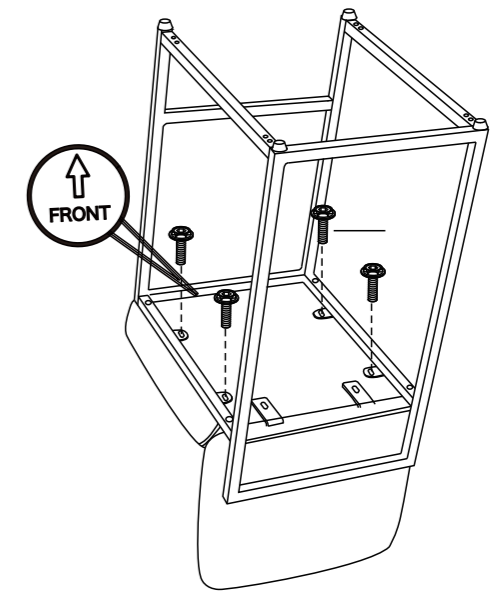
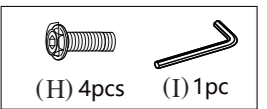
2



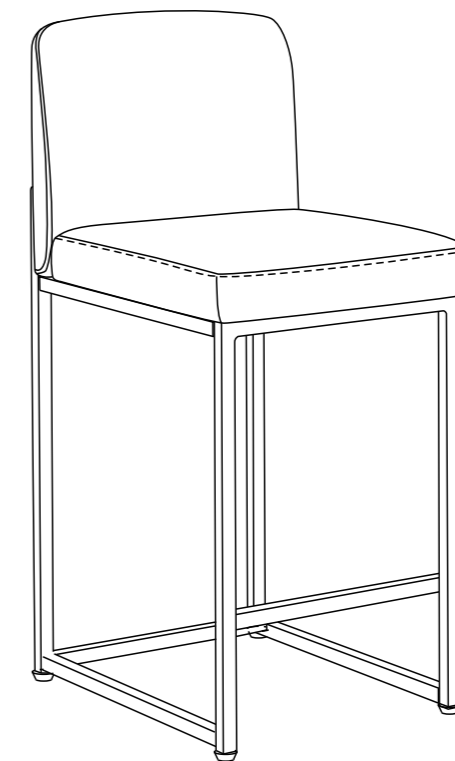
3



4



5



CAUTION:

- * Before using the chair, make sure all bolts are fully tightened.
- * Lubricate moving parts and check all bolts every 6 months, or as needed.