

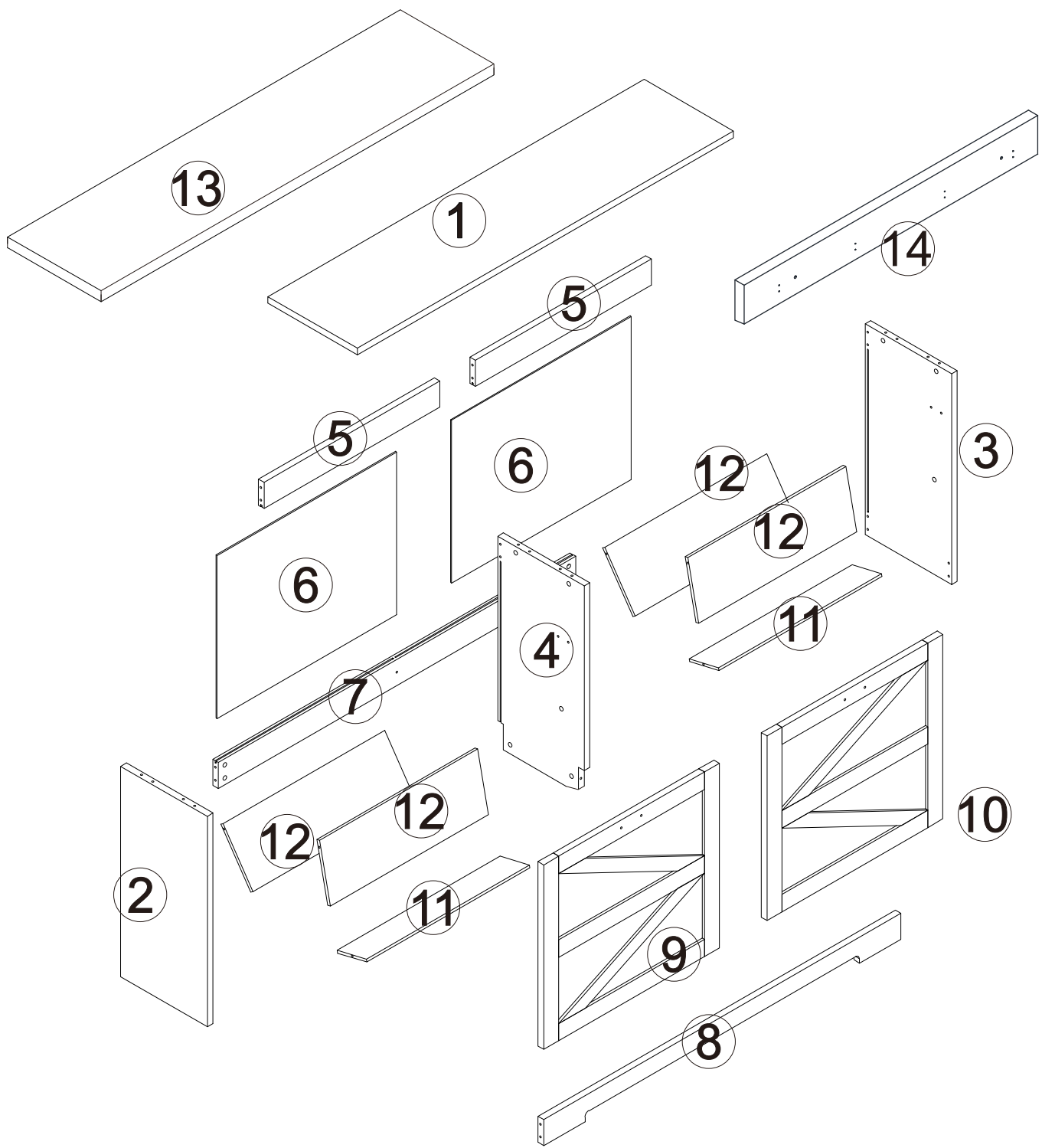
Attention please :


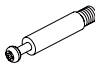
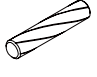




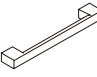

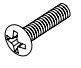


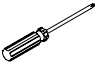
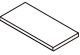
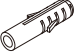
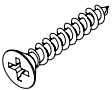


**Improper use of screws may cause the product surface damage!
Please be careful when installing.**

To prevent you from confusing the accessories and boards, Please do not mix the parts of different units when you buy two or more products at the same time.

READ AND SAVE THIS INSTRUCTIONS FOR FUTURE USE

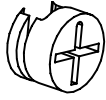
ASSEMBLY & INSTRUCTION MANUAL



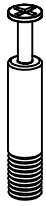
				
Ax24	Bx24	Cx6	Dx12	Ex12
				
Fx4	Gx4	Hx2	Ix4	Jx4
				
Lx2	Rx2	K x 1	Mx2	Nx2
				
Ox2	Px4	Qx8		

How to use furniture connector cam lock screw and fitting?

Eccentric wheel(A)

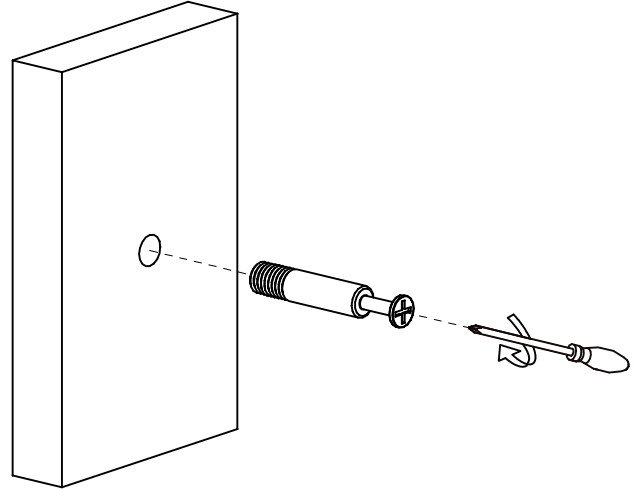


Dowel(B)



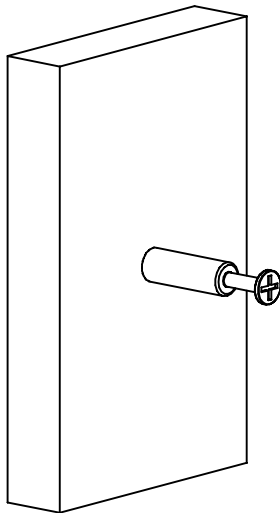
1

Use screwdriver to attach
dowel into pre-inserted nut



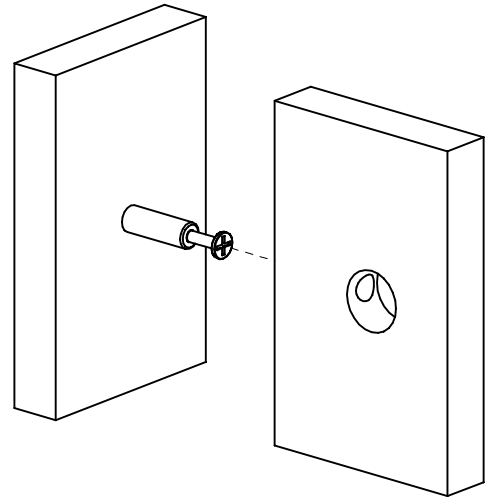
2

Step 1 completed



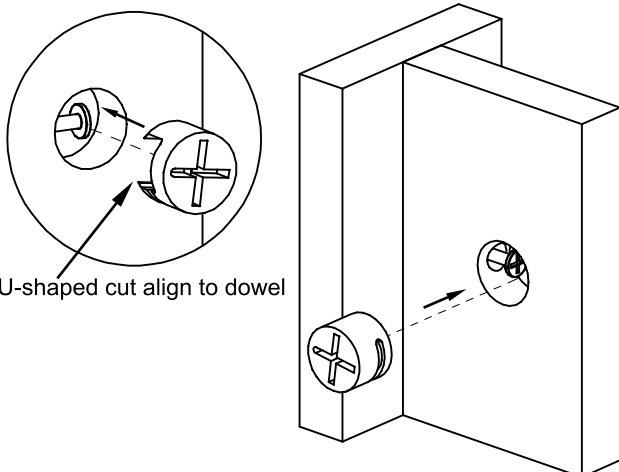
3

Attach dowel into hole on fitting board



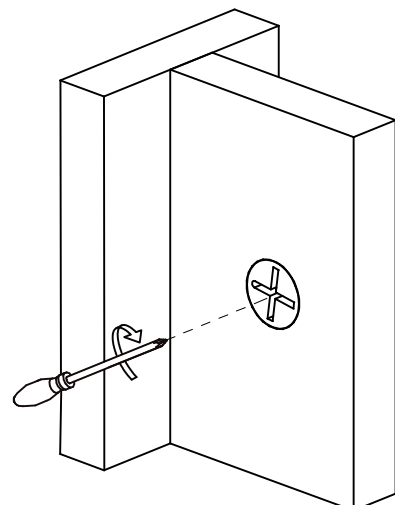
4

Put eccentric wheel (cam lock fitting) into hole

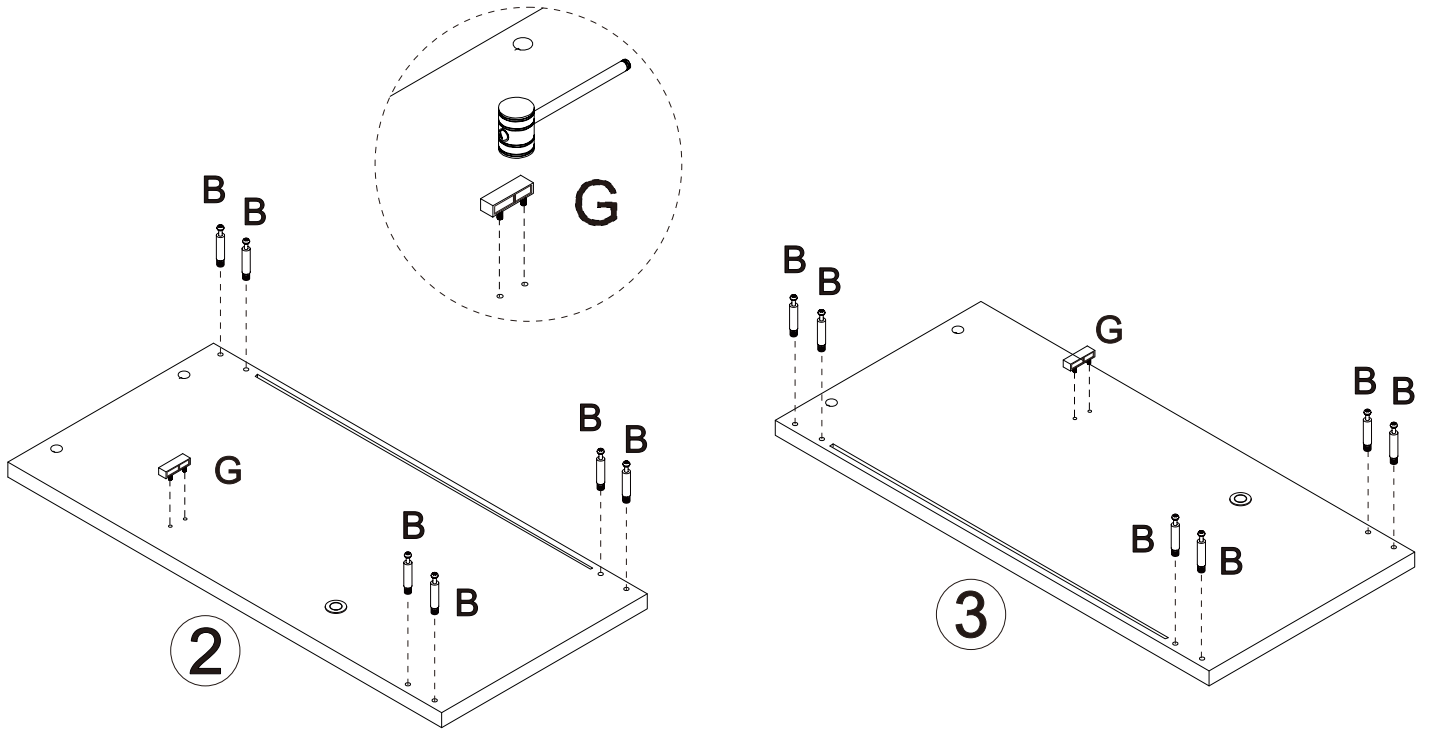




5

Tighten: Turn the eccentric wheel clockwise
Loosen: Turn it anticlockwise

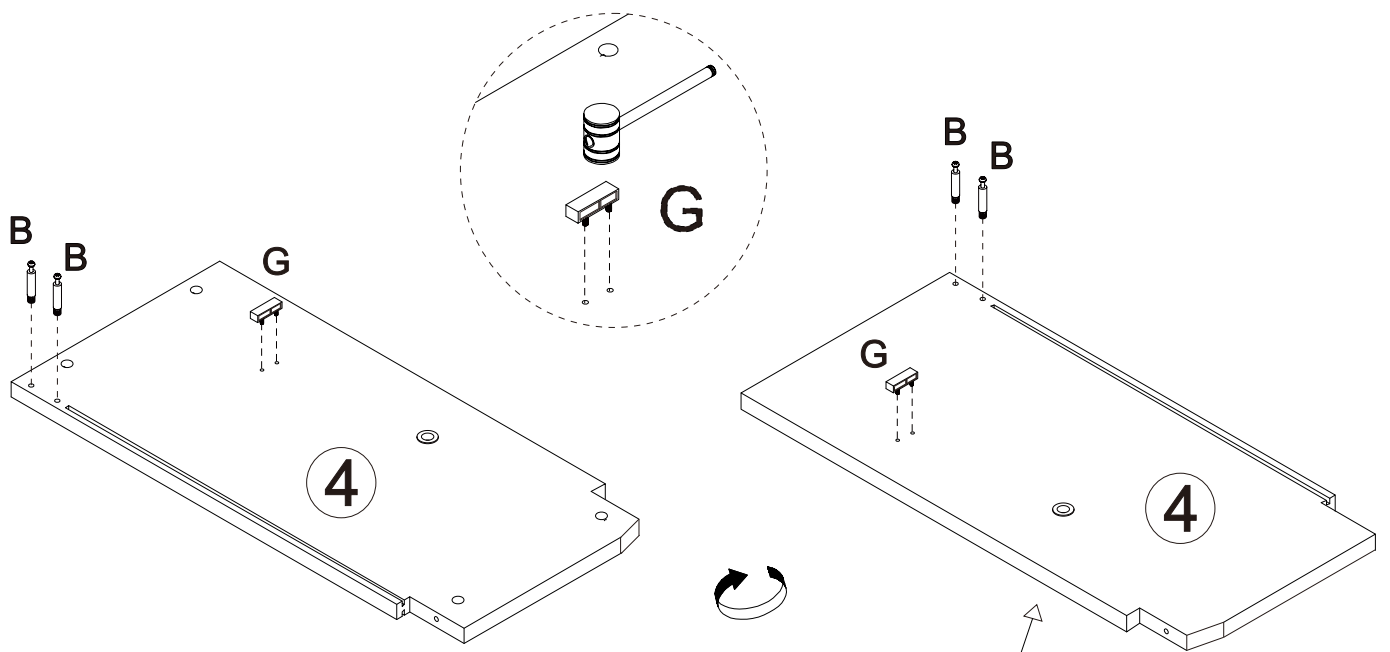


Step 1





	Bx12
	Gx2

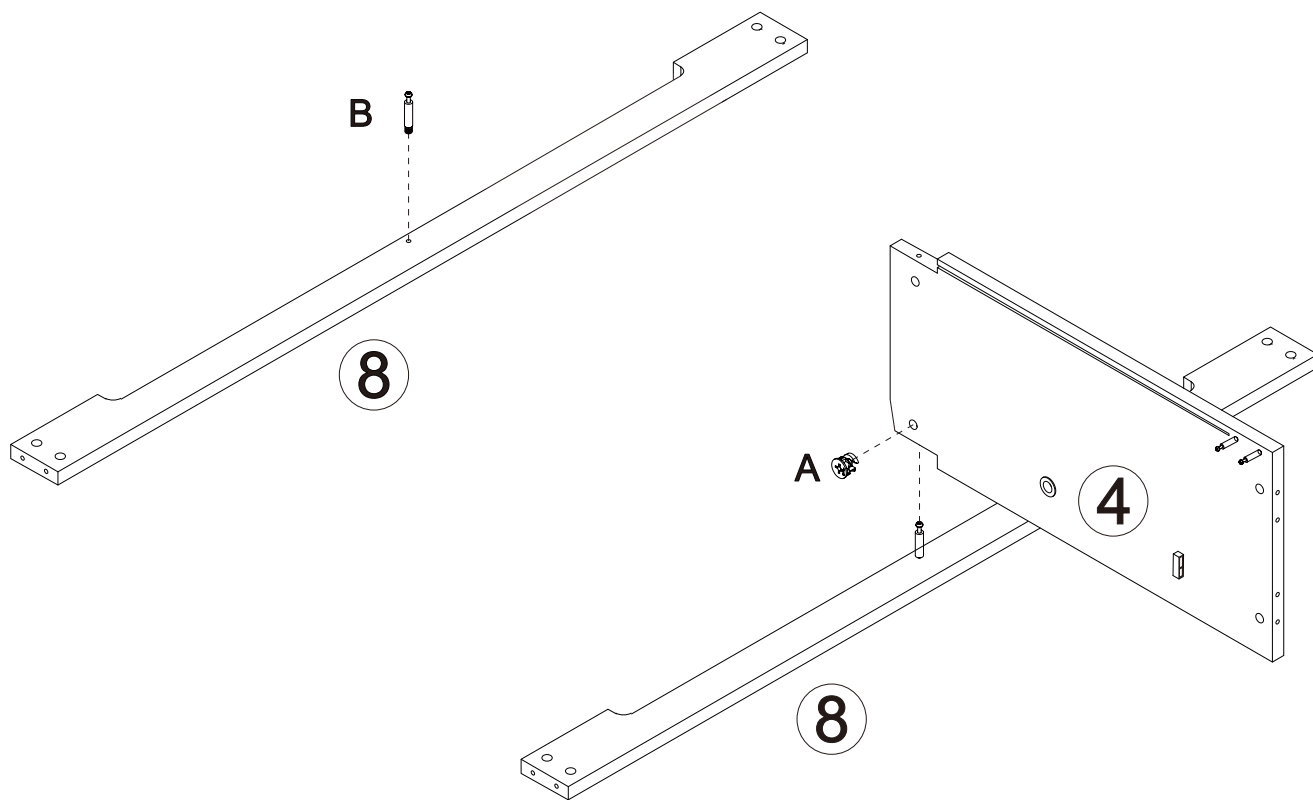
Step 2





This is the installation of the other side of Part #4.

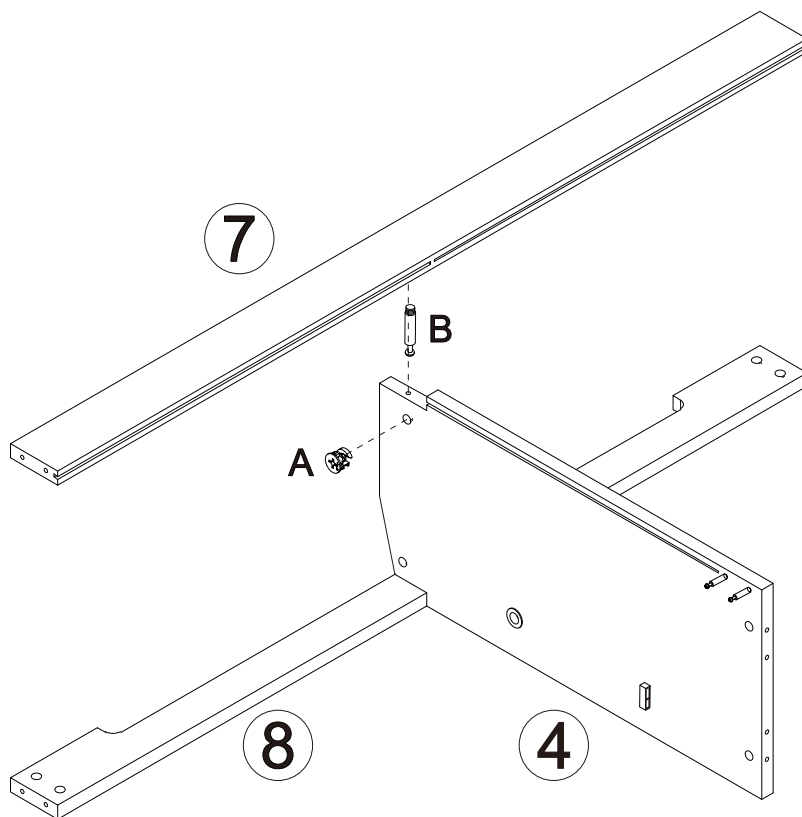
	Bx4
	Gx2



Step 3



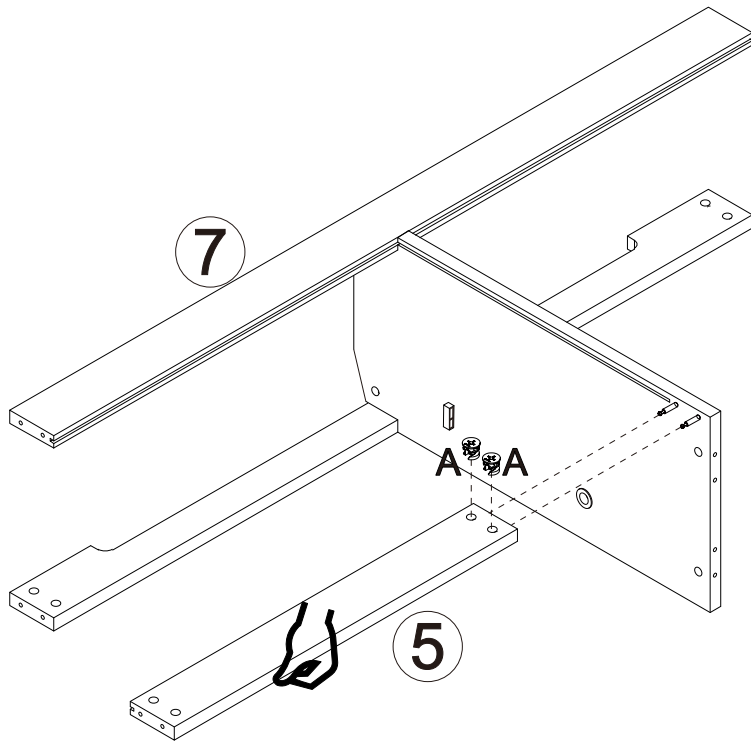
	Ax1
	Bx1

Step 4



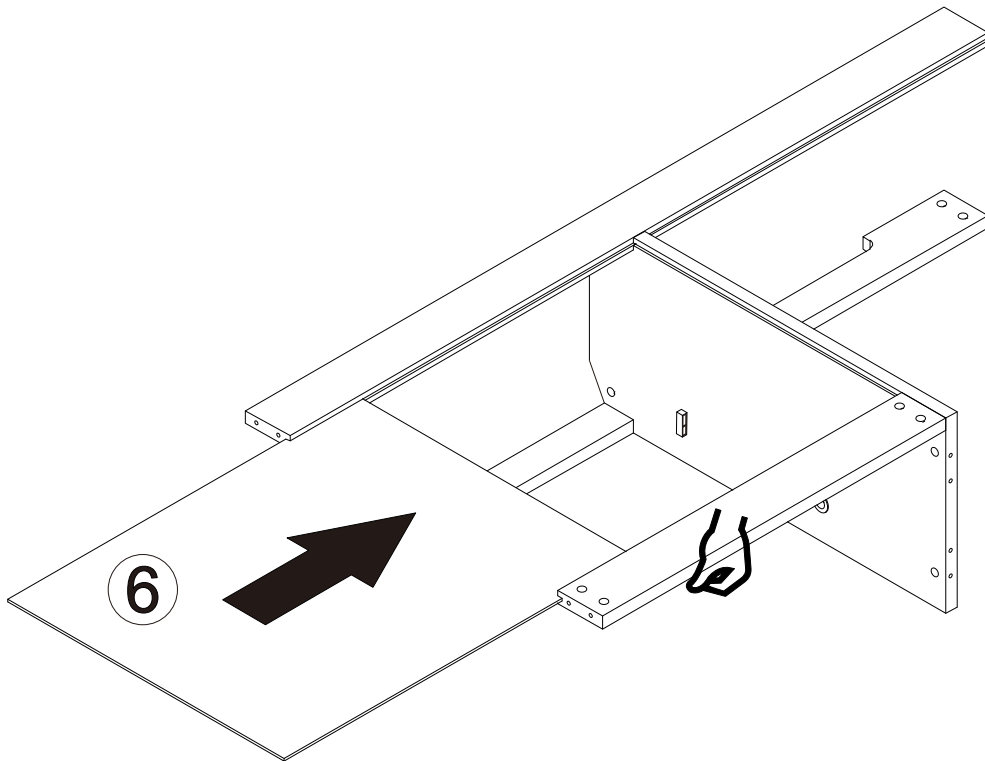
	Ax1
	Bx1

Step 5

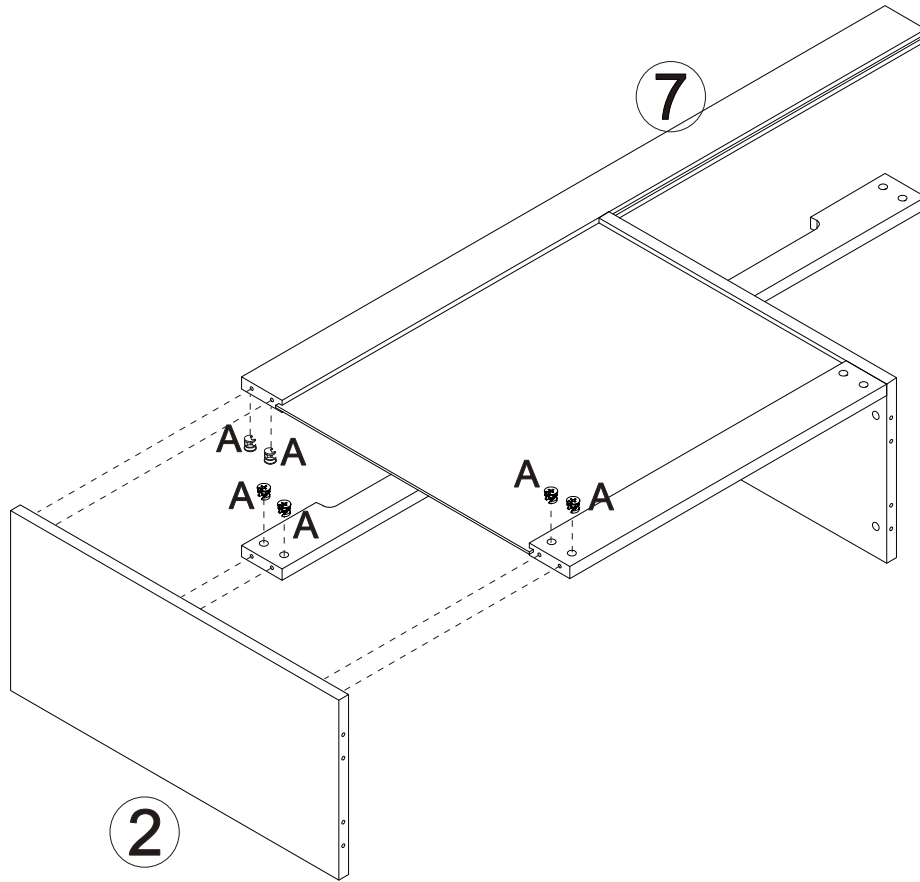


Ax2

Step 6

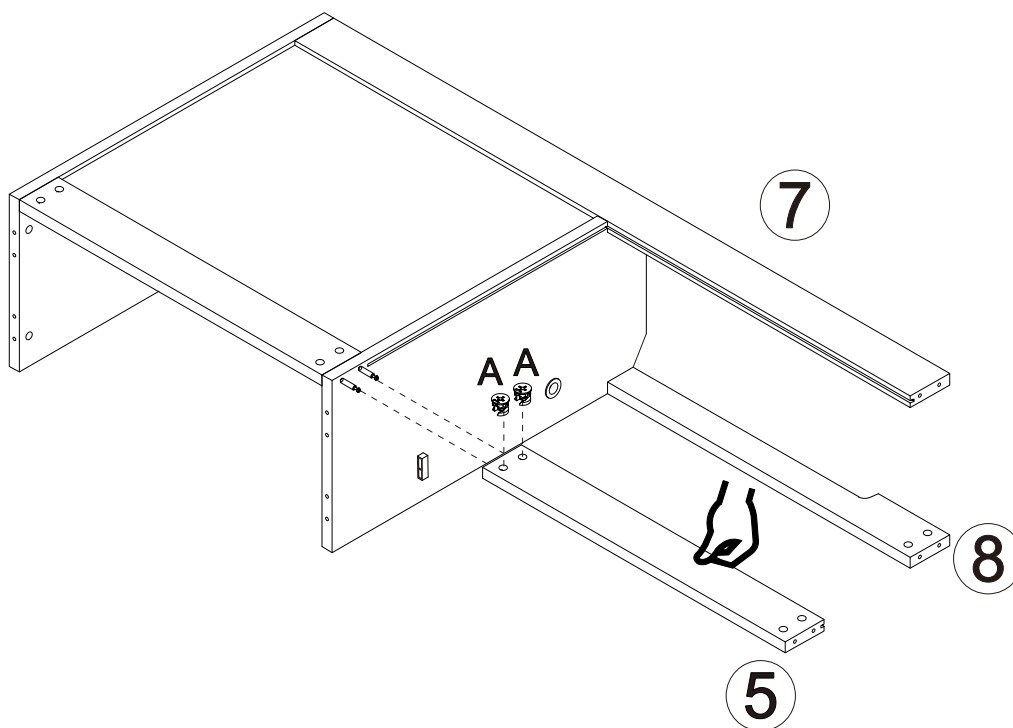


Step 7



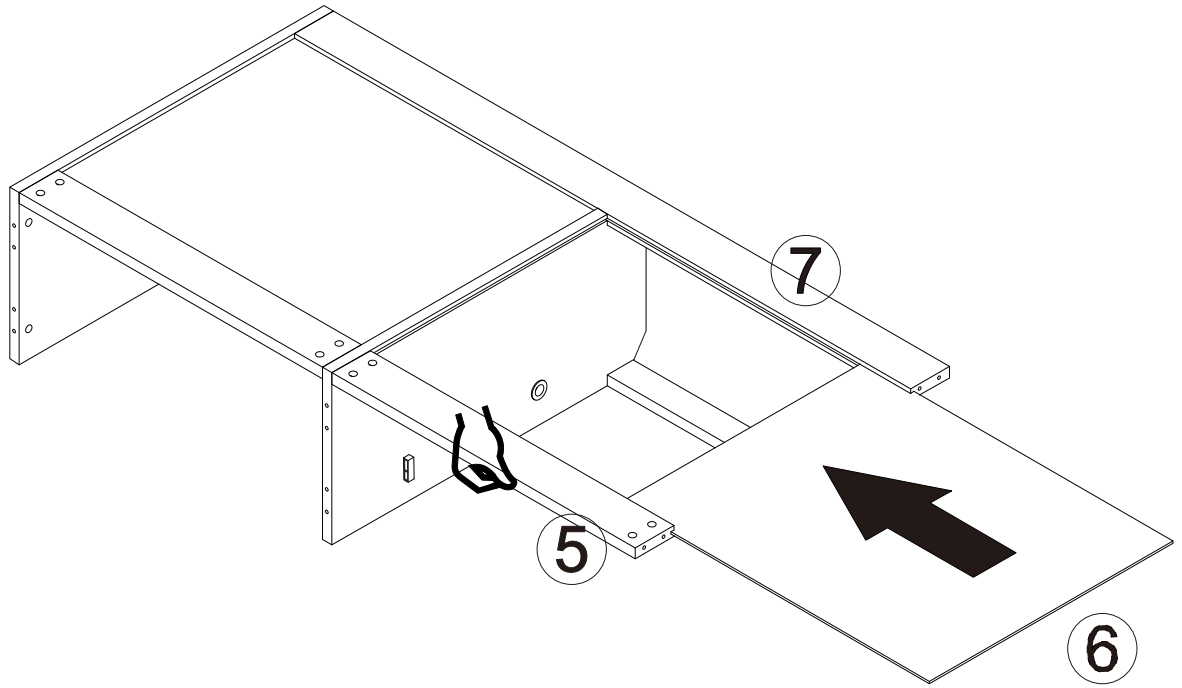
Ax6

Step 8

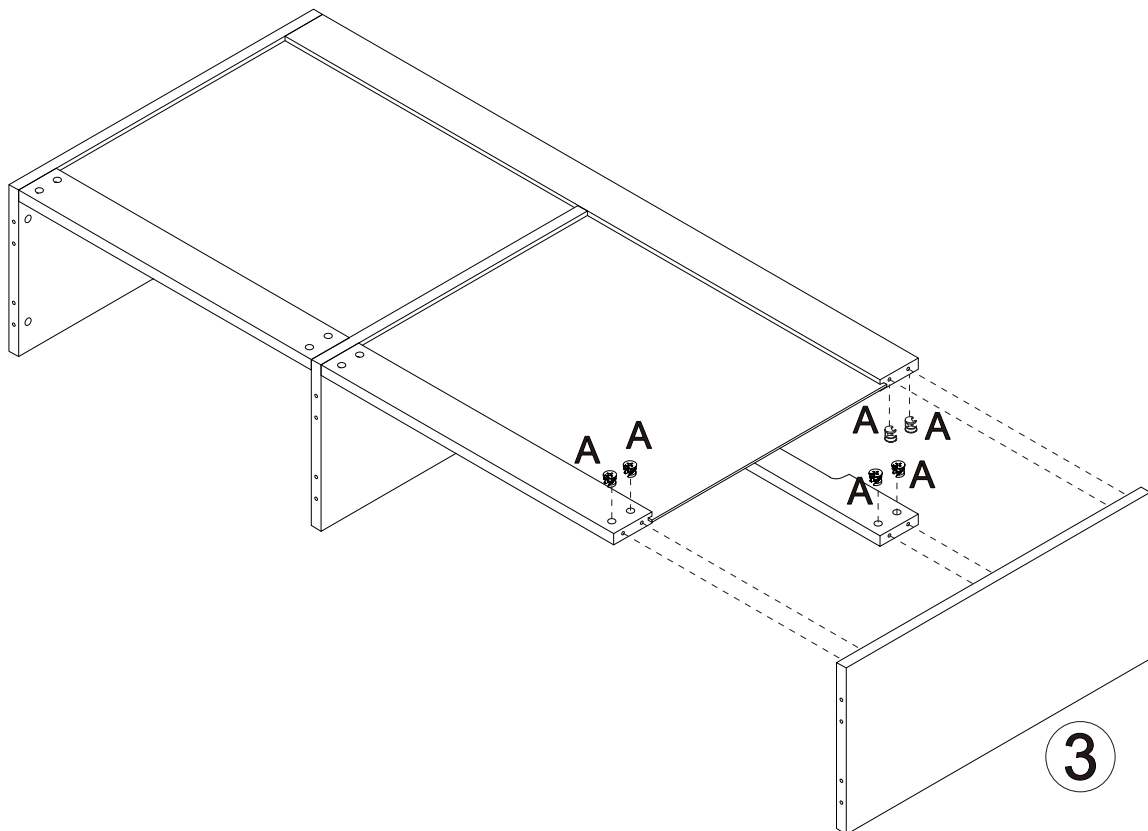


Ax2

Step 9



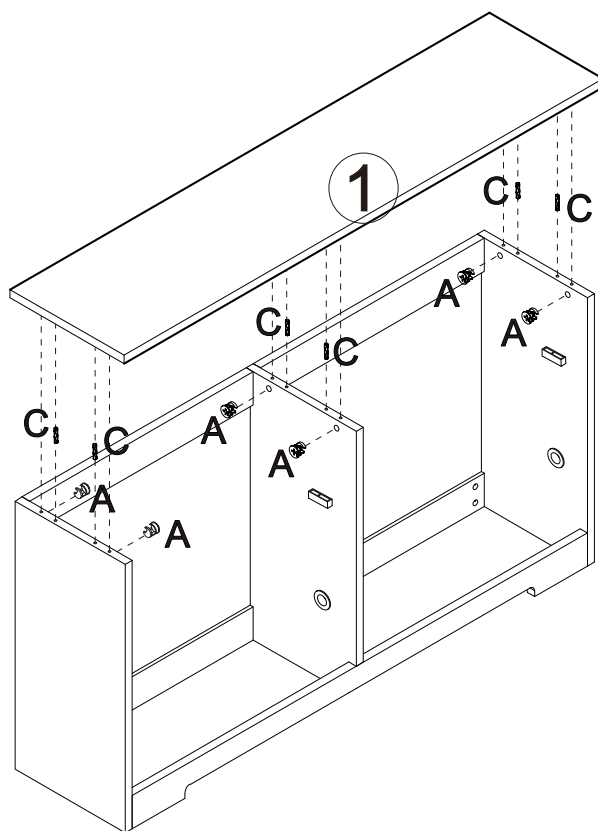
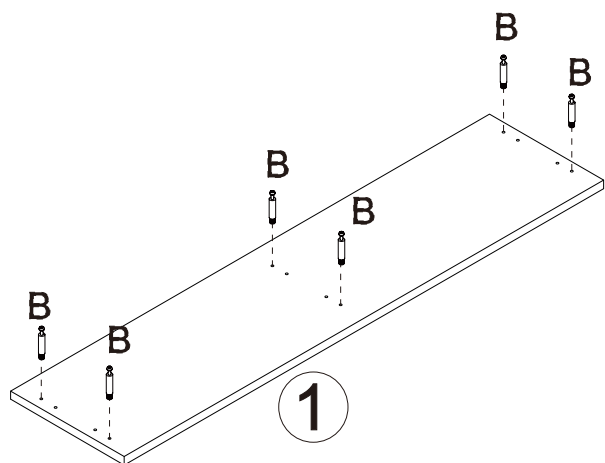
Step 10






Ax6

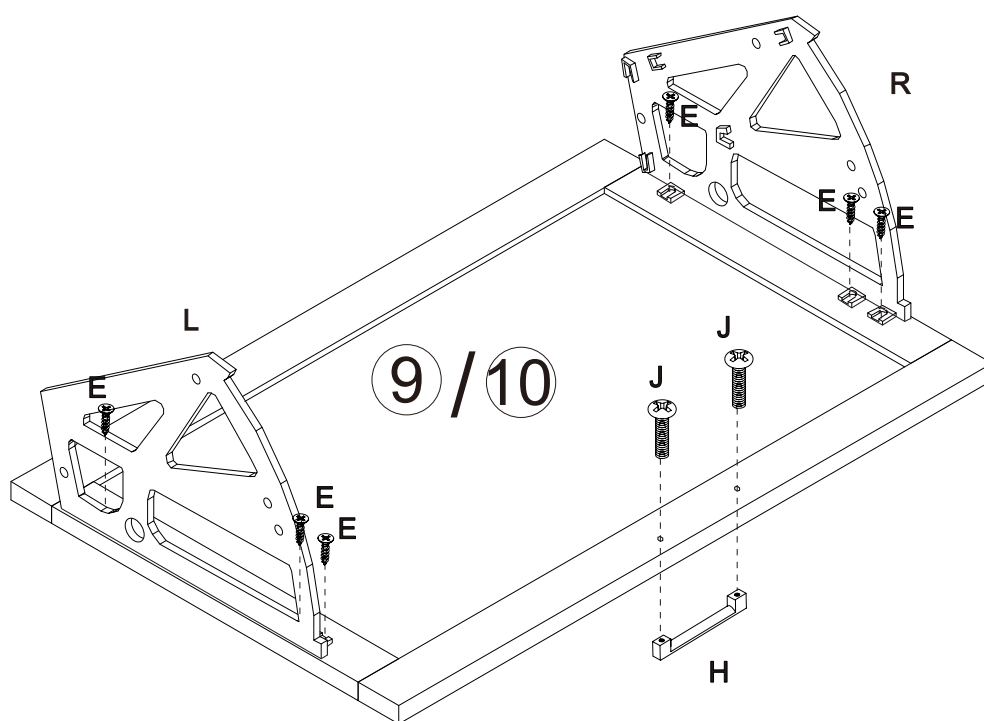
3






Step 11



	Ax6
	Bx6
	Cx6

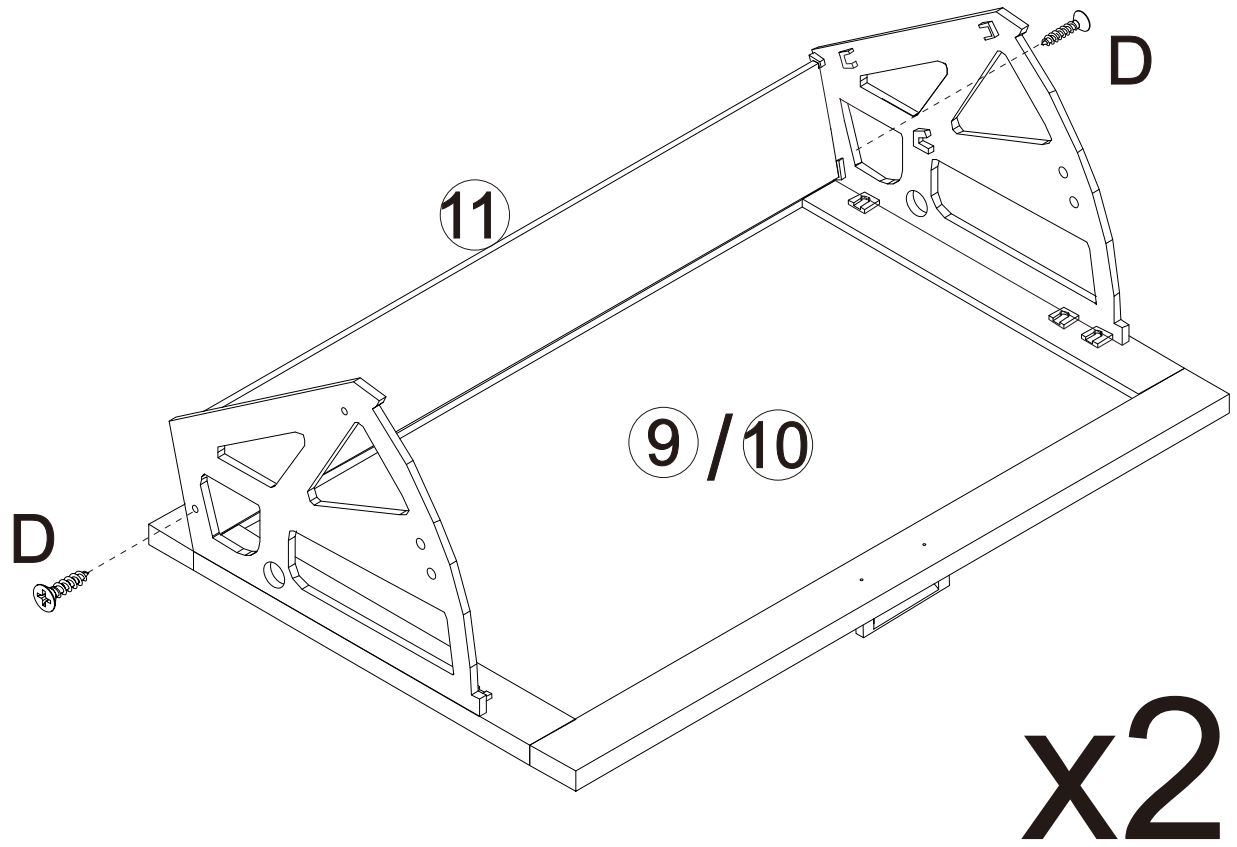
Step 12



	Ex12		
	Hx2		Lx2
	Jx4		Rx2

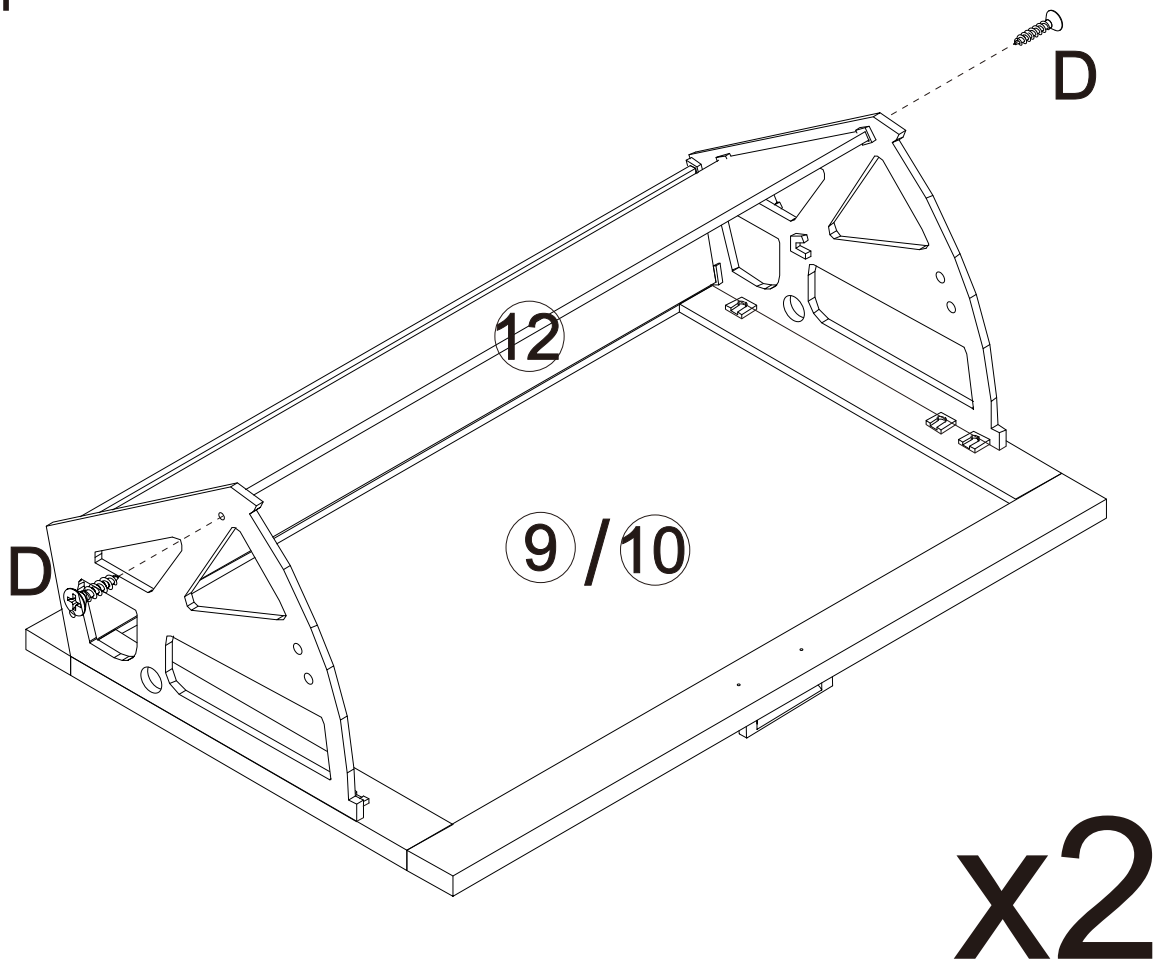
x2

Step 13



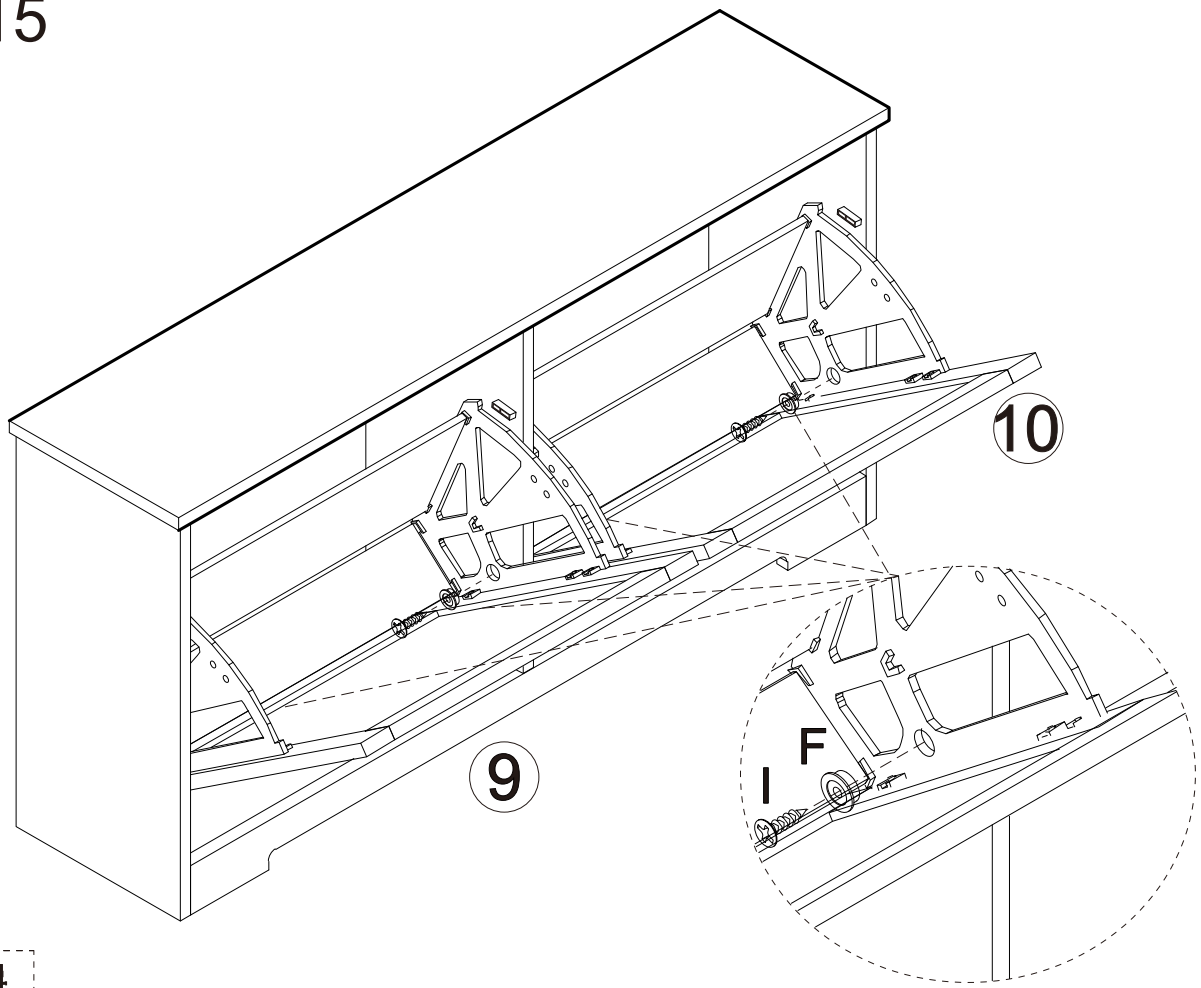
Dx4

Step 14



Dx4

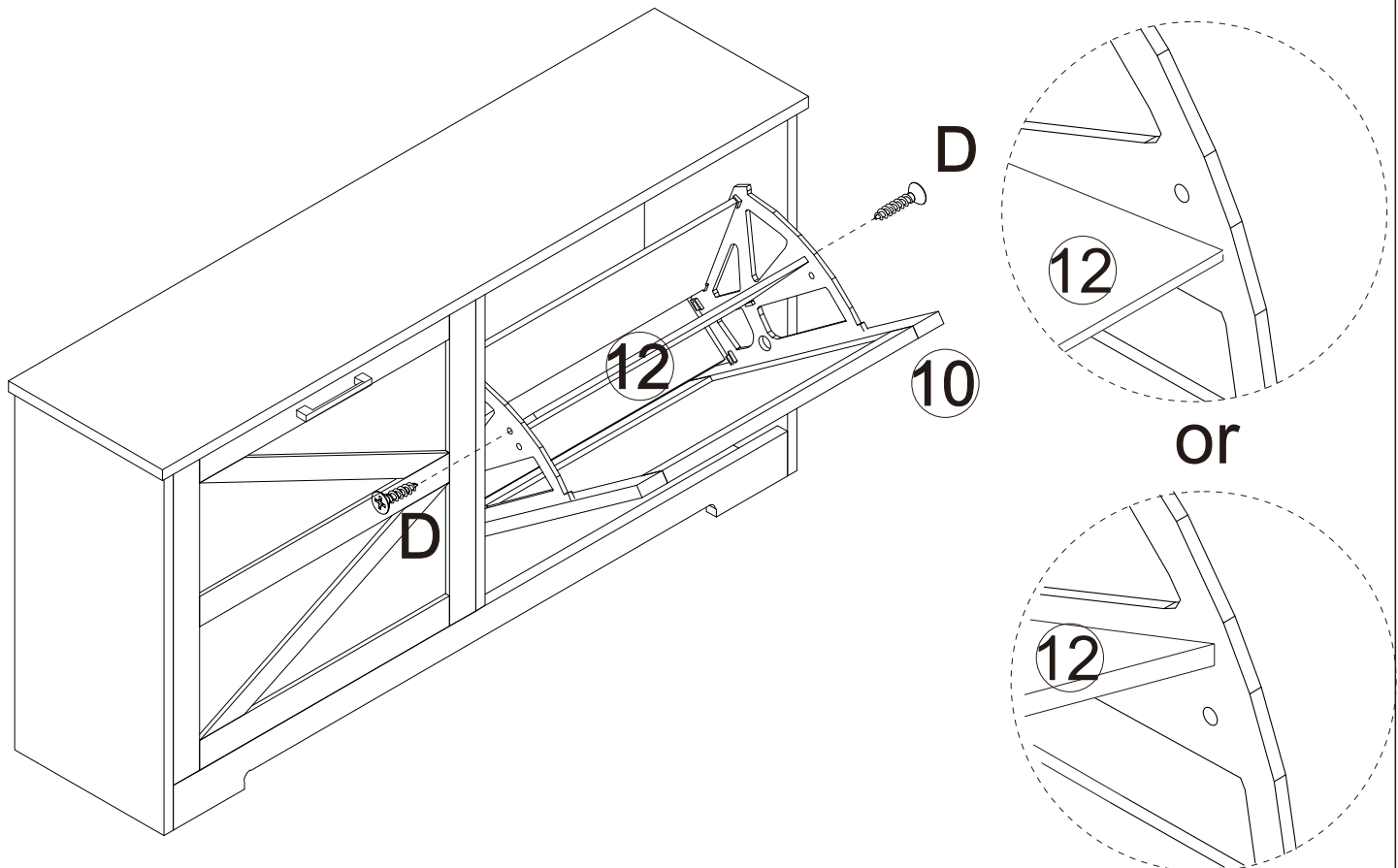
Step 15



 Ix4

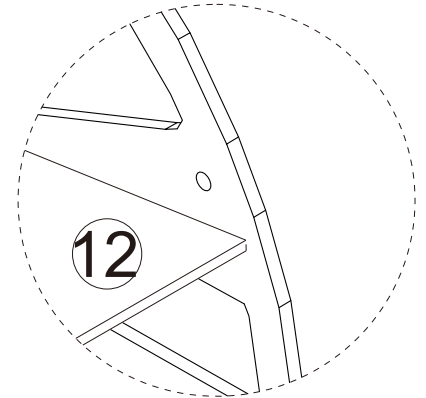
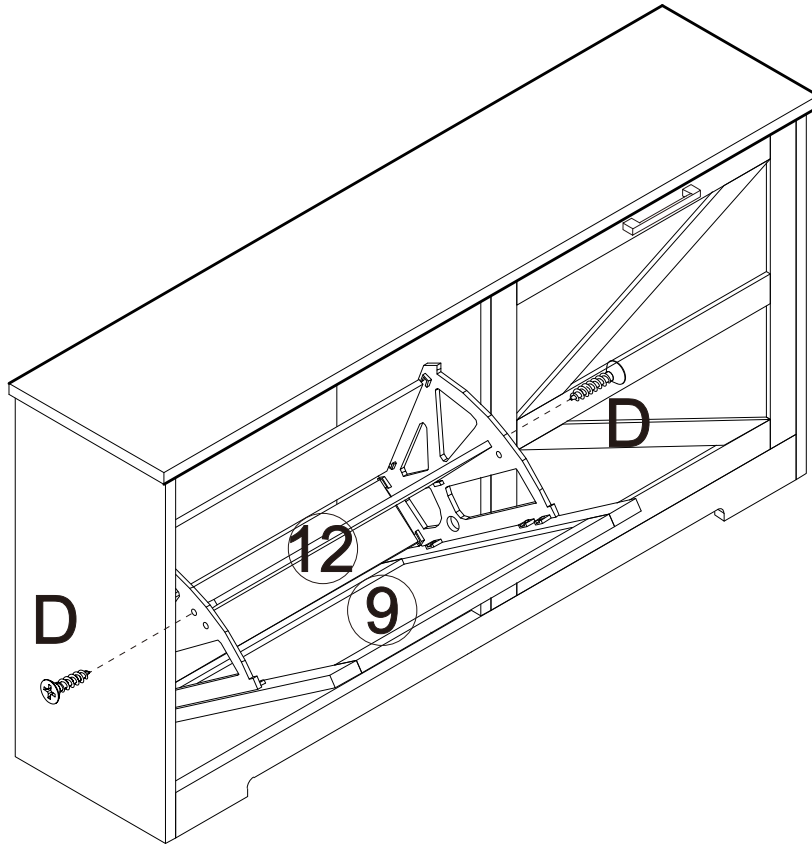
 Fx4

Step 16

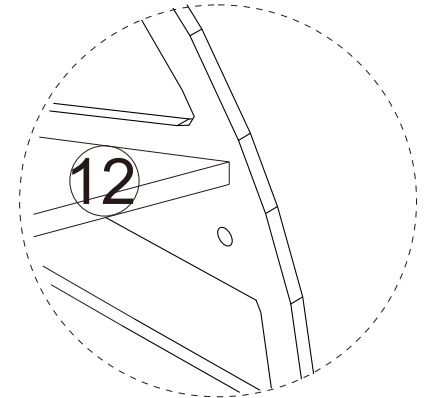


 Dx2

Step 17

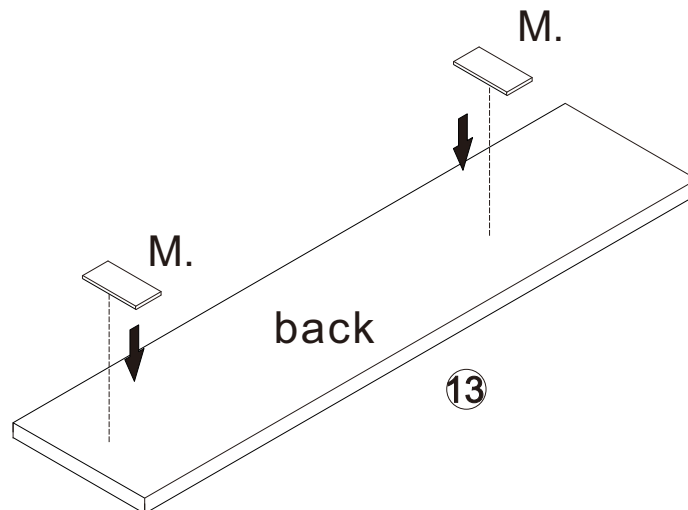


or



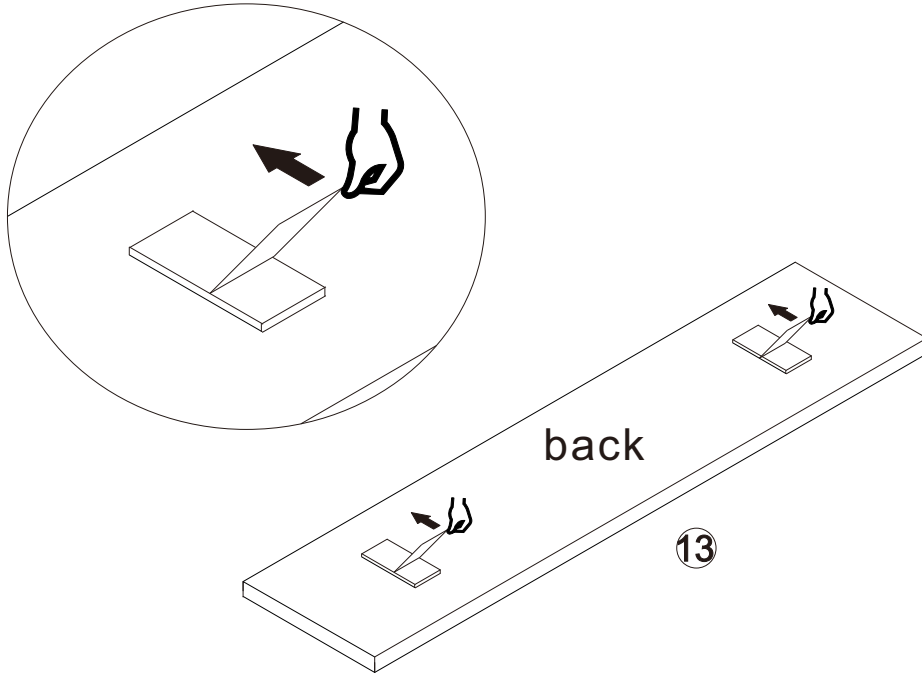
Dx2

Step 18

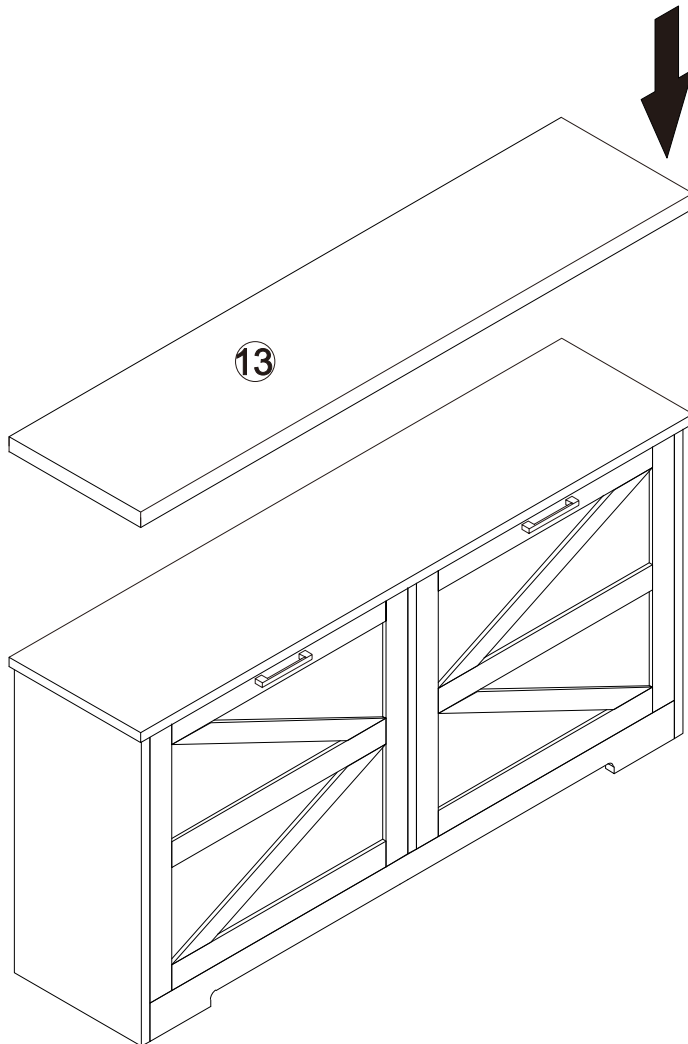


Mx2

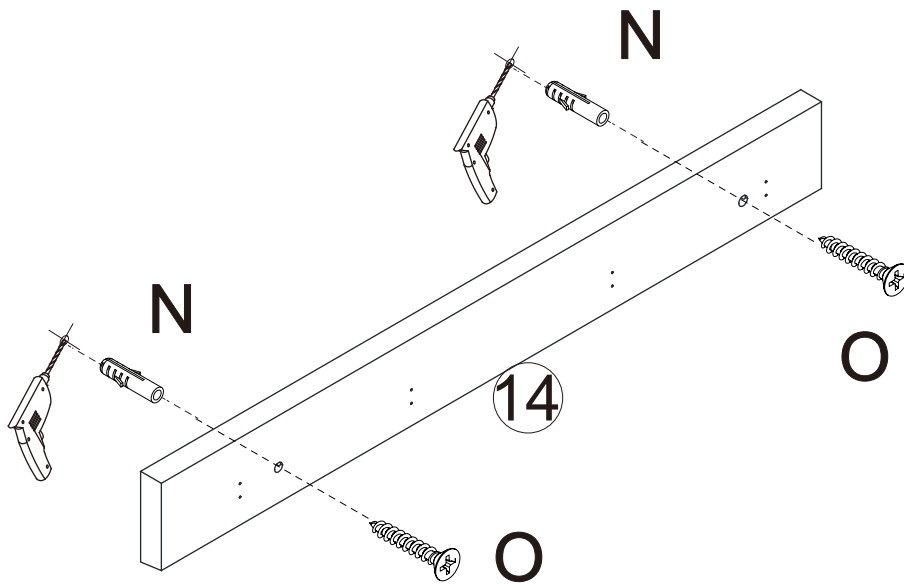
Step 19



Step 20

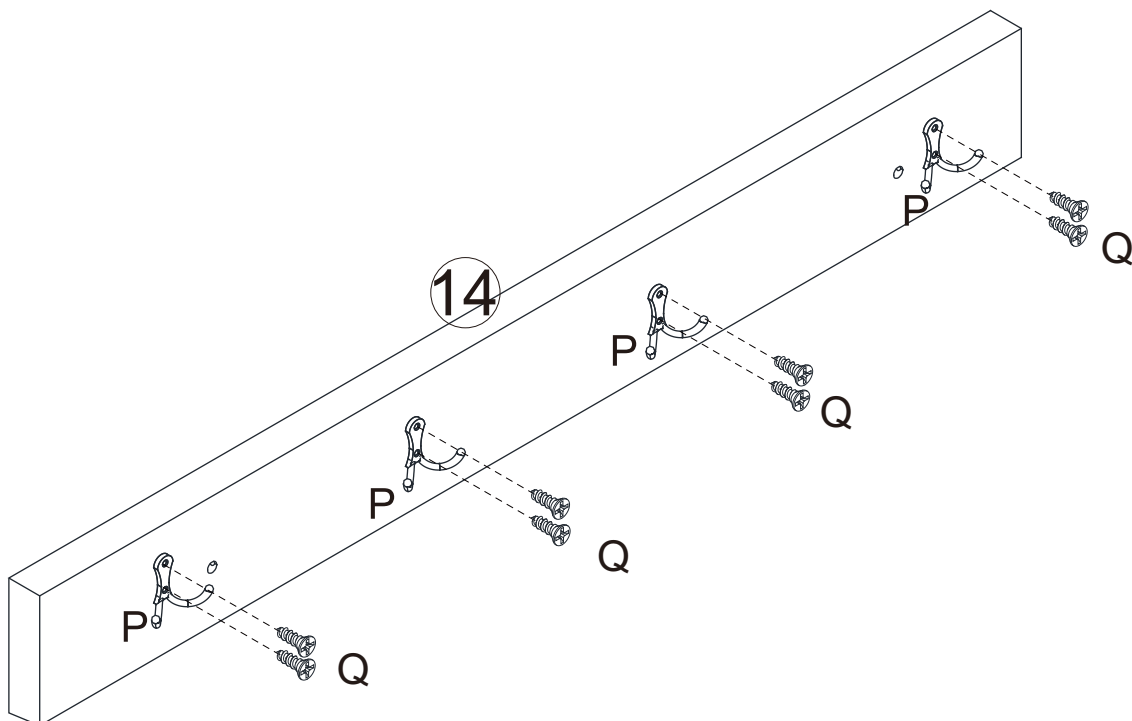




Step 21



	Ox2
	Nx2

Step 22



	Px4
	Qx8