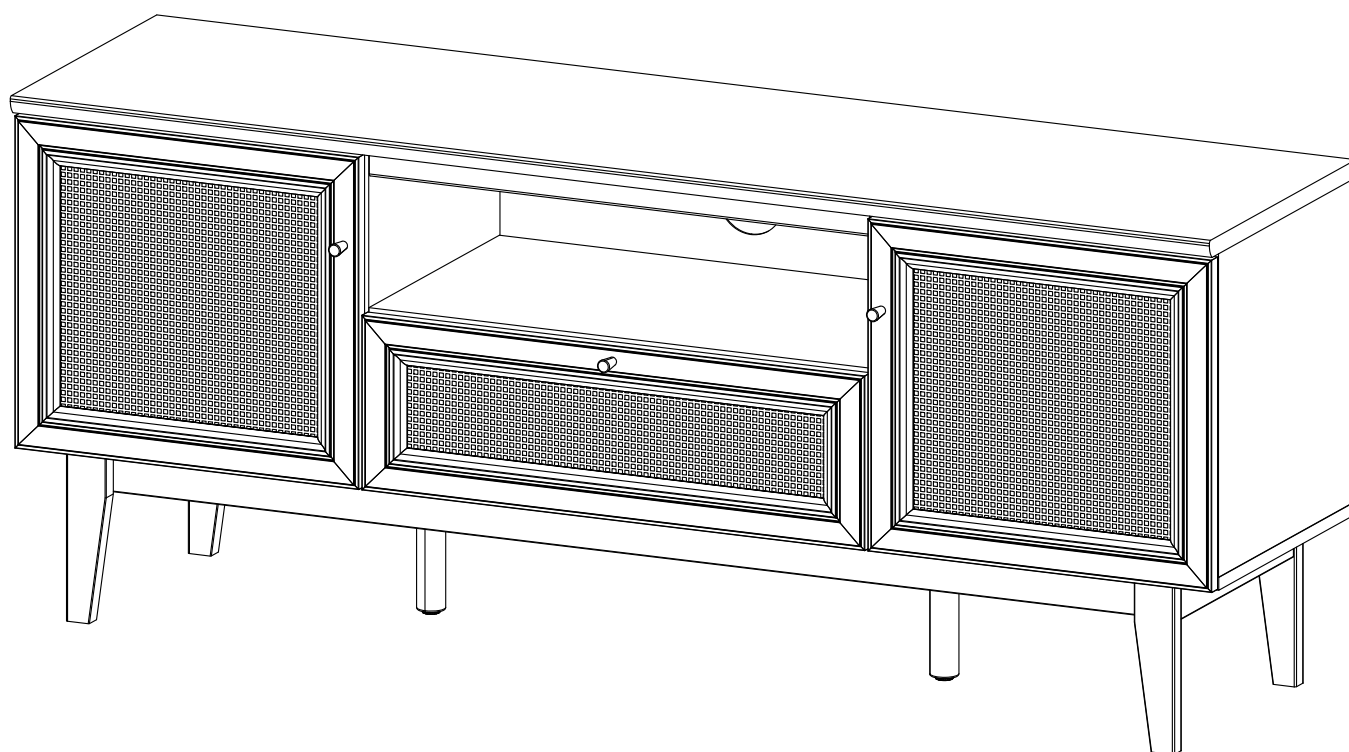


Product Dimensions: 59"Wx15"Dx24"H



 WARNING :

WEIGHT CAPACITY: 84 LBS

SHELF LOAD CAPACITY: 20 LBS

DRAWER LOAD CAPACITY: 29 LBS

Warning : Do not stand on Tv stand.

Warning : Do not over torque bolts.

WARNING

Inspect item carefully before attempting to install if there is any damage or obvious defect, do not install item may not be returned once it has been installed.

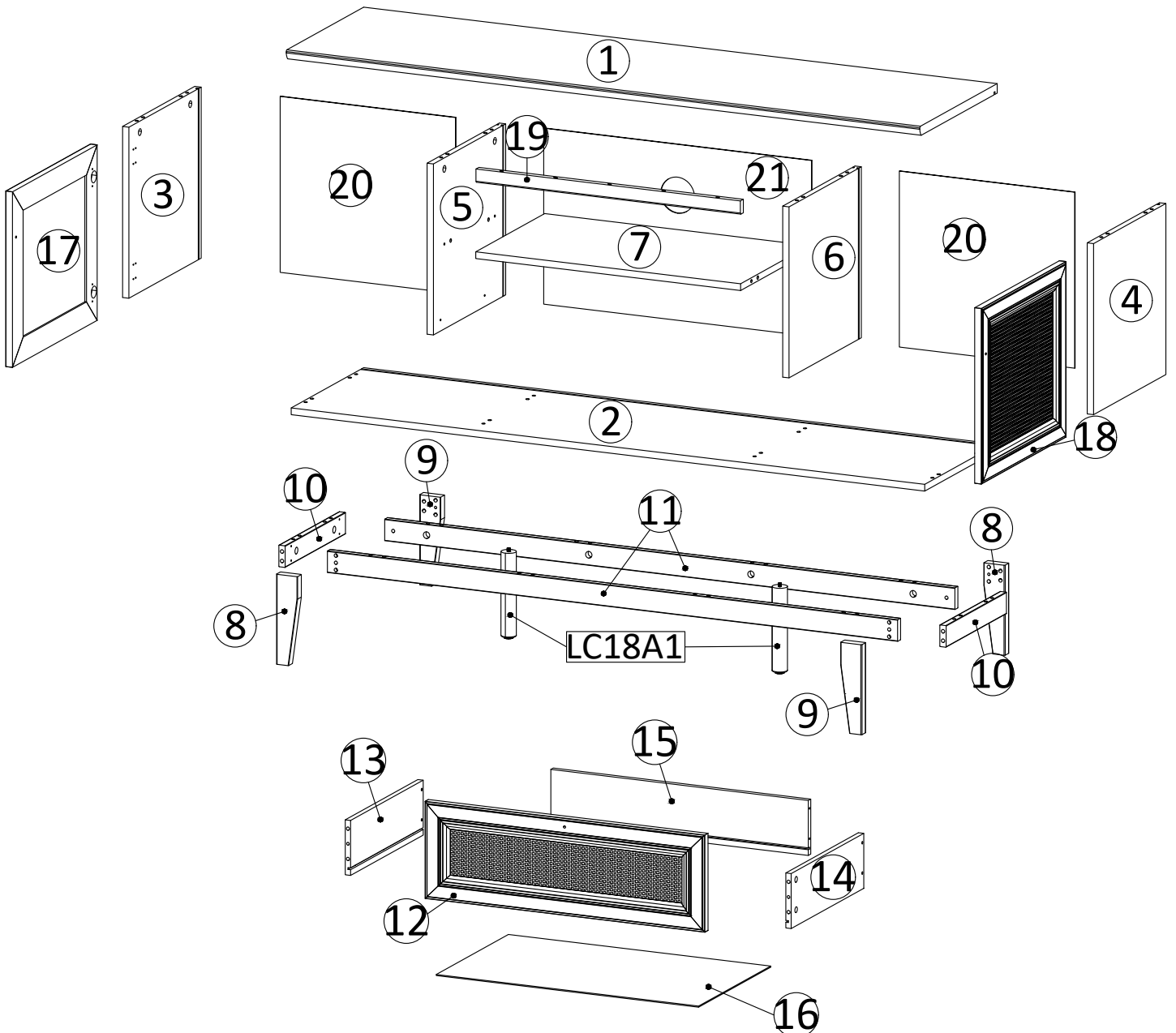
CARE AND MAINTENANCE

Always use felt pads under all articles to prevent discoloration or softening of the lacquer. Plastic and rubber bases on items can discolor wood. Wipe up spills immediately and avoid common hazards such as hot dishes, harsh solvents and abrasives. Cleaning should be done with a soft lint free cotton cloth dampened with water or furniture polish. On highly used surfaces we recommend applying a quality paste wax which should be used on a regular basis to provide additional protection from scratches and spills. How often you apply the wax depends on how much wear the furniture receives.

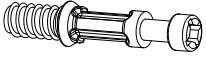





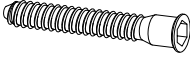
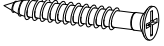

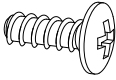
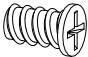
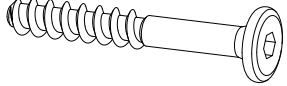
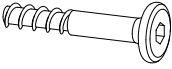
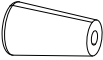
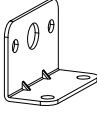





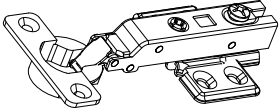
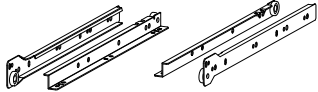
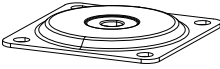
NOTICE & IMPORTANT SAFETY INSTRUCTIONS

Please make sure that you have all parts indicated before you begin assembly of this item

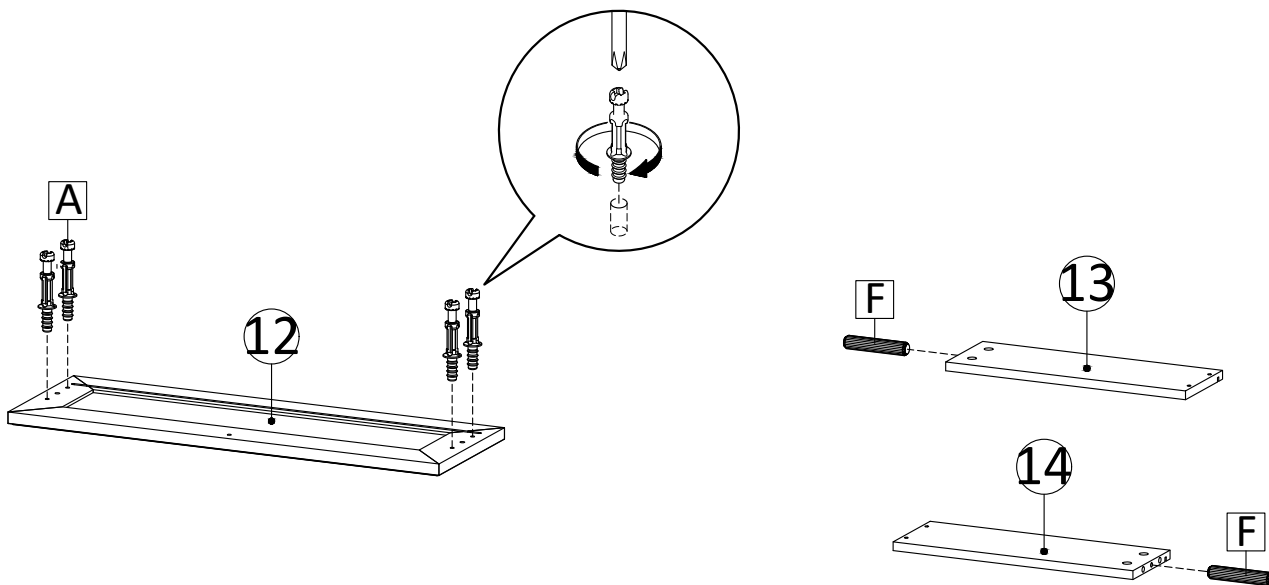
- * This item should be assembled on a soft surface to prevent scratching the finish during assembly.
- * This item may require periodic tightening.

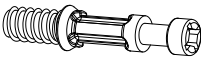
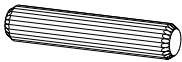


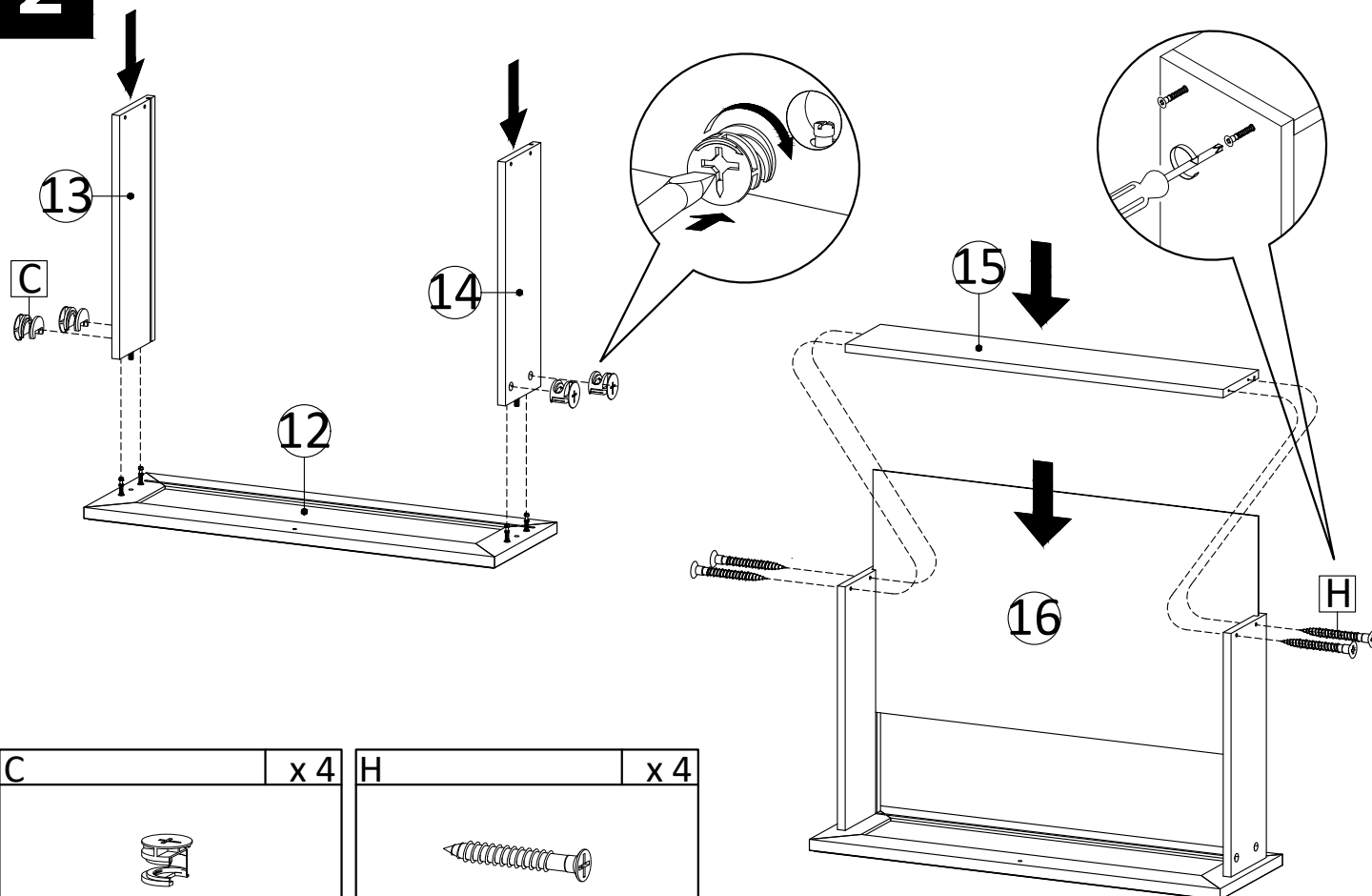
Hardware


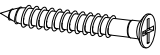
<p>A x 28</p> 	<p>B x 24</p> 	<p>C x 4</p> 	<p>D x 50</p> 
<p>E x 18</p> 	<p>F x 2</p> 	<p>G x 8</p> 	<p>H x 4</p> 
<p>I x 6</p> 	<p>J x 40</p> 	<p>K x 4</p> 	<p>L x 3</p> 
<p>M x 4</p> 	<p>N x 3</p> 	<p>O x 4</p> 	<p>P x 4</p> 
<p>Q x 8</p> 	<p>R x 3</p> 	<p>S x 2</p> 	<p>T x 18</p> 
<p>HS26A x 4</p> 	<p>RM35A x 1</p> 	<p>PM2 x 2</p> 	

 <p>SET-UP TIME : 60 MINUTES</p>	 <p>NUMBER OF PERSONS : 02</p>	 <p>TOOLS :</p>
--	---	--

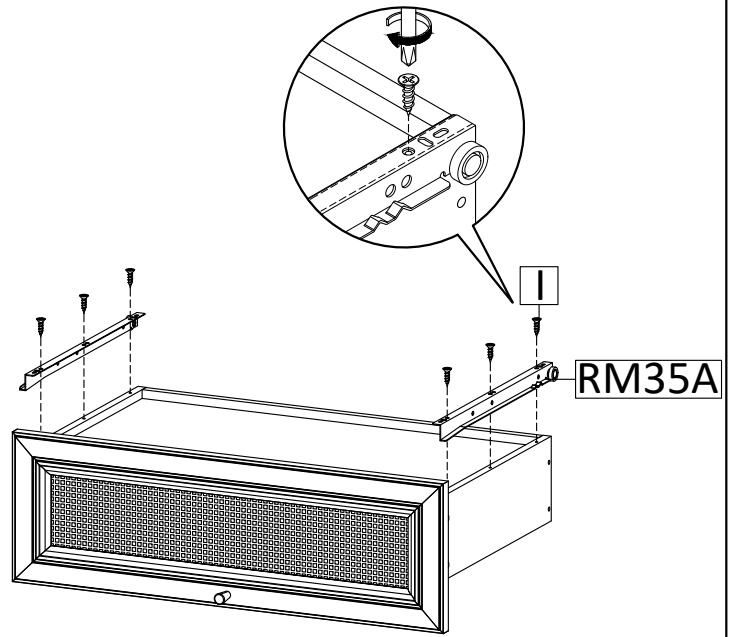
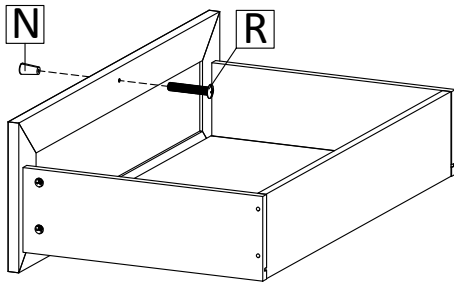
1

A	x 4	F	x 2
			

2

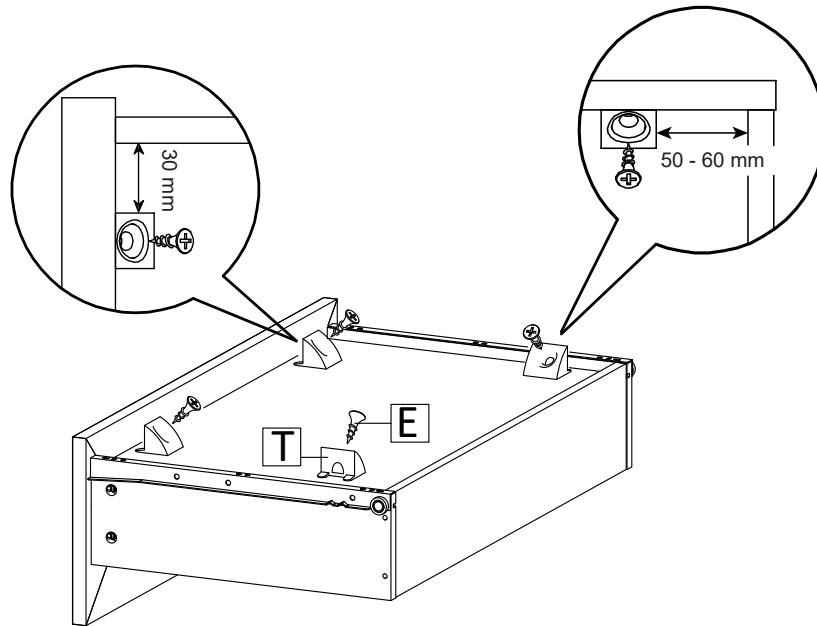
C	x 4	H	x 4
			

3



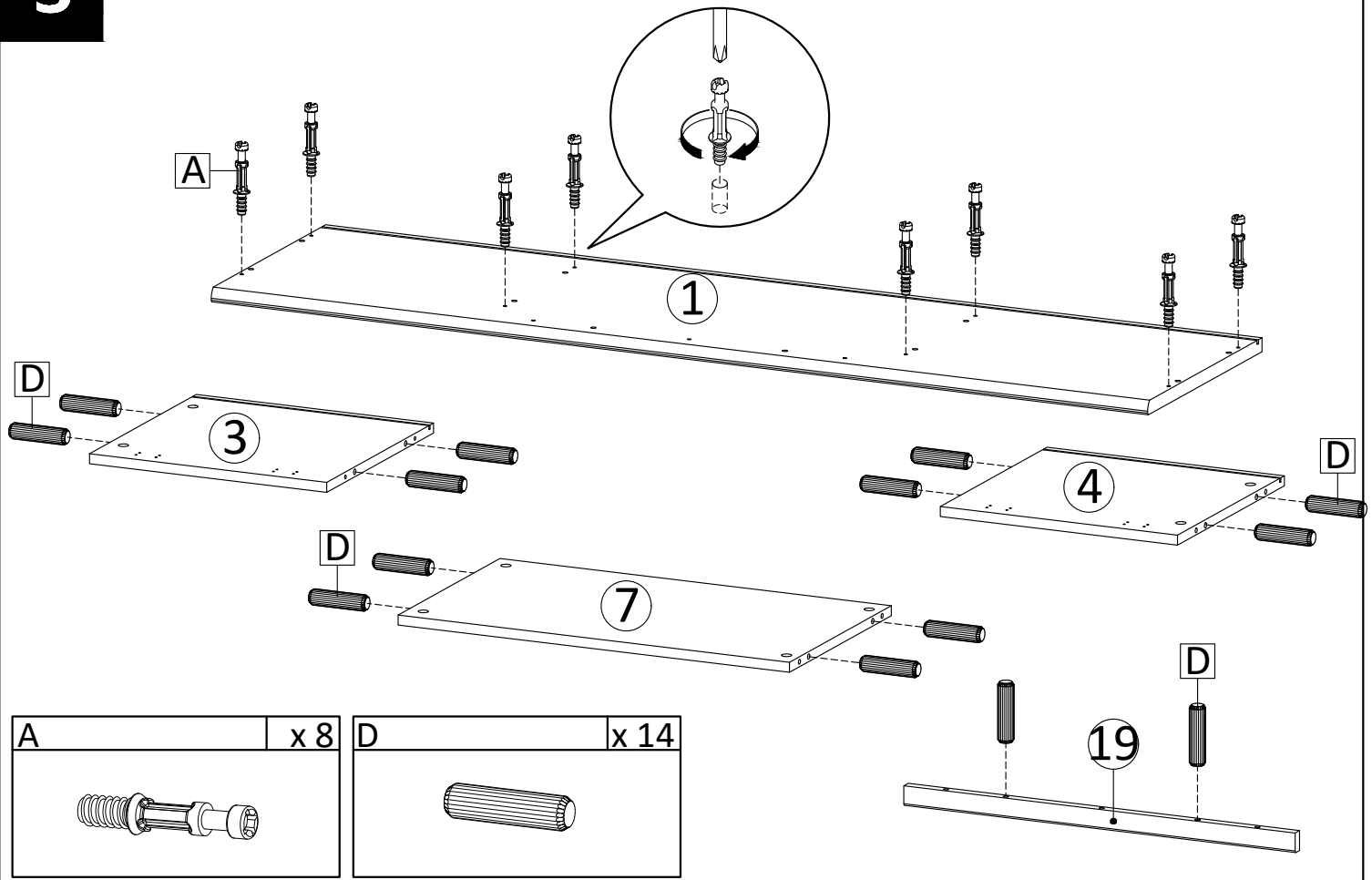
I	x 6	N	x 1	R	x 1	RM35A	x 1

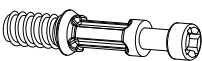
4




E	x 4	T	x 4

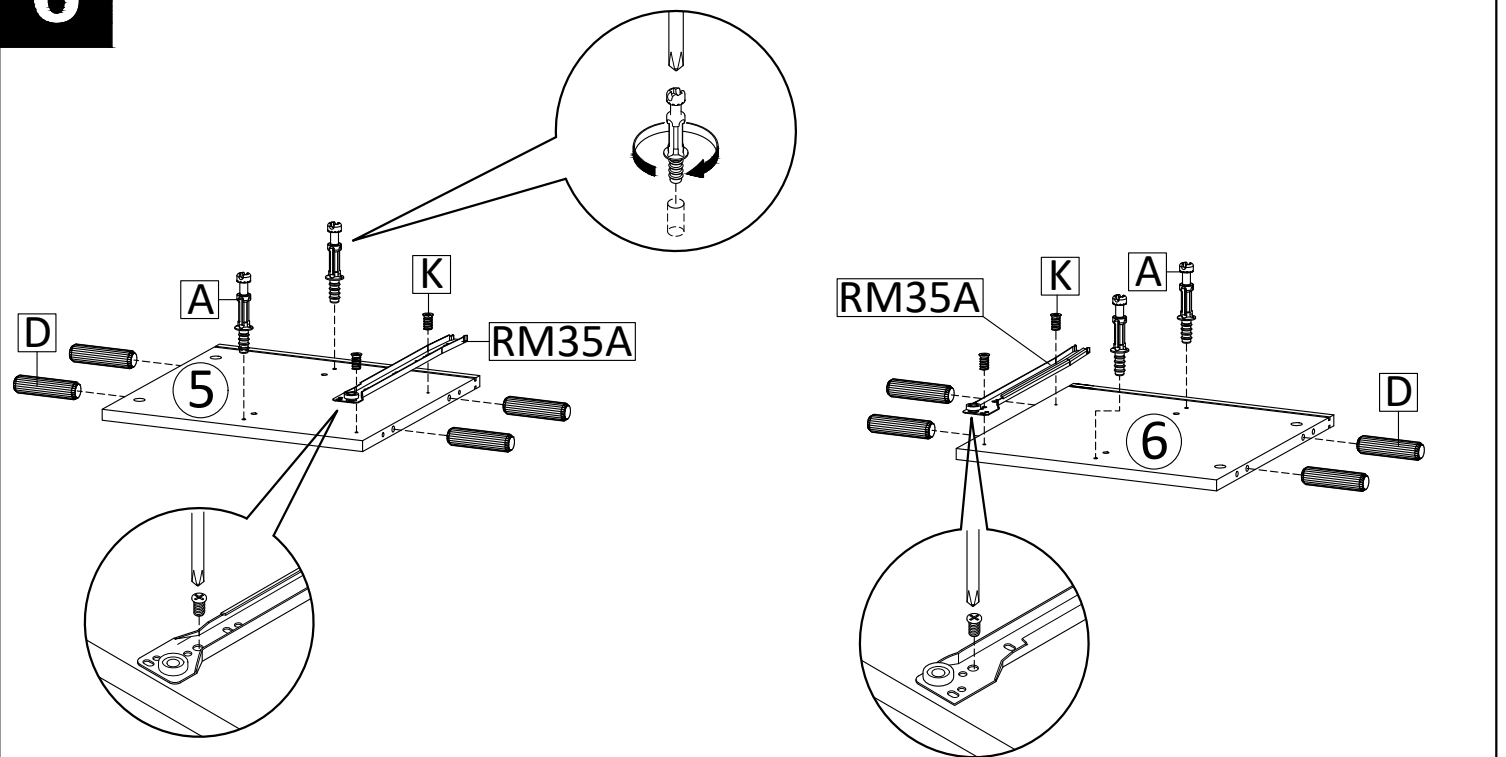
5

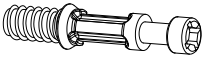



A	x 8
	

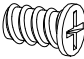
D	x 14
	

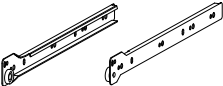
6



A	x 4
	

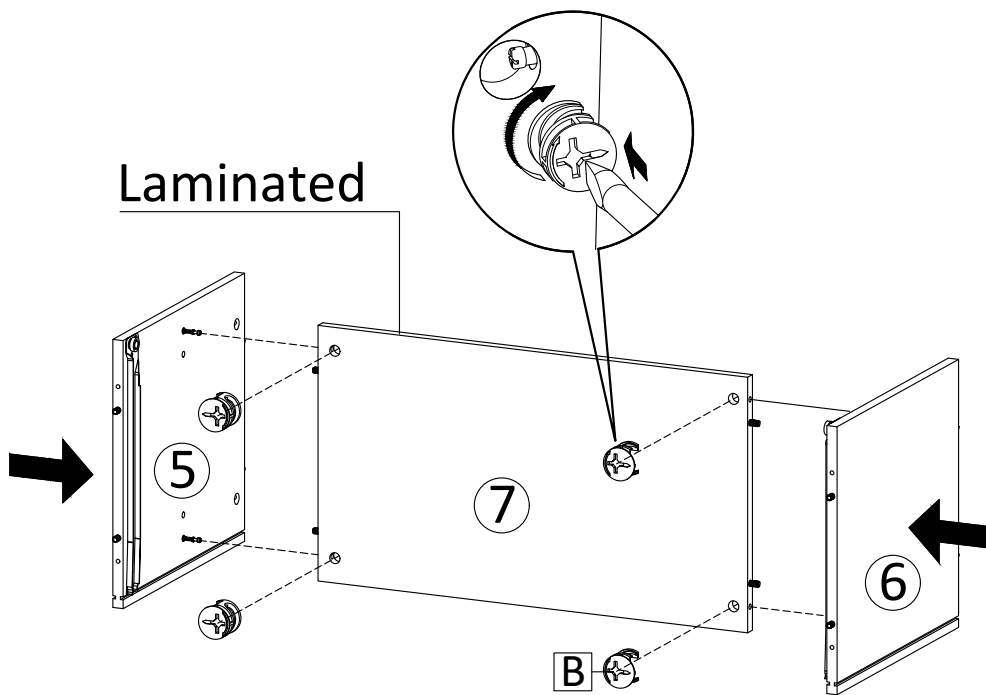
D	x 8
	

K	x 4
	

RM35A	x 1
	

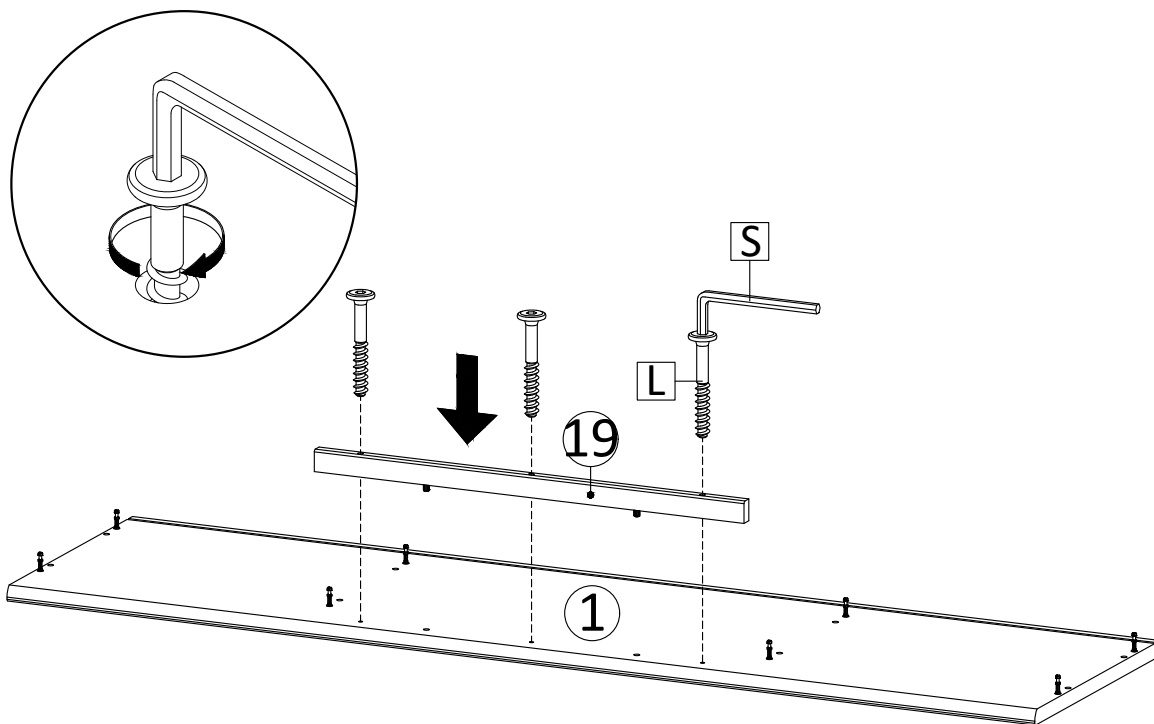
7

Laminated



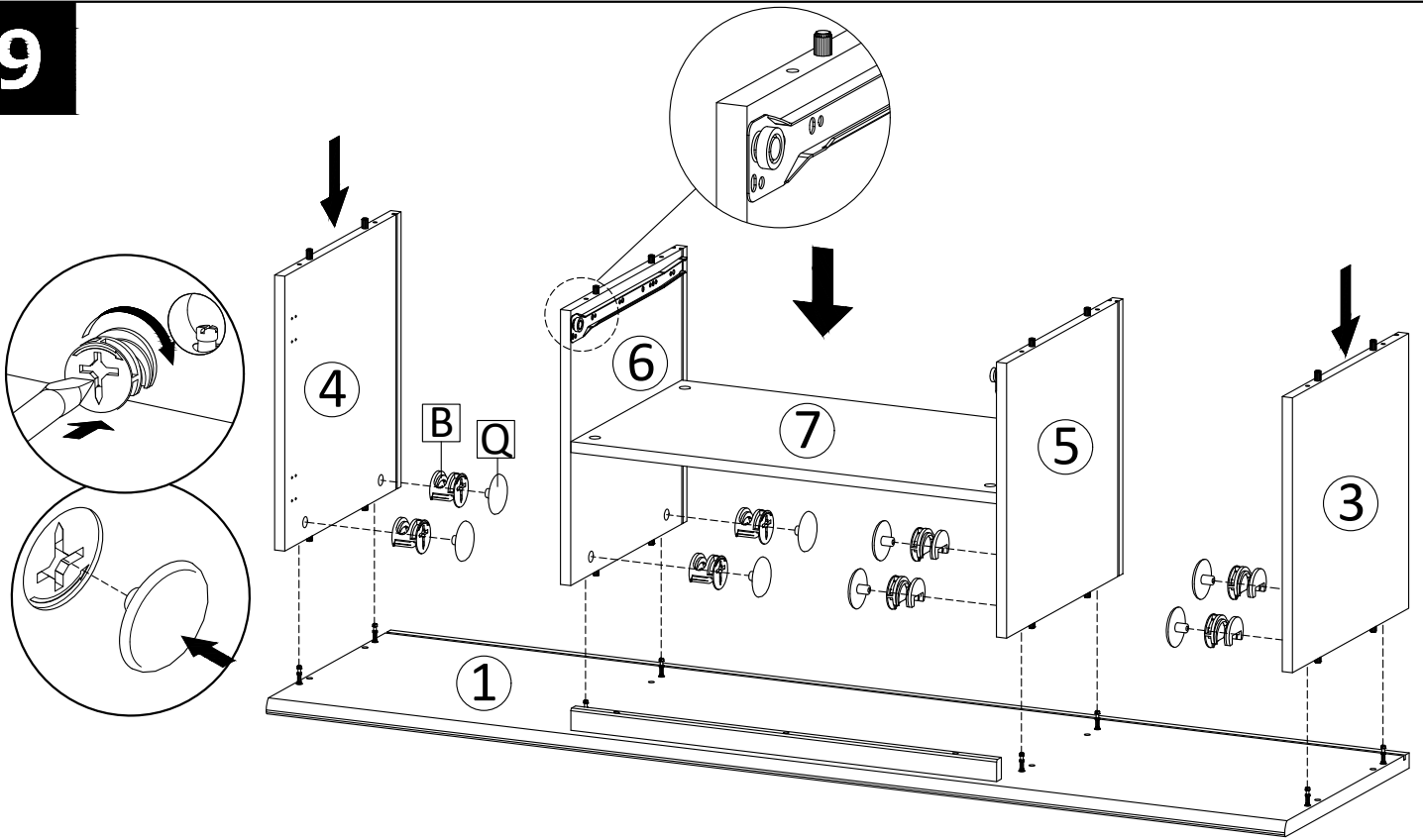
B	x 4

8

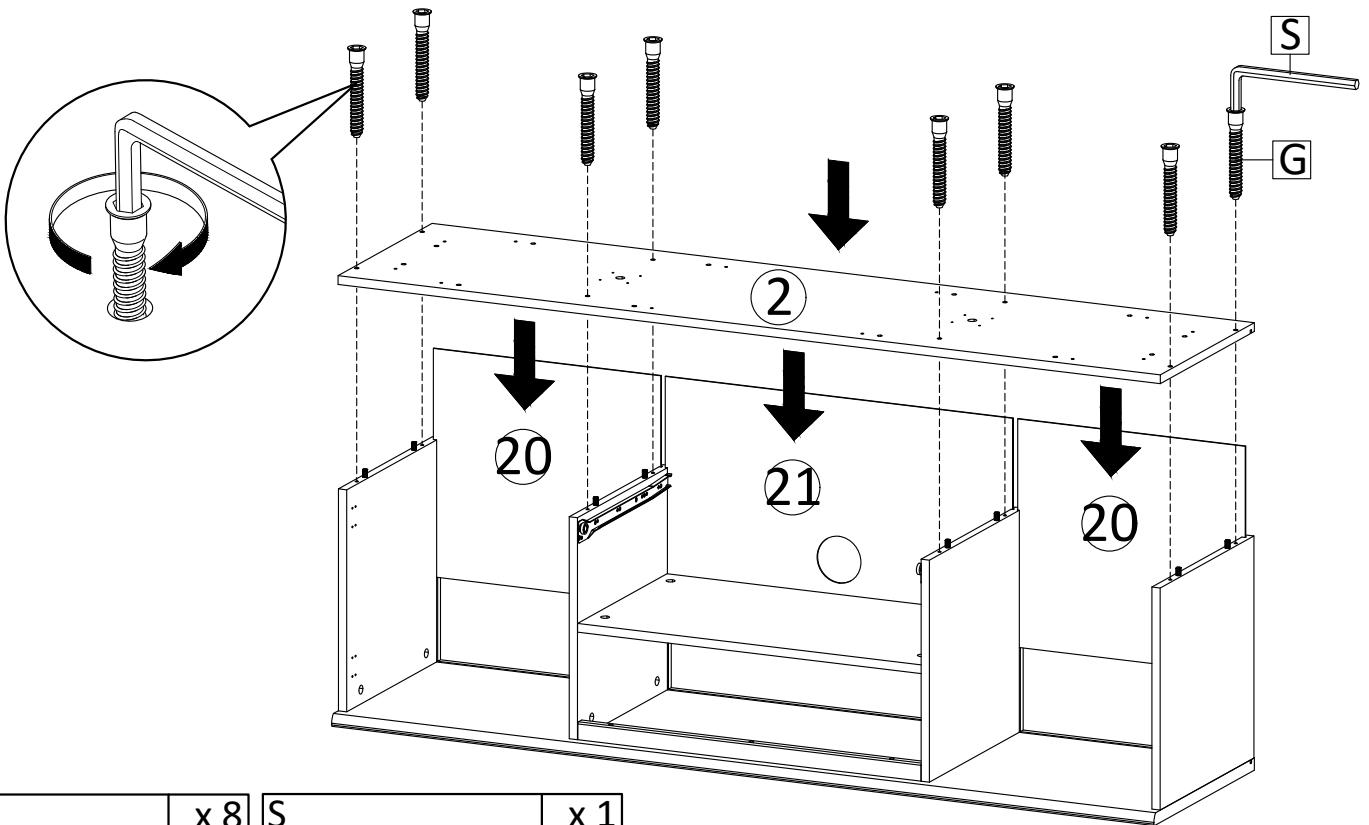


L	x 3

S	x 1

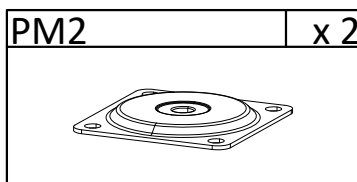
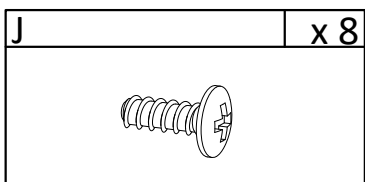
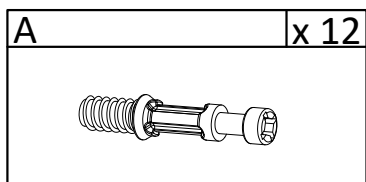
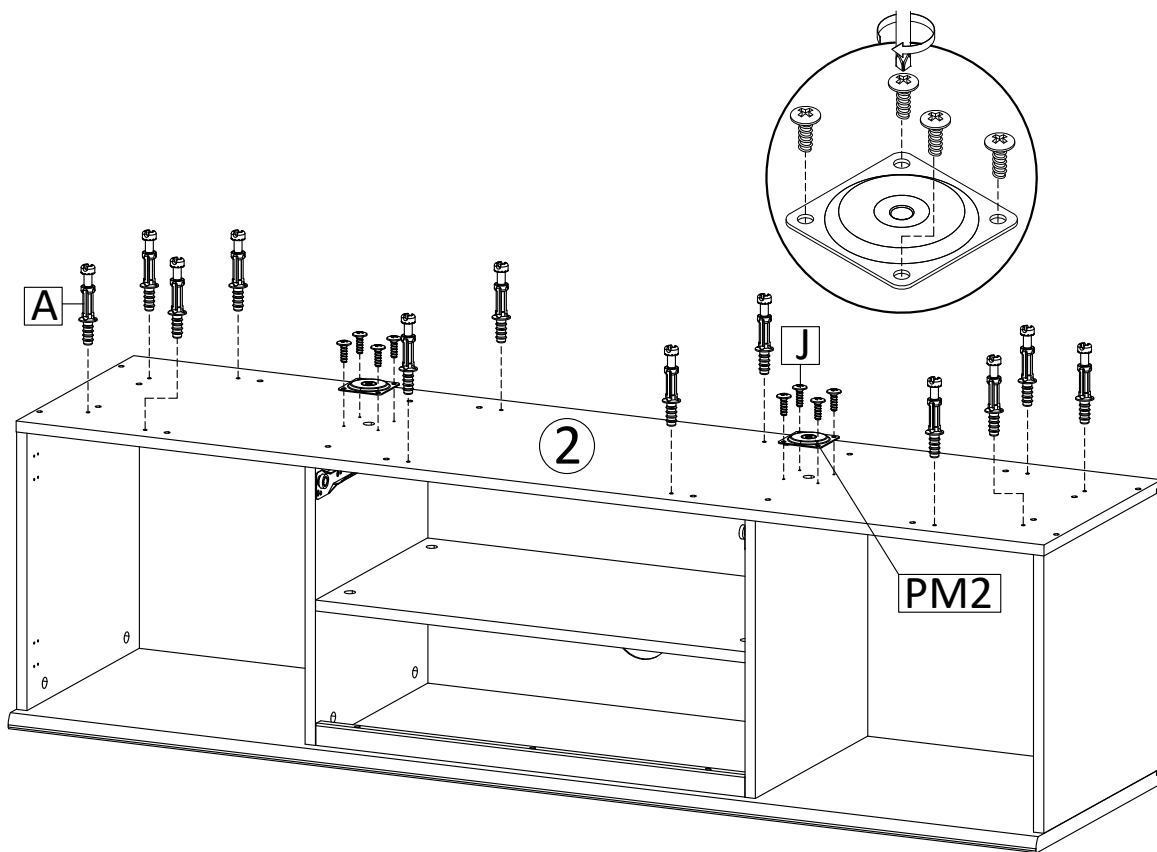
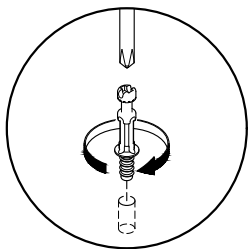
9

B	x 8	Q	x 8

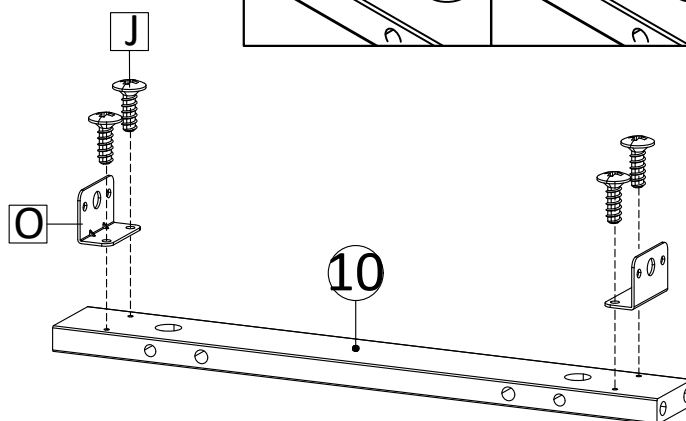
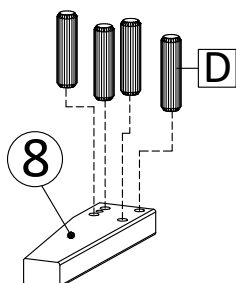
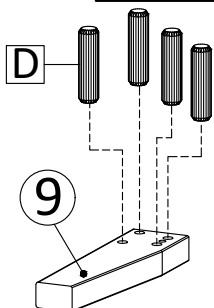
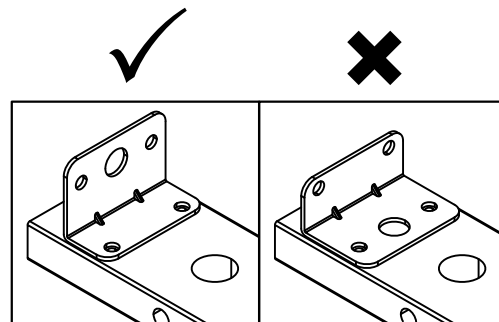
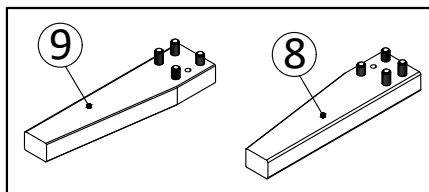
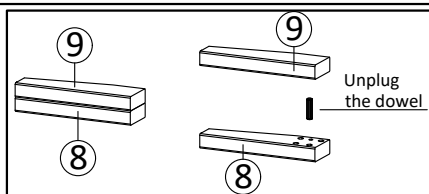
10

G	x 8	S	x 1

11



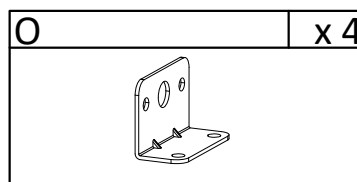
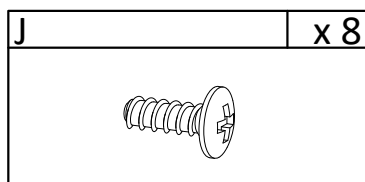
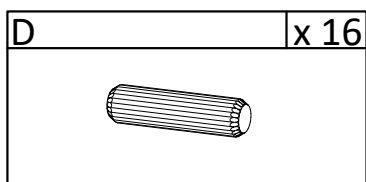
12



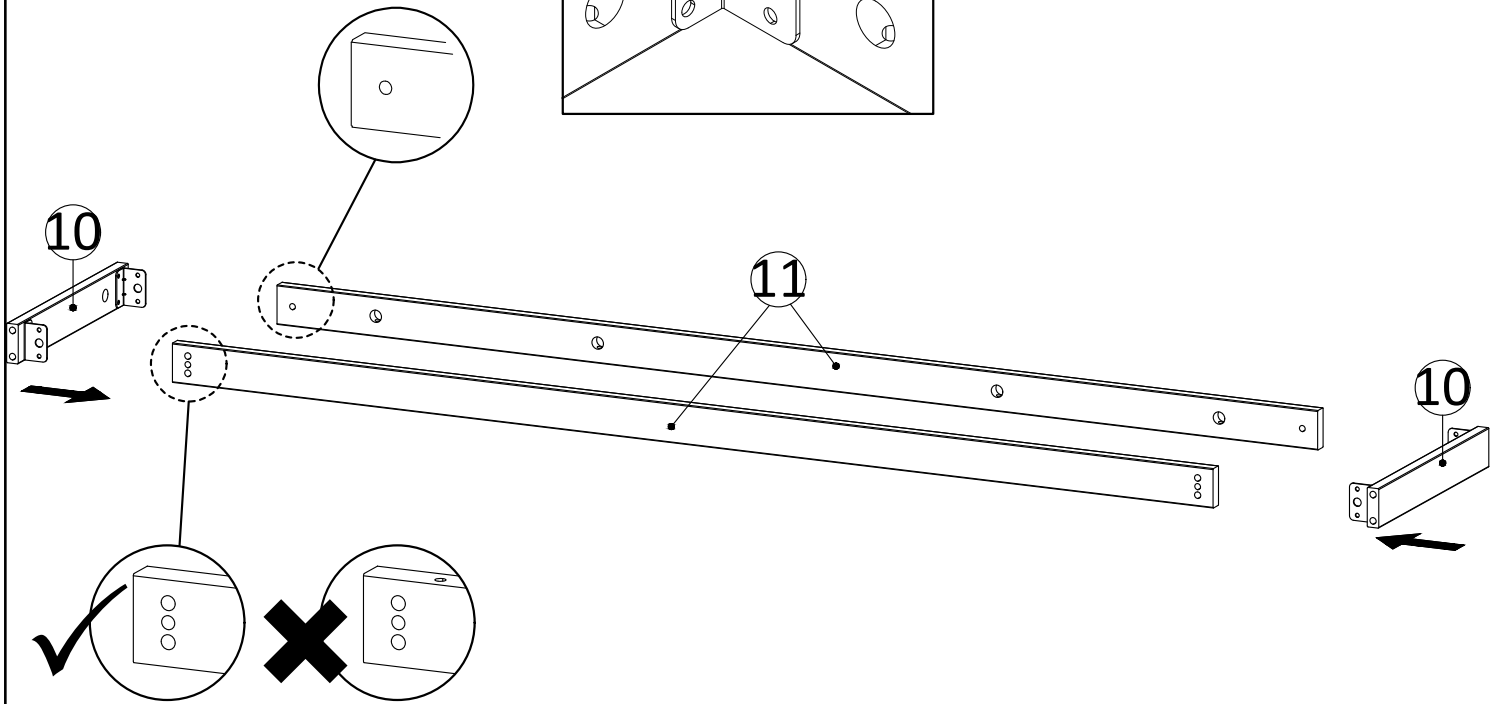
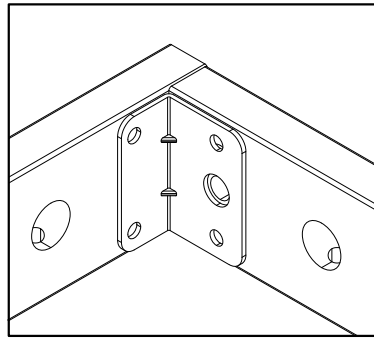
x 2

x 2

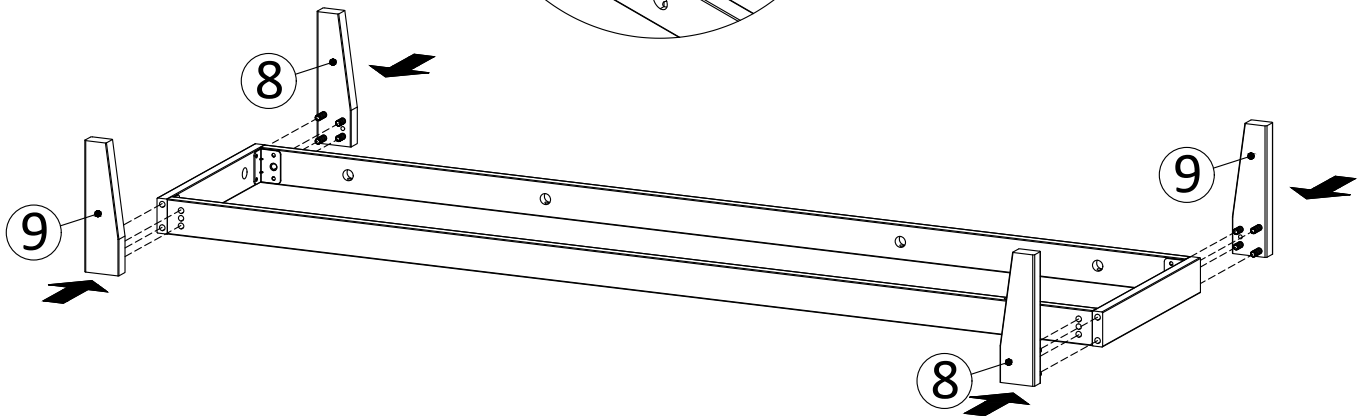
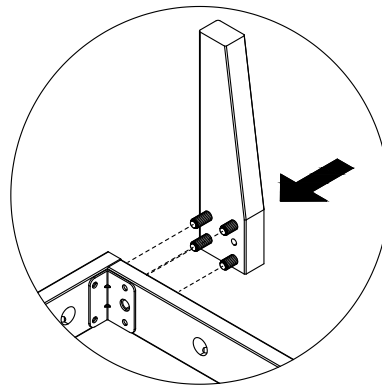
x 2



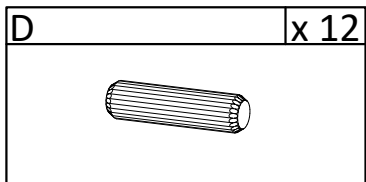
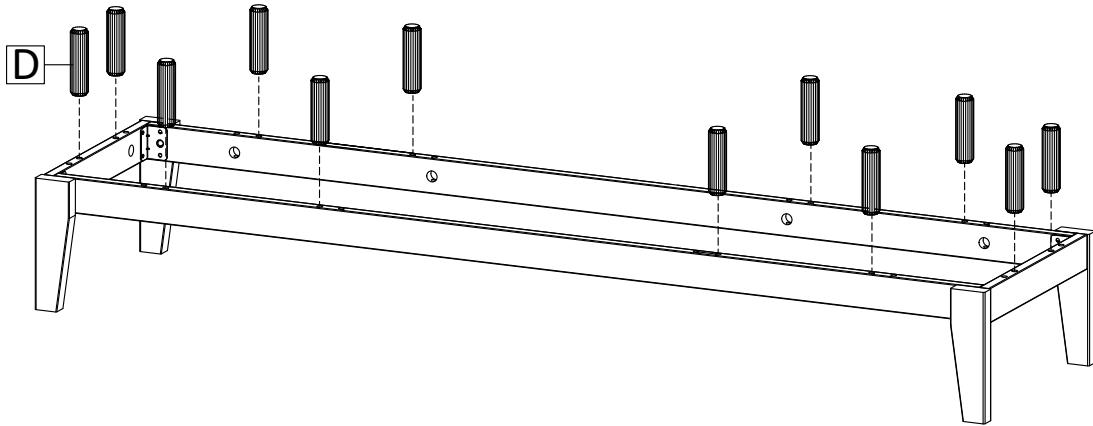
13



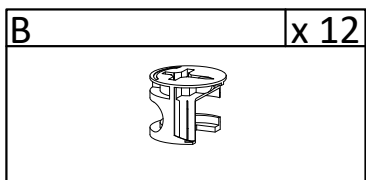
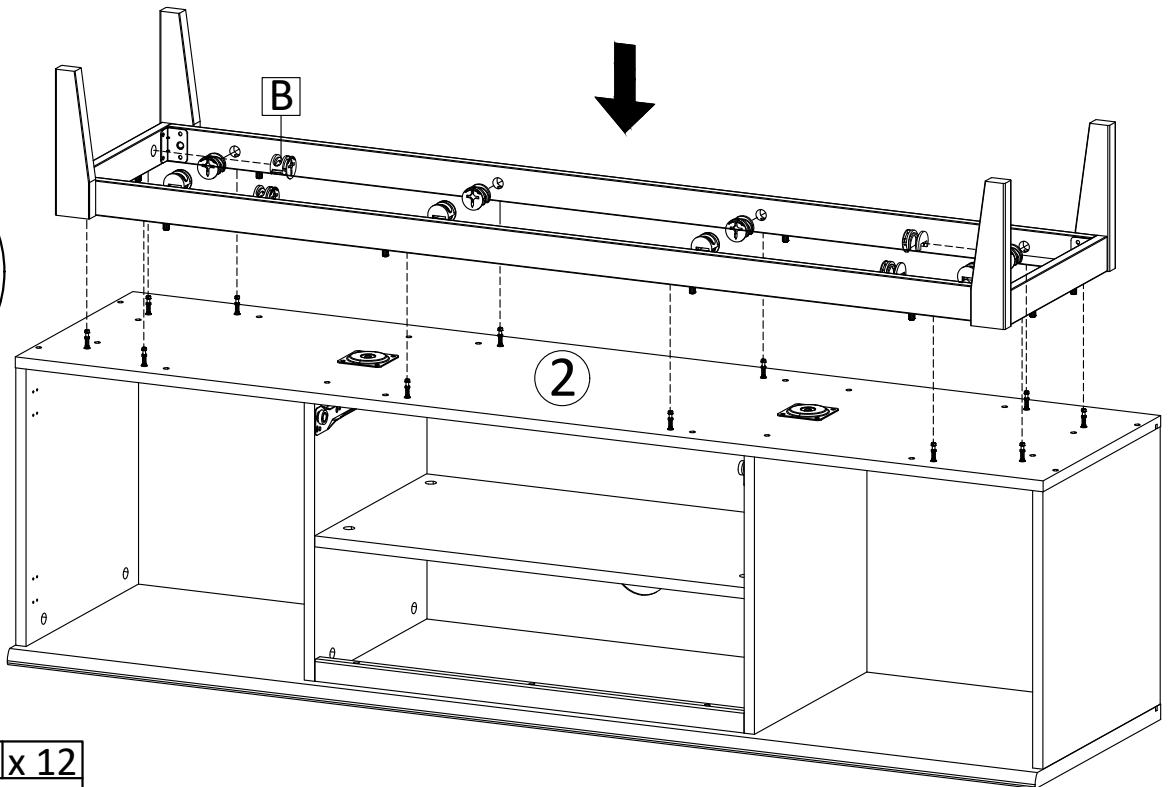
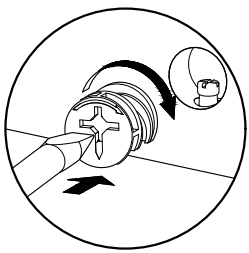
14



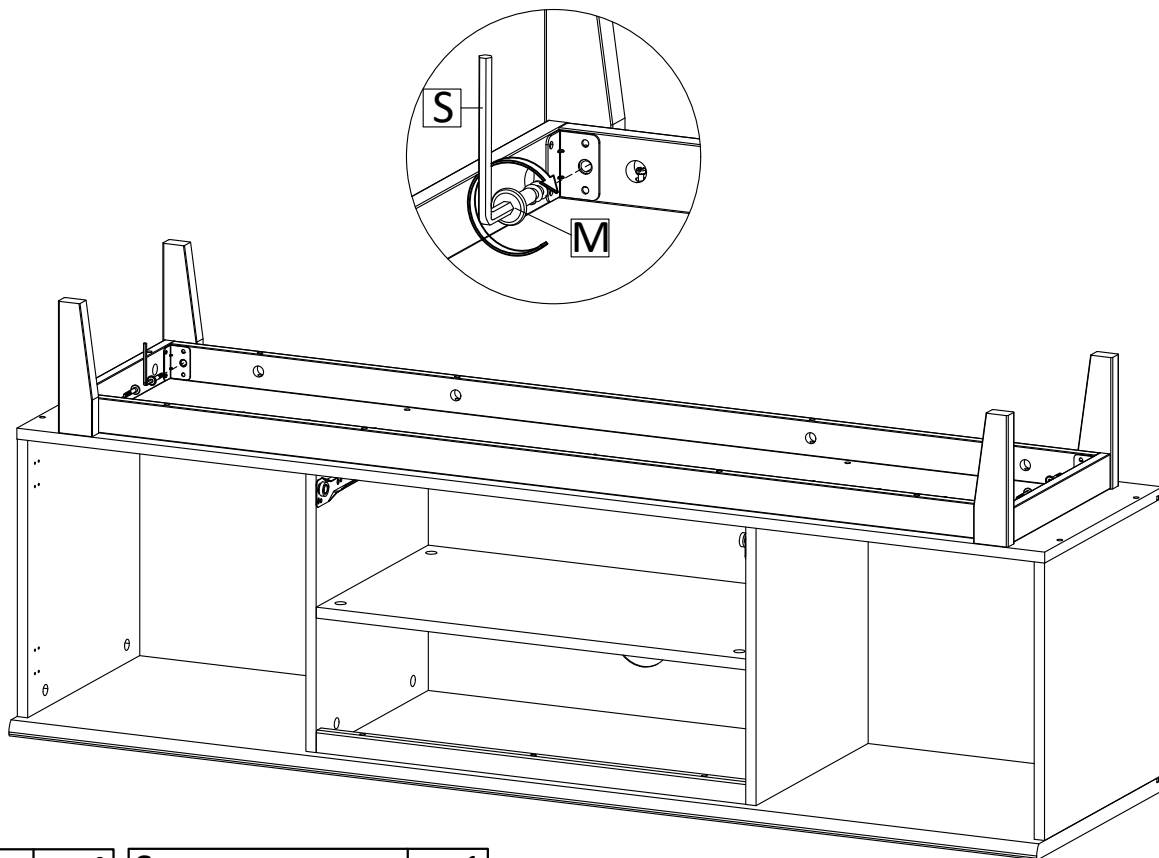
15

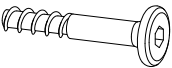



16

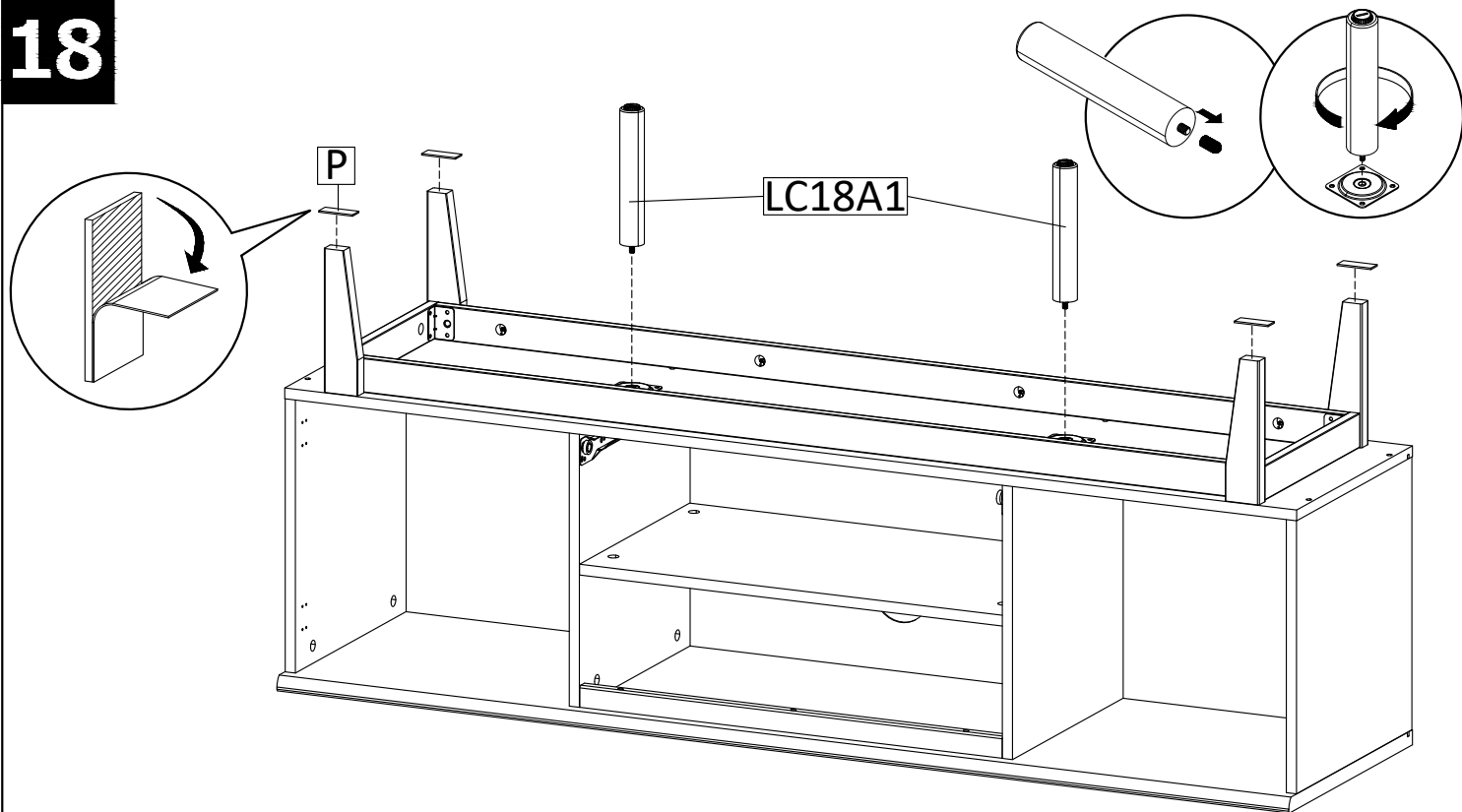



17



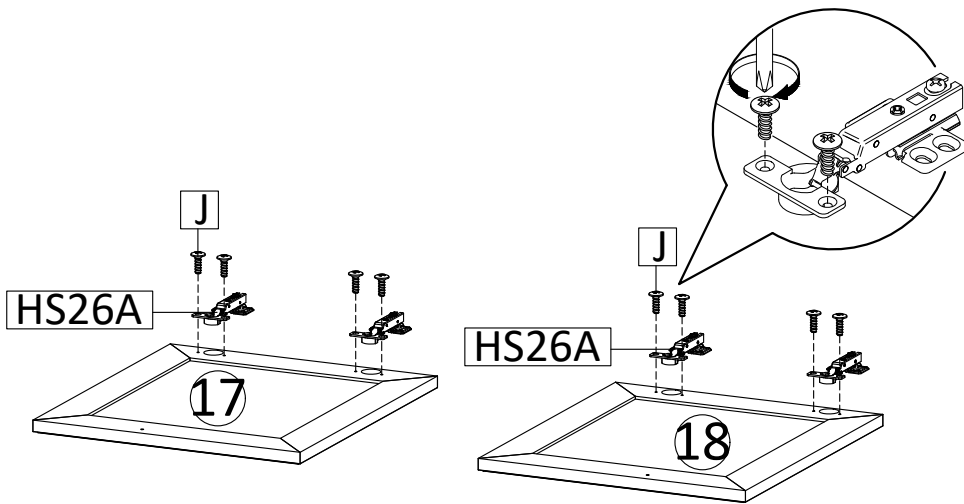
M	x 4	S	x 1
			

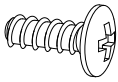
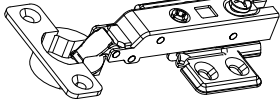
18



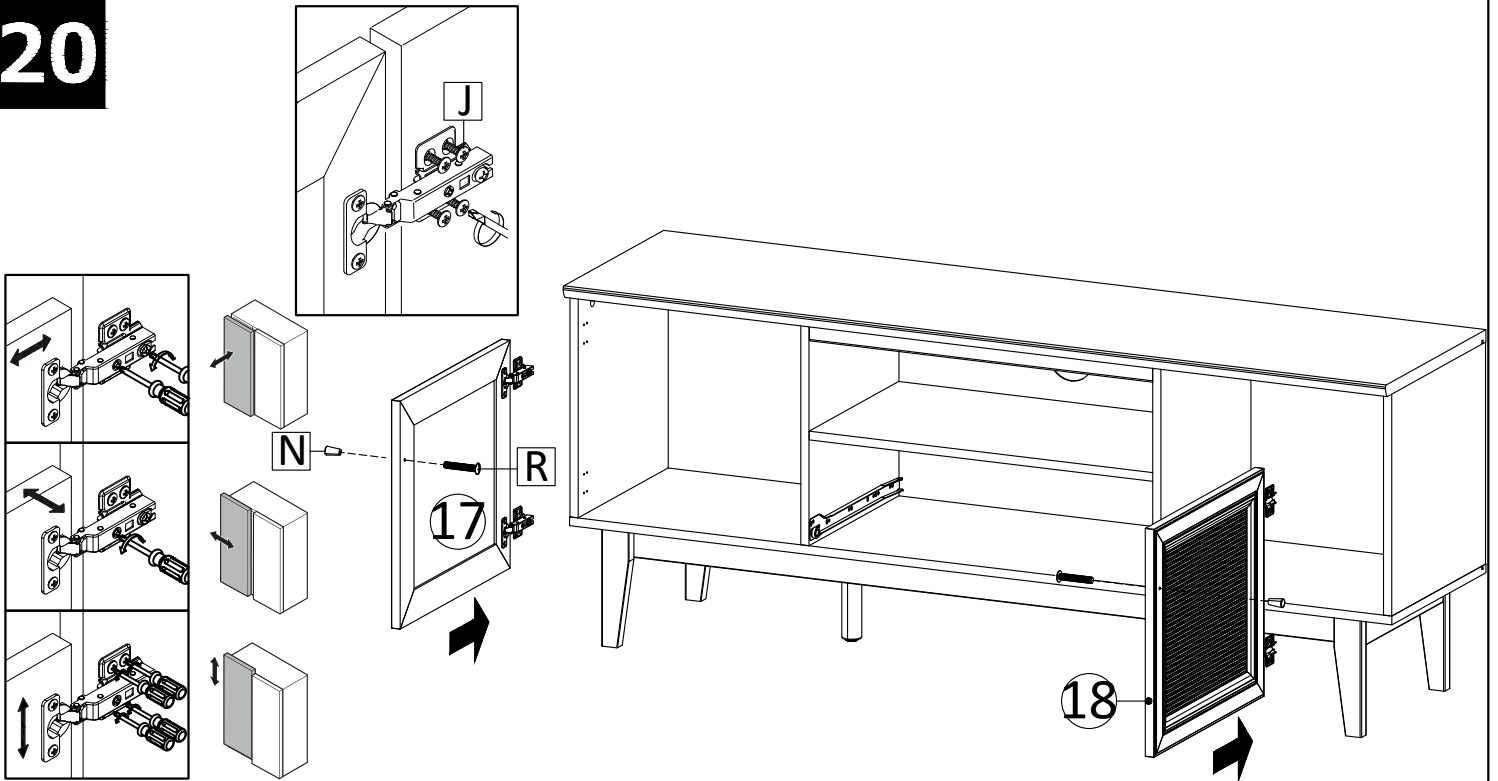
P	x 4
	

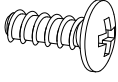
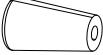

19



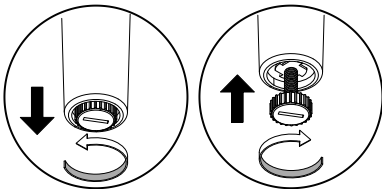
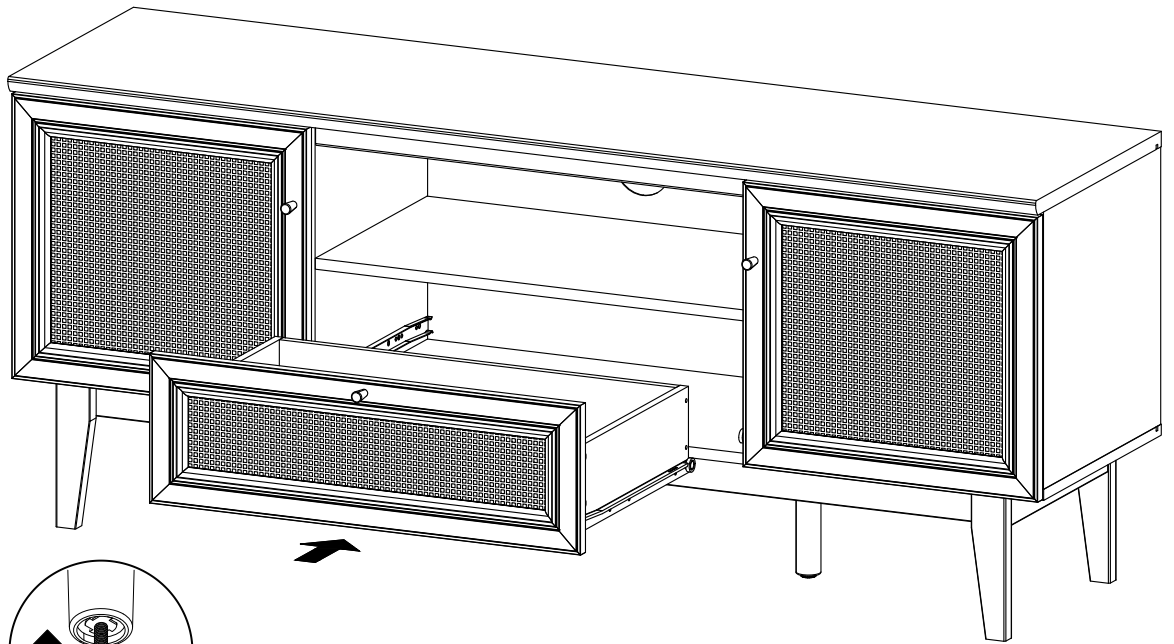
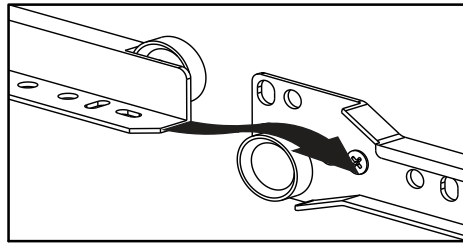
J	x 8	HS26A	x 4
			

20

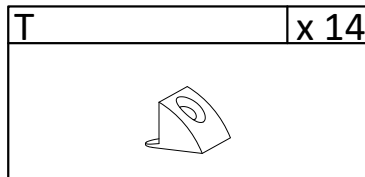
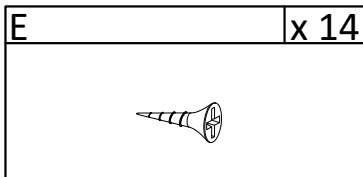
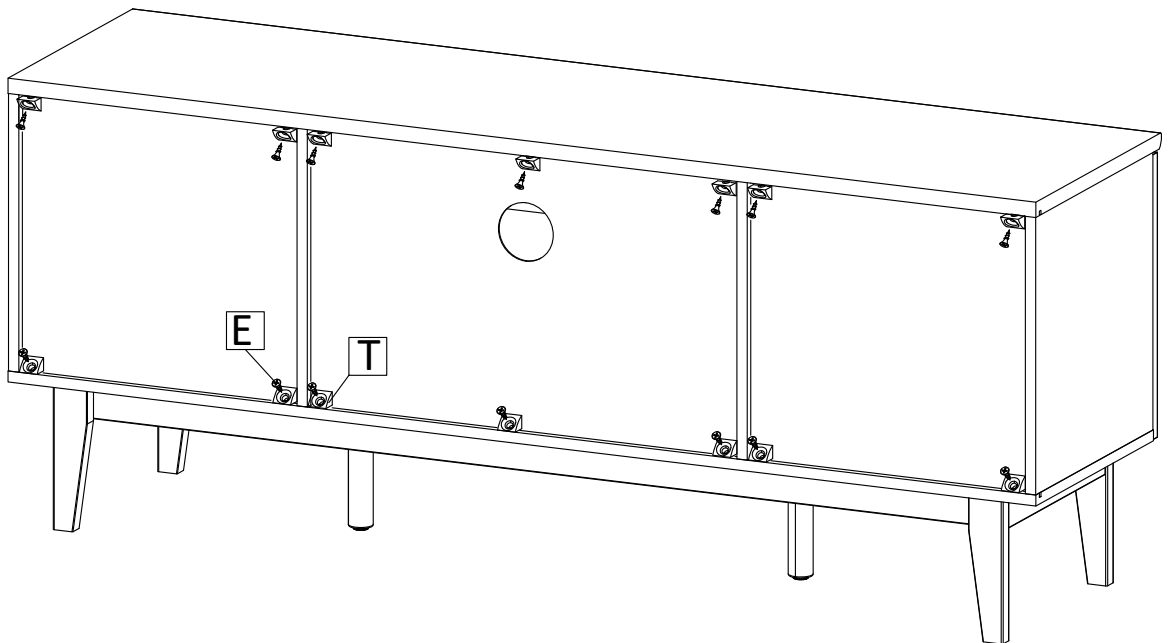
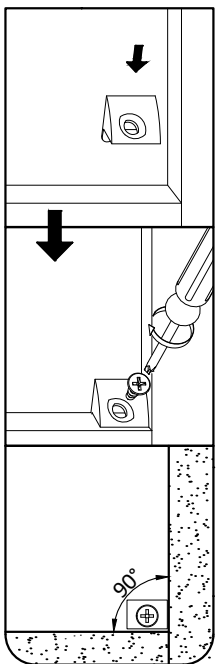


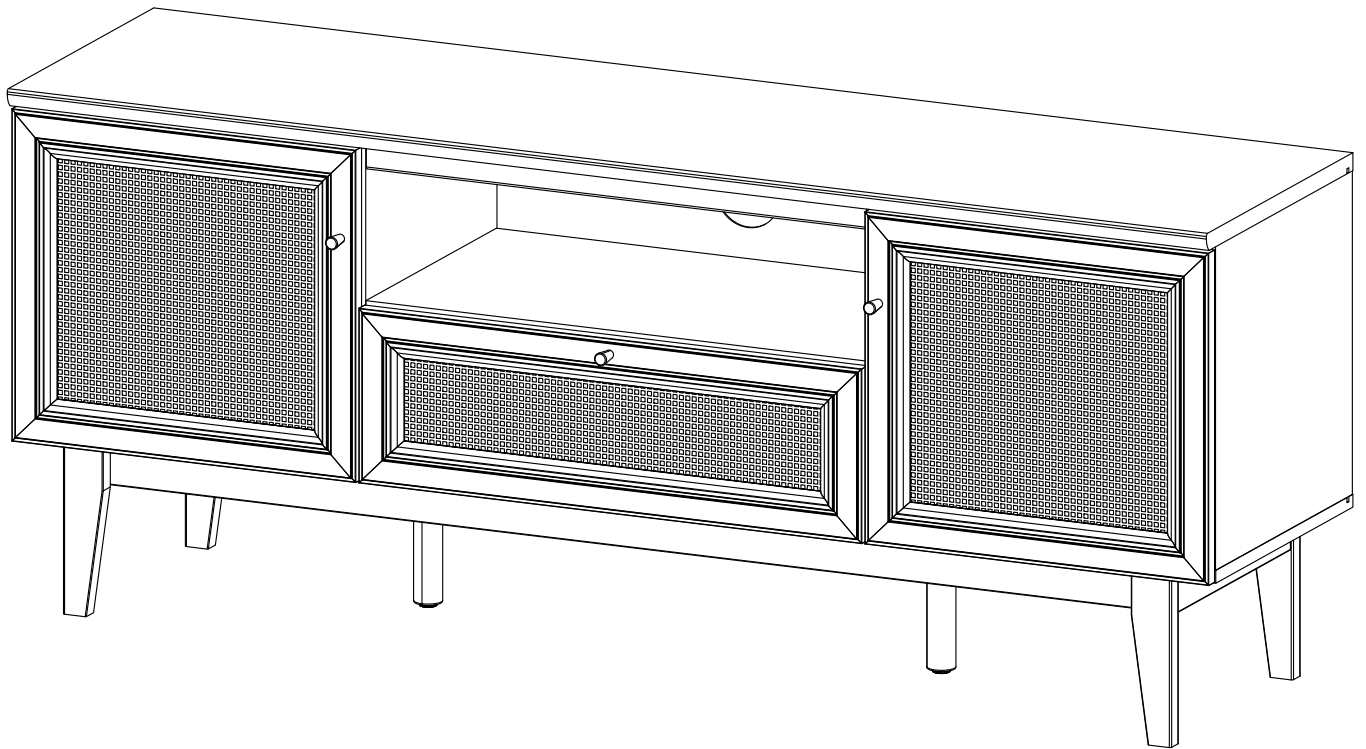
J	x 16	N	x 2	R	x 2
					

21



22



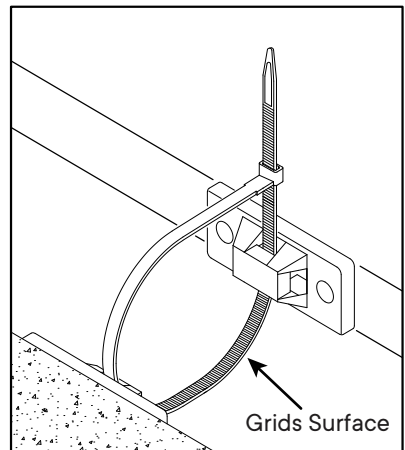
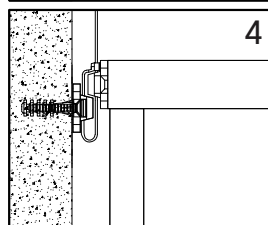
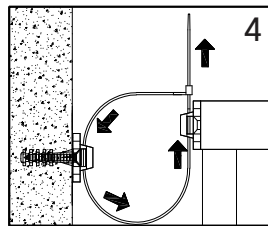
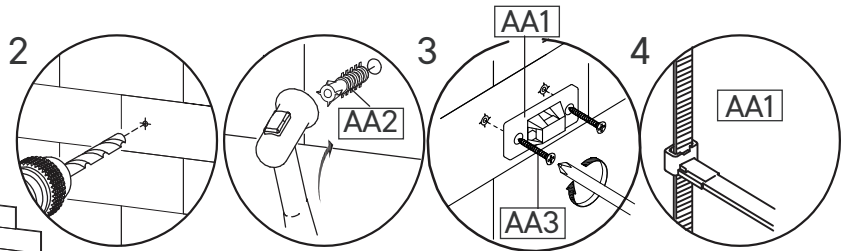
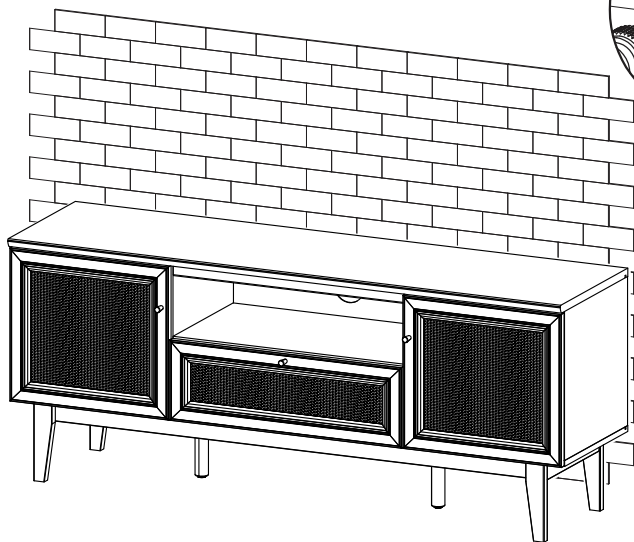
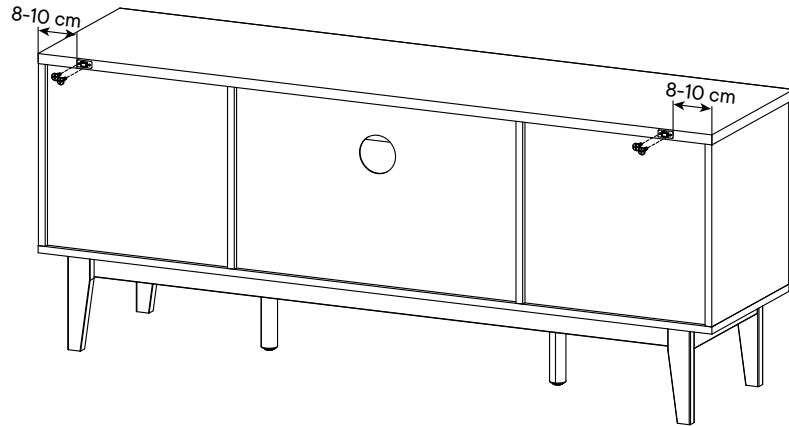
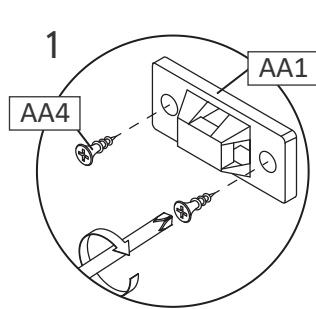
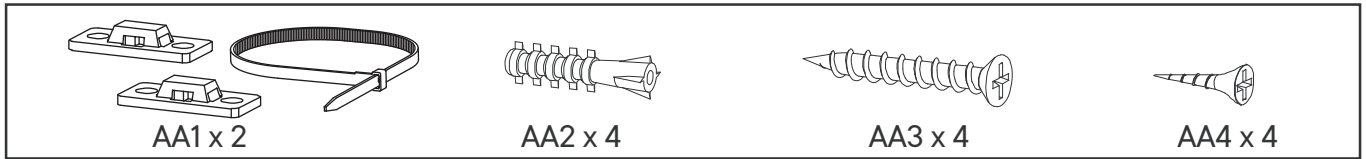


TIPPING RESTRAINTS KIT INSTALLATION GUIDANCE

Different wall materials require unique wall fasteners.

The wall plugs (AA2) and screws (AA3) are designed for fixing to concrete walls only.

Please consult your local hardware store to ensure you are using the correct hardware for you wall type.



Installation Instructions :

1. Attach bracket (AA1) securely to the back top of the furniture using screw (AA4) provided. Allow 8 - 10 cm from each side.
2. Please make a hole for wall plugs position on the wall and minimum 15 mm below bracket secured to the back of unit. Attach the wall plugs (AA2).
3. Install the other bracket (AA1) on the wall over wall plugs (AA2), secure with screw (AA3). Place furniture into position so both brackets (AA1) are aligned.
4. Lace the end of the restraints strap through the larger hole in each bracket. Ensure the restraints strap with grids surface facing the inner loops. Bring both ends together and slide the flat end through the locking end and draw it through until all slack is removed.
5. Make sure that the strap is securely laced & locked.