

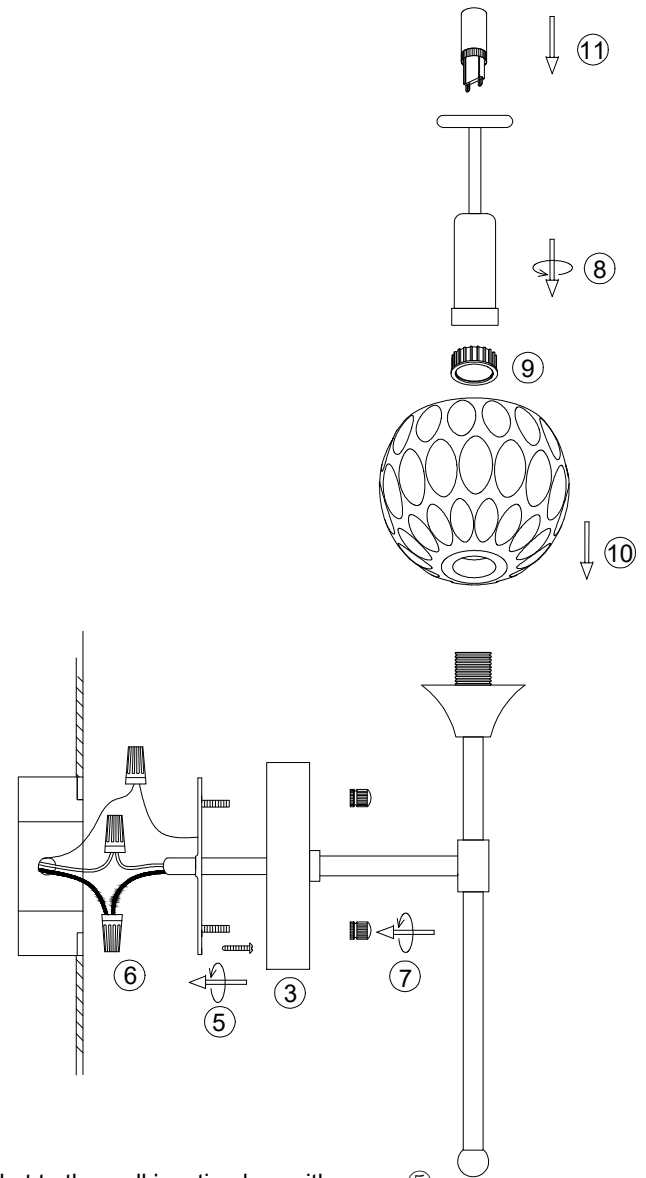
1. Install the fixture ② to the canopy with lock nut and teeth lock washer ①. (ground line should be between the lock nut and teeth lock washer)
2. Rotate to fasten the tube ④ to the fixture.

#### B6024-1

Please read carefully before installation!!!

Note : Please make sure that the electricity is powered off during installation !

Only a professional electrician should install this kind of product !



3. Install the bracket to the wall junction box with screw ⑤.
4. Connect the wire to your home line with cap connector ⑥.
5. Install the fixture to the bracket with cap nut ⑦.
6. Use the tool ⑧ to install the the ring ⑨ and lampshade ⑩ to the bulb holder, insert the G9 bulb .