

Round Dinner Table Installation Manual



Thank you for shopping from us!

In order to enable you to better install or use this product, please carefully review the precautions and detailed functional operation instructions provided in this manual before using this product formally.

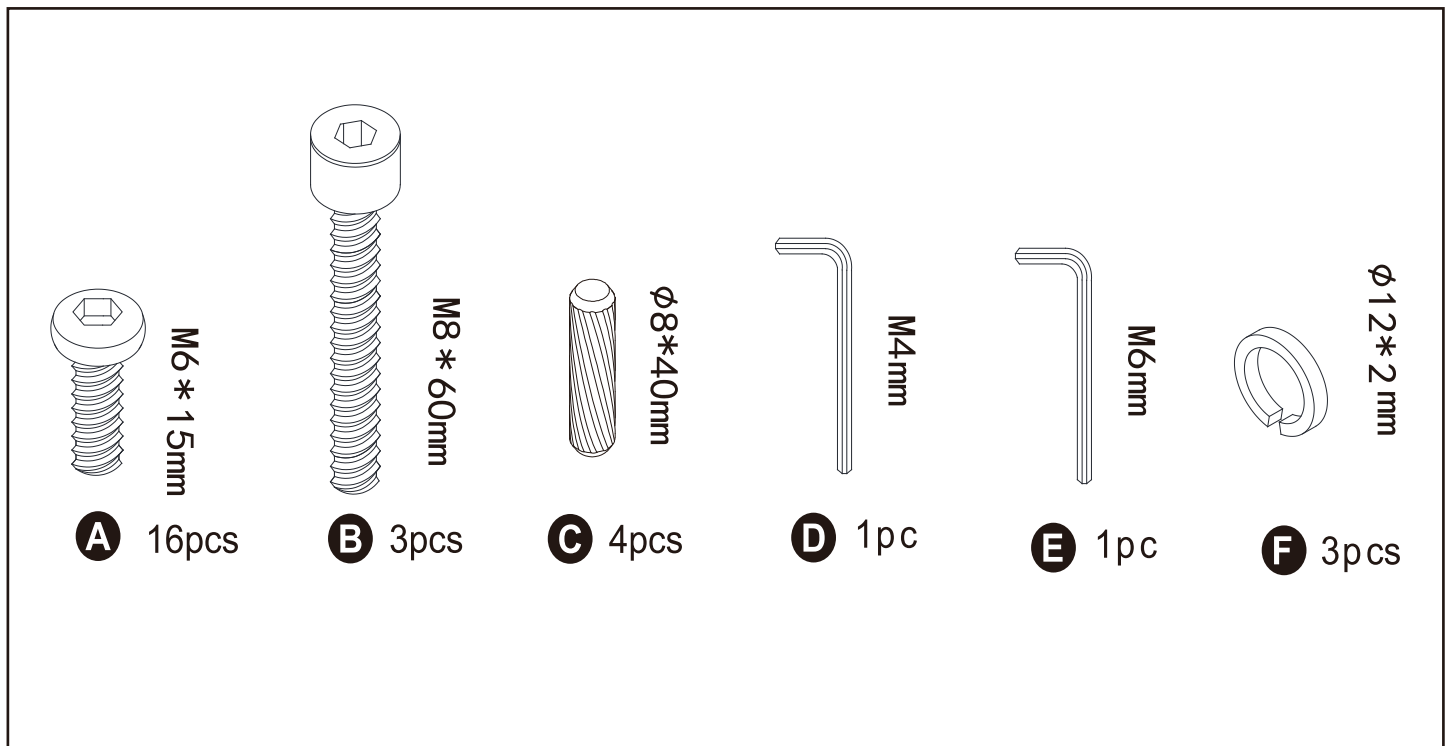
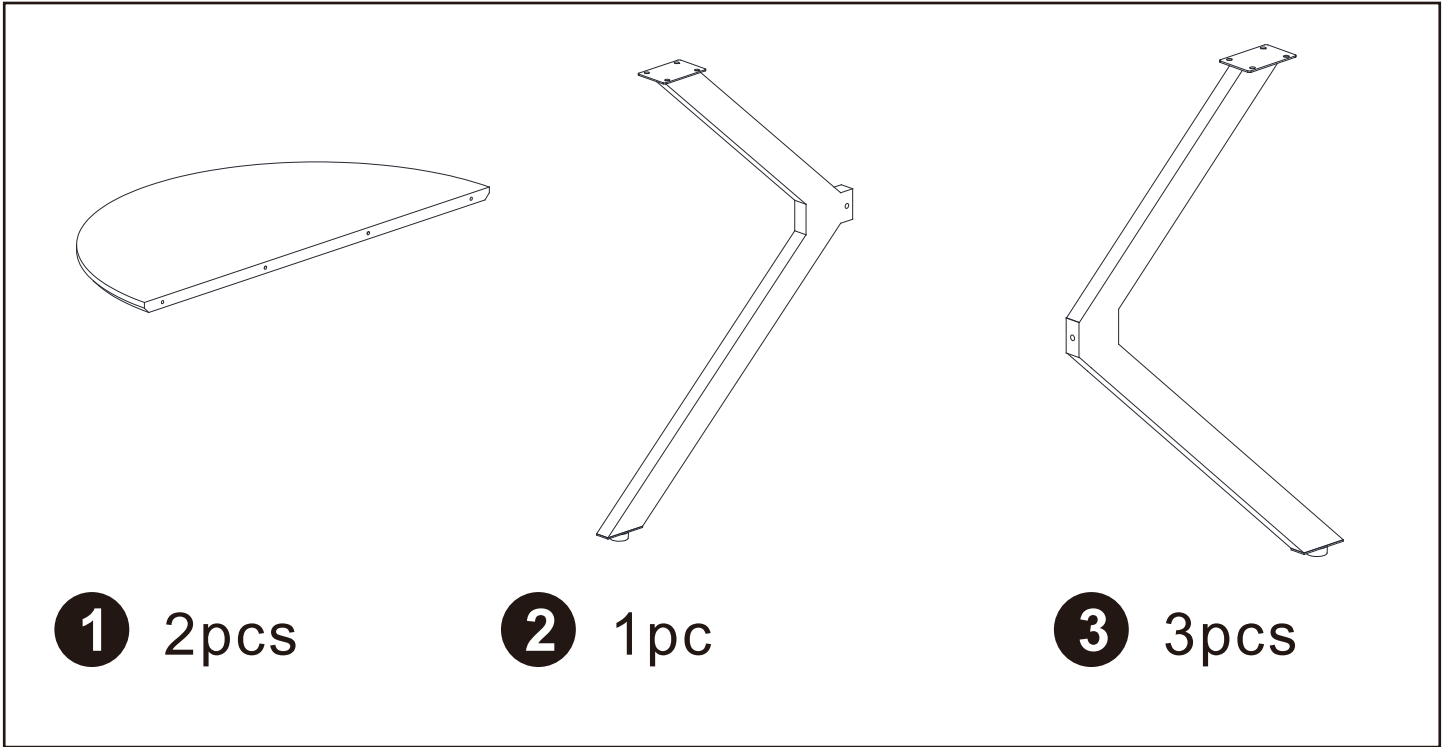
Hope you have a positive experience with it!

Assembly Guide

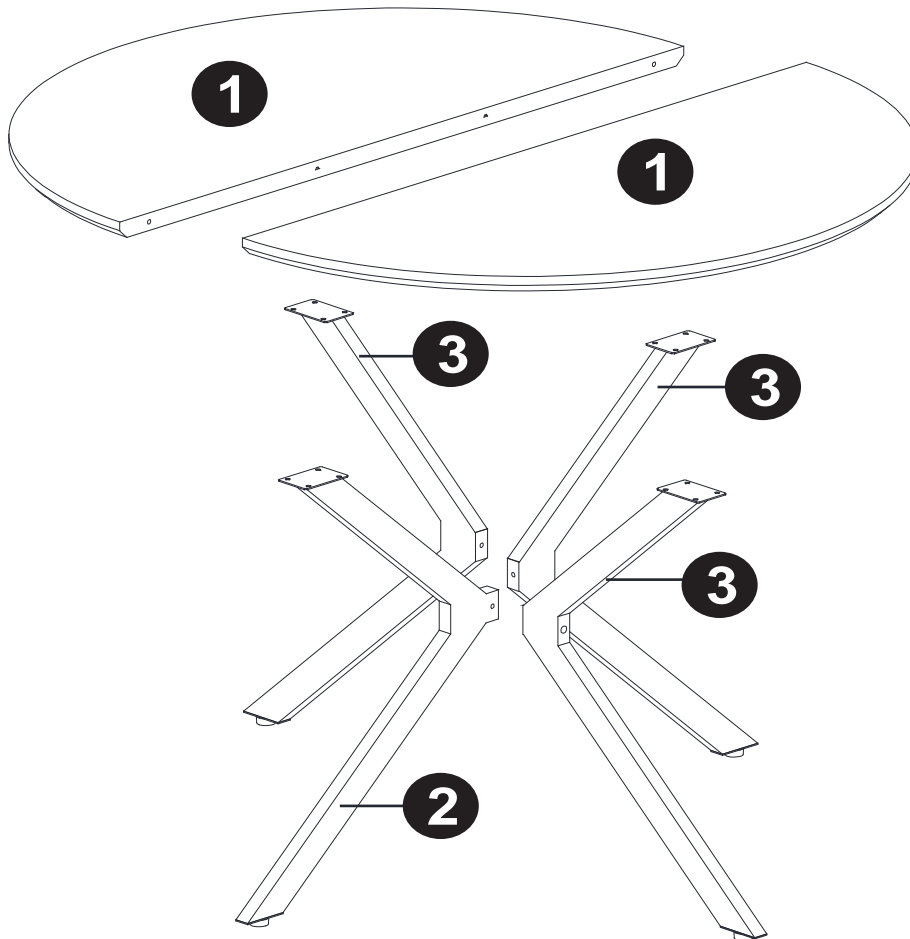
The assembly guide includes a Part List, Installation Steps, and Warning Tips.

Please note that your item may arrive in multiple packages to facilitate transportation, and it's important to check all packages once you receive them. If any questions or concern regarding the product, please don't hesitate to reach out to our customer service

Parts list



Installation Steps



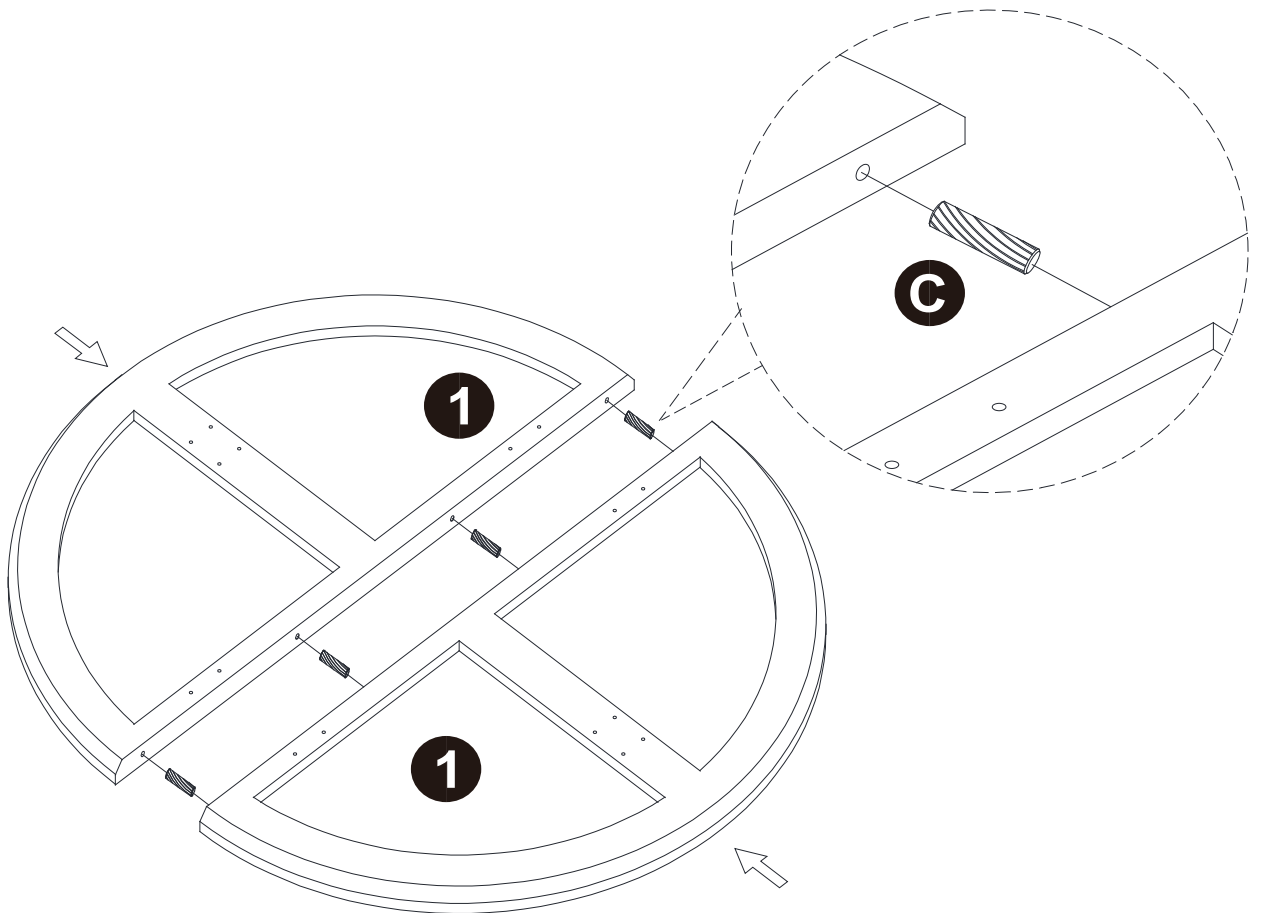
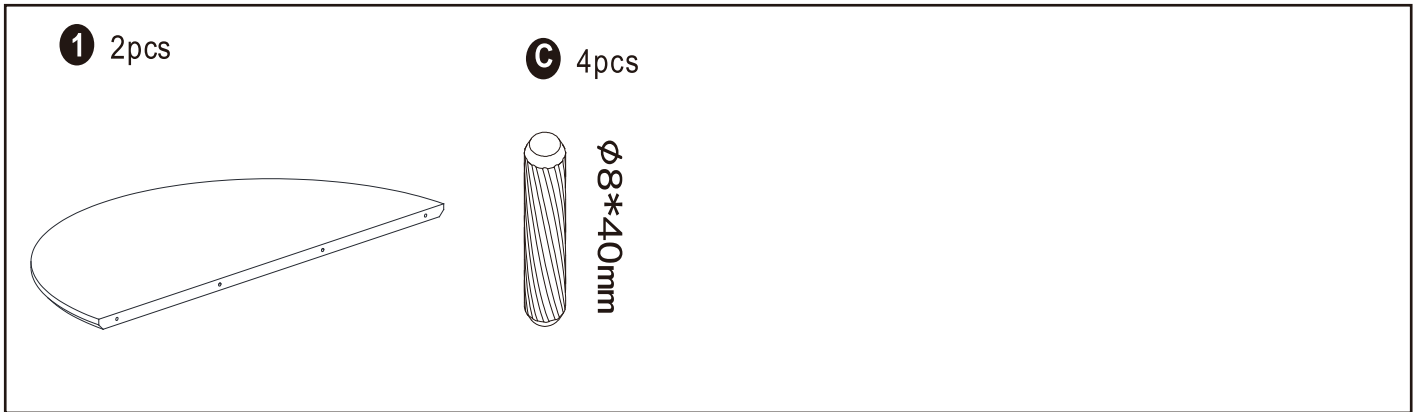
Checking

Before starting the installation process, please check that all parts are present and undamaged.

Ensure that the parts and quantities in the package correspond with the Part List. If there are any mistakes or missing parts, kindly contact us through the purchase platform for assistance.

Assembly

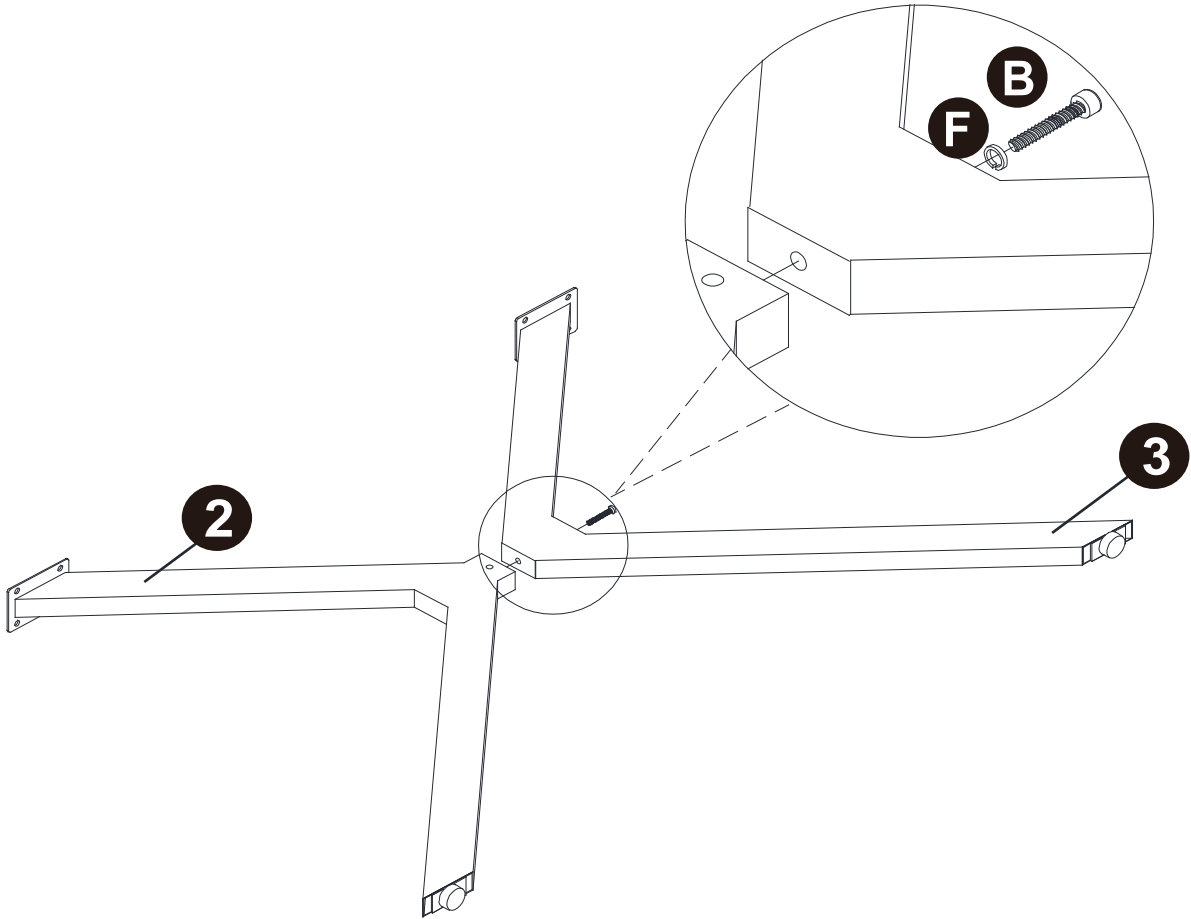
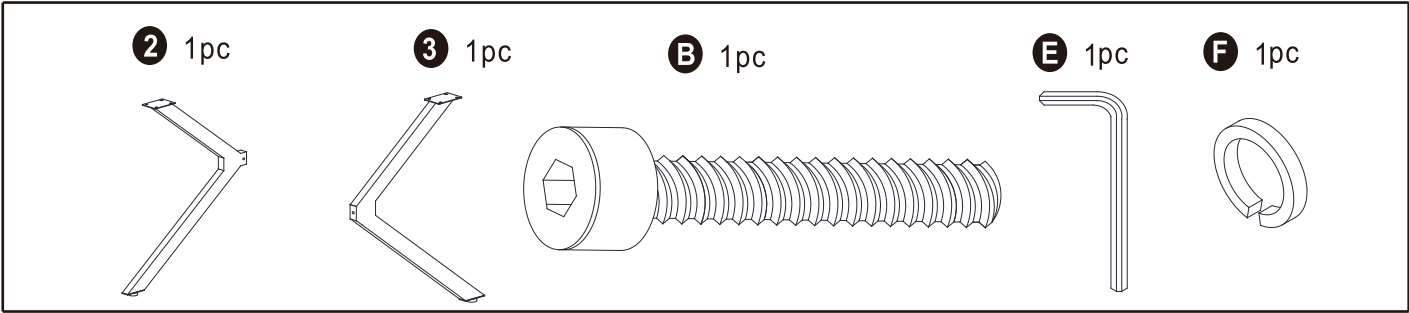
STEP 1



Be sure not to skip inserting part C, as this is crucial for product stability and future assembly. We also strongly recommend placing the tabletop on the floor before assembling and using the protective materials provided in the packaging to avoid scratches.

Assembly

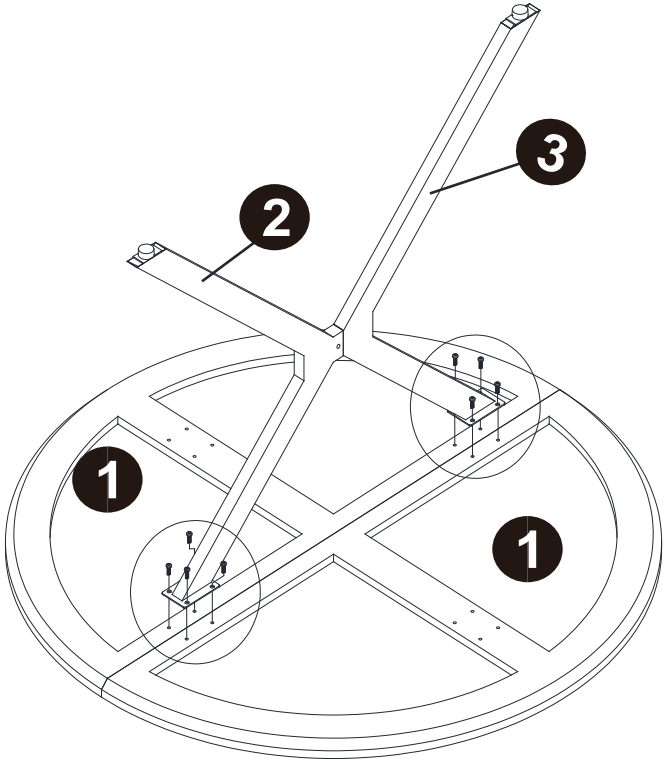
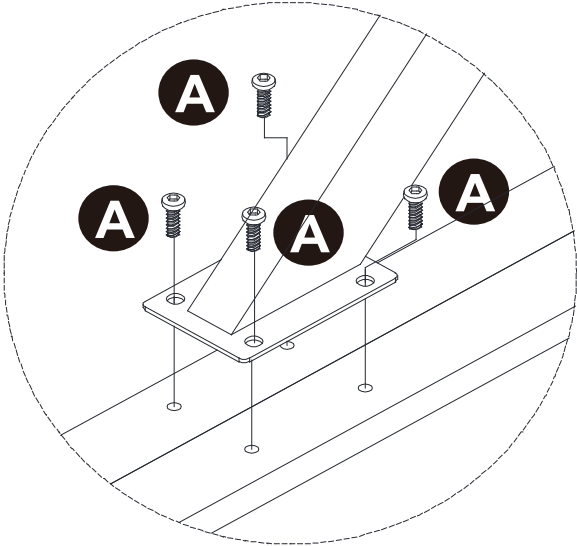
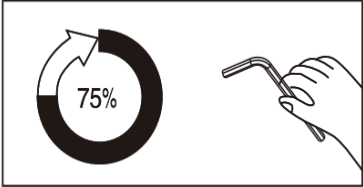
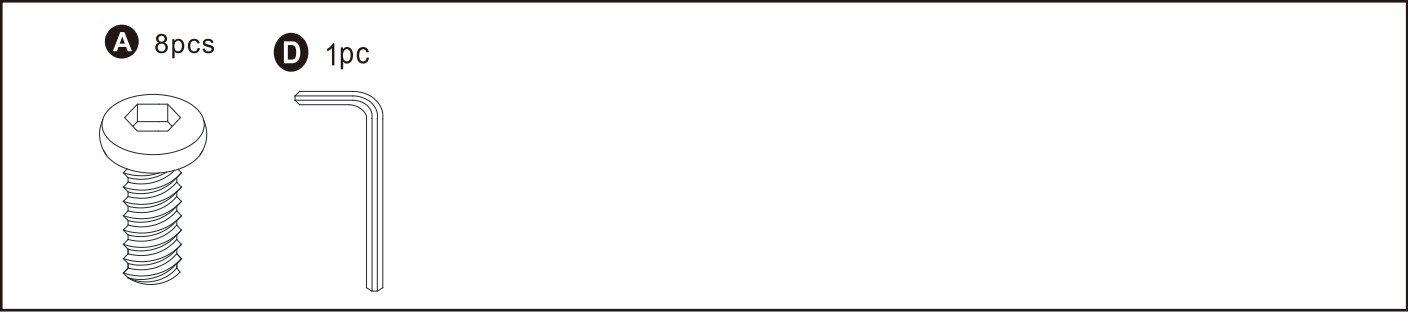
STEP 2



Connect parts 2 and 3, ensuring both parts are aligned in the same direction.

Assembly

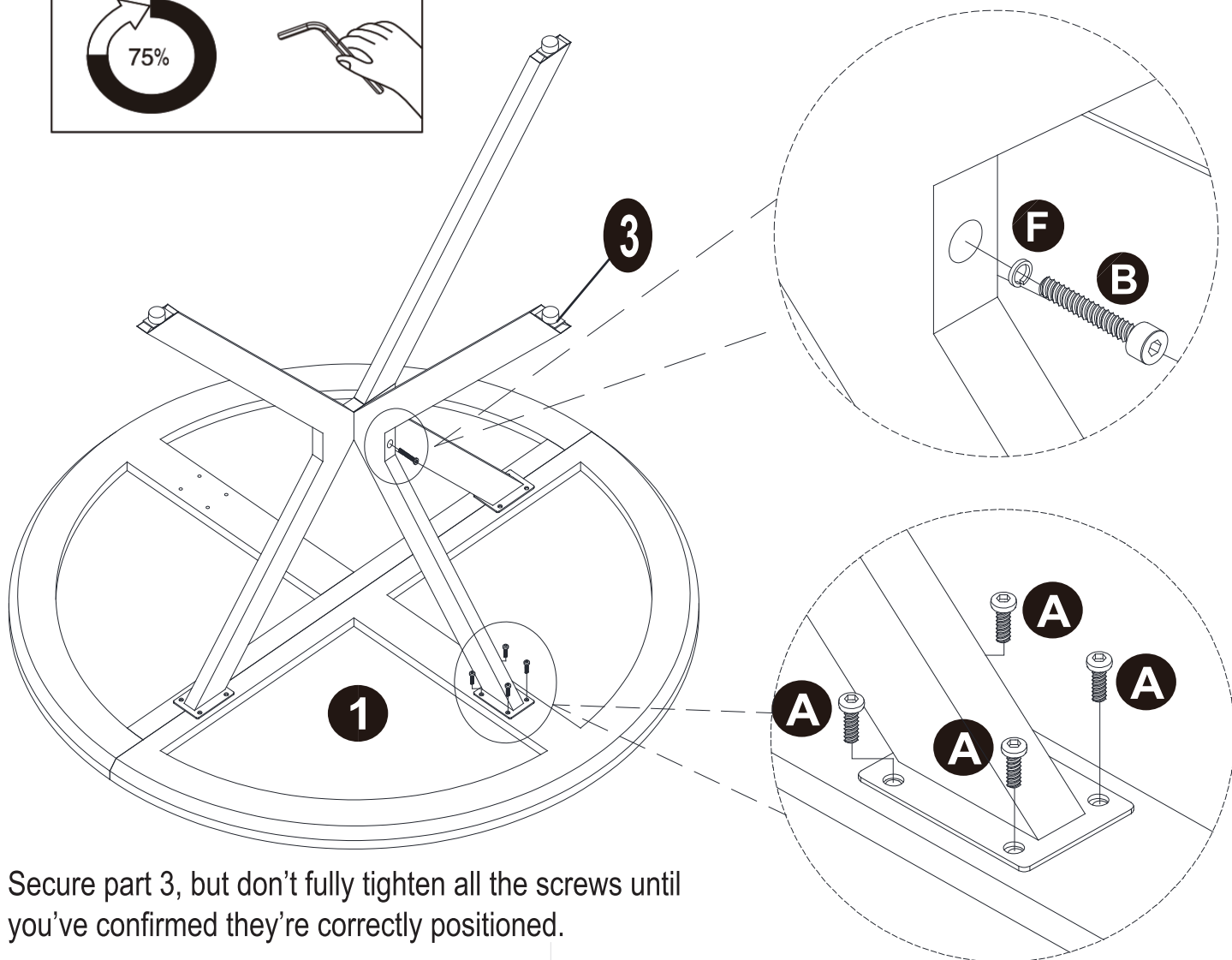
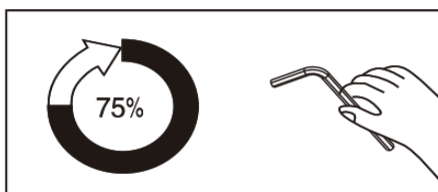
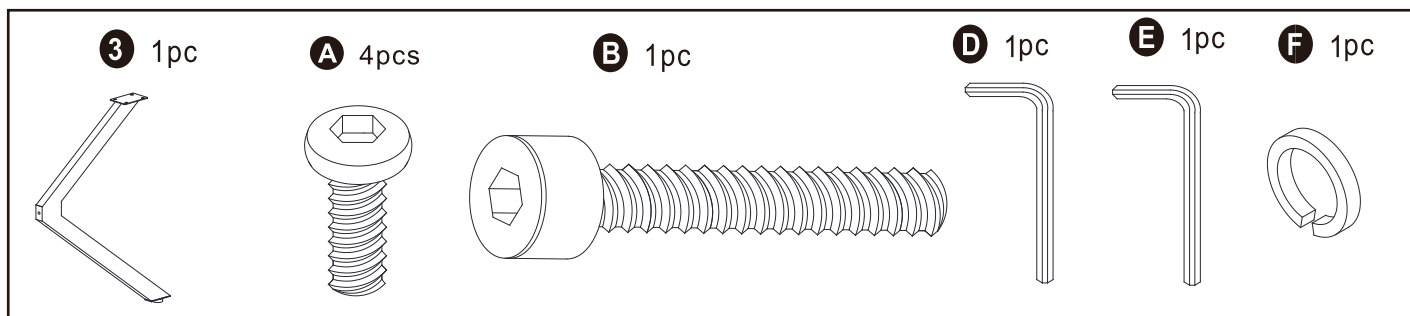
STEP 3



Attach the assembled leg portion to the tabletop. If the holes don't align, check to ensure part C is properly inserted.

Assembly

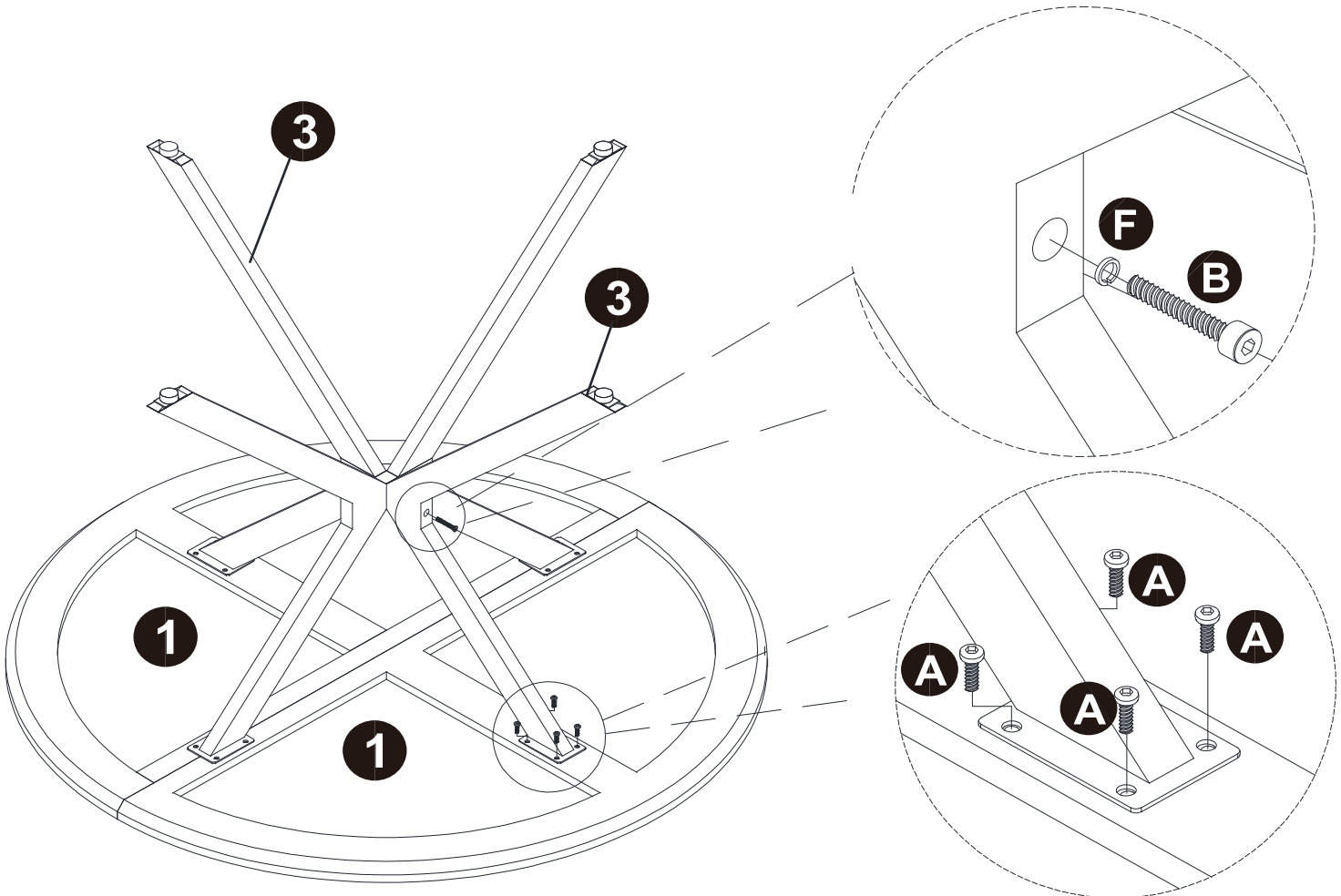
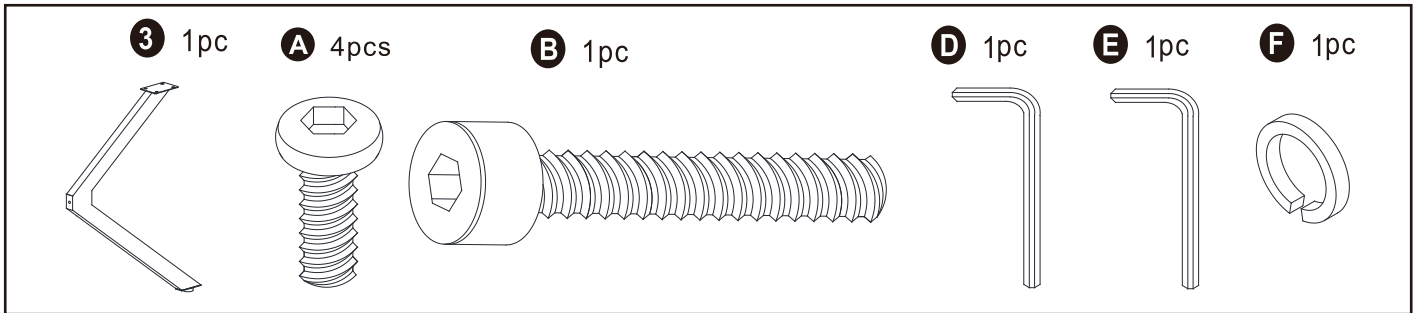
STEP 4



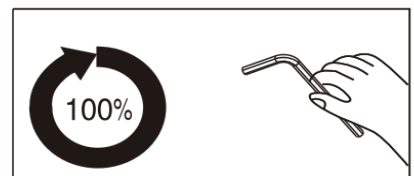
Secure part 3, but don't fully tighten all the screws until you've confirmed they're correctly positioned.

Assembly

STEP 5



Before flipping the table over, tighten all screws completely.



Assembly

