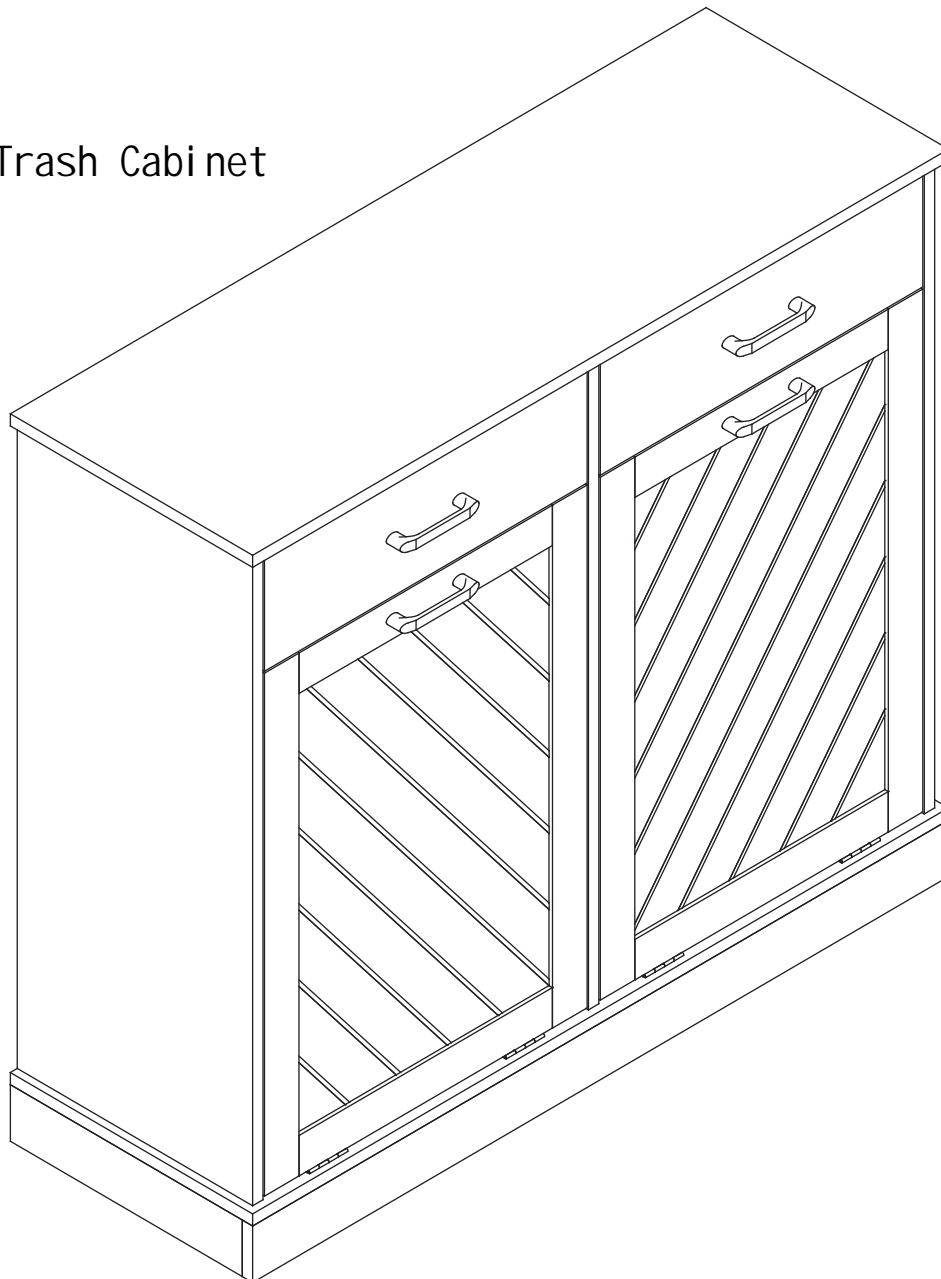


# ASSEMBLY INSTRUCTION

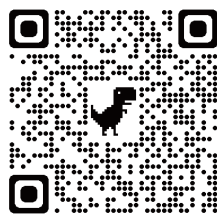
## Tilt Out Trash Cabinet



Dear customer,

Thank you for your support. If you have any questions or concerns, please don't hesitate to contact us. Our customer service team is always here to help and assist you in any way we can. Thank you again for choosing our Tilt Out Trash Cabinet.

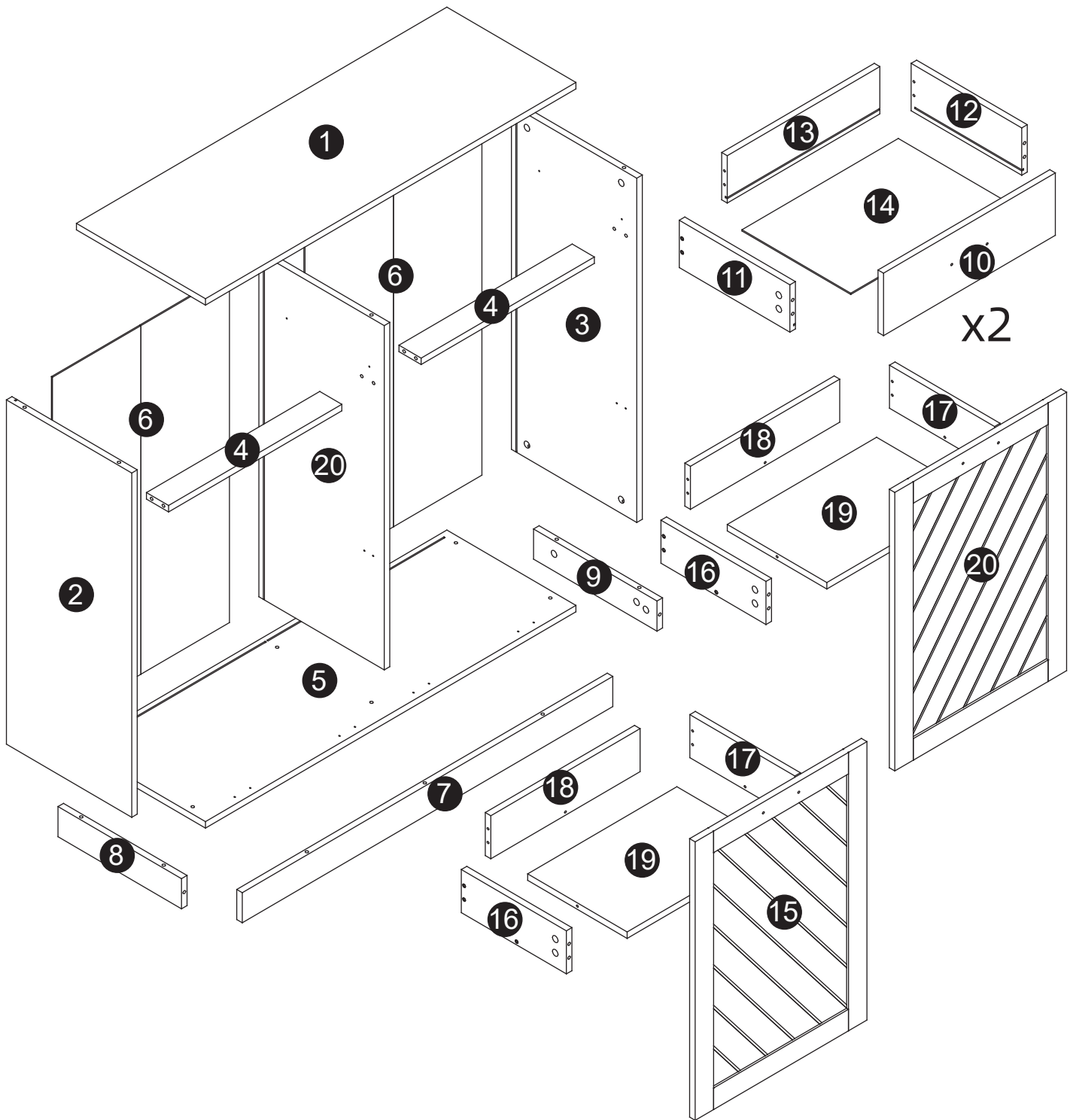
Street: 8 The Green Suite A  
City: Dover State: DE  
Post code: 19901  
Phone: 3022415039/  
6605538327  
Email: [easyhelpservice@yahoo.com](mailto:easyhelpservice@yahoo.com)  
Scan the code on your phone and  
contact us via email.



**[sannwsg.com](http://sannwsg.com)**

After-sales phone service hours:  
US Central Time: 19:00-23:00  
Seattle time: 17:00-21:00  
US Eastern Time: 20:00-00:00  
Toronto time: 20:00-00:00  
Germany time: 8:00-11:00  
After-sales mailbox service time:  
7\*24 hours

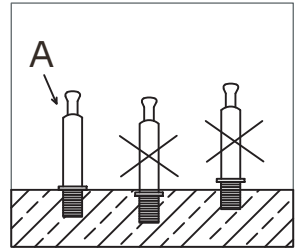
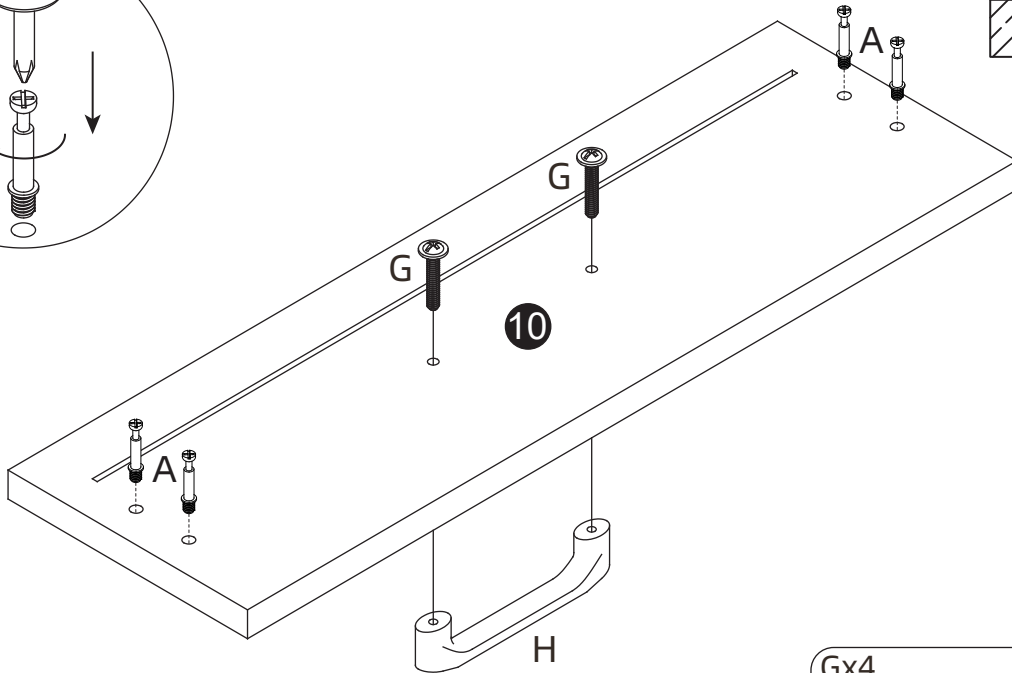
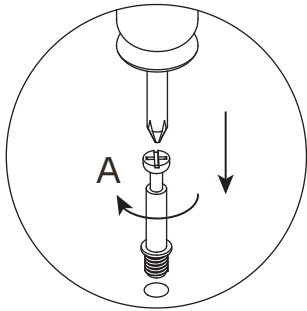
# Parts list



<p>Ax39</p>	<p>Bx39</p>	<p>Cx6</p>	<p>Dx22</p>	<p>Ex68</p>	<p>Fx4</p>
<p>Gx8</p>	<p>Hx4</p>	<p>Ix4</p>	<p>Jx12</p>	<p>Kx2</p>	<p>Lx2</p>

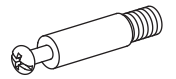
# Installation steps

## STEP 1

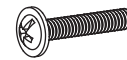


x2

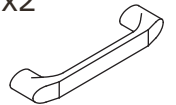
Ax8



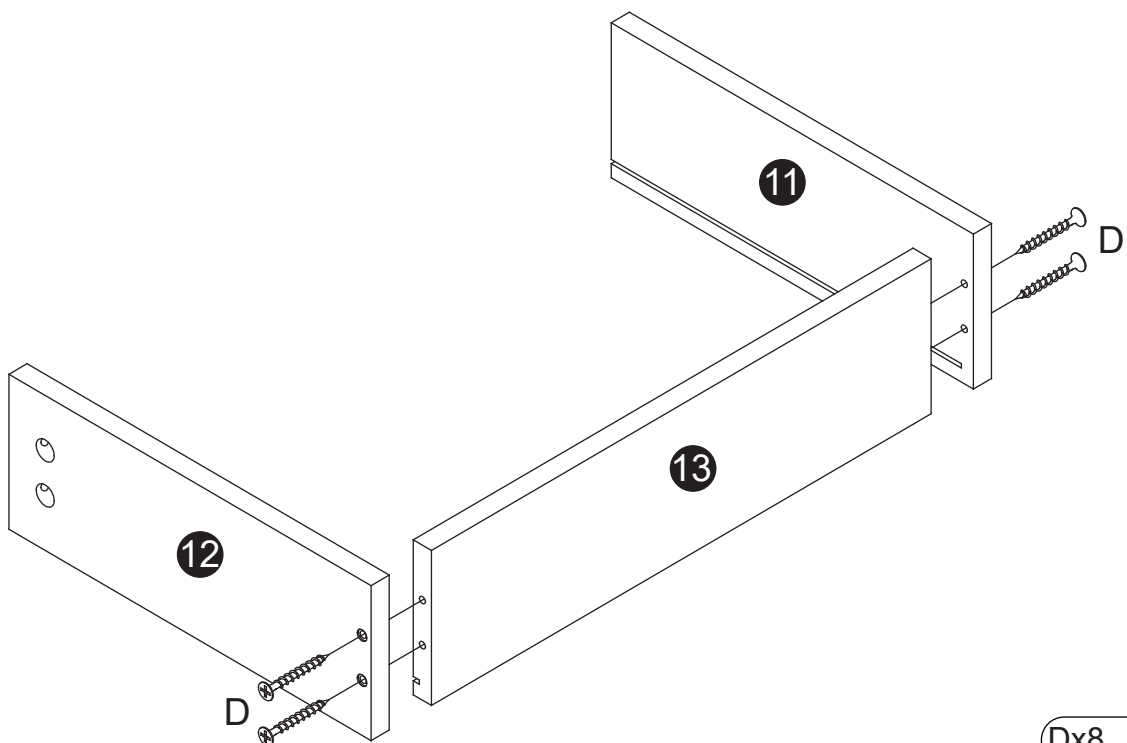
Gx4



Hx2

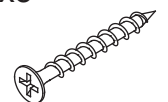


## STEP 2



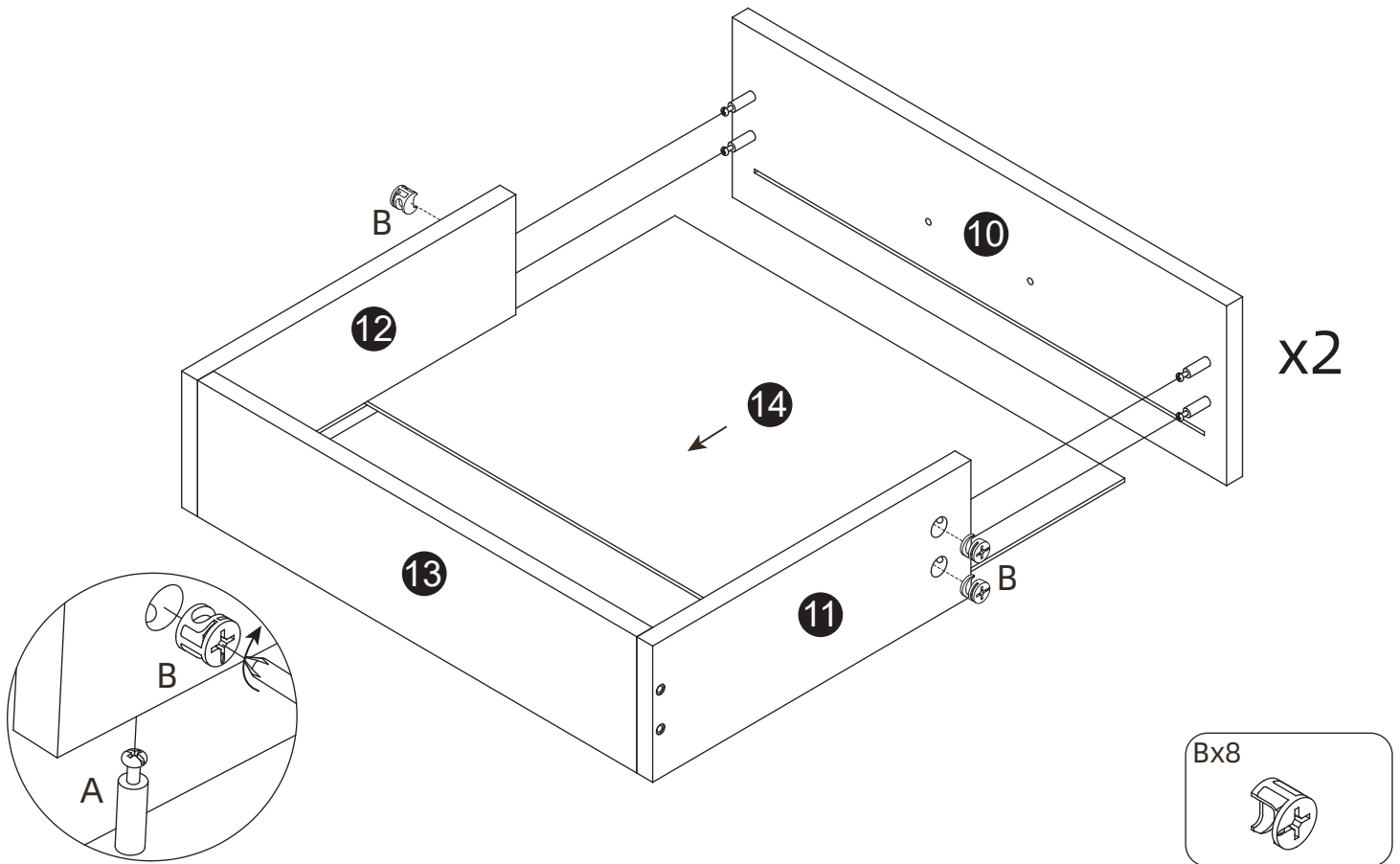
x2

Dx8

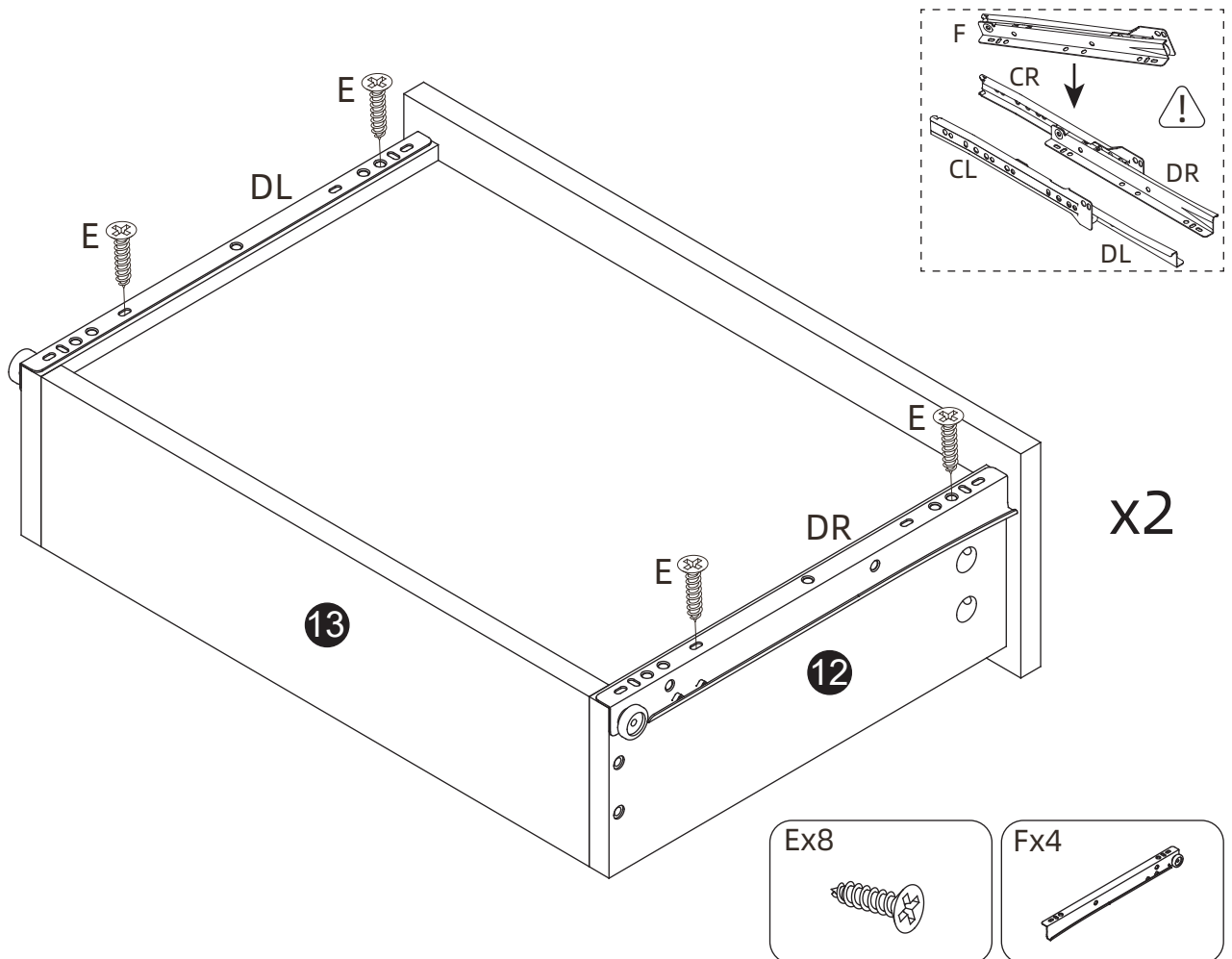


# Installation steps

## STEP 3

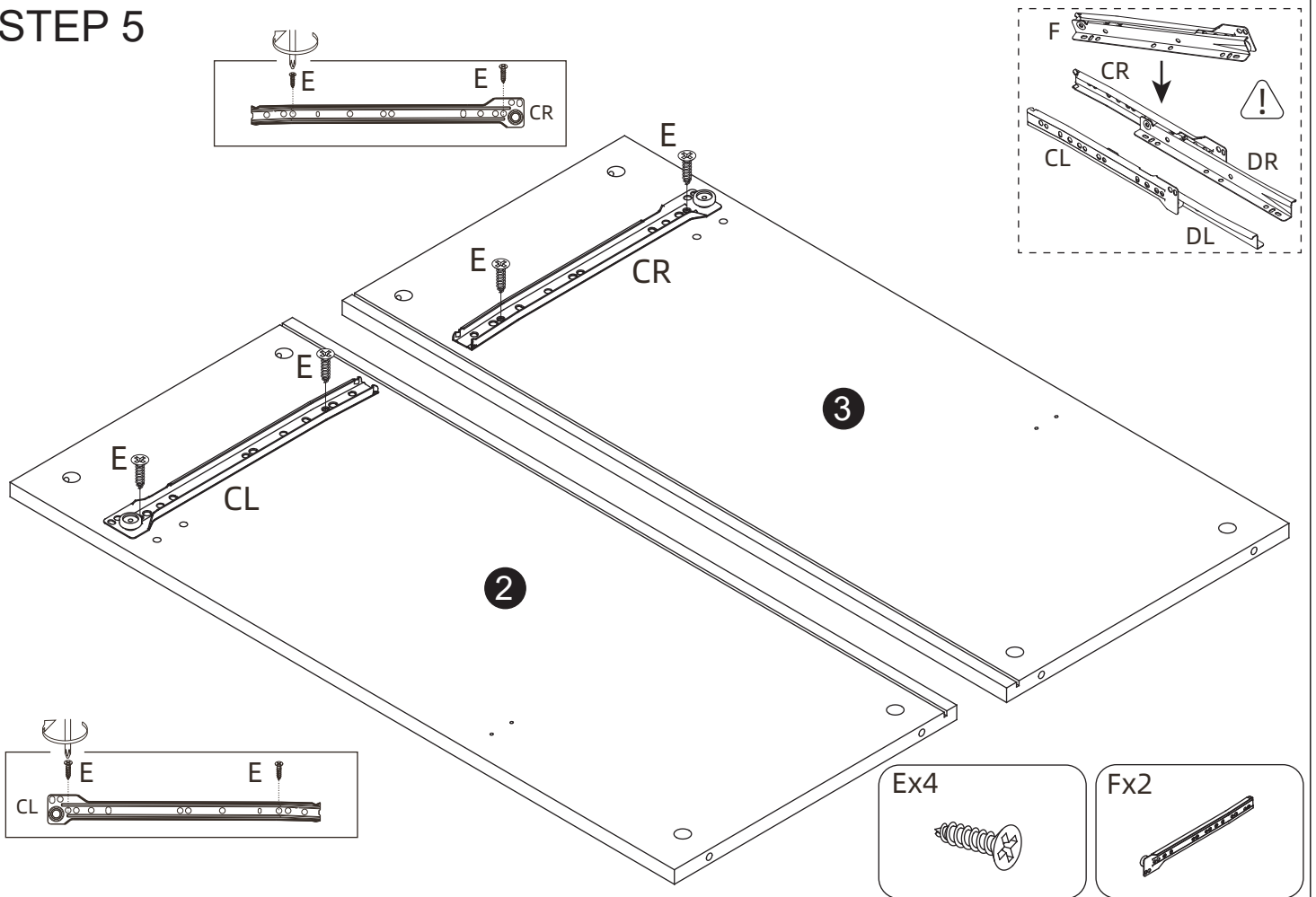


## STEP 4

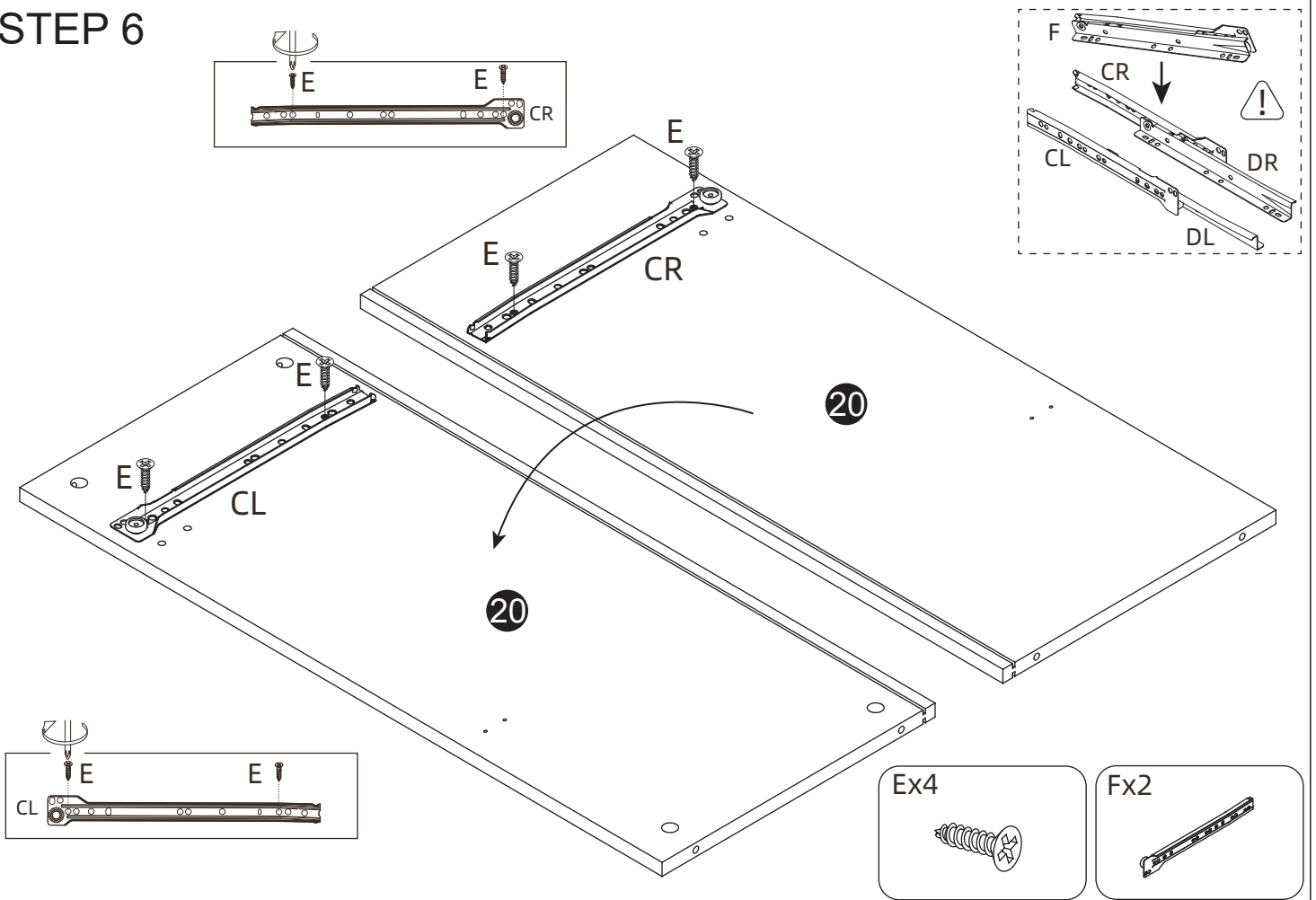


# Installation steps

## STEP 5

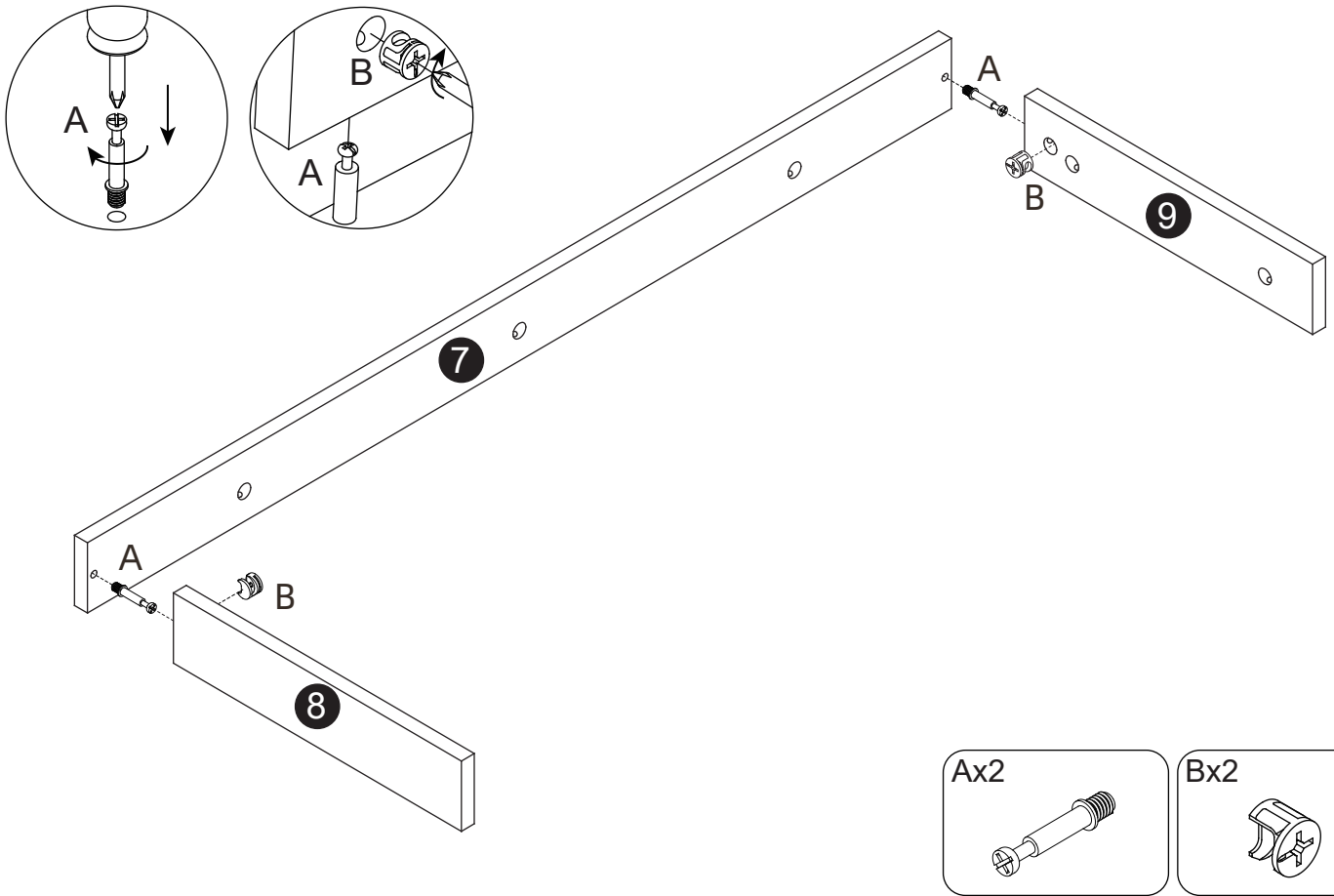


## STEP 6

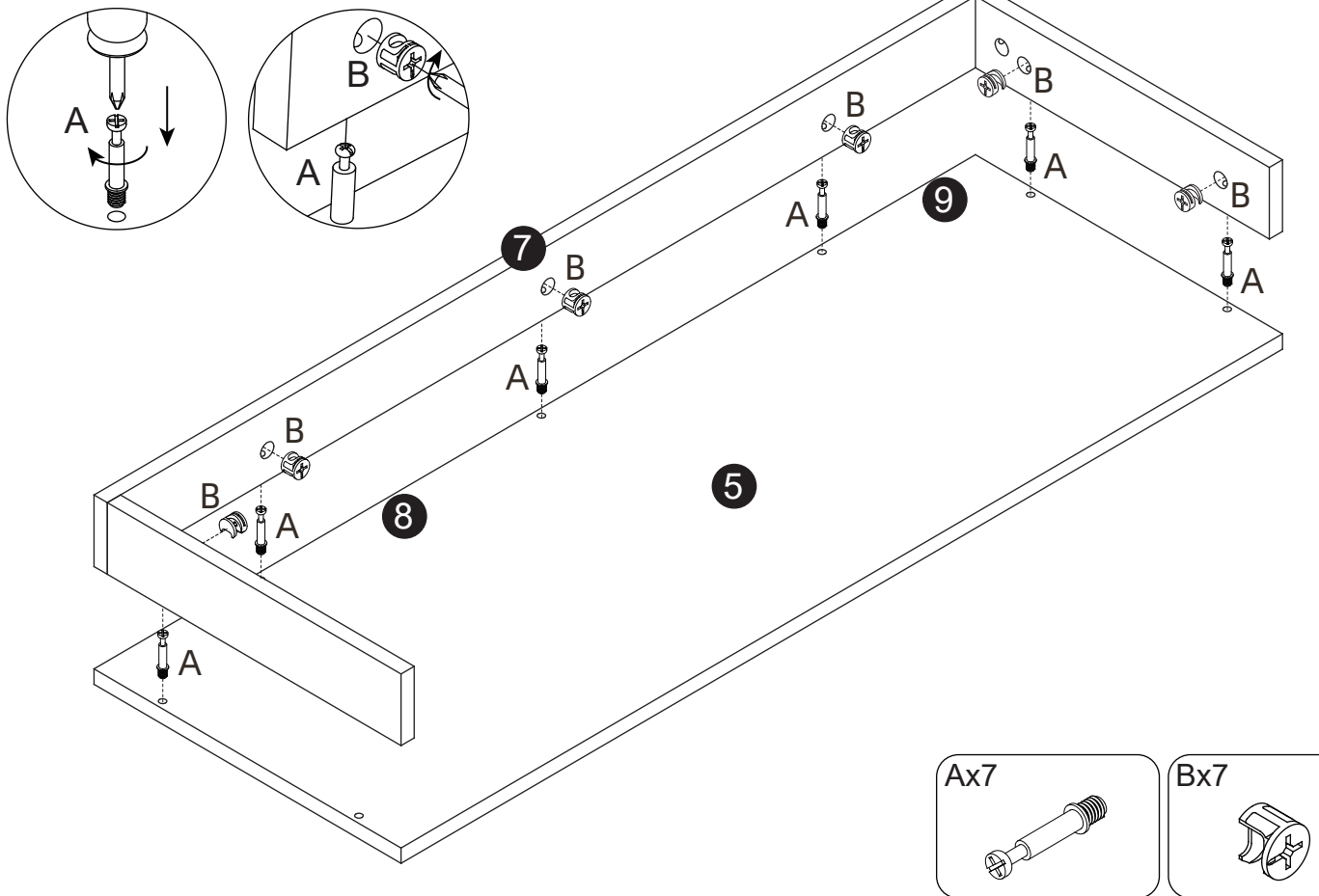


# Installation steps

## STEP 7

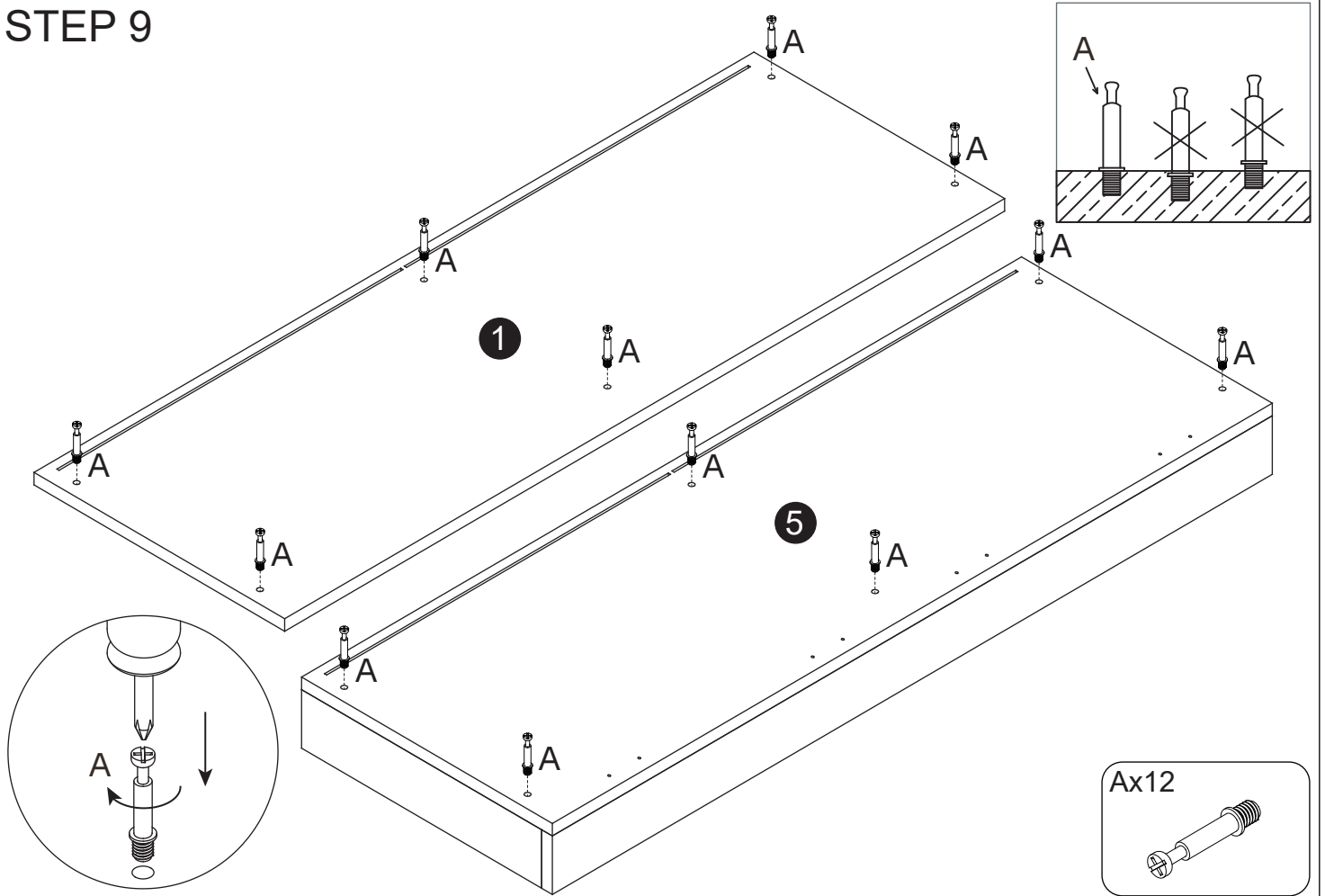


## STEP 8

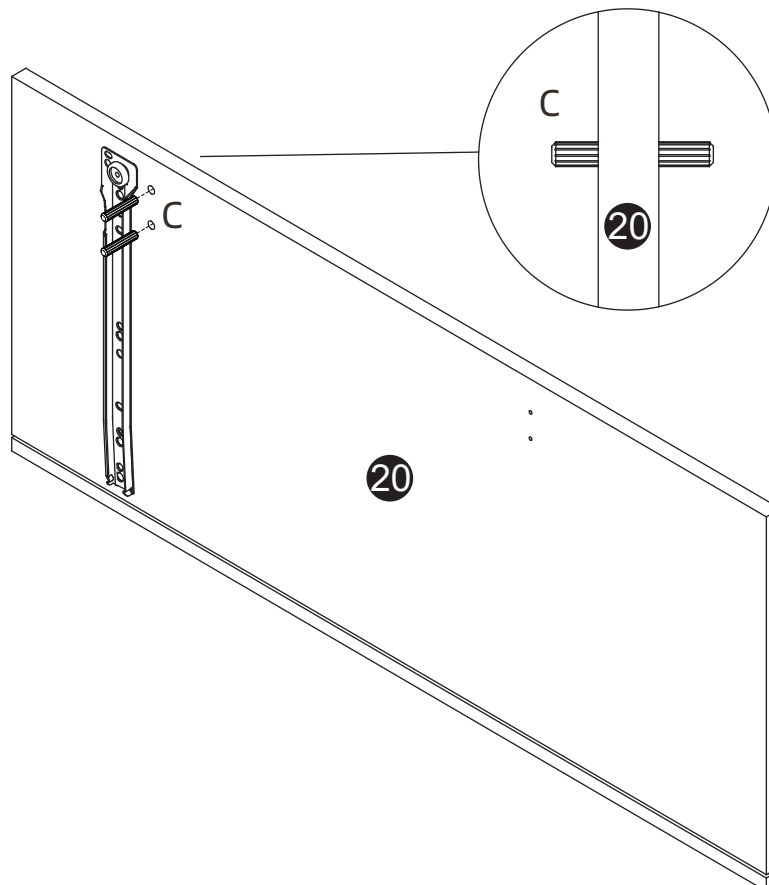


# Installation steps

## STEP 9

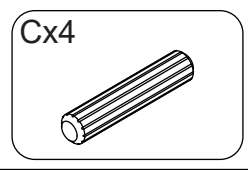
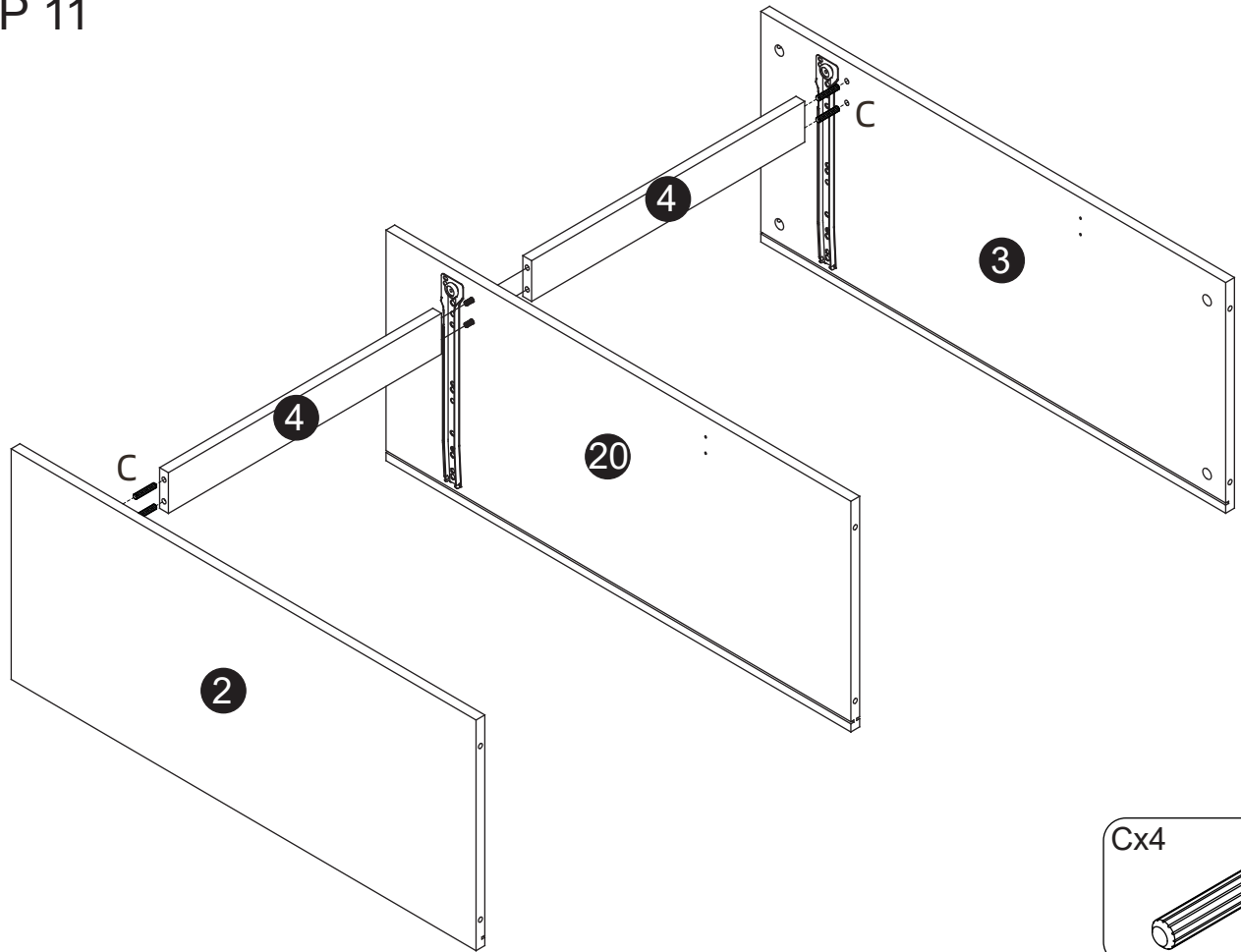


## STEP 10

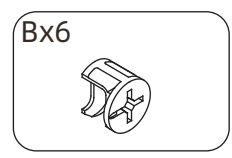
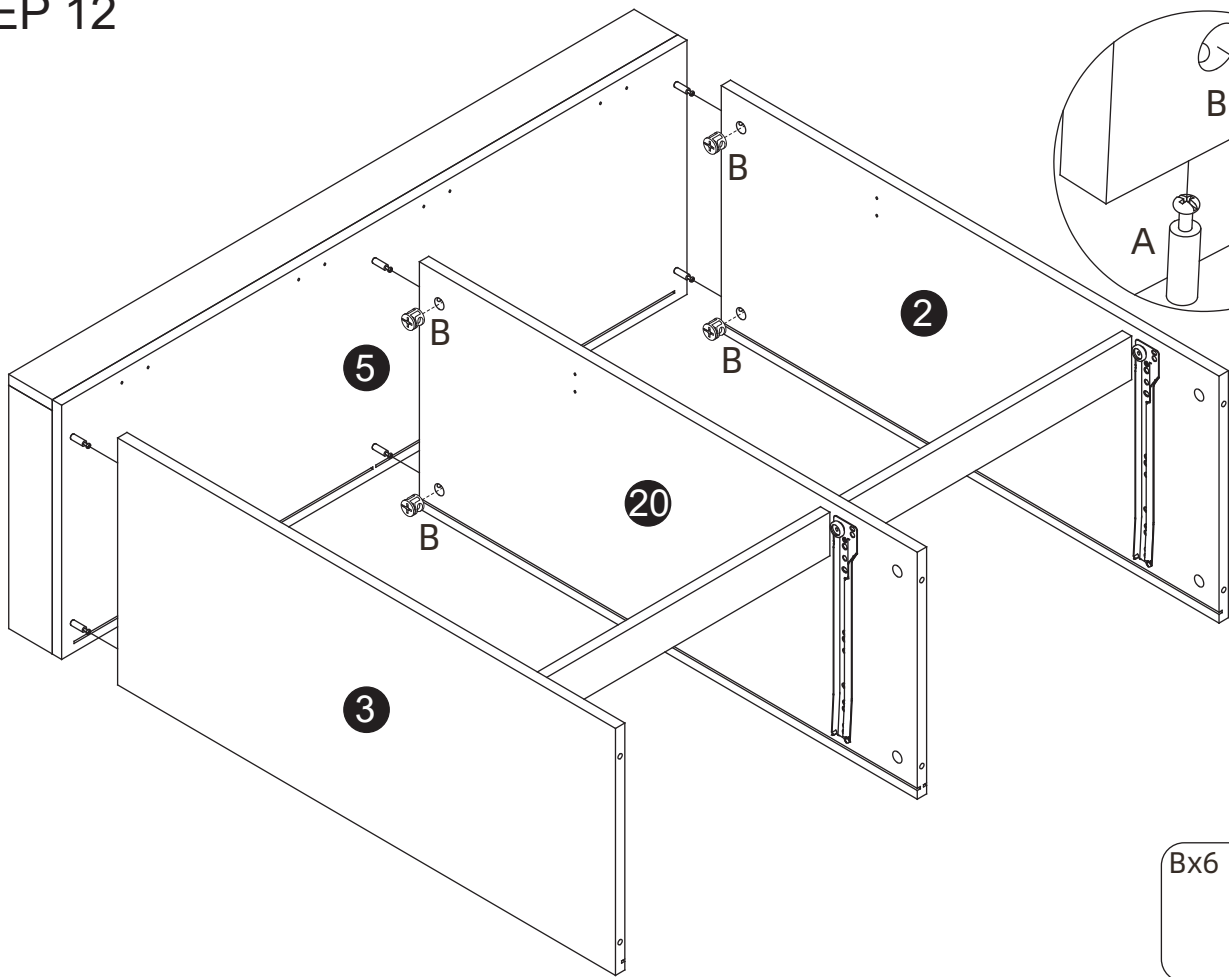


# Installation steps

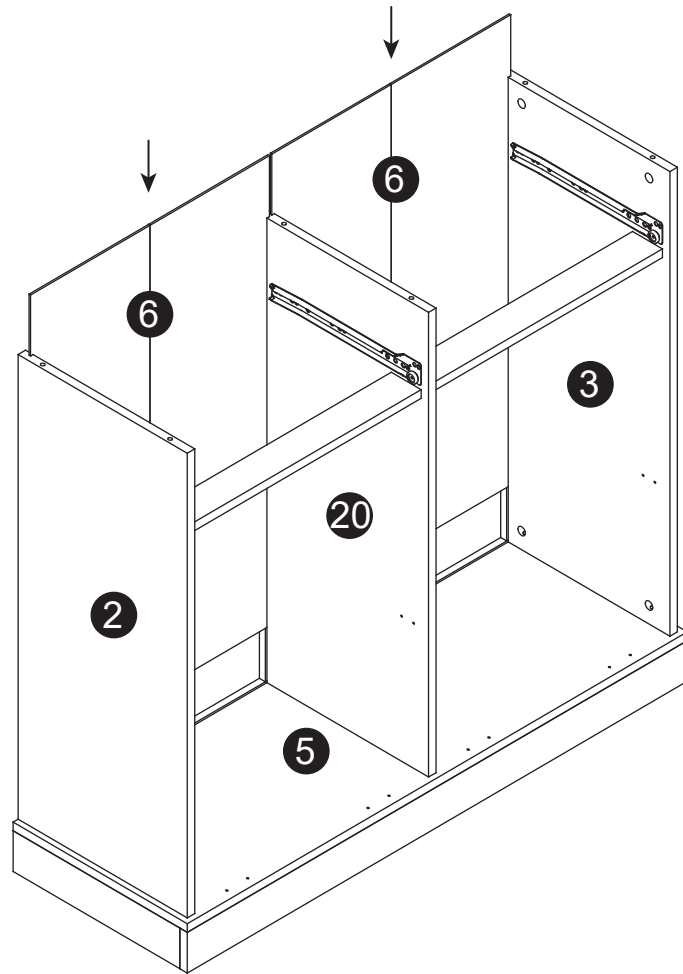
## STEP 11



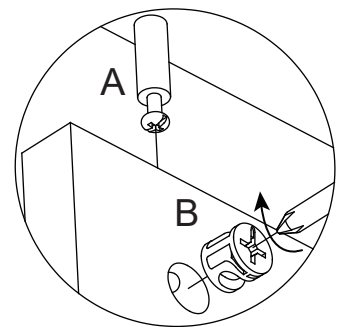
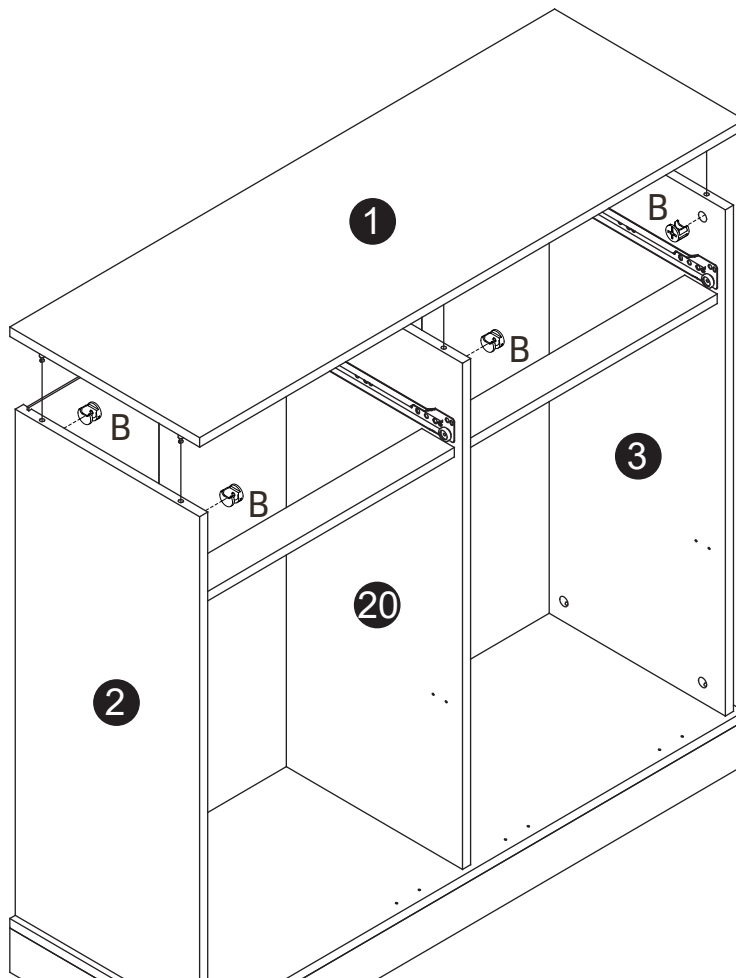
## STEP 12



## STEP 13



## STEP 14

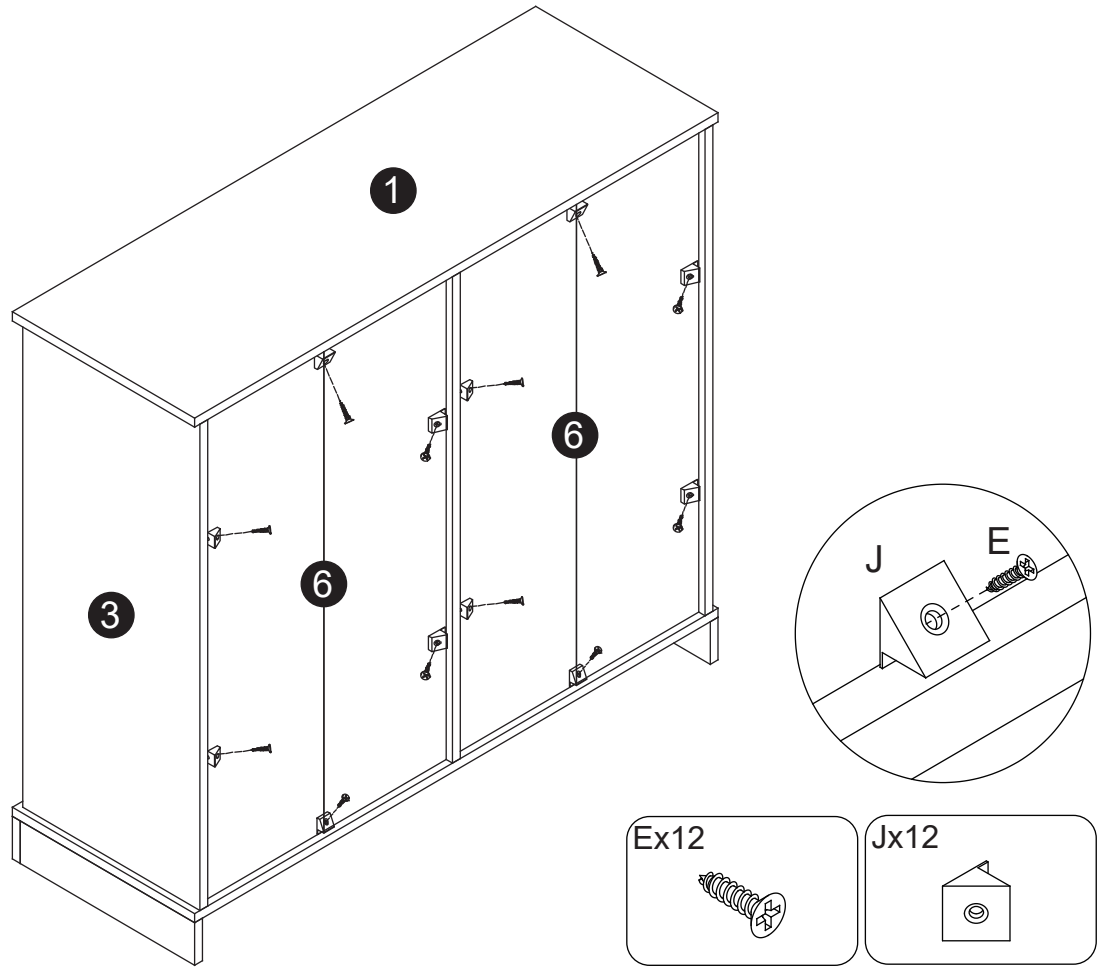


Bx6

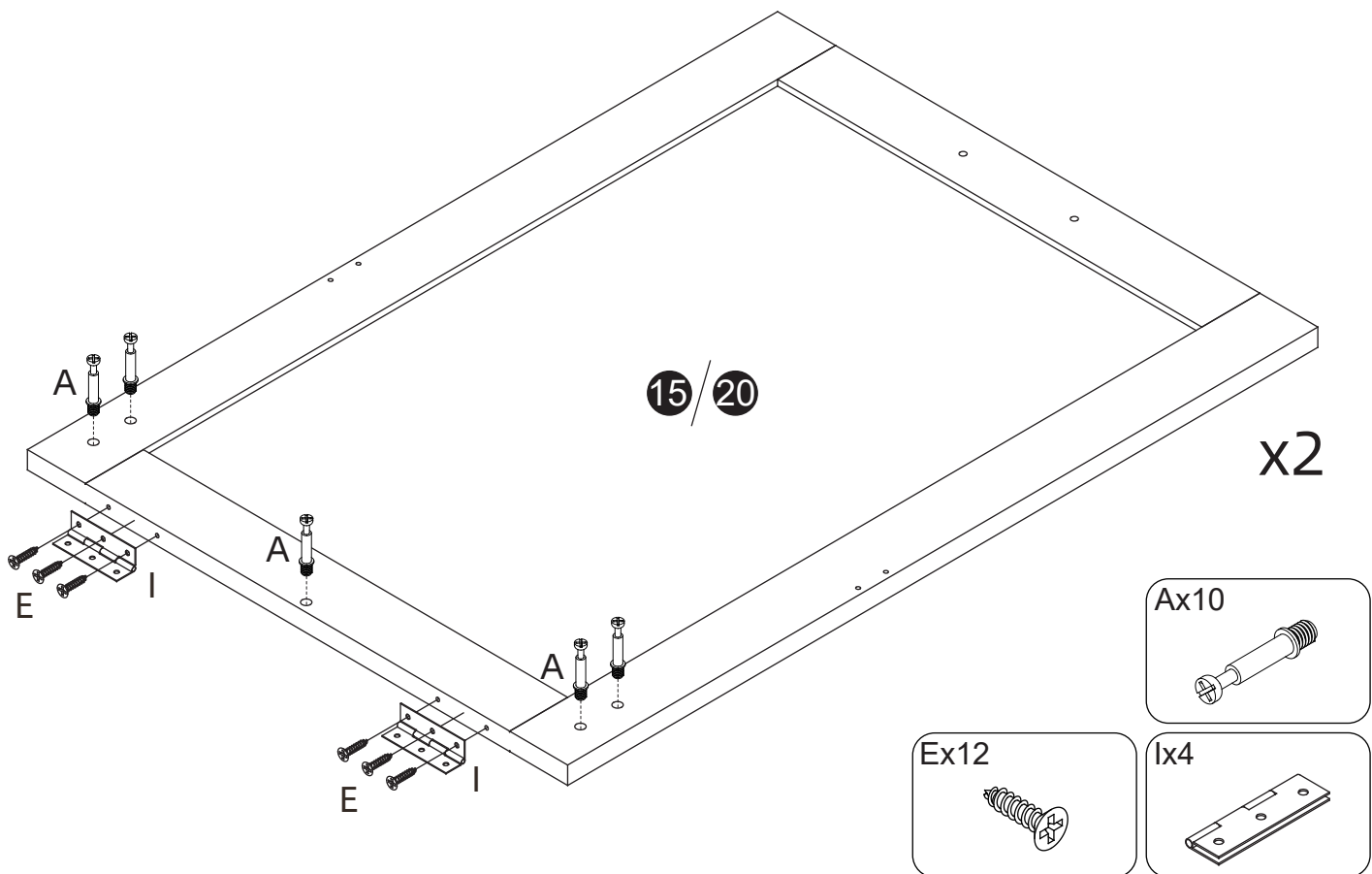


# Installation steps

## STEP 15

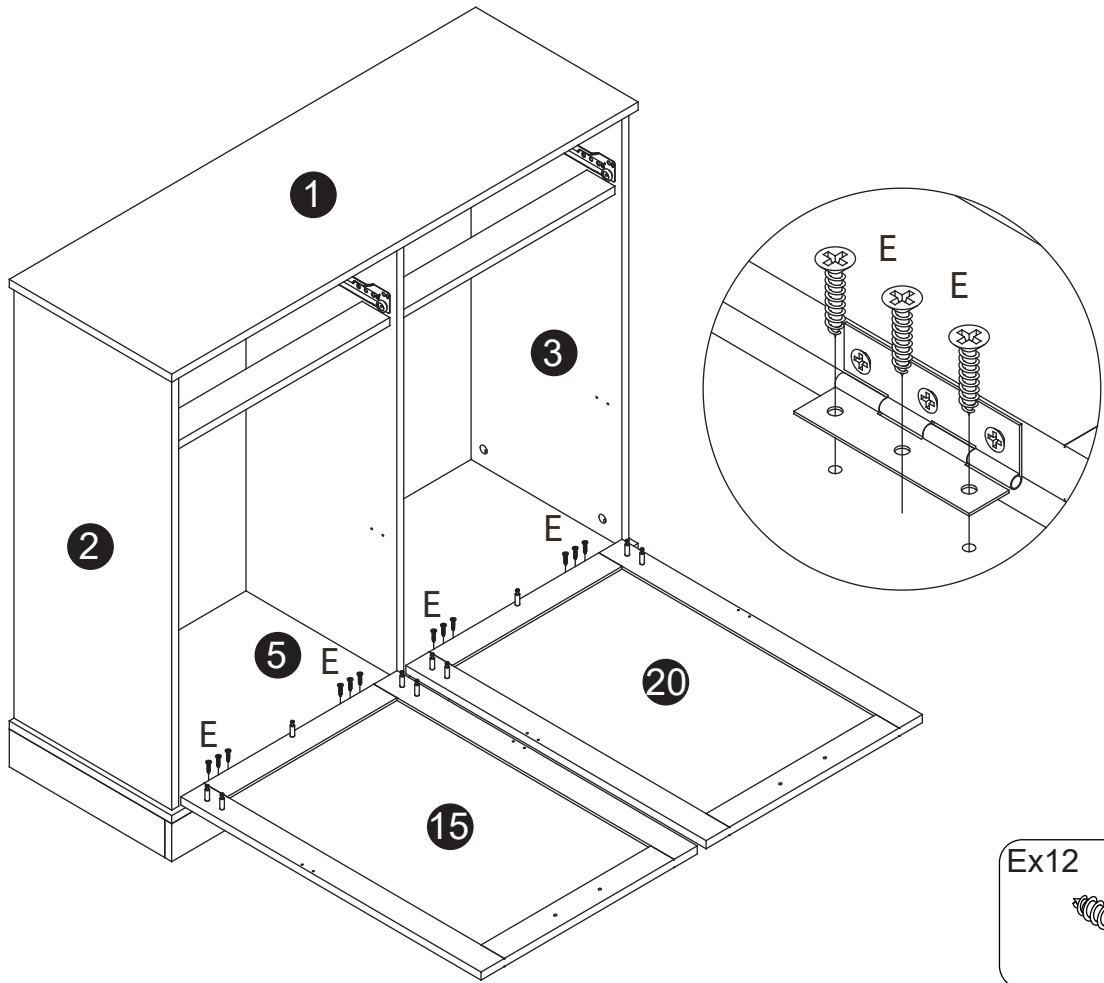


## STEP 16

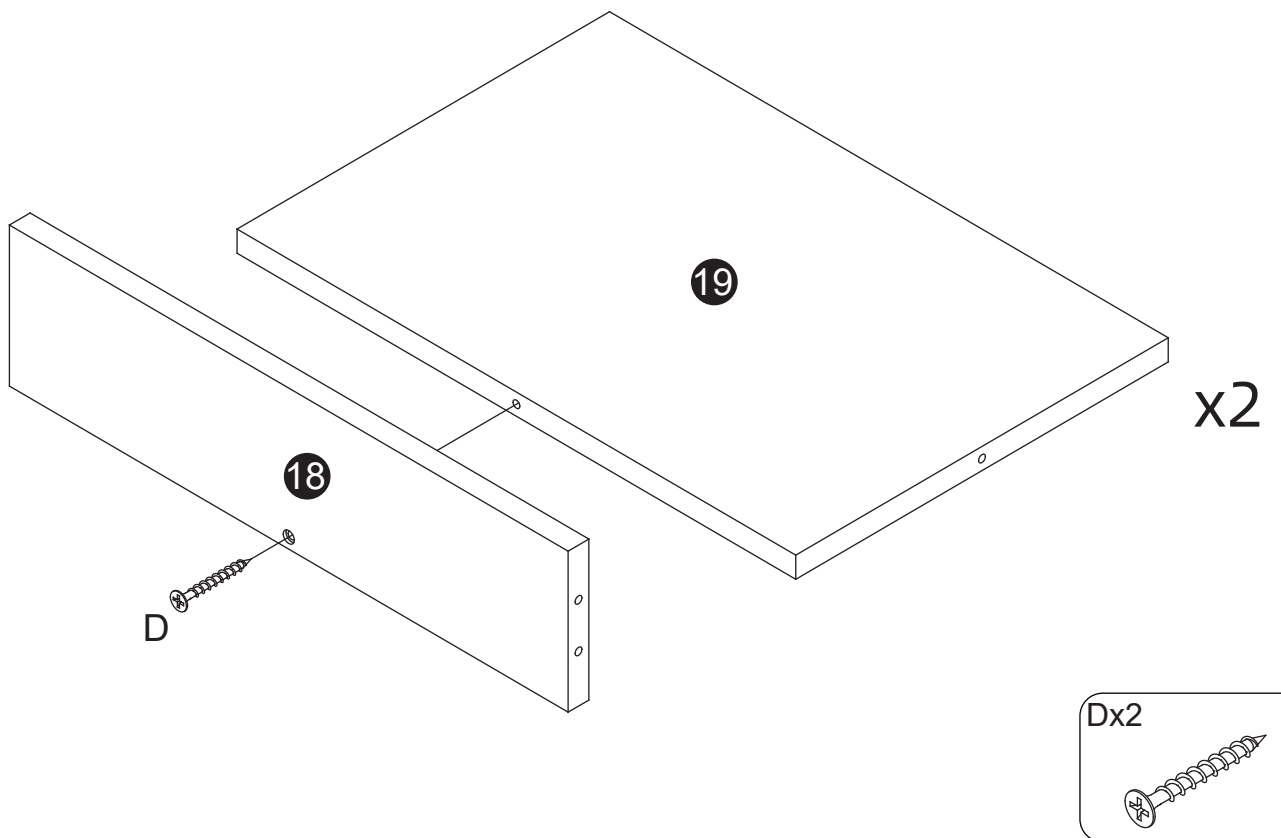


# Installation steps

## STEP 17

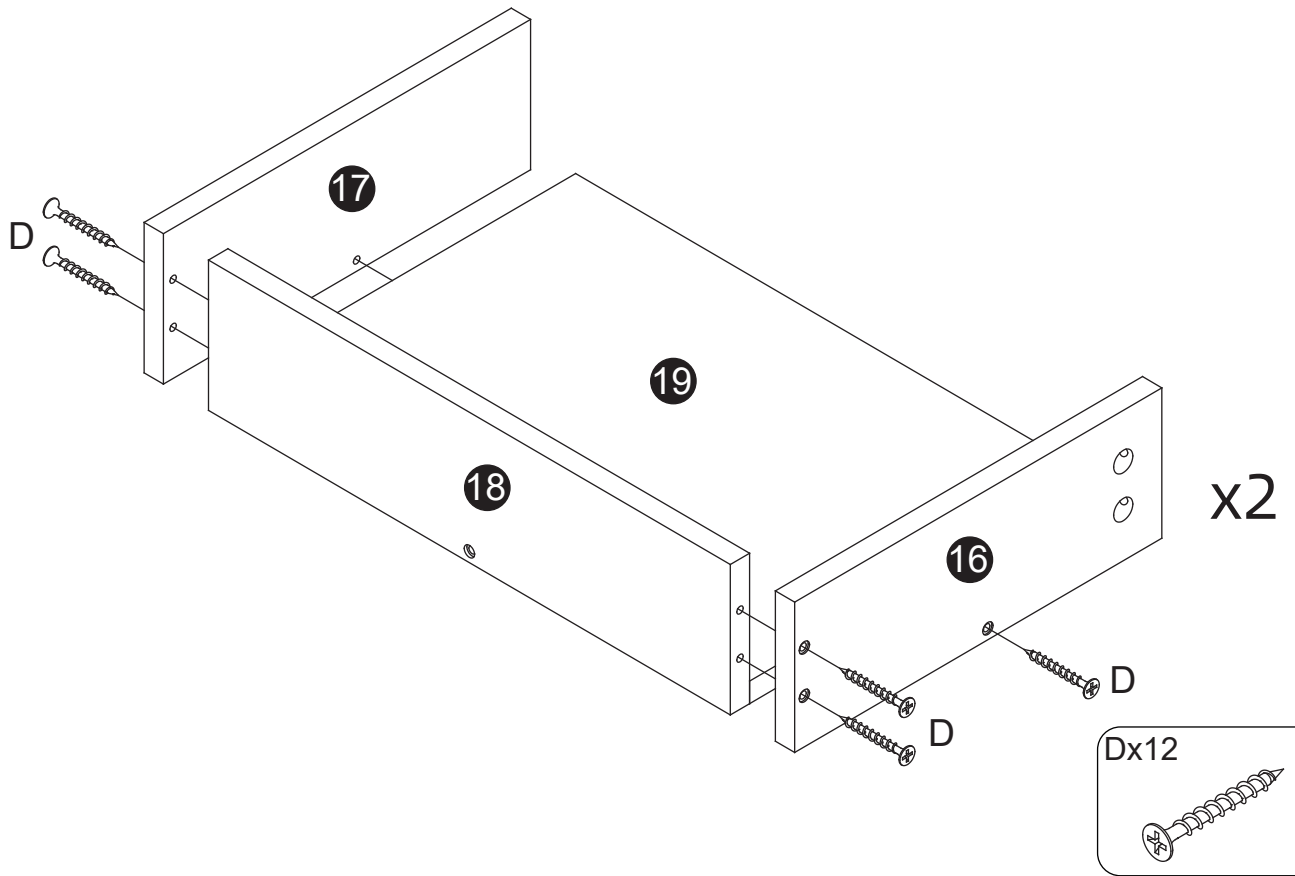


## STEP 18

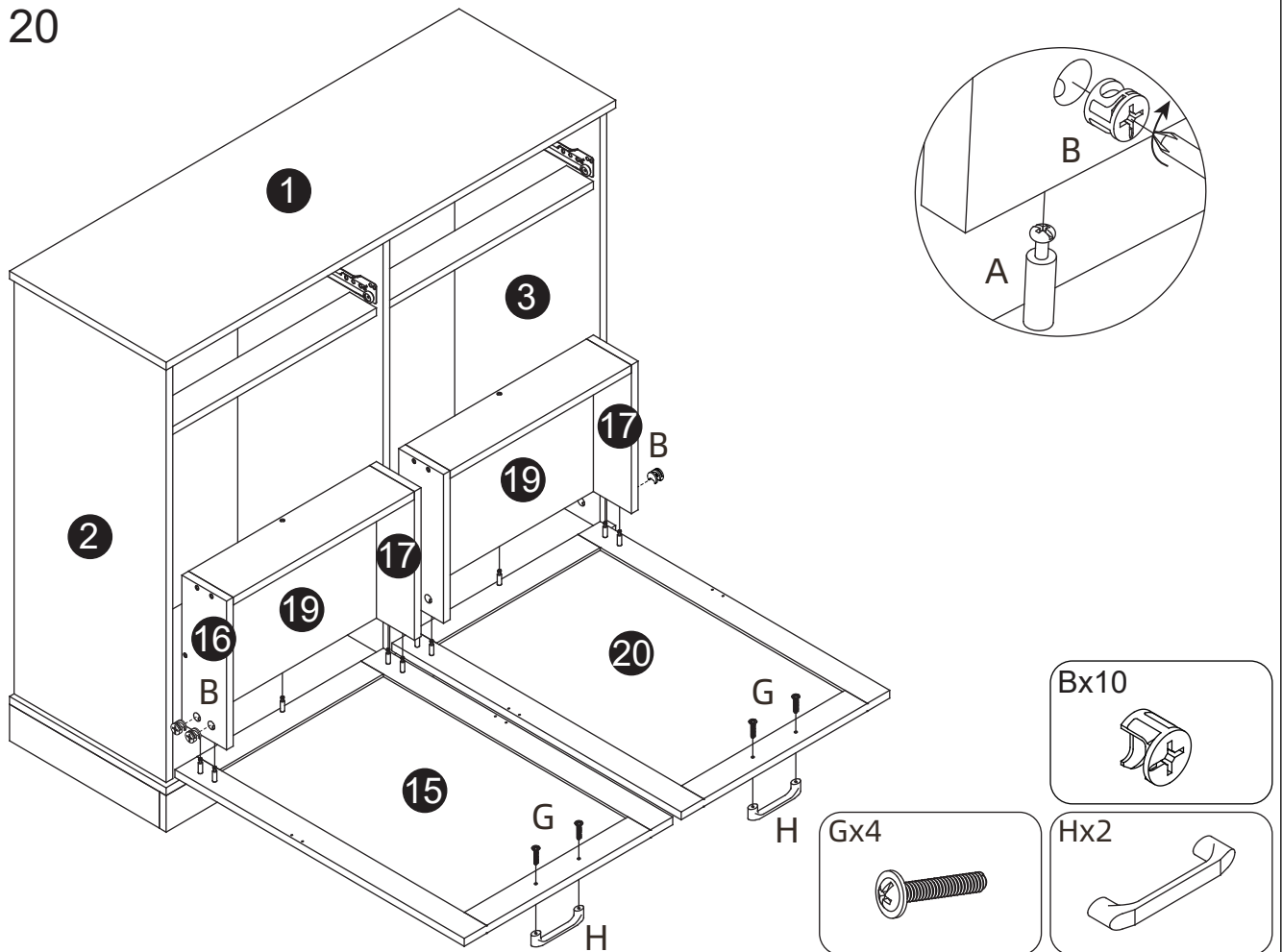


# Installation steps

## STEP 19

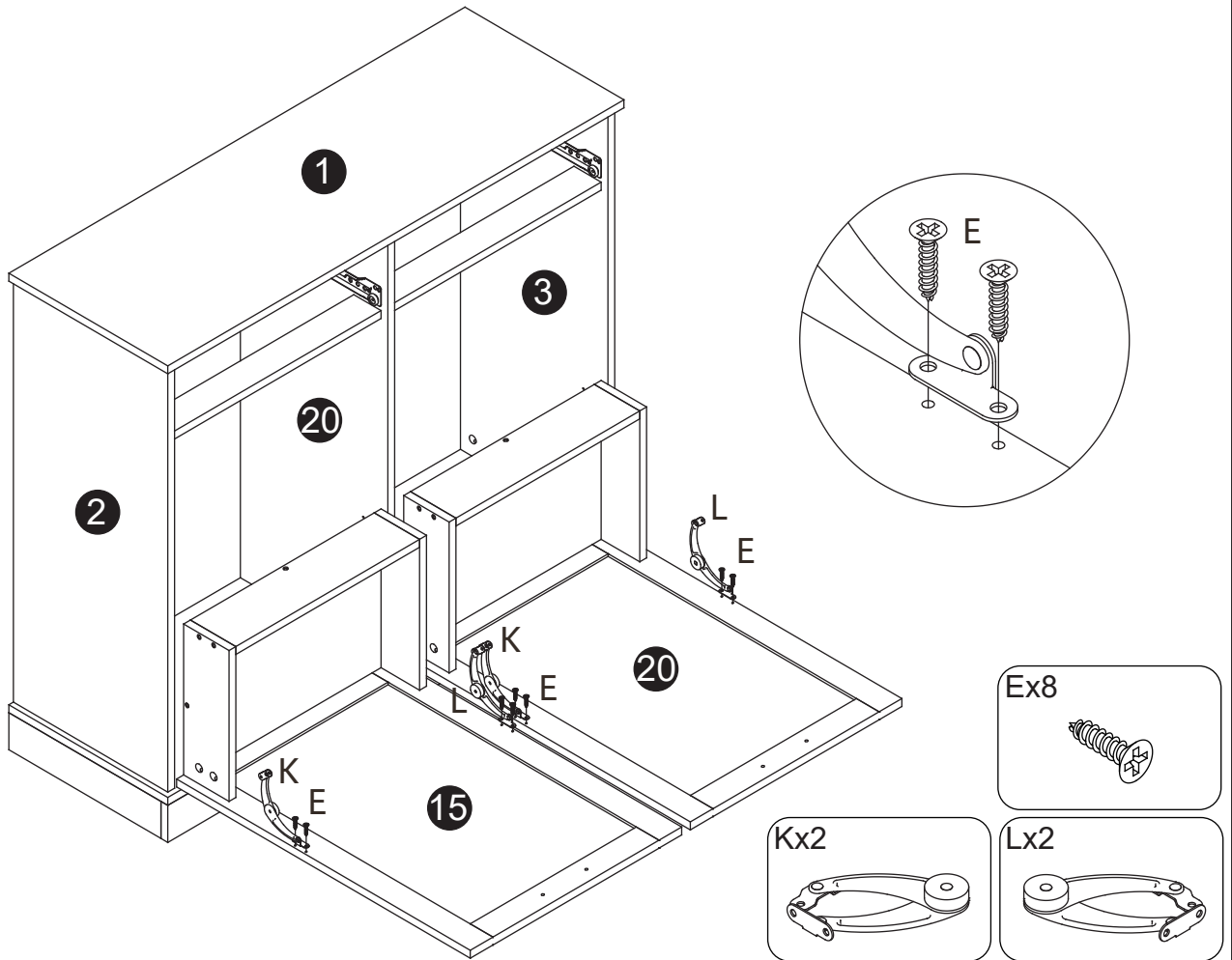


## STEP 20

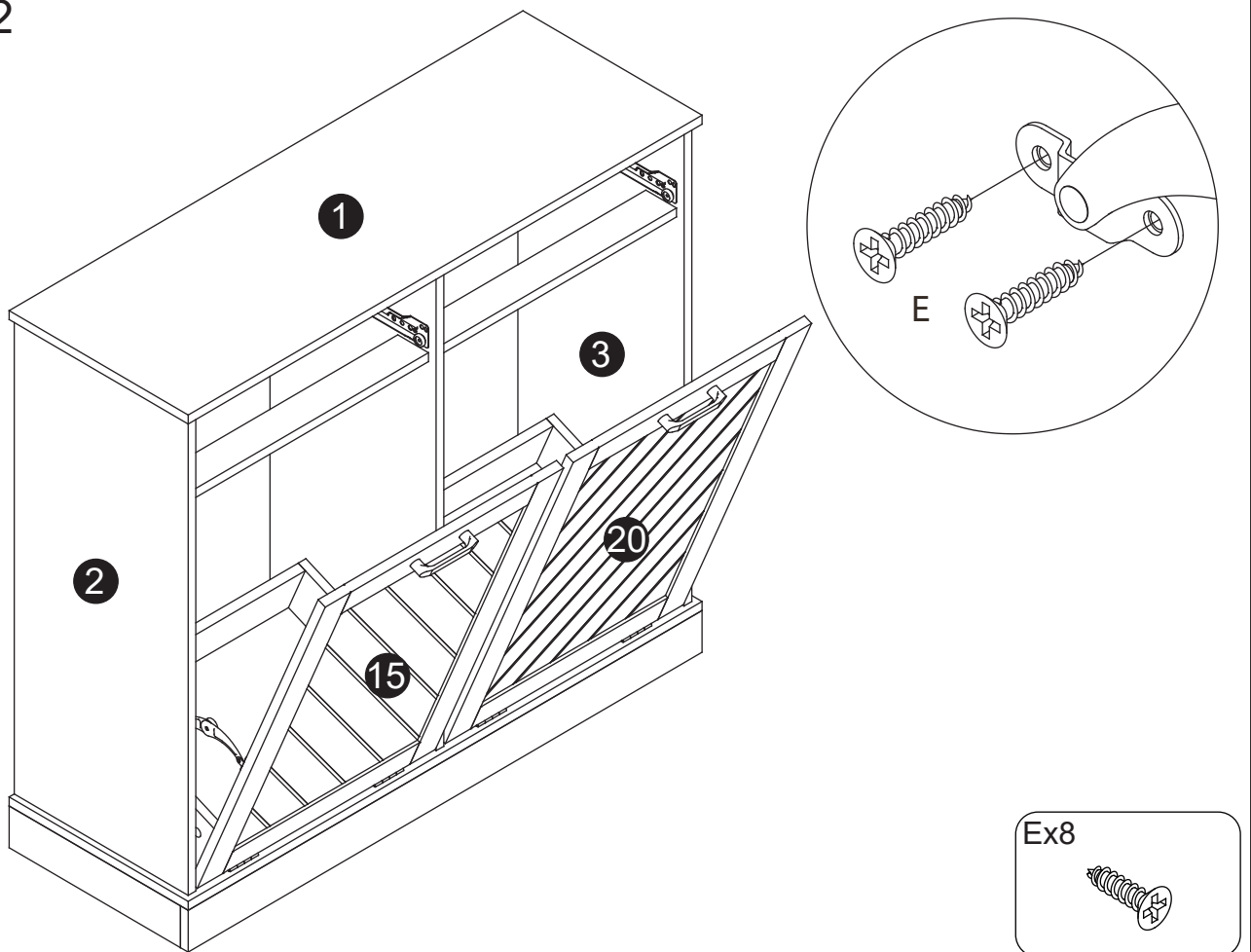


# Installation steps

## STEP 21

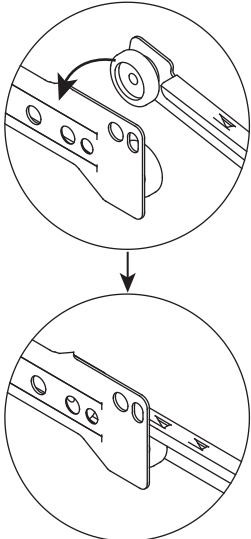
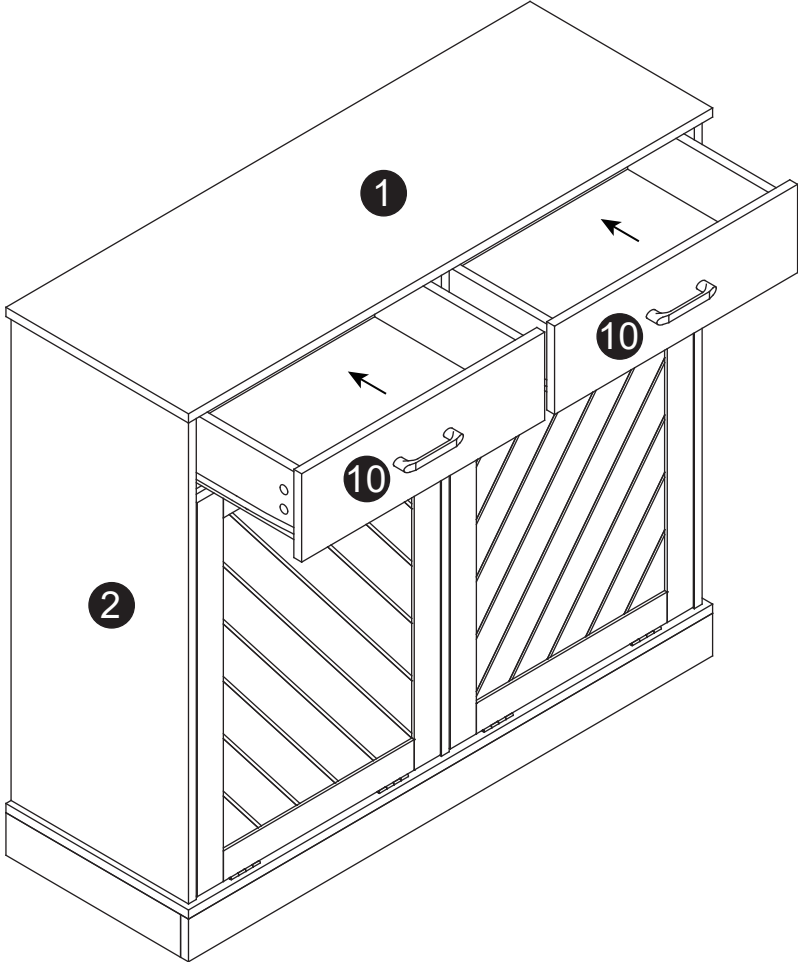


## STEP 22



# Installation steps

## STEP 23



## STEP 24

