

ASSEMBLY INSTRUCTIONS



CAUTION

◆ Inspect the wire insulation for any cuts, abrasions, or exposed copper that may have resulted during shipping. If there is a defect in the wire, do not attempt installation.

◆ Before starting installation of this fixture or removal of a previous fixture, disconnect the power by turning off the circuit breaker or by removing the fuse at the fuse box.

TOOLS REQUIRED



Ladder



Safety glasses



Electrical tape



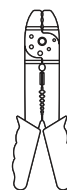
Phillips screwdriver



Flat blade screwdriver

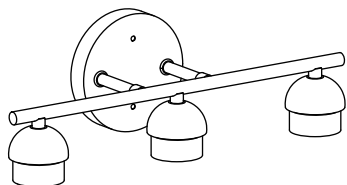


Pliers

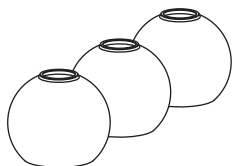


Wire strippers

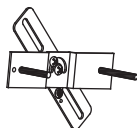
HARDWARE INCLUDED



Fixture



Glass shade



Mounting Unit



Ball Nuts



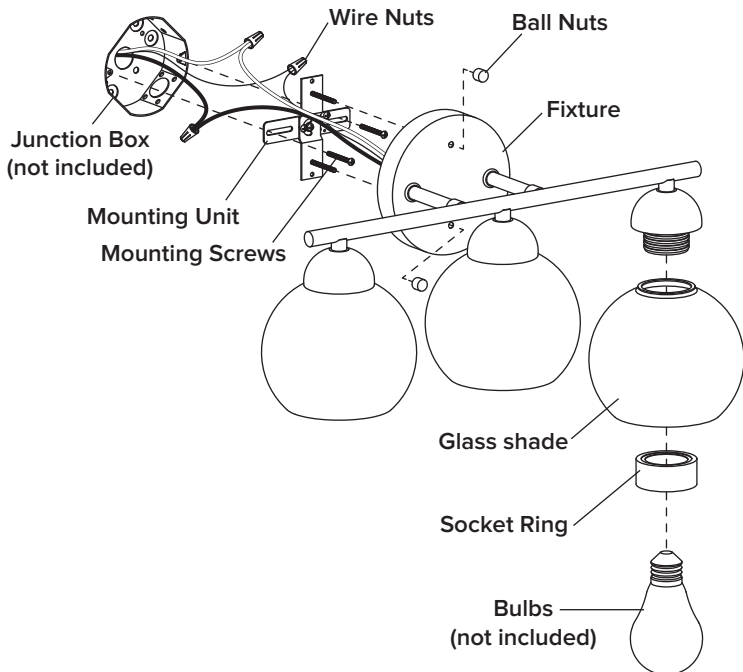
Mounting Screws



Wire Nuts

***PARTS SHOWN MAY DIFFER SLIGHTLY PER LIGHT FIXTURE**

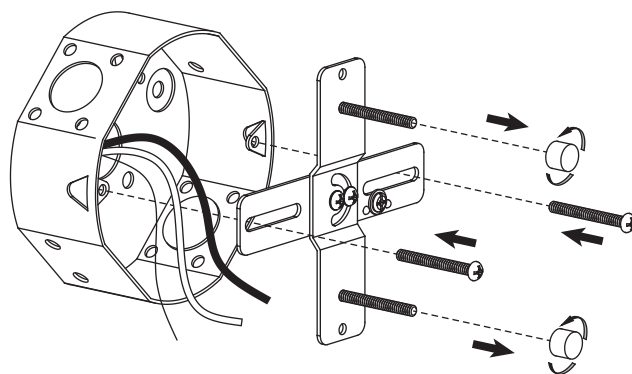
EXPLODED PARTS



INSTALLATION

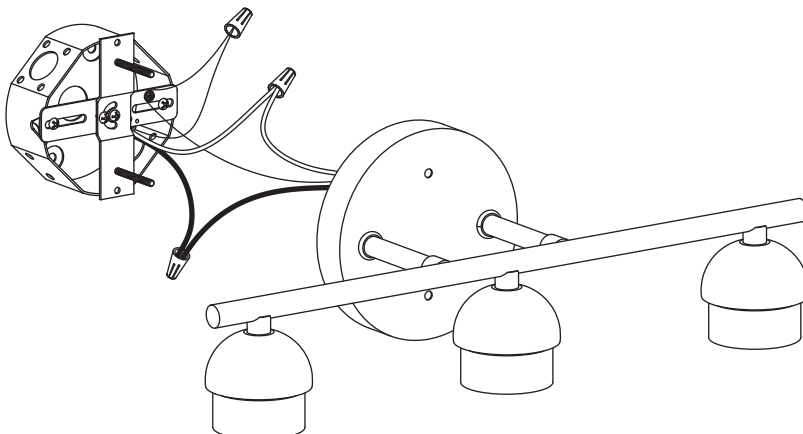
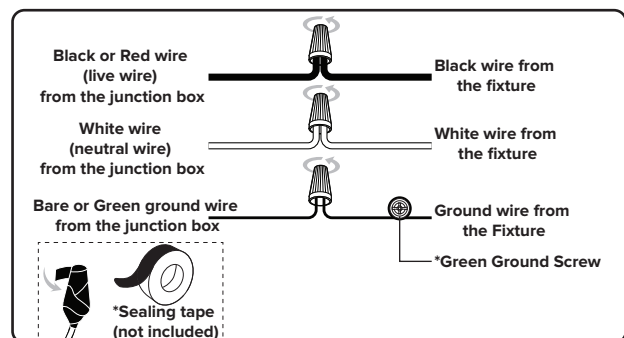
STEP 1

Unscrew the **ball nuts** from the **mounting unit**. Use the **mounting screws** to attach the **mounting unit** to the junction box (not included).



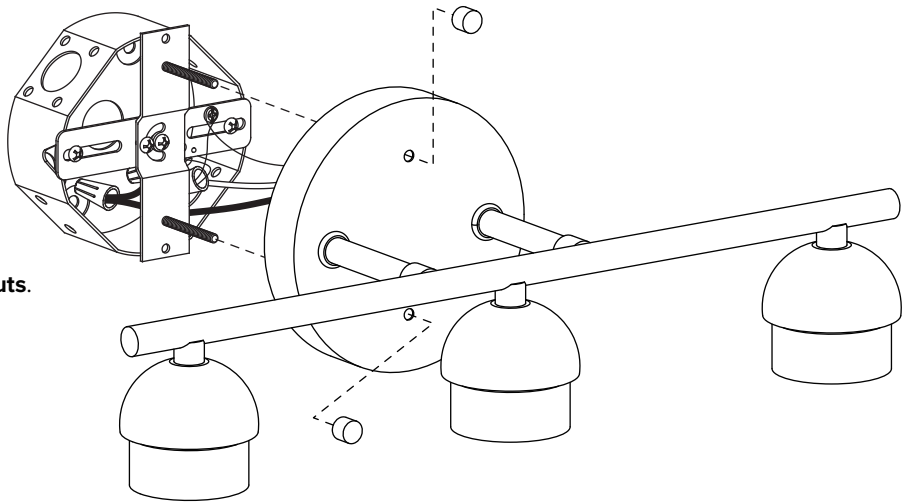
STEP 2

Make the electrical connection from the junction box (not included) to the **fixture**. Connect the ground wire to the **mounting unit** using the preinstalled green ground screw. Next, connect the live wire, neutral wire and ground wires with the supplied **wire nuts**. Secure with electrical tape.



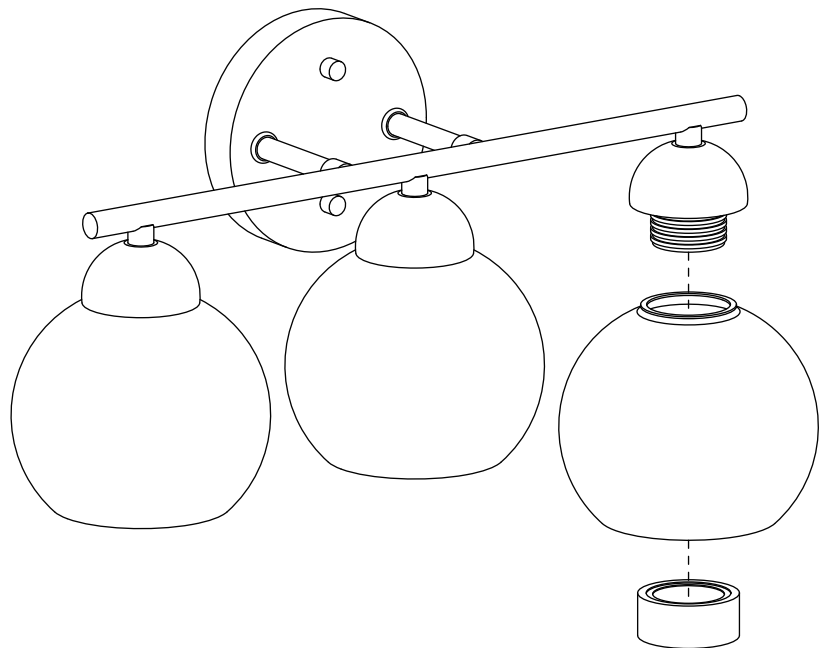
ASSEMBLY INSTRUCTIONS

*junction box
(not included)



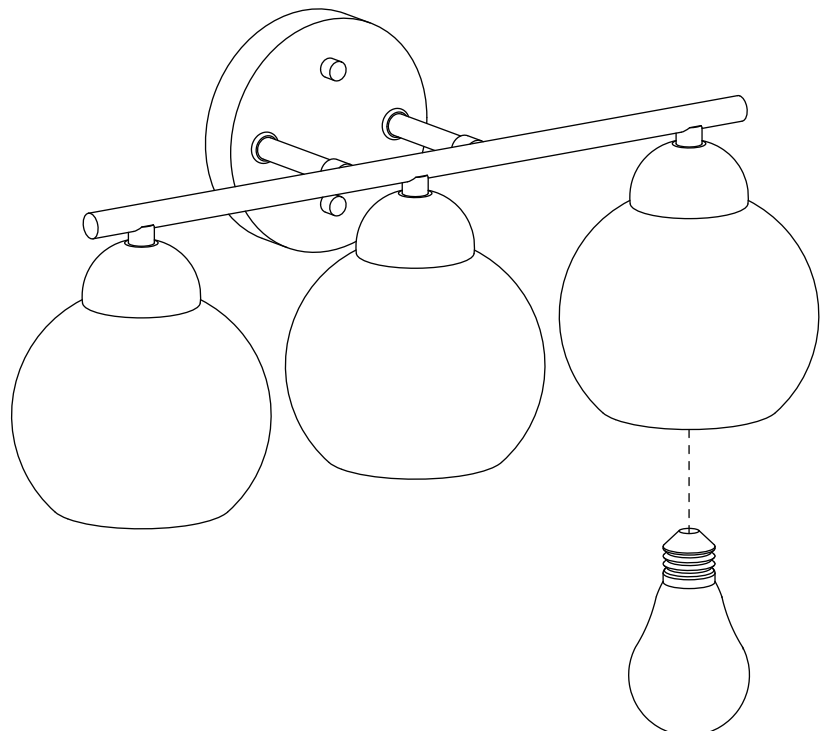
STEP 3

Attach the **fixture** to the **mounting unit** through **screw holes** as shown, and secure it with **ball nuts**.



STEP 4

Remove the **socket rings** from the socket. Attache the **glass shade** onto **fixture** using **socket rings**.



STEP 5

Install bulbs (not included).
