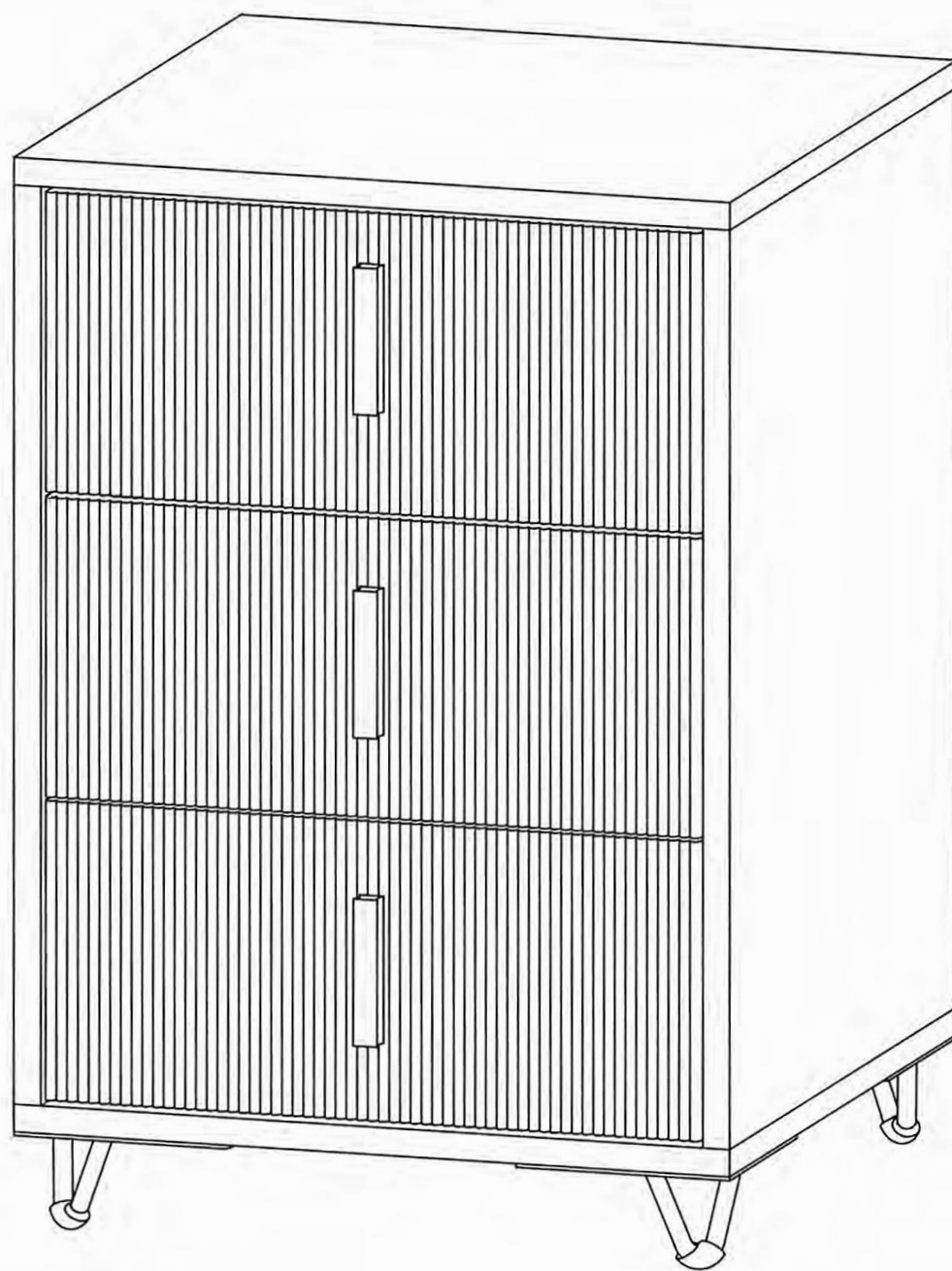
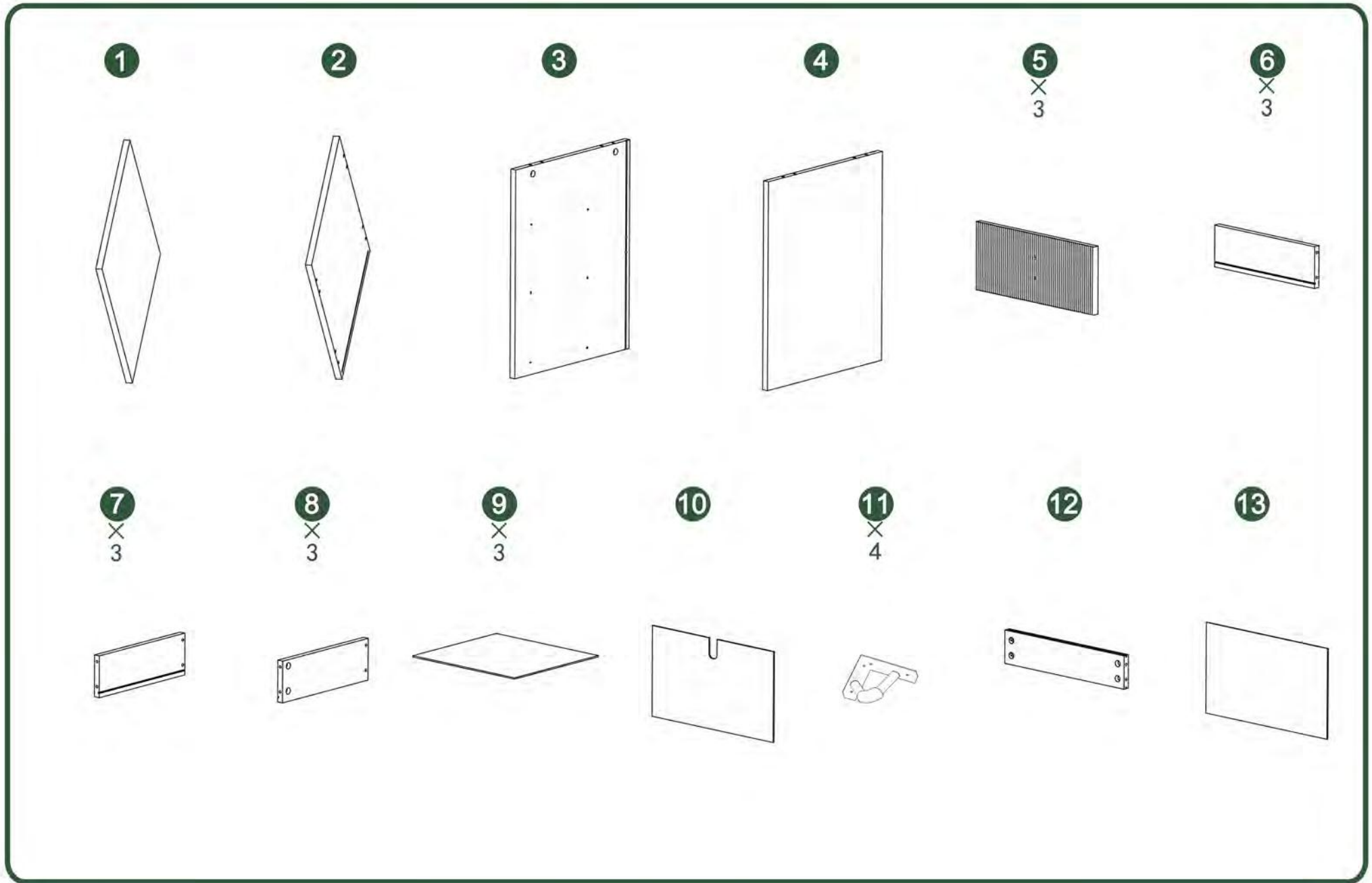
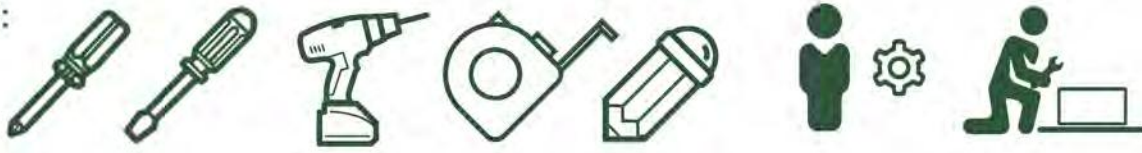
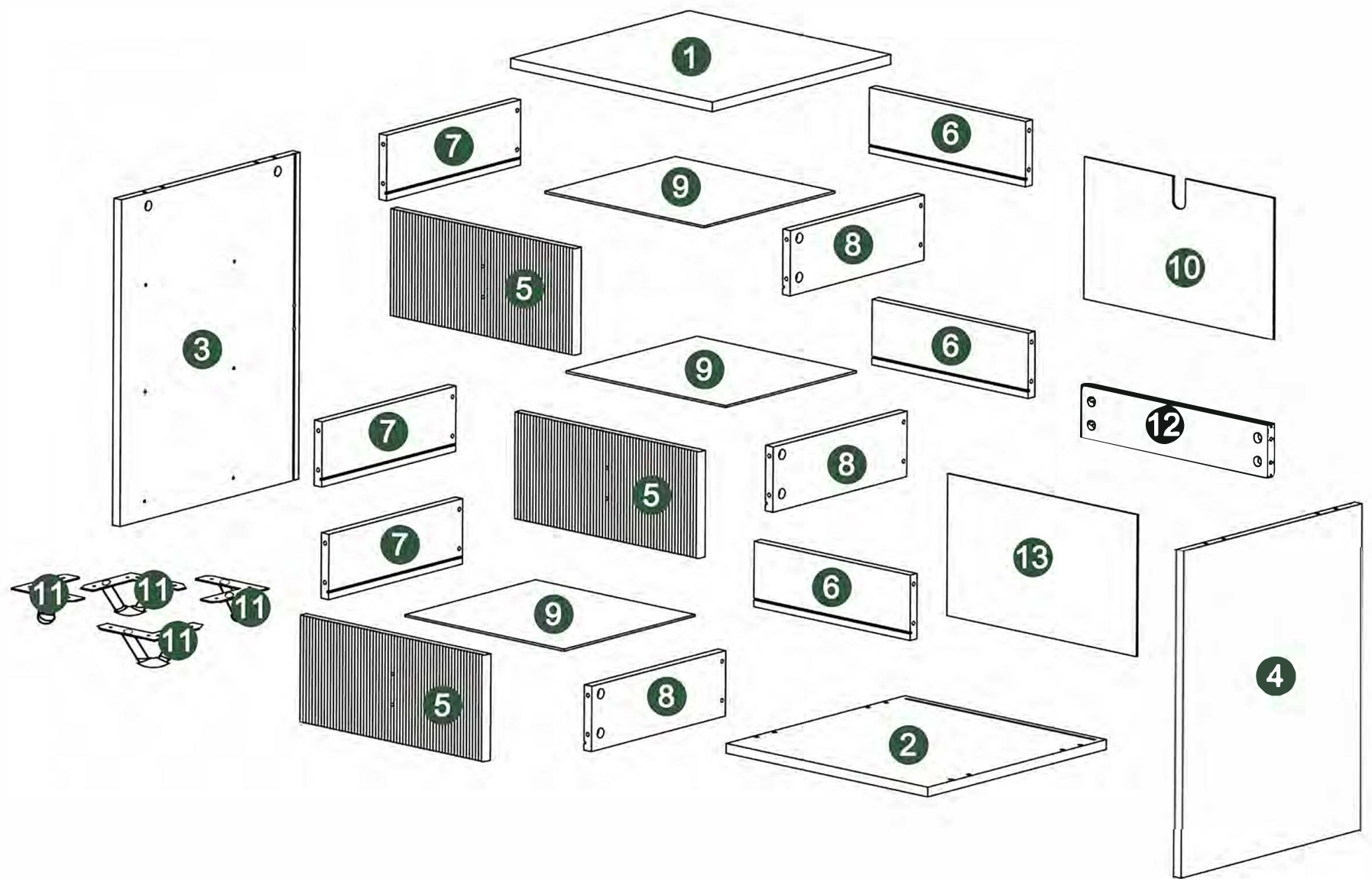


# Installation & Assembly

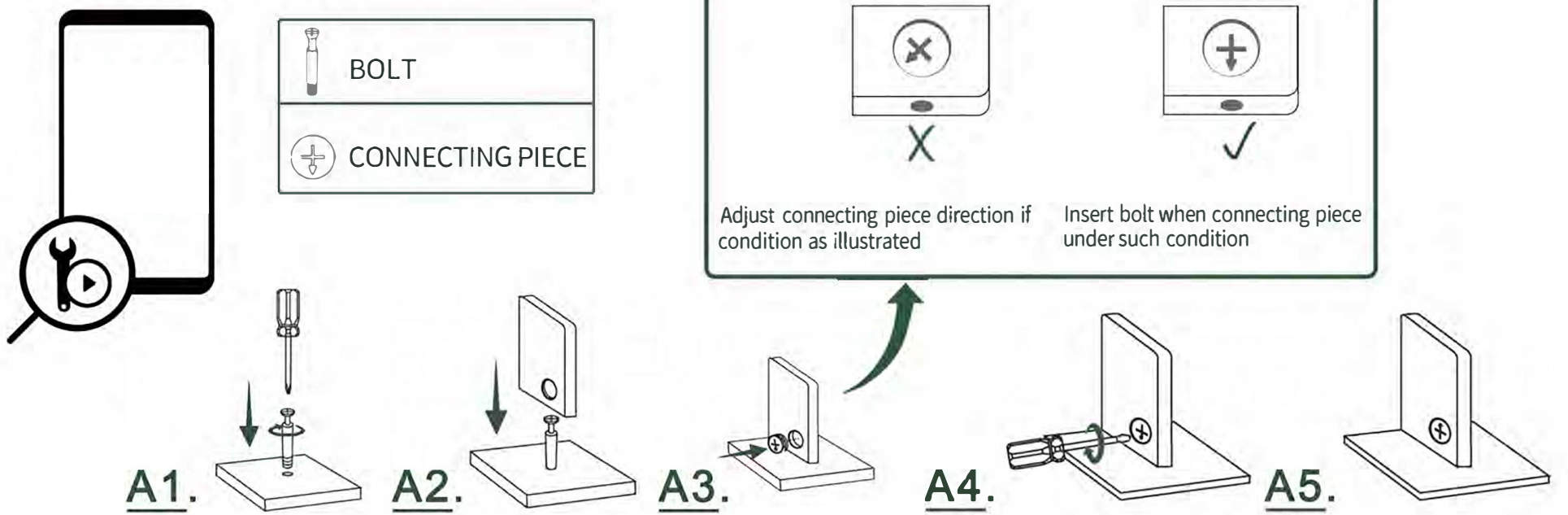


TOOLS:

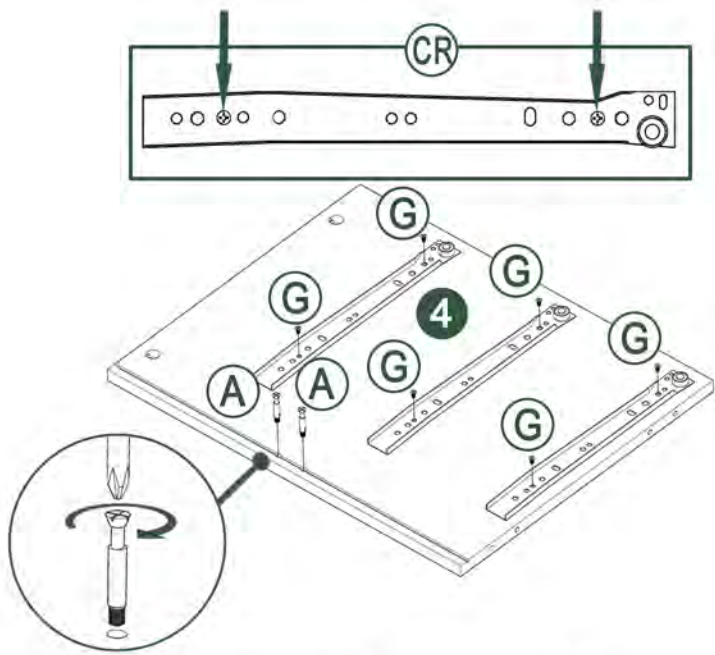




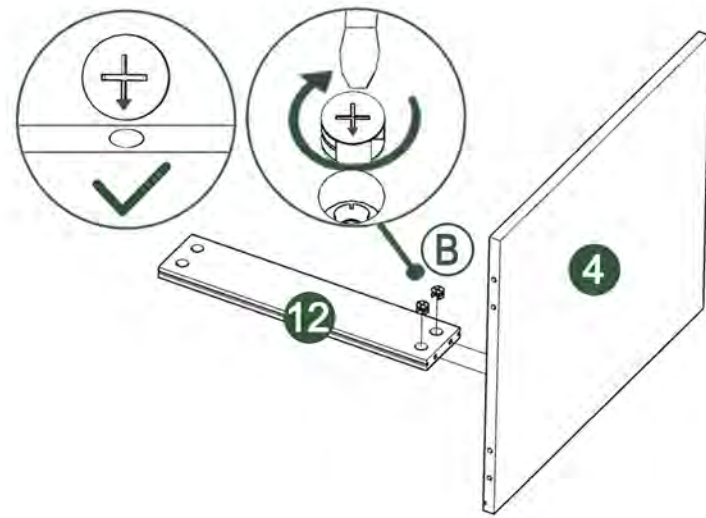
**BOLT INSTALLATION AS BELOW:**



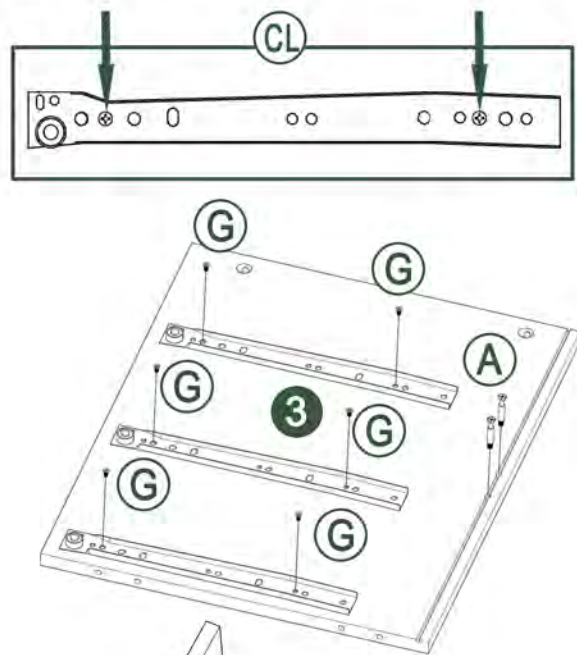
1.



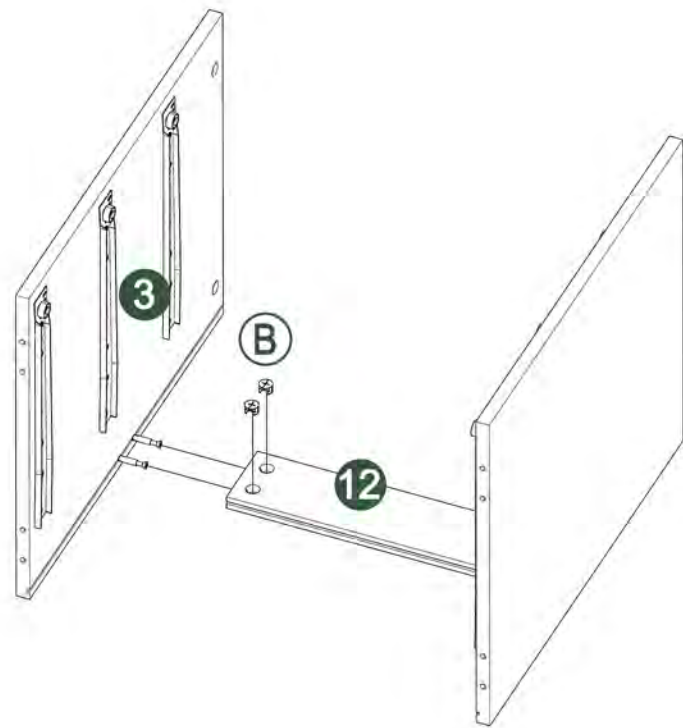
2.



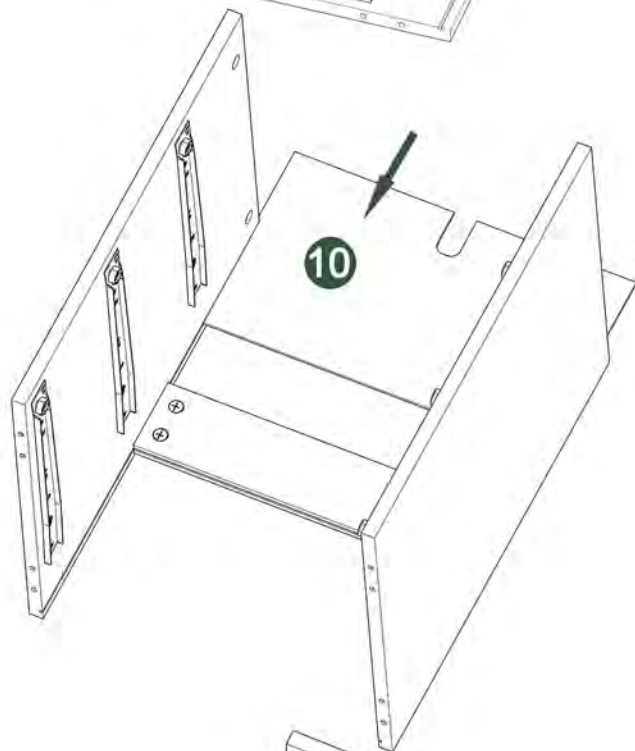
3.



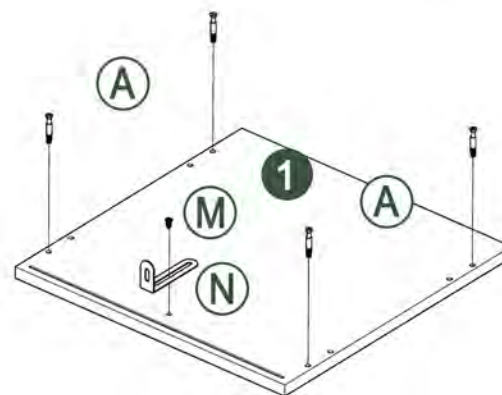
4.



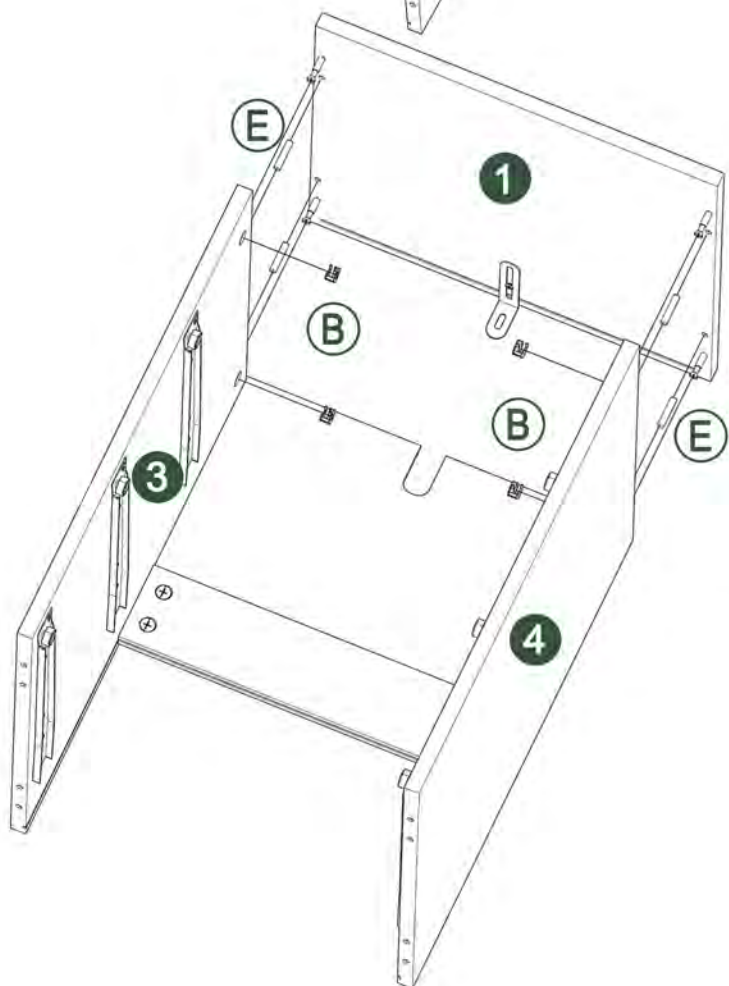
5.



6.



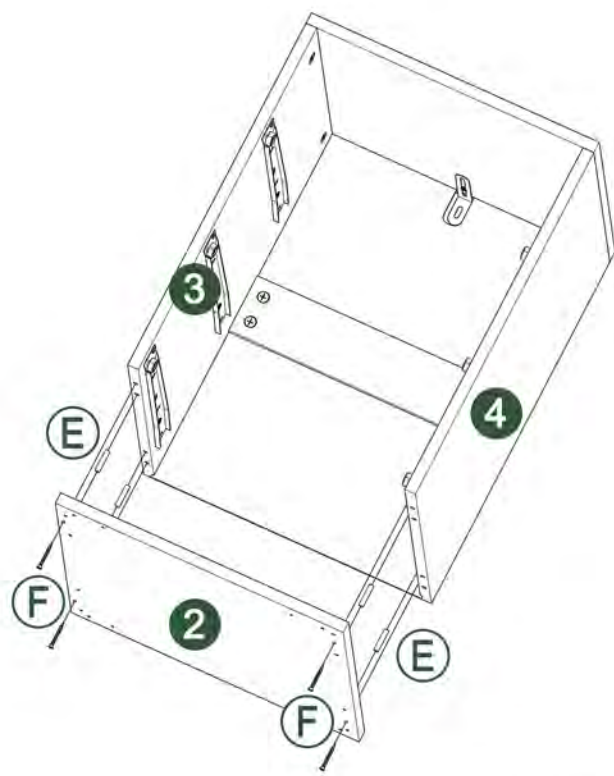
7.



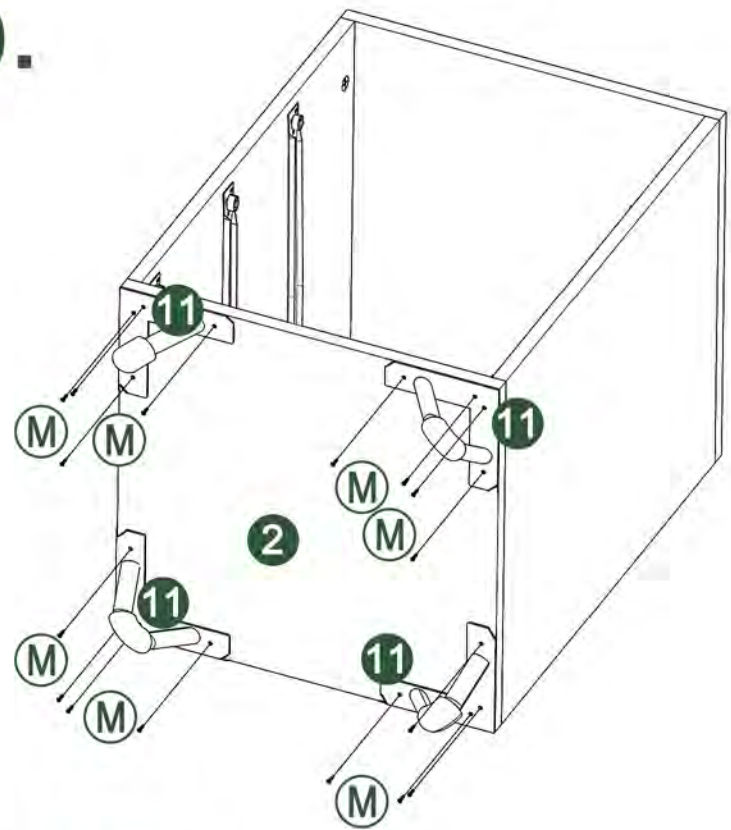
8.



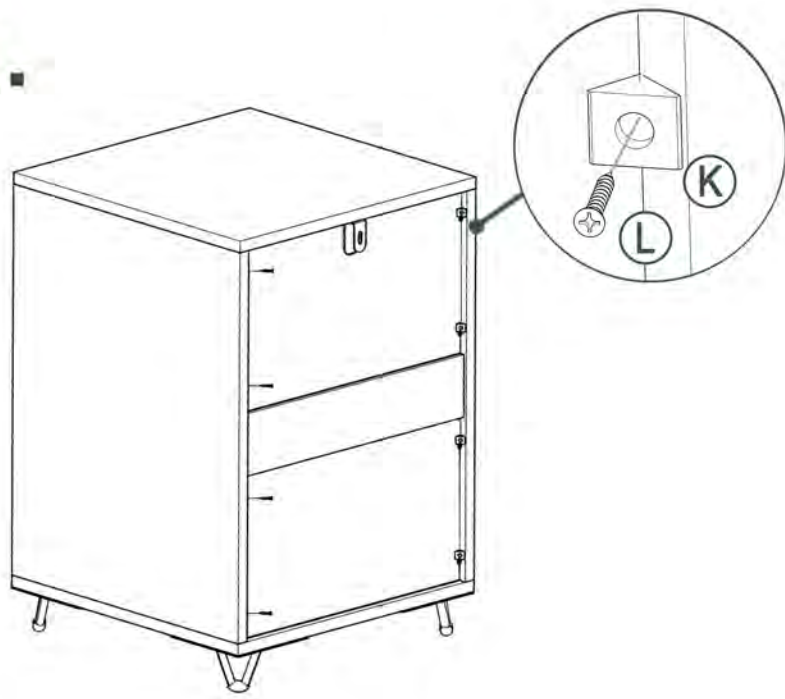
9.



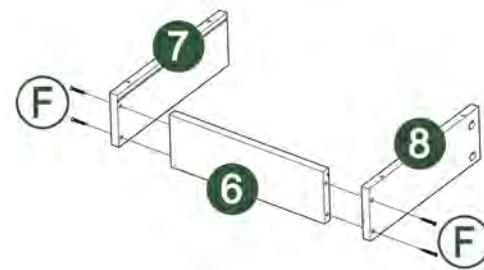
10.



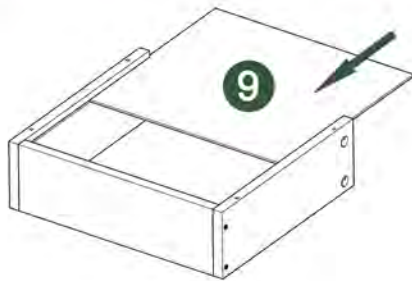
11.



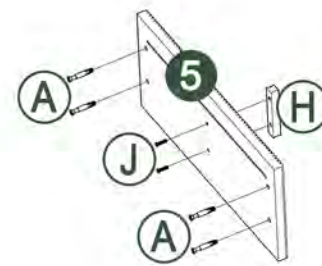
12(X3).



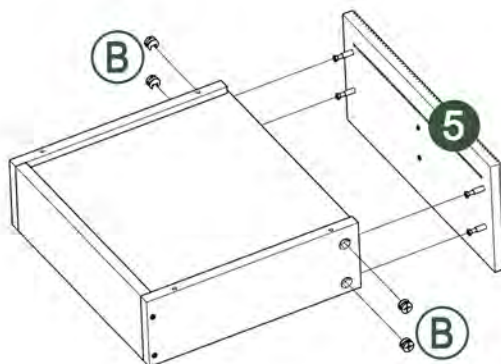
13(X3).



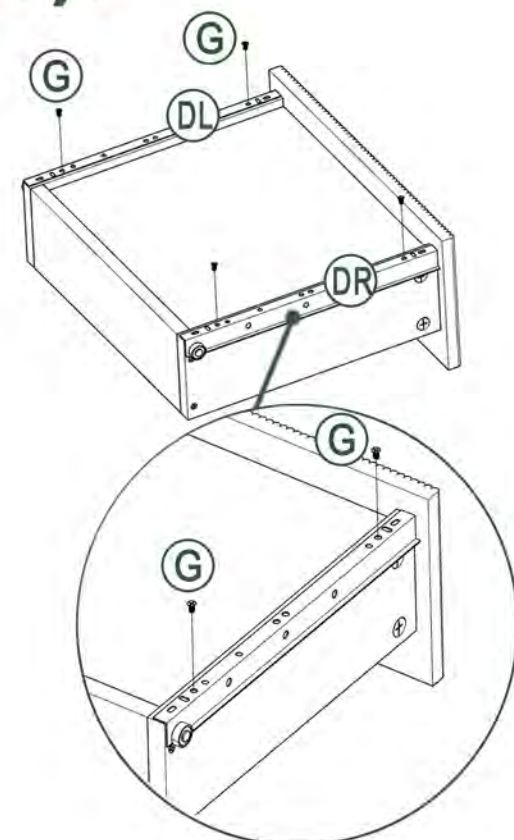
14(X3).



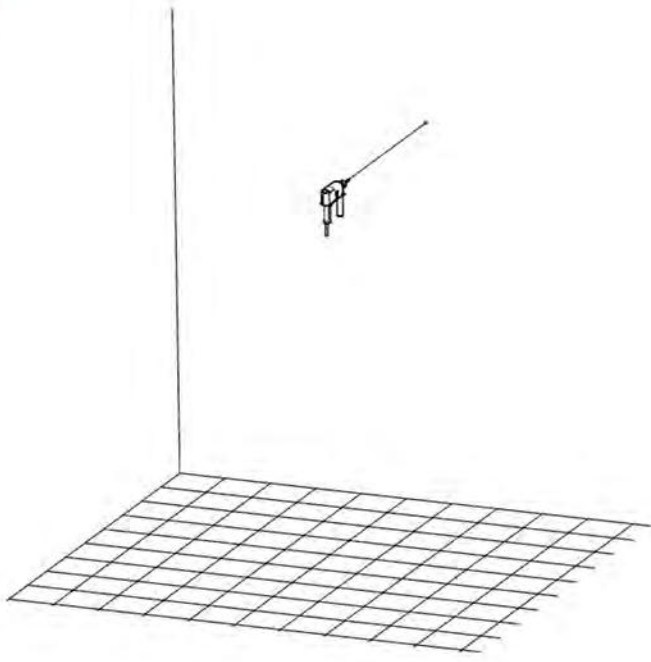
15(X3).



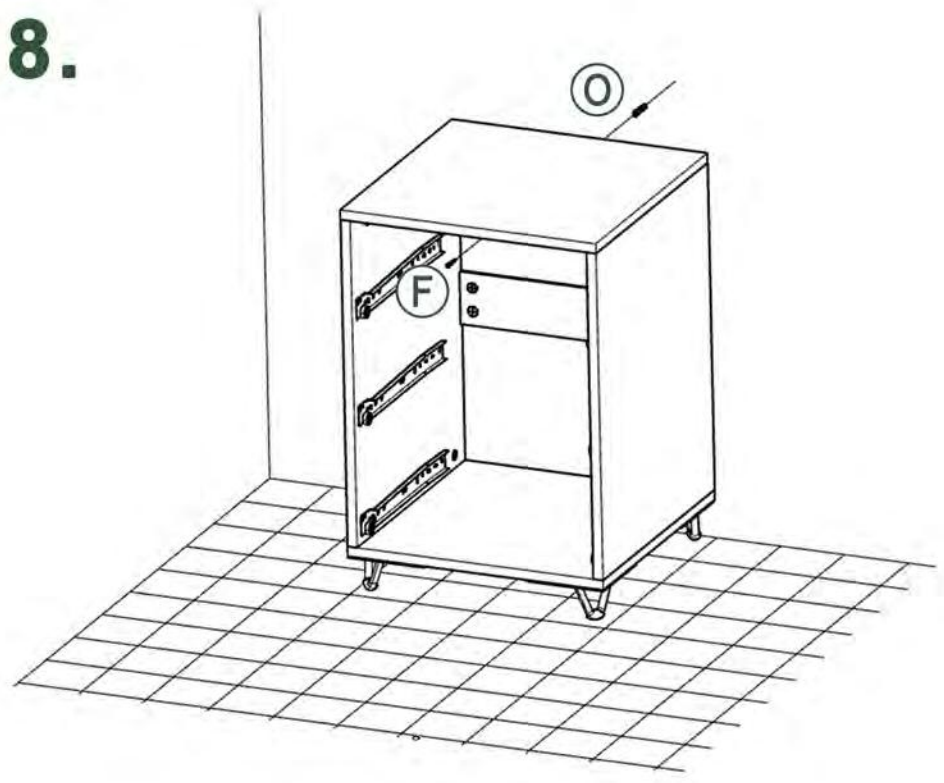
16(X3).



17.



18.



19.

